

WARING COMMERCIAL

BB190

44 oz. polycarbonate container

BB190S

32 oz. stainless steel container



013304
NSF Seal

JAR PAD MUST BE IN PLACE
BEFORE THIS BLENDER IS USED

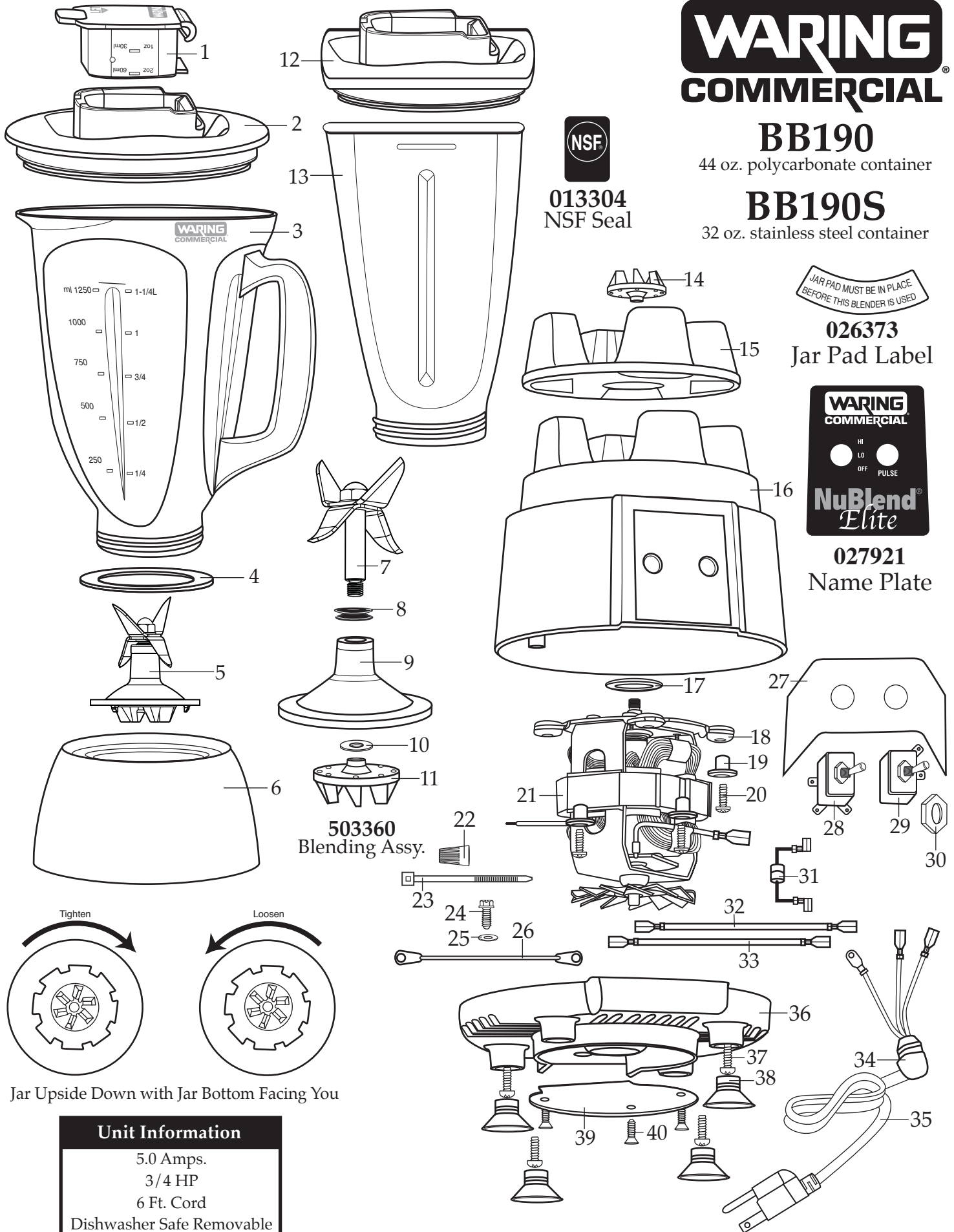
026373

Jar Pad Label

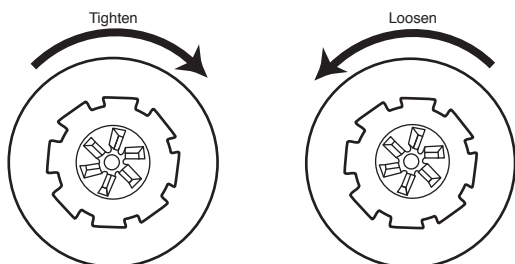


027921

Name Plate



503360
Blending Assy.



Jar Upside Down with Jar Bottom Facing You

Unit Information

5.0 Amps.
3/4 HP
6 Ft. Cord
Dishwasher Safe Removable
Rubber Jar Pad

Catalog**Model**

BB190
BB190S

BB190P
BB190S

BB190
(older units)



Illustration #	Part #	Description
1	026282	Cover Lid
2	026281	Jar Lid
3	026280	Jar / lexan 44 oz. - 5 1/2 cups
4	026284	Jar Seal
5	503360	Blending Assy.
6	026285 026786	Jar Bottom Jar Bottom (older units)
7	503354	Blade & Shaft Assy.
8	027716	V Seal
9	030427	Bearing Holder
10	030426	Washer / stainless steel
11	027097	Clutch
12	026852	Jar Cover
13	026851	Jar / stainless steel 32 oz.
14	027097	Clutch
15	028184 026785	Jar Pad Jar Pad (older units)
16	028098	Top Housing
17	026269	Upper Motor Mount
18	026841	Rubber Bushing 4 Req.'d
19	026690	Eyelet 4 Req.'d
20	026893	Screw 4 Req.'d
21	029893 027378	ECM Motor ECM Motor (older units)
22	009051	Wire Nut
23	013731	Cable Tie
24	027278 013270 002436	Screw 2 Req.'d / ground Screw / ground (older units) Screw / ground (older units)
25	002943	Lock Washer 3 Req.'d
26	502890	Ground Lead Assy.
27	026891	Insulator Sheet

Catalog

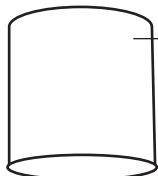
Model

BB190 BB190P
 BB190S BB190S BB190
 (older units)

Waring Factory Service Center
 314 Ella T. Grasso Ave.
 Torrington, CT 06790
 Tele. 1-800-269-6640
 Fax 860-496-9017
 www.waringproducts.com

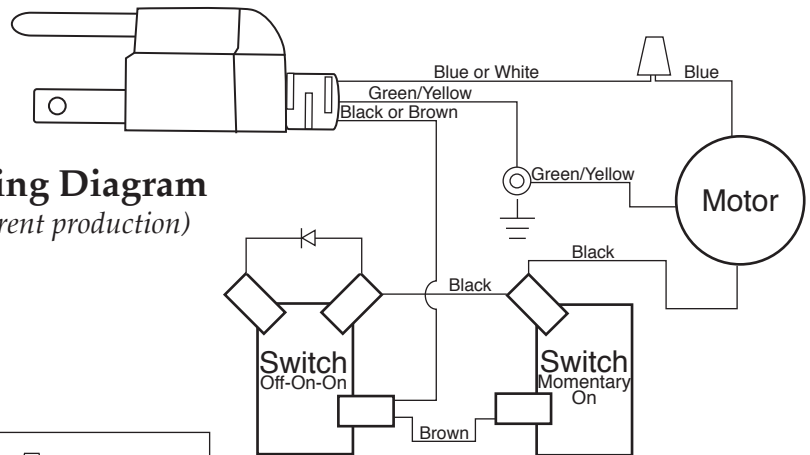
Illustration #	Part #	Description
28	029355	Switch /Hi-Low-Off
29	026982	Switch / momentary On
30	016236 015098	Hex Nut 2 Req.'d Ring Nut 2 Req.'d (older units)
31	502834	Diode Assy. (003262-diode)
32	502832	Brown Lead Assy.
33	502833	Black Lead Assy.
34	013680	Strain Relief
35	502828	Cord Set
36	028099	Bottom Housing
37	026892	Screw 4 Req.'d
38	026278	Suction Cup Foot 4 Req.'d
39	027056	Deflector
40	027054	Screw 3 Req.'d

Parts No Longer Used (limited availability)

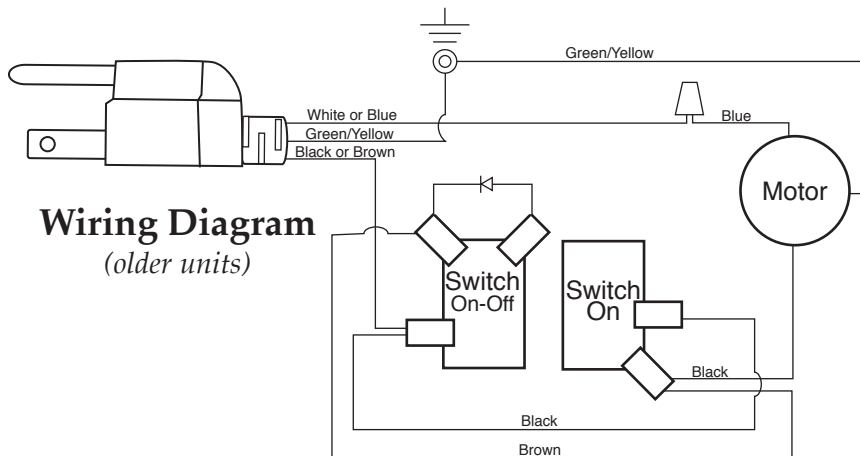


026669 - Shroud (baffle)
 (older units)

Used with 027378 motor



Wiring Diagram
 (current production)



Wiring Diagram
 (older units)