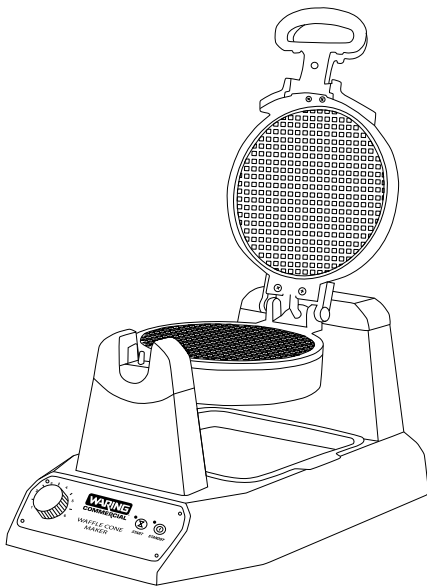


WARING[®] COMMERCIAL

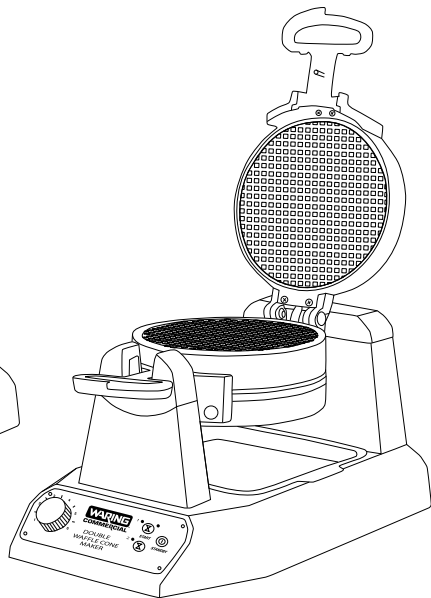
SINGLE AND DOUBLE WAFFLE CONE MAKERS

BARQUILLERA SIMPLE/DOBLE

GAUFRIER À CORNETS SIMPLE/DOUBLE



WWCM180



WWCM200

For your safety and continued enjoyment of this product,
always read the instruction book carefully before using.

Para su seguridad y para disfrutar plenamente de este producto,
siempre lea las instrucciones cuidadosamente antes de usarlo.

Afin que votre appareil vous procure en toute sécurité beaucoup de
satisfaction, lire attentivement le mode d'emploi avant de l'utiliser.

IMPORTANT SAFEGUARDS

When using electrical appliances, basic safety precautions should always be followed, including the following:

1. **READ ALL INSTRUCTIONS.**
2. **Unplug from outlet when not in use and before cleaning. Allow to cool before putting on or taking off parts, and before cleaning appliance.**
3. Do not touch hot surfaces. Use handles and knobs.
4. To protect against fire, electric shock, and injury to persons, **DO NOT IMMERSE CORD, PLUG, OR UNIT** in water or other liquids.
5. This appliance is not intended for use by persons (including children) with reduced physical, sensory or mental capabilities, or lack of experience and knowledge, unless they have been given supervision or instruction concerning use of the appliance by a person responsible for their safety.

Children should be supervised to ensure that they do not play with the appliance.

6. **Do not operate any appliance with a damaged cord or plug or after the appliance malfunctions or has been damaged in any manner. Return appliance to the nearest Waring® Authorized Service Facility for examination, repair, or adjustment.**
7. The use of accessory attachments not recommended by Waring may result in fire, electrical shock, or injury to persons.
8. Do not use outdoors, or use for other than intended use.
9. Do not let power cord hang over edge of table or counter, or touch hot surfaces.
10. Do not place on or near a hot gas or electric burner, or in a heated oven.
11. Turn knob to setting #1 and unplug the unit when finished baking waffle cones.
12. Extreme caution must be used when moving an appliance containing hot oil or other hot liquids.

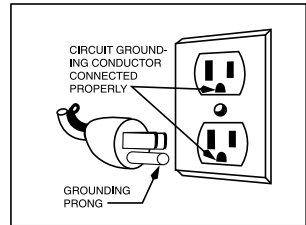
13. Always begin by plugging appliance into wall outlet.
14. **WARNING: TO REDUCE THE RISK OF FIRE OR ELECTRIC SHOCK, REPAIRS SHOULD BE MADE ONLY BY AUTHORIZED PERSONNEL. DO NOT REMOVE THE BASE PANEL. NO USER-SERVICEABLE PARTS ARE INSIDE.**
15. To acquire another instruction manual go to:
www.waringcommercialproducts.com

SAVE THESE INSTRUCTIONS

APPROVED FOR COMMERCIAL USE

GROUNDING INSTRUCTIONS

For your protection, Waring® Commercial Waffle Cone Makers are supplied with a molded 3-prong grounding-type plug and should be used in combination with a properly connected grounding-type outlet as shown in the figure.



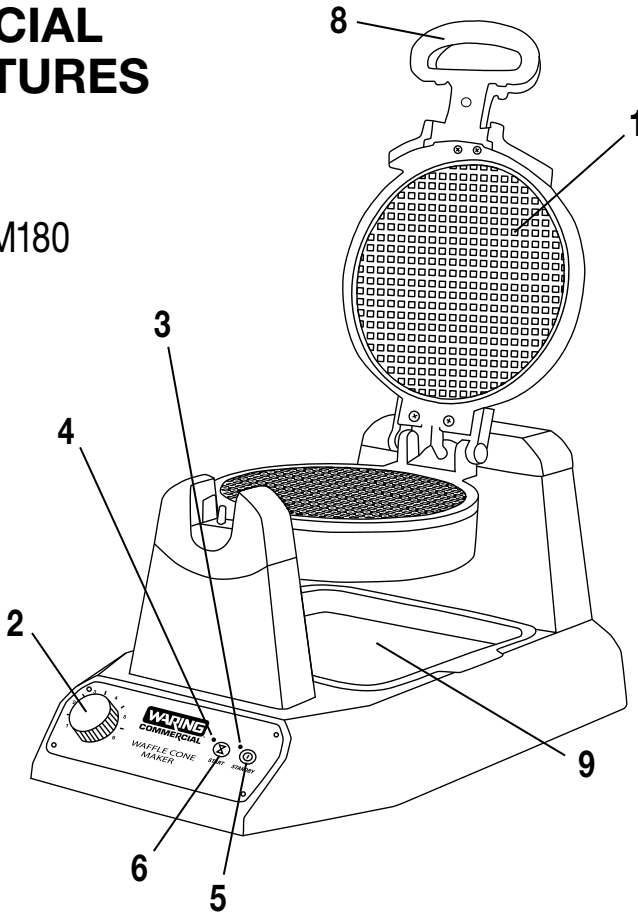
SPECIAL CORD SET INSTRUCTIONS

A short power-supply cord is provided to reduce the risks resulting from becoming entangled in or tripping over a longer cord. Longer extension cords may be used if care is exercised in their use.

If a long extension cord is used, the marked electrical rating of the extension cord should be at least as great as the electrical rating of the appliance, and the longer cord should be arranged so that it will not drape over the countertop or tabletop where it can be pulled on by children or animals, or tripped over.

SPECIAL FEATURES

WWCM180



1. Waffle Cone Grids

WWCM180 – Single grid set for making one waffle cone at a time

WWCM200 – Double grid set for making two waffle cones at a time
(only one set shown)

2. Browning Control Adjustment

– Adjustable for different batters and personal preference

3. Power Indicator Light

– Lights red when unit is on and heating up

4. Ready Indicator Lights (only 3 of 4 shown on WWCM200)

– Lights steady green when waffle cone maker is ready to bake

– Blinks green during baking cycle

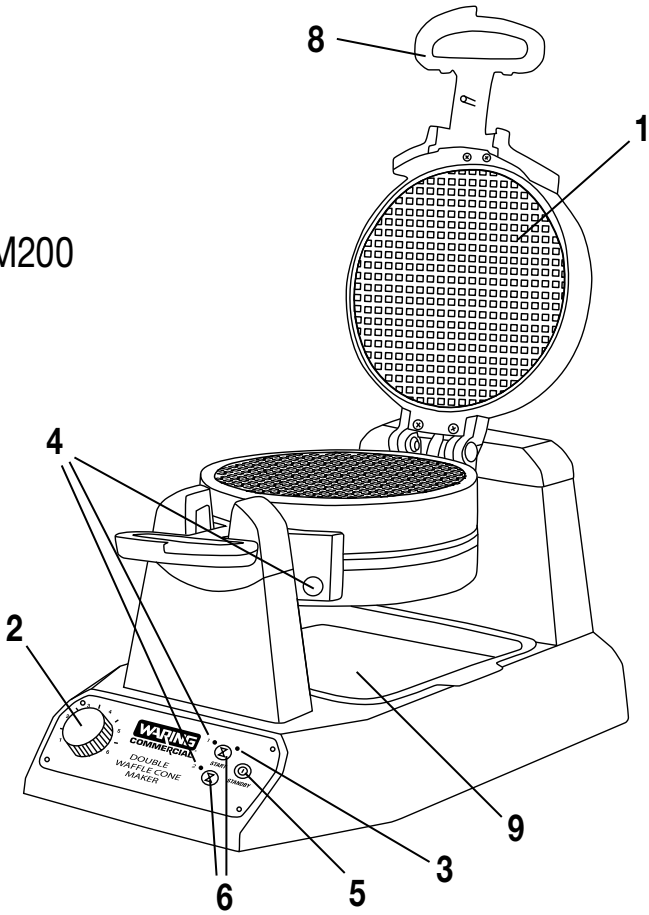
– Lights steady green after baking cycle has completed

5. STANDBY Button

6. START Buttons

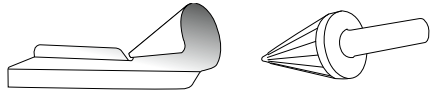
– Starts baking cycle when pressed

WWCM200

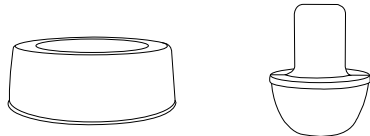


- 7. **Indicator Beeps** (not shown)
 - Will beep 6 times when unit is ready to bake first waffle cone of every baking session
 - Will beep 3 times when waffle cone is done
- 8. **Handle**
- 9. **Removable Drip Tray**

**Waffle Cone
Forming and Rolling Tools**



**Waffle Bowl Mold/Pusher
(optional accessory)**



INSTRUCTIONS FOR MAKING WAFFLE CONES

1. Before using your Waring® Commercial Waffle Cone Maker for the first time, remove any dust from shipping by wiping the plates with a damp cloth. Remove all protective paper and wrapping.
2. Plug cord into wall outlet.

NOTE: The Waring® Commercial Waffle Cone Maker has been treated with a special nonstick coating. Before the first use, it is important that you preheat the grids and then season them by brushing with cooking oil. Wipe with a paper towel or pastry brush.

Press the STANDBY button. The Power Indicator light will illuminate (red) to signal that power is on. Preheat your Waring® Commercial Waffle Cone Maker on your preferred setting. It will now begin the preheating process. This should take about 5-10 minutes. The machine will sound 6 beeps and the Ready Indicator light (green) will go on to signal the unit is ready for baking. Season the waffle cone grids by spraying with cooking spray or brushing with a flavorless oil.

NOTE: The first time you use your waffle cone maker, it may have a slight odor and may smoke a bit. This is normal, and common to heating appliances.

3. Set desired bake time using the control knob. The higher the setting, the longer the waffle cone will bake. Drop 3 tablespoons of batter in the center of the grid and close. As the grids close, the batter will spread throughout the grid to form the appropriate shape. Rotate grids 180° to lock top and bottom grid together. Press the start button (⊗) to begin the baking cycle. The GREEN LED light will blink while baking. When the baking cycle is finished, the waffle cone maker will sound three beeps and the green LED light will be steady. For best results, do not open waffle cone maker during baking process.
4. Once the waffle cone is ready and the waffle cone maker has beeped 3 times, open the lid and remove waffle cone by gently loosening the edges with a heat-proof plastic spatula. Never use metal utensils, as they may damage the nonstick coating. Remove the waffle cone completely and shape while hot.

5. With the WWCM200, one or two waffle cones can be baked at one time. For one waffle cone, simply follow previous instructions. For two waffle cones at once, pour batter into top waffle cone compartment grids, then rotate 180°. You will now be able to open the other waffle cone compartment. Pour the batter in the grids and rotate another 180° in the other direction. Once grid is closed, press the appropriate start button to begin the second baking cycle. Both waffle cones will now cook. The individual green Ready lights will illuminate when each waffle cone is ready, and when an empty compartment is ready to bake another waffle cone.

NOTE: For best results provide yourself 30 seconds in between the first and second waffle cone to allow for time to roll.

THERMAL PROTECTION

If power is lost during operation, unplug and let cool 10 minutes. plug in and continue use. Read instruction book before use.

WAFFLE CONE ROLLING DIRECTIONS

For WWCM180/WWCM200, once unit beeps and waffle cone is ready, remove hot flat waffle cone from grid and quickly roll into a cone shape before it cools, using the included cone forming and rolling tools. To roll, place the flat hot waffle cone in the forming tool, with the edge of the waffle as close to the smaller opening of the metal cone mold as possible. Insert the rolling tool fully into the larger opening of the metal cone mold and begin to rotate counterclockwise. The ribs on the rolling tool will pull the flat waffle up around the rounded area of the metal forming tool, creating a cone shape. Remove cone as soon as it reaches desired shape and hold cone in that shape until the cone cools completely. Once the cone has cooled, it will keep shape on its own. Caution: Take care during this process as the waffle cone will be hot.

CAUTION: The metal rolling tool and the flat forming tool can become extremely hot during rolling process. To limit heat exposure, follow these directions:

Place hot waffle cone on flat forming tool and line the top of the cone with the point of the cone mold as shown in figure 1.

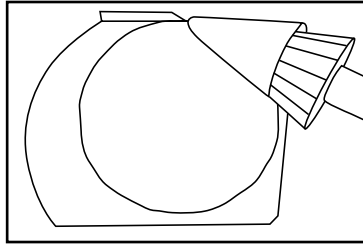


fig. 1

Press the rolling tool on the hot waffle cone and rotate counter clockwise as directed in figure 2.

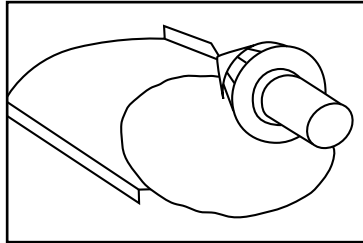


fig. 2

As you rotate apply pressure onto the hot waffle cone and feed it into the cone mold as shown in figures 3 and 4.

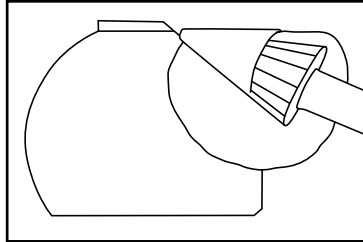


fig. 3

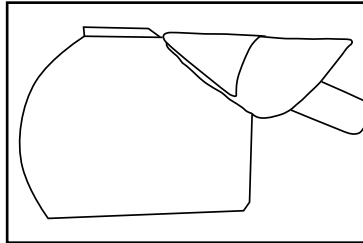


fig. 4

- Remove the rolling tool immediately after each roll.
- Remove the waffle cone from the flat forming tool as soon as it is cool enough to maintain desired shape.

HINT: To limit heat exposure on flat forming tool, have a separate container available to store cones while cooling when rolling multiple cones.

TIPS FOR MAKING PERFECT WAFFLE CONES

For evenly filled waffle cones, place the batter in the center of the lower grid and close the grid immediately. Most batters will spread out evenly with the pressure of the upper grid. If you have a very thick batter, you may need to spread the batter out a little more, very quickly, with a heat-proof spatula.

While rolling the waffle cone, concentrate on keeping the edge of the waffle nearest to the tip of the rolling tool. This will become the tip of the cone and it is best to have a sealed tip when using ice cream.

Allow waffle cones to cool completely before placing ice cream or any other filling in the cone.

INSTRUCTIONS FOR MAKING WAFFLE BOWLS

The waffle bowl mold/pusher is available as an optional accessory. It is best to create a waffle bowl immediately after the baking cycle while the flat waffle is still hot. A cool waffle bowl is difficult to create without breaking. **Caution: Take care during this process as the waffle will be hot.** Once the waffle cone maker beeps and the ready light illuminates, open the grid and remove the hot flat waffle. Place the waffle bowl mold tool on a flat surface. Center the flat waffle in the bowl mold. Gently use the pusher to push the flat waffle fully into the mold, creating a bowl. Be careful not to push so hard that you break the waffle bowl. Leave the waffle bowl like this, between the mold and the pusher, to cool for about 20 seconds. Remove the pusher and carefully remove your waffle bowl.

Once you have finished baking, press the STANDBY button and remove plug from electrical outlet. Leave top lid open and allow grids to cool before cleaning (details follow).

CLEANING AND MAINTENANCE

Once you have finished baking, press STANDBY button and remove plug from electrical outlet. Leave top lid open and allow grids to cool before cleaning.

Never take your waffle cone maker apart for cleaning. Simply brush crumbs from grooves and absorb any excess cooking oil by wiping with a dry cloth or paper towel. You may clean the grids by wiping with a damp cloth to prevent staining and sticking from batter or oil buildup.

Be certain grids have cooled completely before cleaning.

If batter adheres to plates, simply pour a little cooking oil onto the baked batter and let stand approximately 5 minutes, allowing batter to soften for easy removal.

To clean exterior, wipe with a soft dry cloth. Never use an abrasive cleanser or harsh pad. NEVER IMMERSE CORD, PLUG OR UNIT IN WATER OR OTHER LIQUIDS.

The CAC121 rolling and forming tool and CAC122 bowl mold and pusher should be hand washed only. They are not dishwasher safe.

Any other servicing should be performed by an authorized service center.

LIMITED ONE YEAR WARRANTY

Waring warrants every new Waring® Commercial Waffle Cone Maker to be free from defects in material and workmanship for a period of one year from the date of purchase when used with foodstuffs, nonabrasive liquids (other than detergents) and nonabrasive semi-liquids, providing it has not been subject to loads in excess of the indicated rating.

Under this warranty, Waring will repair or replace any part which, upon our examination, is defective in materials or workmanship, provided the product is delivered prepaid to the Waring Service Center at: 314 Ella T. Grasso Ave. Torrington, CT 06790, or any Factory Approved Service Center.

This warranty does not: a) apply to any product that has become worn, defective, damaged or broken due to use or due to repairs or servicing by other than the Waring Service Center or a Factory Approved Service Center, or due to abuse, misuse, overloading or tampering; or b) cover incidental or consequential damages of any kind.

Warning: This warranty is void if appliance is used on Direct Current (DC).



WARING COMMERCIAL
314 Ella T. Grasso Ave.
Torrington, CT 06790

MEDIDAS DE SEGURIDAD IMPORTANTES

Siempre que use aparatos eléctricos, debe tomar precauciones básicas de seguridad, incluidas las siguientes:

1. **LEA TODAS LAS INSTRUCCIONES.**
2. **Desconecte el aparato cuando no esté en uso y antes de limpiarlo. Permita que se enfríe antes de instalar o remover piezas y antes de limpiarlo.**
3. No toque las superficies calientes. Utilice el mango/asa y los botones o perillas.
4. Para reducir el riesgo de incendio, electrocución o herida, **NO SUMERJA EL CABLE, LA CLAVIJA O EL APARATO** en agua u otro líquido.
5. Los niños o las personas que carezcan de la experiencia o de los conocimientos necesarios para manipular el aparato, o aquellas cuyas capacidades físicas, sensoriales o mentales estén limitadas, no deben utilizar el aparato sin la supervisión o la dirección de una persona responsable por su seguridad.
Asegúrese de que los niños no jueguen con este aparato.
6. **No utilice este aparato si el cable o la clavija estuviesen dañados, después de que hubiese funcionado mal o que se hubiese caído o si estuviese dañado. Regrese el aparato a un centro de servicio autorizado para su revisión, reparación o ajuste.**
7. El uso de accesorios no recomendados por Waring presenta un riesgo de incendio, electrocución o herida.
8. No lo utilice en exteriores, ni para ningún otro fin que no sea el indicado.
9. No permita que el cable cuelgue del borde de la encimera o de la mesa, ni que haga contacto con superficies calientes.
10. No coloque el aparato sobre o cerca de un quemador a gas o una hornilla eléctrica caliente, ni en un horno caliente.
11. Ponga el control de temperatura en la posición "1" y desconecte el aparato después de cada uso.

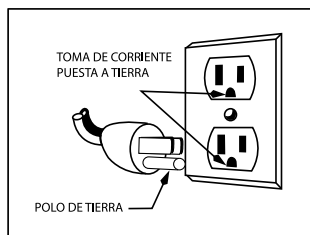
12. Tenga sumo cuidado al mover un aparato que contenga aceite u otros líquidos calientes.
13. Siempre conecte el cable a la toma de corriente antes de encender el aparato.
14. **ADVERTENCIA: PARA REDUCIR EL RIESGO DE INCENDIO O ELECTROCUCIÓN, LAS REPARACIONES DEBEN SER REALIZADAS POR UN TÉCNICO CALIFICADO. NO DESARME EL APARATO. ESTE APARATO NO CONTIENE PIEZAS QUE PUEDAN SER REPARADAS POR EL USUARIO.**
15. Para conseguir una copia de este manual de instrucciones, visite **www.waringcommercialproducts.com**

GUARDE ESTAS INSTRUCCIONES

APROBADO PARA USO COMERCIAL

INSTRUCCIONES DE PUESTA A TIERRA

Para su protección, el cable de su aparato está dotado de un enchufe con puesta a tierra, el cual debe ser conectado a una toma de corriente debidamente puesta a tierra.



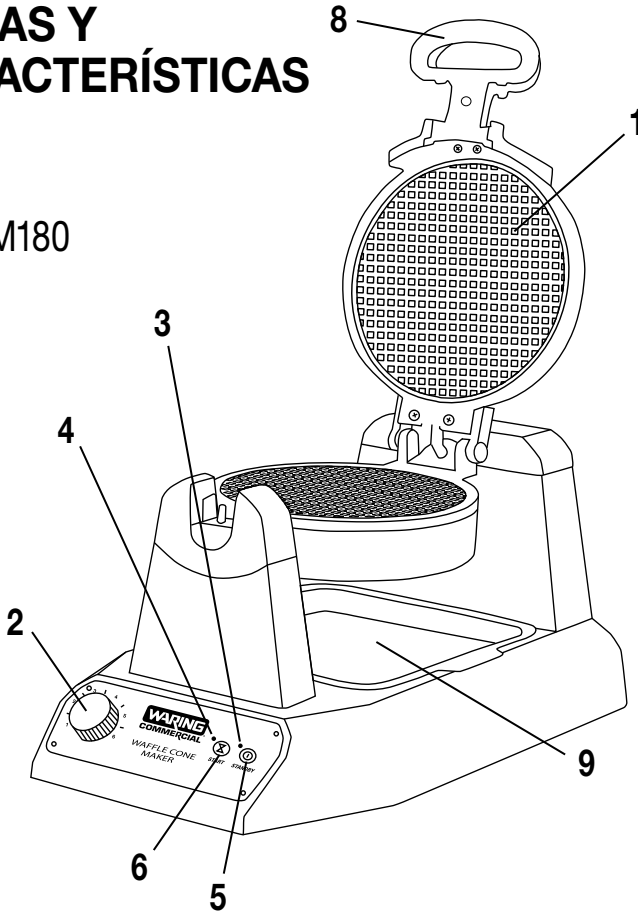
USO DE EXTENSIONES

El cable provisto con este aparato es corto para reducir el peligro de que alguien se enganche o tropiece con un cable más largo. Se podrá usar una extensión eléctrica, siempre que respete las precauciones siguientes.

La clasificación nominal de la extensión debe ser por lo menos igual a la del aparato. Es importante colocar la extensión sobre la encimera o la mesa de tal forma que niños o animales no puedan jalarla o tropezar con ella.

PIEZAS Y CARACTERÍSTICAS

WWCM180



1. Placas para barquillos

WWCM180 – Un juego de placas, para preparar un barquillo a la vez

WWCM200 – Dos juegos de placas, para preparar dos barquillos a la vez (solamente un juego ilustrado)

2. Control de temperatura variable

– Ajuste la temperatura según la mezcla o al gusto

3. Luz de encendido

– La luz roja indica que el aparato está bajo tensión y calentando

4. Luces de "listo" (sólo 3 de 4 luces se ilustran sobre el modelo WWCM200)

– La luz verde indica que el aparato está listo para cocer

– La luz verde parpadea durante la cocción

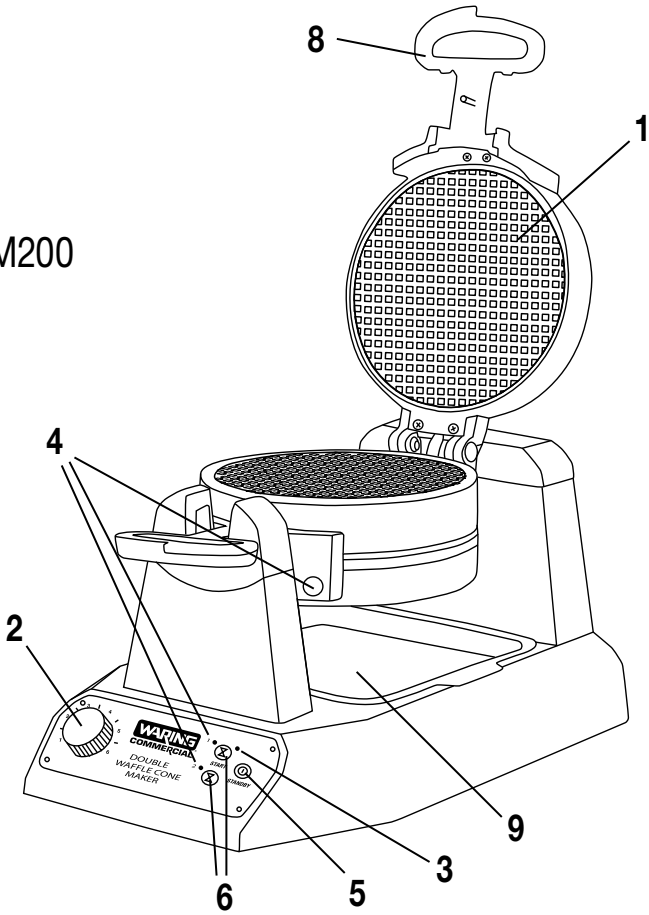
– La luz verde permanece encendida al final del ciclo de cocción

5. Botón "STANDBY"

6. Botón "START"

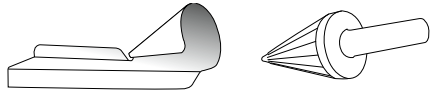
– Inicia el proceso de cocción

WWCM200

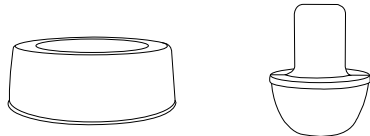


7. **Señales sonoras** (no ilustradas)
 - El aparato emite 6 pitidos cuando está listo para cocer (primer barquillo solamente)
 - El aparato emite 3 pitidos cuando el barquillo está listo
8. **Asa**
9. **Cubeta de goteo removible**

Molde para barquillos y cono formador



Molde para tulipas y empujador
(accesorio opcionales)




INSTRUCCIONES PARA PREPARAR BARQUILLOS

1. Antes de usar el aparato por primera vez, limpie las placas con un paño ligeramente húmedo para quitar el polvo acumulado durante el transporte. Retire el material de embalaje y protección.
2. Enchufe el cable en una toma de corriente.

NOTA: Las placas de las barquilleras Waring® Commercial están cubiertas con un revestimiento antiadherente. Sin embargo, antes del primer uso, es importante que precaliente las placas y luego las engrase con aceite vegetal. Distribuya el aceite con una toallita de papel o una brocha.

Oprima el botón "STANDBY". La luz de encendido (roja) se encenderá, lo que indica que el aparato está bajo tensión. Elija el nivel de temperatura deseado. El aparato empezará a calentar. Esto debería demorar aproximadamente 5-10 minutos. Cuando esté listo, la luz de listo (verde) se encenderá y el aparato emitirá 6 pitidos. Rocíe spray vegetal o cepille aceite vegetal sobre las placas.

NOTA: Puede que el aparato produzca humo y un ligero olor a quemado la primera vez que lo use. Esto es normal.

3. Usando la perilla de control de temperatura, fije el tiempo de cocción deseado. Mientras mayor sea el ajuste de temperatura, mayor será en tiempo de cocción. Vierta 3 cucharadas (45 ml) de mezcla en el centro de la placa y cierre las placas. La mezcla se esparcirá uniformemente al cerrar las placas. Gire las placas 180° para cerrarlas bien y bloquearlas. Oprima el botón  para iniciar el ciclo de cocción. El indicador luminoso VERDE parpadeará durante la cocción. Cuando el ciclo de cocción haya terminado, el aparato emitirá 3 pitidos y el indicador luminoso verde permanecerá encendido. Para lograr resultados óptimos, no abra el aparato hasta que el barquillo esté listo.
4. Después de que el barquillo esté listo y el aparato haya emitido los 3 pitidos, abra las placas y retire el barquillo soltando los bordes con una espátula a prueba de calor. Nunca utilice utensilios de metal. Esto podría dañar el revestimiento antiadherente de las placas. Retire el barquillo y dele forma mientras esté caliente.

5. El modelo WWCM200 permite preparar dos barquillos al mismo tiempo. Para preparar solamente un barquillo, siga las instrucciones anteriores. Para preparar dos barquillos al mismo tiempo, vierta la mezcla en el centro de la primera placa, cierre las placas y gírelas 180°. Luego, abra el otro lado. Vierta la mezcla sobre la otra placa, cierre y gire 180° en la dirección opuesta. Oprima el botón "START" correspondiente para iniciar el segundo ciclo de cocción. Los dos barquillos se cocerán simultáneamente. Los indicadores luminosos verdes se encenderán cuando los barquillos estén listos, y también cuando las placas estén listas para preparar los barquillos siguientes.

NOTA: Para resultados óptimos, deje un lapso de 30 segundos entre el primer y segundo barquillo para que tenga tiempo de formar los barquillos.

DISPOSITIVO DE PROTECCIÓN TÉRMICA

Si el aparato se apaga durante el uso, desconéctelo y permita que se enfríe durante 10 minutos antes de continuar. Lea atentamente el modo de empleo antes del primer uso.

CÓMO FORMAR BARQUILLOS

Modelos WWCM180/WWCM200: retire el barquillo de la placa al final de la cocción y forme el barquillo rápidamente, antes de que se enfríe, usando el molde para barquillos y el cono formador incluidos. Coloque el barquillo plano y caliente sobre la parte plana del molde, con el borde del barquillo lo más cerca posible de la abertura más pequeña del cono de metal. Introduzca completamente el cono formador adentro del cono del molde y gire en sentido antihorario. Las ranuras del cono formador guiarán el gofre adentro del molde para darle forma. Dada la forma deseada, retire el barquillo y mantenga su forma hasta que se enfríe completamente. Una vez frío, el barquillo no perderá su forma. Precaución: Tenga cuidado, puesto que el barquillo estará caliente durante el proceso.

PRECAUCIÓN: El molde para barquillos y el cono formador pueden ponerse muy calientes durante el proceso de enrollado. Para limitar la exposición al calor:

Coloque el barquillo plano y caliente sobre la parte plana del molde, con el borde del barquillo contra de la punta del cono.

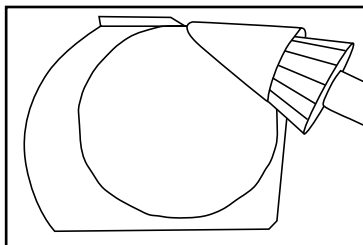


Fig. 1

Presione el barquillo caliente con el cono y gire éste en sentido antihorario (Fig. 2).

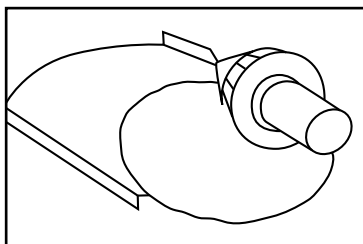


Fig. 2

Siga presionando el barquillo caliente mientras da vuelta (Fig. 3 y 4).

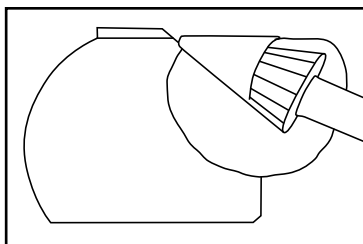


Fig. 3

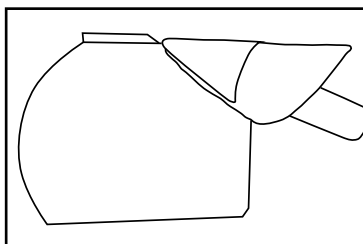


Fig. 4

- Retire el cono formador inmediatamente después de enrollar un barquillo.
- Retire el barquillo del molde apenas haya enfriado lo suficiente como para mantener su forma.

CONSEJO: Para limitar la exposición al calor del molde, cuando vaya a preparar varios barquillos, tenga un recipiente por separado para colocar los barquillos mientras se enfrían.

CONSEJOS PARA PREPARAR BARQUILLOS PERFECTOS

Para conseguir resultados homogéneos, vierta la mezcla en el centro de la placa y cierre las placas inmediatamente. Por lo general, la mezcla se esparcirá uniformemente con el peso de la placa superior. Sin embargo, si la mezcla es muy espesa, puede esparcirla (muy rápidamente) con una espátula a prueba de calor.

Cuando enrolle el barquillo, procure mantener la punta del cono formador lo más cerca posible del borde del barquillo. Esto sellará la punta del barquillo y mantendrá el helado derretido adentro del mismo.

Permita que los barquillos enfríen completamente antes de usarlos.

INSTRUCCIONES PARA PREPARAR TULIPAS DE BARQUILLO

El molde para tulipas y el empujador son accesorios opcionales. Forme la tulipa inmediatamente después de finalizar el ciclo de cocción, mientras el gofre esté aún caliente; los gofres fríos suelen romperse. **Precaución: Tenga cuidado, puesto que el gofre estará caliente.** Retire el gofre de la placa al final de la cocción. Ponga el molde para tulipas sobre una superficie plana. Coloque el gofre en el centro del molde. Empuje suavemente el gofre con el empujador. Tenga cuidado de no presionar mucho; esto podría romper el gofre. Permita que la tulipa enfríe, entre el molde y el empujador, durante aproximadamente 20 segundos. Alce el empujador y retire delicadamente la tulipa.

Después de terminar, presione el botón "STANDBY" y desconecte el aparato de la toma de corriente. Abra las placas y permita que se enfríen antes de limpiarlas (véase las instrucciones de limpieza a continuación).

LIMPIEZA Y MANTENIMIENTO

Después de terminar, presione el botón "STANDBY" y desconecte el aparato de la toma de corriente. Abra las placas y permita que se enfríen antes de limpiarlas.

Nunca desarme el aparato para limpiarlo. Elimine los residuos de las placas con una brocha y absorba el aceite con un papel absorbente o un paño seco. Limpie las placas con un paño ligeramente húmedo, si desea, para eliminar y prevenir las manchas y los residuos pegajosos.

Verifique que las placas estén completamente frías antes de limpiarlas.

Si hay mezcla pegada sobre las placas, vierta un poco de aceite encima y espere durante aproximadamente 5 minutos. Esto remojará la mezcla seca para facilitar la limpieza.

Limpie el cuerpo del aparato con un paño suave seco. Nunca utilice limpiadores abrasivos ni estropajos metálicos. **NUNCA SUMERJA EL CABLE, LA CLAVIJA O EL APARATO EN AGUA U OTRO LÍQUIDO.**

El molde para barquillos y el cono formador (CAC121) y el molde para tulipas y el empujador (CAC122) deben lavarse a mano solamente. No son aptos para lavavajillas.

Cualquier otro servicio debe ser realizado por un técnico autorizado.

GARANTÍA LIMITADA DE UN AÑO

Waring garantiza toda nueva gofrera/barquillera Waring® Commercial contra todo defecto de materiales o fabricación durante un año a partir de la fecha de compra, siempre que haya sido usada con alimentos, líquidos no abrasivos (a excepción de detergentes) y semi-líquidos no abrasivos, y que no haya sido sujeta a cargas que excedan su máxima capacidad.

Bajo esta garantía, Waring reparará o reemplazará toda pieza que, tras estar inspeccionada por nuestro servicio posventa, demuestre defectos de materiales o fabricación, siempre que el producto se entregue con franqueo pagado a:

314 Ella T. Grasso Ave. Torrington, CT 06790, o a cualquier servicio postventa aprobado.

Esta garantía: a) no se aplica a ningún producto desgastado, defectuoso, dañado o roto debido a uso, reparaciones/servicio realizados por personas no autorizadas, o abuso, mal uso, sobrecarga o daños intencionales; b) no cubre daños incidentales o consecuentes de ningún tipo.

Advertencia: El utilizar este aparato con corriente continua (C.C.) invalidará la garantía.



WARING COMMERCIAL
314 Ella T. Grasso Ave.
Torrington, CT 06790

IMPORTANTES CONSIGNES DE SÉCURITÉ

L'utilisation d'appareils électriques requiert la prise de précautions élémentaires, parmi lesquelles les suivantes :

1. **LIRE TOUTES LES INSTRUCTIONS.**
2. **Débrancher l'appareil lorsque vous ne l'utilisez pas et avant de le nettoyer. Le laisser refroidir avant toute manipulation ou entretien.**
3. Ne pas toucher les surfaces chaudes. Utiliser les poignées ou les boutons.
4. Afin de réduire le risque d'incendie, d'électrocution ou de blessures, **NE PAS PLONGER LE CORDON, LA PRISE OU L'APPAREIL** dans l'eau ou tout autre liquide.
5. Cet appareil ne devrait pas être utilisé par des enfants ou des personnes souffrant d'un handicap physique, mental ou sensoriel, ou qui ne disposent pas des connaissances ou de l'expérience nécessaires, à moins qu'une personne responsable de leur sécurité leur en ait expliqué le fonctionnement ou les encadre.

Il convient de surveiller les enfants afin de s'assurer qu'ils ne jouent pas avec l'appareil.
6. **Ne pas utiliser l'appareil si le cordon d'alimentation ou la fiche sont endommagés, s'il ne fonctionne pas correctement, s'il est tombé ou s'il est abîmé. Envoyer l'appareil à un service après-vente autorisé afin qu'il soit inspecté, réparé ou réglé au besoin.**
7. L'utilisation d'accessoires non recommandés par le fabricant peut présenter un risque d'incendie, d'électrocution ou de blessure.
8. Ne pas utiliser cet appareil à l'air libre ou à des fins autres que celles pour lesquelles il a été conçu.
9. Ne pas laisser le cordon pendre au bord d'une table ou d'un plan de travail, ni entrer en contact avec des surfaces chaudes.
10. Ne pas mettre l'appareil sur ou à proximité d'une plaque à gaz ou électrique, ni dans un four chaud.

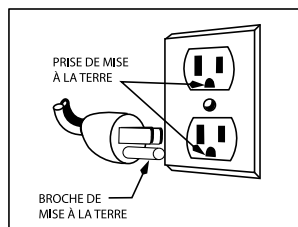
11. Placer le cadran de réglage de température sur "1" et débrancher l'appareil après usage.
12. Faire particulièrement attention lorsque vous déplacez un appareil qui contient de l'huile ou autre liquide chaud.
13. Brancher l'appareil avant de l'allumer.
14. **AVERTISSEMENT : AFIN DE PRÉVENIR LES RISQUES D'INCENDIE OU D'ÉLECTROCUTION, TOUTE RÉPARATION DOIT ÊTRE EFFECTUÉE PAR UN TECHNICIEN AUTORISÉ. NE PAS DÉMONTER LE BOÎTIER. CET APPAREIL NE CONTIENT AUCUNE PIÈCE POUVANT ÊTRE RÉPARÉE PAR L'UTILISATEUR.**
15. Pour obtenir une copie de ce manuel d'instructions, visiter : www.waringcommercialproducts.com

GARDER CES INSTRUCTIONS

USAGE COMMERCIAL AUTORISÉ

INSTRUCTIONS DE MISE À LA TERRE

Pour votre protection, les gaufriers/ gaufriers à cornets Waring® Commercial sont équipés d'une fiche à trois broches. Cette fiche doit être branchée dans une prise de terre correctement configurée (voir illustration ci-contre).



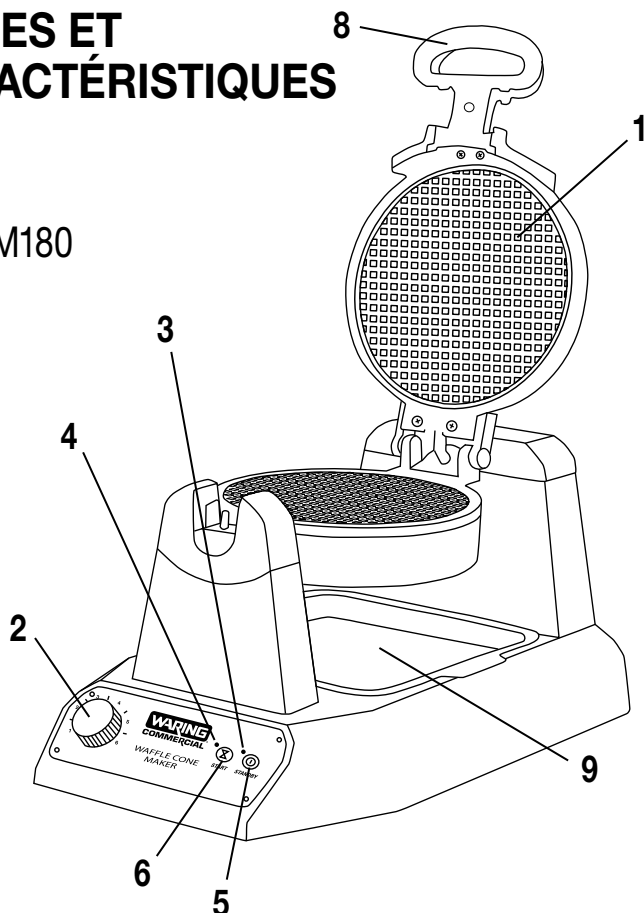
UTILISATION DE RALLONGES ÉLECTRIQUES

Pour des raisons de sécurité, cet appareil est équipé d'un cordon d'alimentation court. Une rallonge électrique pourra être utilisée au besoin, pourvu que les précautions suivantes soient prises.

Veillez à ce que les spécifications électriques de la rallonge soient au moins égales à celles de l'appareil, ne la laissez pas pendre au bord d'une table ou d'un plan de travail et veillez à ce qu'elle soit placée de telle manière qu'un enfant ou un animal ne puisse pas y trébucher ou la tirer.

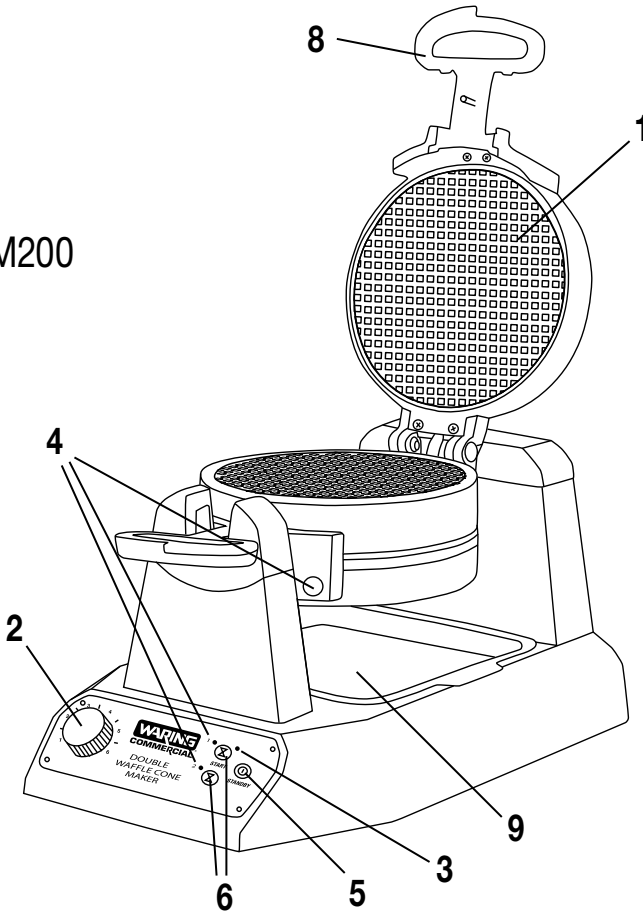
PIÈCES ET CARACTÉRISTIQUES

WWCM180



- 1. Plaques à cornets**
WWCM180 – Un jeu de plaques, pour préparer un cornet à la fois
WWCM200 – Deux jeux de plaques, pour préparer deux cornets à la fois (un seul jeu montré ci-dessous)
- 2. Contrôle de température**
– Variable selon le type de pâte et les goûts personnels
- 3. Voyant d'alimentation**
– (rouge) Indique que le gaufrier chauffe
- 4. Voyants de préchauffage (verts) (3 voyants sur 4 illustrés sur le modèle WWCM200)**
– S'allument quand que le gaufrier est prêt
– Clignotent pendant la cuisson
– S'arrêtent de clignoter et restent allumés une fois le cycle de cuisson terminé
- 5. Bouton STANDBY**

WWCM200



- 6. **Bouton START**
 - Démarre le cycle de cuisson
- 7. **Indicateur sonore** (non illustrés)
 - Sonne 6 fois une fois que l'appareil est prêt
 - Sonne 3 fois pour indiquer que la gaufre est cuite
- 8. **Poignée**
- 9. **Bac amovible**

Moule et cône à cornets



Moule à tulipes et pilon
(en option)




PRÉPARATION DE CORNETS

1. Avant d'utiliser l'appareil pour la première fois, essuyer les plaques de cuisson à l'aide d'un linge humide afin d'éliminer la poussière accumulée pendant le transport. Retirer le matériel de protection et d'emballage.
2. Brancher l'appareil dans une prise électrique.

REMARQUE : Les plaques des gaufriers à cornets Waring® Commercial sont recouvertes d'un revêtement antiadhésif. Toutefois, il est conseillé de préchauffer l'appareil et de graisser les plaques avant la première utilisation, en les badigeonnant d'huile. Essuyer à l'aide d'une serviette en papier ou d'un pinceau à pâtisserie.

Appuyer sur le bouton STANDBY. Le voyant lumineux de mise sous tension (rouge) s'allumera. Choisir le réglage de température désiré. L'appareil commencera à chauffer. Cela devrait prendre environ 5-10 minutes. Une fois prêt, le voyant de préchauffage (vert) s'allumera et l'appareil sonnera 6 fois. Graisser les plaques à l'aide d'un aérosol de cuisson ou d'huile.

REMARQUE : Il se peut que le gaufrier fume et émette une légère odeur lors de la première utilisation. Cela est tout à fait normal.

3. Régler le temps de cuisson à l'aide du bouton de commande. Plus le réglage est élevé, plus la cuisson sera longue. Verser 3 cuillerées à table de pâte au centre de la plaque et fermer. La pâte se répandra d'elle même. Faire tourner les plaques de 180° pour verrouiller les plaques supérieure et inférieure ensemble. Appuyer sur le bouton  pour commencer la cuisson. Le voyant DEL VERT clignotera pendant la cuisson. En fin de cuisson, le gaufrier sonnera 3 fois et le voyant vert arrêtera de clignoter et restera allumé. Ne pas ouvrir le gaufrier pendant la cuisson.
4. Après le signal de fin de cuisson, ouvrir et retirer la gaufre en décollant les bords à l'aide d'une spatule thermorésistante. Ne jamais utiliser d'ustensiles en métal. Cela pourrait abîmer le revêtement antiadhésif des plaques. Retirer la gaufre et lui donner forme pendant qu'elle est chaude.

5. Le modèle WWCM200 permet de préparer deux cornets à la fois. Pour préparer un seul cornet, suivre les instructions ci-dessus. Pour préparer deux cornets : verser la pâte au centre de la première plaque, fermer et tourner les plaques de 180°. Ouvrir l'autre côté. Verser la pâte sur la plaque, fermer puis tourner de 180° dans l'autre sens. Une fois la plaque fermée, appuyer sur le bouton START approprié pour lancer le second cycle de cuisson. Les deux cornets cuiront en même temps. Le voyant de mise à température (vert) de chaque plaque s'allumera pour indiquer que le gaufrier est prêt, puis plus tard pour indiquer que la gaufre est cuite.

REMARQUE : Pour un résultat optimal, prévoir 30 secondes entre la première et la seconde gaufre pour avoir le temps de la rouler.

DISPOSITIF DE PROTECTION ANTI-SURCHAUFFE

En cas d'arrêt soudain pendant l'utilisation, débrancher l'appareil et le laisser refroidir pendant 10 minutes avant de continuer. Lire attentivement le mode d'emploi avant la première utilisation.

COMMENT FORMER LES CORNETS

Sur les modèles WWCM180/WWCM200 : après le signal de fin de cuisson, décoller la gaufre chaude de la plaque et former le cornet sans attendre, en utilisant le cône et le moule à cornets inclus. Pour rouler, poser la gaufre chaude sur le moule, le bord le plus près possible de la petite ouverture du cône en métal. Introduire le cône en plastique dans l'ouverture du moule et tourner dans le sens inverse des aiguilles d'une montre. Les rainures du cône entraîneront la gaufre dans le moule pour former un cornet. Enlever le cornet dès qu'il a la forme désirée et le maintenir dans cette forme jusqu'à ce qu'il ait refroidi complètement. Une fois refroidi, il gardera sa forme. **Mise en garde** : La gaufre sera très chaude.

ATTENTION : Le moule en métal peut devenir brûlant pendant le formage. Pour limiter l'exposition à la chaleur, procéder ainsi :

Pour rouler, poser la gaufre chaude sur le moule, le bord le plus près possible de la pointe du cône en métal (Fig. 1).

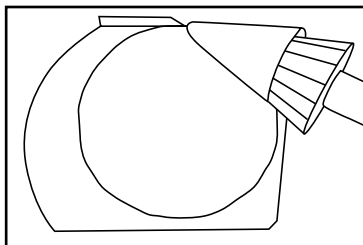


Fig. 1

Presser le cône en plastique contre la gaufre chaude et le faire rouler dans le sens inverse des aiguilles d'une montre (Fig. 2).

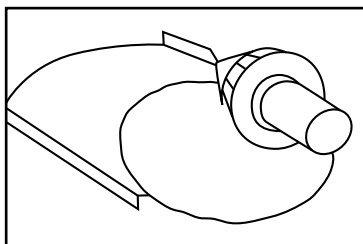


Fig. 2

Presser la gaufre, tout en continuant à rouler (Fig. 3 et 4).

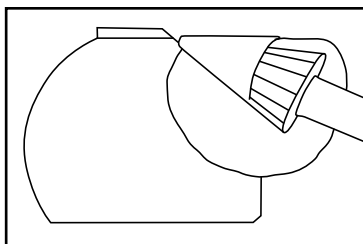


Fig. 3

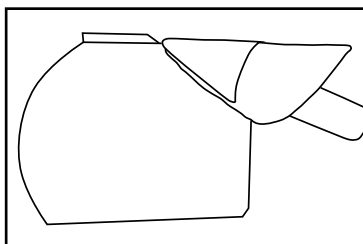


Fig. 4

- Enlever le cône immédiatement après chaque enroulement.
- Enlever le cornet du moule dès qu'il est suffisamment refroidi pour conserver la forme souhaitée.

CONSEIL : Pour limiter l'exposition à la chaleur lorsque vous préparez plusieurs cornets, prévoir un récipient à part pour garder les cornets pendant qu'ils refroidissent.

CONSEILS POUR DES CORNETS RÉUSSIS

Pour que les cornets soient bien uniformes, verser la pâte au centre de la plaque inférieure et fermer immédiatement les plaques. Généralement, la pâte se répandra d'elle même sous le poids de la plaque supérieure. Toutefois, si la pâte est très épaisse, on pourra l'étaler (très rapidement) à l'aide d'une spatule thermorésistante.

Pendant le roulage, maintenir la pointe du cône en plastique le plus près possible du bord de la gaufre. De cette façon, la glace ne coulera pas du cornet.

Laisser le cornet refroidir complètement avant de l'utiliser.

PRÉPARATION DE TULIPES

Le moule à tulipes et le pilon sont en option. Former la tulipe immédiatement après la cuisson, alors que la gaufre est encore chaude. Les gaufres froides ont tendance à se casser. **Mise en garde : La gaufre sera très chaude. Faire attention aux brûlures.** Retirer la gaufre de la plaque en fin de cuisson. Placer le moule à tulipes sur une surface plate. Centrer la gaufre dans le moule. Enfoncer doucement le pilon dans le moule. Faire attention de ne pas trop pousser et casser la gaufre. Laisser la tulipe refroidir pendant environ 20 secondes, entre le moule et le pilon. Soulever le pilon et retirer délicatement la tulipe.

Lorsque vous avez terminé, appuyer sur le bouton STANDBY, puis débrancher l'appareil. Ouvrir les plaques et les laisser refroidir avant de les nettoyer (voir ci-dessous).

NETTOYAGE ET ENTRETIEN

Lorsque vous avez terminé, appuyer sur STANDBY puis débrancher l'appareil. Ouvrir les plaques et les laisser refroidir avant de les nettoyer.

Ne jamais démonter le gaufrier pour le nettoyer. Éliminer les miettes à l'aide d'un pinceau à pâtisserie et essuyer les plaques avec une serviette en papier ou un linge sec pour absorber l'huile. Utiliser un linge humide au besoin pour éliminer y prévenir les taches et les résidus collants.

Important : Laisser les plaques refroidir avant de les nettoyer.

S'il reste de la pâte sur les plaques, verser un peu d'huile dessus et attendre 5 minutes. Cela détrempera la pâte et aidera à nettoyer les plaques.

Essuyer le boîtier de l'appareil à l'aide d'un linge doux et sec. Ne pas utiliser de nettoyants abrasifs ou de tampons récurants. **NE JAMAIS PLONGER LE CORDON, LA PRISE OU L'APPAREIL DANS L'EAU OU TOUT AUTRE LIQUIDE.**

Le moule à cornets et le cône (CAC121) et le moule à tulipes et le pilon (CAC122) doivent être lavés à la main uniquement. Ils ne sont pas lavables au lave-vaisselle.

Toute autre réparation doit être effectuée par un service après-vente autorisé.

GARANTIE LIMITÉE D'UN AN

Waring garantit tout nouveau gaufrier/gaufrier à cornets Waring® Commercial contre tout vice de matière ou de fabrication pendant une période d'un an suivant sa date d'achat, à condition qu'il ait été utilisé uniquement avec des produits alimentaires, des liquides non-abrasifs (autres que des détergents) et des semi-liquides non-abrasifs, à condition que l'appareil n'ait pas été soumis à des charges excédant sa capacité maximale.

Au titre de cette garantie, Waring réparera ou remplacera toute pièce nous paraissant afficher un vice de matière ou de fabrication. Pour un service au titre de cette garantie, envoyez l'appareil, port payé, au service après-vente ci-dessous ou amenez-le à un centre de réparation agréé.

314 Ella T. Grasso Ave. Torrington, CT 06790.

Cette garantie a) n'est pas valable si l'appareil est endommagé, cassé, détérioré ou s'il affiche un vice ou défaut résultant de l'utilisation, de l'entretien ou de la réparation par des personnes non autorisées, ou consécutif à l'usage abusif ou inapproprié, à la surcharge ou à la modification de l'appareil ; b) ne couvre aucun dommage accessoire ou indirect.

Avertissement : Brancher cet appareil sur Courant Continu (C.C.) annulera la garantie.



WARING COMMERCIAL
314 Ella T. Grasso Ave.
Torrington, CT 06790

©2014 Waring Commercial
314 Ella T. Grasso Ave.
Torrington, CT 06790
1-800-4-WARING
www.waringcommercialproducts.com

Printed in China
Impreso en la China
Imprimé en Chine

WWCM180/WWCM200 IB
14WC003732

IB-11780A