

VULCAN

INSTALLATION & OPERATION MANUAL

SG SERIES GAS CONVECTION OVENS

MODELS

SG4
SG6

STACKED MODELS

SG44
SG66



For additional information on Vulcan-Hart or to locate an authorized parts and service provider in your area, visit our website at www.vulcanequipment.com

VULCAN-HART
ITW FOOD EQUIPMENT GROUP, LLC

P.O. BOX 696 DIVISION OF
LOUISVILLE, KY 40201-0696

WWW.VULCANEQUIPMENT.COM

FORM 45392 (JAN 2013)

IMPORTANT FOR YOUR SAFETY

THIS MANUAL HAS BEEN PREPARED FOR PERSONNEL QUALIFIED TO INSTALL GAS EQUIPMENT, WHO SHOULD PERFORM THE INITIAL FIELD START-UP AND ADJUSTMENTS OF THE EQUIPMENT COVERED BY THIS MANUAL.

POST IN A PROMINENT LOCATION THE INSTRUCTIONS TO BE FOLLOWED IN THE EVENT THE SMELL OF GAS IS DETECTED. THIS INFORMATION CAN BE OBTAINED FROM THE LOCAL GAS SUPPLIER.

IMPORTANT

IN THE EVENT A GAS ODOR IS DETECTED, SHUT DOWN UNITS AT MAIN SHUTOFF VALVE AND CONTACT THE LOCAL GAS COMPANY OR GAS SUPPLIER FOR SERVICE.

FOR YOUR SAFETY

DO NOT STORE OR USE GASOLINE OR OTHER FLAMMABLE VAPORS OR LIQUIDS IN THE VICINITY OF THIS OR ANY OTHER APPLIANCE.

⚠ WARNING Improper installation, adjustment, alteration, service or maintenance can cause property damage, injury or death. Read the installation, operating and maintenance instructions thoroughly before installing or servicing this equipment.

IN THE EVENT OF A POWER FAILURE, DO NOT ATTEMPT TO OPERATE THIS DEVICE.

Installation, Operation and Care of SG SERIES GAS CONVECTION OVENS

KEEP THIS MANUAL FOR FUTURE REFERENCE

GENERAL

Models SG4 and SG6 feature a solid state temperature control bake mode selector switch. One hour dial timer is standard. Two -speed 1/2 HP (0.37 kw) electric motor is standard equipment. Each oven is furnished with 5 racks; additional oven racks are available. The burner input rating for each oven is 60,000 BTU/hr.

Porcelain interior is standard on all models.

Model SG6 has a 4 inches (102 mm) deeper oven cavity.

Standard ovens are 120 V, 60 Hz, 1 PH and include cord and plug. Optional electrical specifications of 208/240 V are available and require hard wire connection.

Independently opening doors are standard; simultaneous door opening is optional.

Other options include: an open stand with lower storage rack and a stacking kit for mounting one oven on top of another.

Vulcan SG Series Gas Convection Ovens are produced with quality workmanship and material. Proper installation, usage and maintenance of your oven will result in many years of satisfactory performance.

It is suggested that you thoroughly read this entire manual and carefully follow all of the instructions provided.

FEATURES AND OPTIONS

Model	Thermostat	Timer	Oven Lights	Legs	Stand with Storage Rack	Voltage
SG4 SG6	Solid State	1 HR. Std.	Std.	25 3/4" (654mm)	Opt	120/60/1 Std. 208/60/1 Opt. 240/60/1 Opt. 240/50/1 Opt.
Stacked Ovens				8" (203mm)		

INSTALLATION

Before installing, verify that the electrical service and type of gas supply (natural or L.P.) agree with the specifications on the rating plate, located behind the top trim panel on the front of the oven. If the supply and equipment requirements do not agree, do not proceed with the installation. Contact your dealer or Vulcan-Hart Company immediately.

UNPACKING

This oven was inspected before leaving the factory. The transportation company assumes full responsibility for safe delivery upon acceptance of the shipment. Immediately after unpacking, check for possible shipping damage. If the oven is found to be damaged, save the packaging material and contact the carrier within 15 days of delivery.

Carefully unpack the oven and place it in a work-accessible area near to its final installed position.

Do not use the doors or their handles to lift the oven.

LOCATION

The equipment area must be kept free and clear of combustible substances.

When installed, minimum clearance from combustible construction must be 1 inch (25 mm) at the left side, 4 inches (102 mm) at the right side and 2 inches (51 mm) at the rear. Minimum clearance from noncombustible construction must be 0 inch (0 mm) at the left side, 4 inches (102 mm) at the right side and 2 inches (51 mm) at the rear. The oven may be installed on combustible floors.

The installation location must allow adequate clearances for servicing and proper operation.

The oven must be installed so that the flow of combustion and ventilation air will not be obstructed. Adequate clearance for air openings into the combustion chamber must be provided. Make sure there is an adequate supply of air in the room to allow for combustion of gas at the oven burners.

Do not permit fans to blow directly at the oven. Wherever possible, avoid open windows next to the oven. Avoid wall-type fans which create air cross currents within the room.

INSTALLATION CODES AND STANDARDS

In the United States of America:

1. State and local codes.
2. National Fuel Gas Code, ANSI/Z223.1/NFPA #54 (latest edition). Copies may be obtained from The American Gas Association, Inc., Accredited Standards Committee Z223 @ 400 N. Capital St. NW, Washington, DC 20001 or the Secretary Standards Council, NFPA, 1 Batterymarch Park, Quincy, MA 02169-7471.

NOTE: In the Commonwealth of Massachusetts,

All gas appliances vented through a ventilation hood or exhaust system equipped with a damper or with a power means of exhaust shall comply with 248 CMR.

3. Vapor Removal From Cooking Equipment, NFPA-96 (latest edition). Copies may be obtained from The National Fire Protection Association, Batterymarch Park, Quincy, MA 02169-7471.
4. National Electrical Code, ANSI/NFPA-70 (latest edition). Copies may be obtained from The National Fire Protection Association, Batterymarch Park, Quincy, MA 02169-7471.

In Canada:

1. Local codes.
2. CSA B149.1 Natural Gas and Propane Installation Code.
3. CSA C22.1 Canadian Electric Code (latest edition).

The above are available from the Canadian Standard Association, 5060 Spectrum Way, Suite 100, Mississauga, Ontario, Canada L4W 5N6.

INSTALLING OVEN

The oven must be installed on legs or be mounted on a modular stand. Installations on concrete bases or other supports restricting air circulation underneath the oven is not advisable and may void the warranty.

Ovens Mounted on Casters

Ovens mounted on casters must use a flexible connector (not supplied by Vulcan) that complies with the Standard for Connectors for Movable Gas Appliances, ANSI Z21.69 • CSA 6.16 and a quick-disconnect device that complies with the Standard for Quick-Disconnect Devices for Use With Gas Fuel, ANSI-Z21.41 • CSA 6.9. In addition, adequate means must be provided to limit movement of the appliance without depending on the connector and the quick-disconnect device or its associated piping to limit appliance movement. Attach the restraining device at the rear of the oven as shown in Fig. 1.

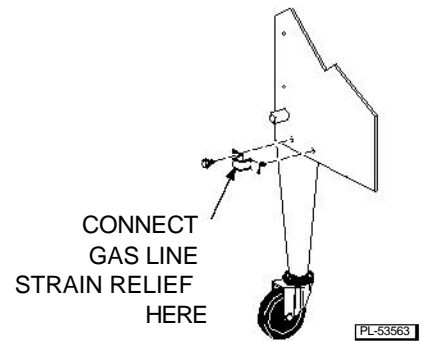


Fig. 1

Remove two screws from the rear of the oven and install the tie-down strap shipped with the casters using these screws (Fig. 1). Attach the gas line strain relief to the tie-down strap at the rear of the oven (Fig. 1).

If disconnection of the restraint is necessary, turn off the gas supply before disconnection. Reconnect this restraint prior to turning the gas supply on and returning the oven to its installation position.

Separate instructions for installing casters to the oven are included with the casters.

Note: If the oven is installed on casters and is moved for any reason, it is recommended that the oven be leveled front to back and side to side.

Assembling the Legs to the Oven

The legs must be installed on the bottom of the oven. Gently position the oven on its side, taking care not to scratch or damage it.

Attach each of the four leg assemblies to the bottom of the oven with the 24 bolts and lockwashers (six per leg). Carefully raise the oven to its normal position.

ASSEMBLING THE STAND TO THE OVEN

Attach each of the four leg assemblies to the bottom of the oven with the 24 bolts and lockwashers (six per leg). Carefully raise the oven to its normal position.

Attach the undershelf to the legs with eight bolts and lockwashers (two per leg).

Install the rack guides into the undershelf at desired locations (for pan or flat rack), then attach the rack supports to the top end of the rack guides. Attach rack supports to the leg assembly by removing one middle bolt and reattaching back through the end holes in the rack support (Fig. 2).

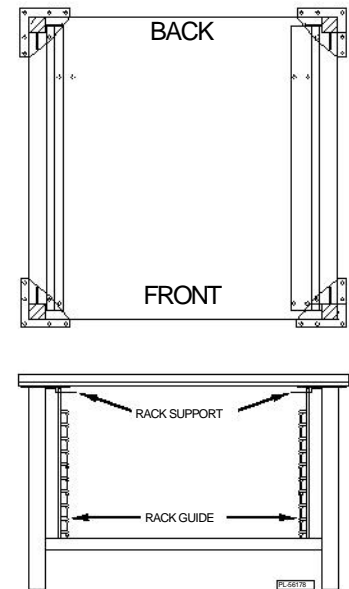


Fig. 2

ASSEMBLING STACKED OVENS

Unpack the ovens and stack kit. Position the oven to be used as the bottom oven on its back for access to the oven bottom, taking care not to scratch or damage it. The gas pipe protrudes beyond the back; provide for this when the oven is tipped back by resting it on suitable spacers (2 x 4" [51 x 102 mm], etc.). Attach the four leg assemblies with the 24 bolts and lockwashers (six per leg).

Place the lower oven (with legs) on the floor and remove two $\frac{7}{16}$ inch (11 mm) diameter knockouts on each side of the top cover. Remove vent guard and discard it.

Move the oven with legs to the installed position and place upper oven on top of lower oven using the locating studs.

Install the stacking flue (Fig. 3) with the four screws provided.

Connect the piping between the top oven and bottom oven. For all gas supply connections, pipe joint compound must be resistant to the action of propane gases.

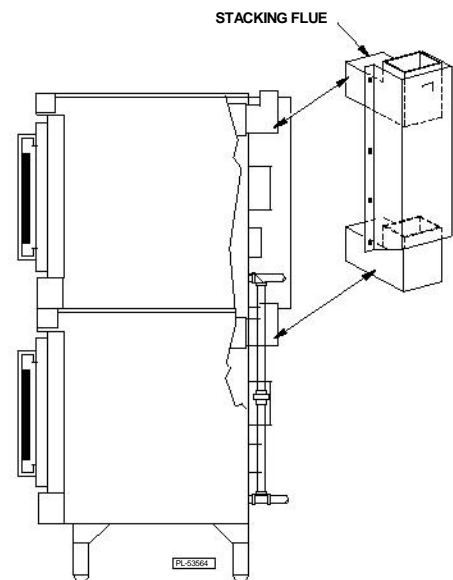


Fig. 3

LEVELING

Make sure that the oven racks are level in the final installed position. If the oven is installed on legs, turn the adjustable feet in or out to level the oven front-to-back and side-to-side. If the oven is installed on casters, loosen set screws and turn casters in or out to level the oven front-to-back and side-to-side. Retighten set screws after leveling.

MODEL	INPUT RATING		MANIFOLD PRESSURE	
	Natural	L.P. Gasses	Natural	LP Gasses
SG4	60,000 BTU/hr	60,000 BTU/hr	5.0" WC (0.9 kPa)	10" WC (2.5 kPa)
SG6				

Gas supply connections and any pipe joint compound must be resistant to the action of natural and LP gasses.

Location of the gas inlet is at the rear of the oven. Codes require that a gas shutoff valve must be installed in the gas line ahead of the oven.

Connect gas supply after leveling the oven. The gas supply line must be at least the equivalent of $\frac{3}{4}$ inch (19 mm) iron pipe. Make sure the pipes are clean and free of obstructions, dirt or pipe joint compound.

The ovens are equipped with fixed burner orifices which coincide with installation elevation.

Standard oven with electronic ignition is provided with a regulator integral to the gas solenoid valve and requires no external regulator.

NOTICE The gas supply must not exceed $\frac{1}{2}$ " psig (14" WC / 3.45 kPa). Damage to the gas valves may occur voiding warranty.

⚠ WARNING Prior to lighting, check all joints in the gas supply for leaks. Use soap and water solution. Do not use an open flame.

A. Check all joints prior to the gas valve (solenoid) before lighting unit.

B. Check all joints beyond gas valve (solenoid) after unit is lit.

After piping has been checked for leaks, all piping receiving gas should be fully purged to remove air.

TESTING THE GAS SUPPLY SYSTEM

When gas supply pressure exceeds $\frac{1}{2}$ psig (3.45 kPa), the oven and its individual shutoff valve must be disconnected from the gas supply piping system.

A step down regulator must be installed to obtain line pressure of 8.0" WC (natural) or 11.0" WC (L.P).

When gas supply pressure is $\frac{1}{2}$ psig (3.45 kPa) or less, the oven should be isolated from the gas supply system by closing its individual manual shutoff valve.

BURNER AIR ADJUSTMENT

Although main burner air is adjusted before shipment, it should be checked at the time of installation. Excessive air will cause flames to lift off a burner when cold or may cause flash-back during normal cycling of oven, particularly when propane gas is used.

Insufficient air will cause flames to burn with a yellow tip and result in carbon accumulation in the flame chamber.

Contact your local Vulcan-Hart servicer if required.

VENT SYSTEM

DO NOT obstruct the flow of flue gases from the flue located on the rear of the oven. It is recommended that the flue gases be ventilated to the outside of the building through a ventilation system installed by qualified personnel.

Ovens may use an optional down-draft diverter flue method. This optional down-draft diverter must be purchased from the oven manufacturer and vented to the outside; otherwise, the installation of any such device will void all oven certifications and warranties. This oven is suitable for connection to Type B Gas Vent when used with the draft hood provided.

From the termination of the flue to the filters of the hood venting system, a minimum clearance of 18 inches (457 mm) must be maintained.

Information on the construction and installation of ventilating hoods may be obtained from Vapor Removal from Cooking Equipment, NFPA Standard No. 96 (latest edition), available from the National Fire Protection Association, Batterymarch Park, Quincy, MA 02269.

ELECTRICAL CONNECTIONS

⚠ WARNING Electrical and grounding connections must comply with the applicable portions of the National Electrical Code and/or other local electrical codes.

⚠ WARNING Appliances equipped with a flexible electric supply cord are provided with a three-prong grounding plug. It is imperative that this plug be connected into a properly grounded three-prong receptacle. If the receptacle is not the proper grounding type, contact an electrician. Do not remove the grounding prong from this plug.

SG series ovens with 120 V/60 Hz/1 PH electrical specification are equipped with a cord and plug as standard equipment.

A wiring diagram is located on the inside of the control housing.

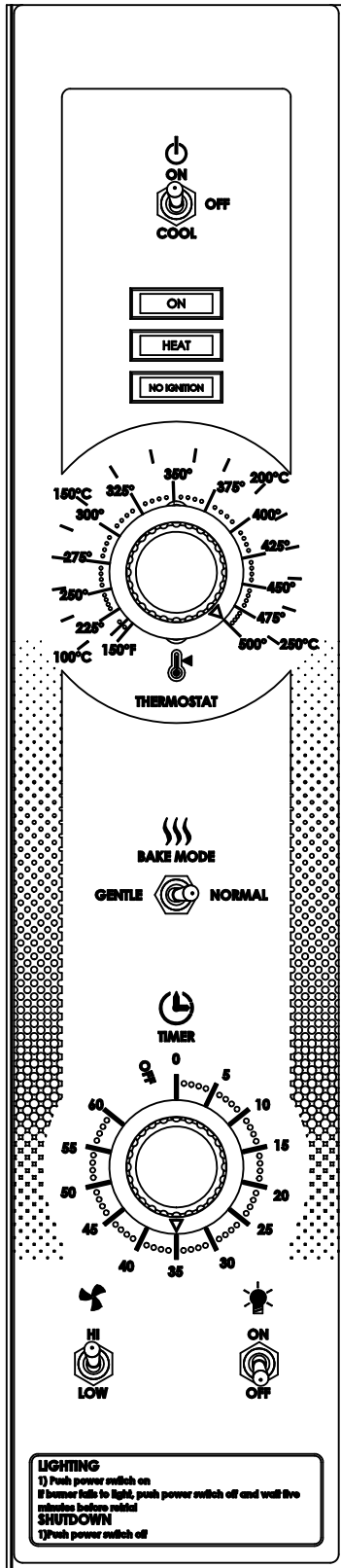
ELECTRICAL DATA

Models	V/Hz/PH	Minimum Circuit Ampacity Maximum Protective Device AMPS
SG4 SG6	120/60/1	15
	208/60/1	15
	240/60/1	15
	240/50/1	15

Compiled in accordance with the National Electrical Code, NFPA-70 (latest edition).

OPERATION

The oven and its parts are hot. Use care when operating, cleaning or servicing the oven.



- Main Switch**
 - ON — Turns oven control circuits on.
 - OFF — Turns oven control circuits off.
 - OVEN COOL — Allows the fan motor to run with the doors ajar to speed ovencooling.
- On Light (Amber)** — Lit when main switch is ON.
- Heat Light (White)** — Comes on and goes off when the burner cycles on and off.
- Ignition Light (Red)** — Comes on if burner fails to ignite. When lighting the oven, the IGNITION light flashes.
- Thermostat** — Controls oven temperature during cooking operation.
- Bake Mode** — Select “Normal” for 100% Power or “Gentle” for 75% Power.
- Timer (1 Hr. or 5 Hr.)** — Sets the bake time. Buzzer sounds continuously after timer counts down to 0. Oven does not turn off. Turn Timer to OFF to stop buzzer. When oven is not in use, keep Timer at OFF position.
- Fan Speed Switch** — Selects HI or LO Fan Speed.
- Lights Switch** — Turns the lights in the oven ON or OFF.

CONTROLS (SG4 and SG6)

BEFORE FIRST USE

Before using the oven for the first time, it must be "burned in" to release any odors that might result from heating the new surfaces in the chamber.

1. Using a clean, damp cloth, wipe the inside of the oven including the racks.
2. Close the oven doors.
3. Push the main switch to ON.
4. Turn the Thermostat to 300°F (149°C) and allow the oven to cycle for 2 hours or until no odor is detected before pushing the main switch to OFF.

LIGHTING MODEL SG4 AND SG6 OVENS

1. Turn the main gas supply ON.
2. Push the main switch to ON.
3. If the burner fails to light, push main switch OFF. Wait 5 minutes for retrieval.

If the oven does not light after three trials, turn off the main gas valve and call a qualified servicer.

SHUTDOWN INSTRUCTIONS

1. Turn main switch to OFF.

EXTENDED SHUTDOWN

1. Push main switch to OFF.
2. Turn gas and electrical power supplies OFF.

USING MODEL SG4 AND SG6 OVENS

Preheating

1. Select the proper rack arrangement for the product to be cooked. Refer to RACK ARRANGEMENTS, page 13.
2. Make sure the doors are closed.
3. Push main switch to ON. The amber ON light will come on, indicating that power to the oven is on.
4. Set the two-speed FAN SWITCH to the desired setting.
5. Set thermostat as desired. The HEAT light will come on and remain on until the oven reaches set temperature (approximately 10 to 15 minutes for settings from 300 to 400°F (149 to 204°C)). Refer to SUGGESTED COOKING GUIDELINES for temperatures and times for various products.
If the burner fails to light, the red IGNITION light will come on and remain on.
6. Prepare product and place in suitable pans. When the white HEAT light goes off, the oven has reached the desired preheat temperature.

Bake Mode - Gentle

With Bake Mode switched to Gentle, heat light will cycle at 22 seconds on, 8 seconds off until temperature is reached. Heat light will be off for greater than 8 seconds when set temperature has been reached.

Cooking

1. Open doors and load the product into the oven. Place pans in the center of the racks. Close doors.
2. Set the Timer. After the preset time lapses, turn Timer to OFF position to stop alarm.
3. When product is done, open doors and carefully remove cooked product from the oven. Care should be taken when wiping up spills, as oven is still hot.

End of Day

1. Turn Thermostat to OFF setting.
2. Push main switch to OVEN COOL. Leave door ajar while the fan is on to cool the oven. 3. When oven has cooled sufficiently, flip main switch to OFF. 4. Turn gas valve to OFF and clean oven.

Extended Shutdown

Repeat Steps 1 through 3 of End of Day. Unplug oven and shut off manual gas valve.

CONSERVING ENERGY— ALL MODELS

- Turn off unused equipment.
- Adjust menu patterns and cooking/baking schedules for optimum equipment use.
- Reduce thermostat settings in slack periods since gas equipment heats up and recovers quickly. • Preheat only to required cooking temperature for specific food — not higher. • Do not open the oven door unless absolutely necessary.
- Keep area around the oven door clean and free of food particles.
- Any obstruction that prevents the door from closing completely will adversely affect oven efficiency.

PROPER UTENSILS

The use of proper utensils can enhance oven operation. Medium and light weight pans allow the product to warm faster. Roast meats in shallow pans deep enough to hold all juices yet allow free air circulation.

OPERATING HINTS

When using the convection oven for the first time with a particular food, check the degree of doneness periodically before the suggested time has elapsed. This will ensure the desired doneness is achieved.

Record your temperature and time settings for various products. The convection oven can provide consistent and repeatable results.

The convection oven is faster than conventional deck-type ovens; temperature settings are lower and cook times are shorter. Since recipes and foods are subject to many variations and tastes, the guidelines regarding times and temperatures in this manual are **SUGGESTIONS ONLY**. Experiment with your food products to determine the cooking temperatures and times that give you the best results.

RACK ARRANGEMENTS

All models are supplied with five racks and have a maximum operating capacity of six racks per oven. The 11-position rack supports provide for maximum flexibility and proper rack spacing.

The following arrangements are recommended. The position numbers are in numerical sequence starting at the bottom (Fig. 4).

Arrangement #1 — Five racks in positions #2, #4, #6, #8 and #10 for cookies or reconstitution of frozen lunches at maximum capacity. Also recommended position for general baking in sheet pans with products not over 2½ inches (64 mm) high.

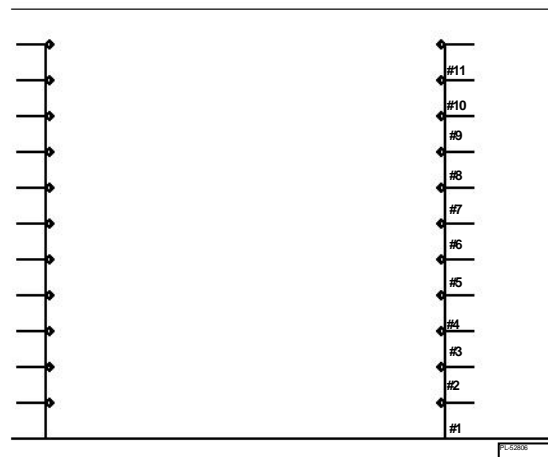
Arrangement #2 — Four racks in positions #1, #4, #7 and #10 for general baking in sheet pans, muffin pans, pie or cake tins and pudding pans 3½ inches (89 mm) high with products not over 4 inches (102 mm) high. This arrangement can also be used for casseroles or meat dishes in #200 series food service pans 12 x 20 x 2½" (305 x 508 x 64 mm).

Arrangement #3 — Three racks in positions #1, #5 and #9 for baking breads or cakes in loaf or tube pans and high meringue pies. This arrangement can also be used for casseroles, meat dishes or roasting in pans up to 5½ inches (140 mm) deep with products up to 6 inches (152 mm) high.

Arrangement #4 — Two racks in positions #1 and #6 for roasting turkeys and other roasts up to 7 inches (178 mm) high.

With the rack in position #1, there is limited space for a water pan (see cooking chart in this manual).

When mixed loads or partial loading is regular practice, some users have developed other rack arrangements to suit their particular needs.



RACK POSITION

Fig. 4

SPECIAL PROCEDURES FOR BAKING

When baking yeast breads, cooking starts immediately in the convection oven. Yeast breads do not usually rise as much in a convection oven as in a conventional oven. Therefore it is usually necessary to allow furtherer proof, 2¹/₂ to 3 times increase in volume, for best results.

When baking pies in your convection oven, three or four pies should be put on an 18 x 26" (457 x 660 mm) sheet or bun pan. This procedure helps the bottom crust to bake, makes handling easier and reduces the possibility of boilover spoiling the appearance of the pies on the lower racks.

HIGH LIMIT SWITCH

All ovens are equipped with a high limit switch, which senses the temperature of the oven to prevent overheating. The high limit switch operates independently and will automatically shut the oven down should the primary control fail. If this situation occurs, DO NOT attempt to bypass the high limit. Shut the oven down and contact your local Vulcan authorized service agency.

RECOMMENDED TEMPERATURES AND TIMES FOR ROASTING

Meat roasting is most satisfactory at temperatures of 225 to 325°F (107 to 163°C) for beef, lamb, poultry and ham; 325°F (163°C) for fresh pork as recommended by USDA and American Meat Institute.

A pan, approximately 12 x 20 x 1" (305 x 508 x 25 mm) full of water, may be placed in the oven bottom. This water supplies humidity to reduce shrinkage. Water should be added if necessary during roasting.

Roasting pans should be no deeper than necessary to hold drippings (usually 2 to 2½" (51 to 64 mm).

Cooking time and shrinkage may vary with roasting temperature, cut, grade of meat and degree of doneness. Smaller cuts will generally show greater time savings than larger cuts at a given temperature.

ROASTING TEMPERATURE CHART

PRODUCT	TEMP		APPROXIMATE TIMES
	°F	(°C)	
Standing Rib Roast — Oven Ready	250	(121)	3 to 4 Hrs. — Rare 4 to 4½ Hrs. — Med. 4
Rolled Rib Roasts — 20 to 22 lb (9.1 to 10 kg)	275	(135)	Hrs. — Med.
Veal Roast — 15 lb (6.8 kg)	300	(149)	3 Hrs. — Med. Well 3
Turkeys — 15 to 20 lb (6.8 to 9.1 kg)	300	(149)	Hrs.
Meat Loaf — 8 to 10 lb (3.6 to 4.5 kg)	350	(177)	45 to 60 Minutes

COOKING HINTS

Forced air convection cooking is faster than conventional oven cooking, and therefore overcooking is more common. Do not cook products faster than is practical for the best results. Since forced air convection supplies heat to the surface of the product, the thicker or more massive a product is for its type, the longer it will take to absorb enough heat to cook.

The oven will cook or bake full or partial loads at standard recipe temperatures. As with any oven, you may wish to use a temperature of up to 25 F° (-4 C°) higher or lower than the recipe for the particular product result that you prefer.

When established, convection oven times and control settings should be noted on your recipe.

SUGGESTED COOKING GUIDELINES

Recommended temperatures, times and number of racks are intended as a guide only. Adjustments must be made to compensate for variations in recipes, ingredients, preparation and personal preference in product appearance.

The oven does not require special recipes. Excellent results can be obtained from any good commercial recipe with reduced cooking times.

RECOMMENDED TEMPERATURES, TIMES AND NUMBER OF RACKS FOR BAKING

PRODUCT	TEMPERATURE		TIME IN MINUTES	NO. OF RACKS
	°F	(°C)		
Cakes				
Sheet Cakes				
18 x 26 x 1" (457 x 660 x 25 mm) pan	325-360	(163-182)	20 to 23 5	4
Scaled 4½ to 6 lb (2 to 2.7 kg)/pan				
Scaled 6 to 7½ lb (2.7 to 3.4 kg)/pan	335-350	(168-177)	22 to 25	
Sheet Cakes				
18 x 26 x 2" (457 x 660 x 51 mm) pan	300-325	(149-163)	25 to 35	3
4 Scaled 10 to 12 lb (4.5 to 5.4 kg)/pan	300-325	(149-163)	25 to 35	
Or, two 12 x 18 x 2" (305 x 457 x 51 mm) pans				
Scaled 5 to 6 lb (2.3 to 2.7 kg)/pan				
Angel or Sponge Cakes				
Sheet Pans 18 x 26 x 1" (457 x 660 x 25 mm)				
Scaled 5 to 6 lb (2.3 to 2.7 kg)/pan	300-325	(149-163)	15 to 20	4
Loaf or Tube Pans				
	315-340	(157-171)	20 to 30	3-4
Cupcakes				
	350-400	(177-204)	6 to 12	4
Frozen Fruit Pies				
	350-375	(177-191)	30 to 45	3-4
Pumpkin or Custard Pies				
	300-350	(149-177)	30 to 45	3-4
Cobblers				
12 x 18 x 2" (305 x 457 x 51 mm) or	350-400	(177-204)	30 to 45	3-4
12 x 20 x 2½" (305 x 508 x 64 mm)				
Meringue Pies				
	350-425	(177-218)	6 to 10	2-4
Fruit Turnovers				
18 x 26 x 1" (457 x 660 x 25 mm) pans	350-375	(177-191)	15 to 25	3-5
NOTE: Pies and cobblers; fruit, custard and pumpkin pies in pie pans should be placed on 18 x 26 x 1" (457 x 660 x 25 mm) pans for baking.				
Cookies				
Rolled or Pressed	350-400	(177-204)	6 to 12	3-5
Drop	350-400	(177-204)	6 to 15	3-5
Brownies				
	350	(177)	12 to 20	4-5
Yeast Breads NOTE: Yeast breads should be fully proofed for best results.				
Rolls — 1 oz (28 g)	350-400	(177-204)	5 to 10	3-4
1½ to 2½ oz (43 to 71 g)	350-400	(177-204)	8 to 15	3-4
Loaf Bread — 1 lb (453.4 g)	325-375	(163-191)	20 to 40	3(30) Pans 2(20) Pans
Sweet Rolls & Danish Pastry				
	325-375	(163-191)	5 to 15	3-4
Biscuits — Rolled ½" (13 mm) Thick				
	350-400	(177-204)	5 to 15	3-4
Muffins				
18 x 26 x 1" (457 x 660 x 25 mm) pan,	325-375	(163-191)	6 to 18	3-4
5 to 7 lb (2.3 to 3.2 kg)/pan				
18 x 26 x 2" (457 x 660 x 51 mm) pan,	335-400	(168-204)	10 to 20	4
8 to 20 lb (3.6 to 9 kg) per pan				
Corn Muffins				
	335-385	(168-196)	10 to 20	3-4

REHEATING PREPARED FOODS

PRODUCT	TEMPERATURE °F (°C)	TIME IN MINUTES	NO. OF RACKS
Frozen French Fries	400-450 (204-232)	6 to 8 2 to 3	4
Frozen TV Dinners	350-400 (177-204)	10 to 12	2-5
Frozen Entrees 3/4 to 1" (19 to 25 mm) thick	300-350 (149-177)	10 to 20	2-5
Frozen Meals , 8 oz (226 g) Foil Pkg.	350-400 (177-204)	20 to 30	2-5
Fish Sticks & Portions			
Frozen Breaded, 1 oz (28 g)	350-400 (177-204)	6 to 10	2-4
2 1/2 to 3 oz (71 to 85 g)	350-375 (177-191)	8 to 15	2-4
Chicken Pieces			
Broiled or Oven Fried			
2 to 2 1/2 lb (0.9 to 1.1 kg)/bird	375-425 (191-218)	8 to 15	2-5-2-
2 1/2 to 3 lb (1.1 to 1.4 kg)/bird	350-400 (177-204)	15 to 25	4
Lobsters — 1 to 1 1/2 lb (0.45 to 0.7 kg)	400-450 (204-232)	8 to 14	2-4
Lobster Tails — Frozen			
1/2 to 3/4 lb (0.2 to 0.3 kg)	350-400 (177-204)	10 to 15	2-4
Hamburger Patties			
8 per lb (0.45 kg), med. to well done	400-450 (204-232)	5 to 6	2-6
6 per lb (0.45 kg)	400-450 (204-232)	7 to 10	2-6
4 per lb (0.45 kg)	375-450 (191-232)	8 to 12	2-6
CASSEROLES			
Food Service Pans			
2 to 3" (51 to 76 mm) deep	325-375 (162-191)	15 to 25	
3 to 4" (76 to 102 mm) deep	325-375 (162-191)	20 to 35	2-4
Ramekins or Foil Pans	350-400 (177-204)	5 to 6	4-5
Up to 1 1/2" (38 mm) deep			2-4
Frozen		10 to 15	
MISCELLANEOUS PRODUCTS			
Baked Potatoes			
120 count per 50 lb (22.7 kg)	400-450 (204-232)	20 to 25	2-5-2-
100 count per 50 lb (22.7 kg)	400-450 (204-232)	25 to 40	5-2-5
80 count per 50 lb (22.7 kg)	400-425 (204-218)	30 to 45	
Pizzas — Frozen or With Prebaked Crust	425-475 (218-247)	5 to 10	2-4
Grilled Cheese Sandwiches	400-425 (204-218)	8 to 10	2-4

CLEANING

⚠ WARNING Disconnect the electrical power to the machine and follow lockout / tagout procedures.

Allow the oven to cool before cleaning.

Snorkel

The snorkel (heat circulation tube), located in the back of oven cavity, should never be blocked. The snorkel should be kept clean at all times for proper operation of the oven. Clean with standard oven cleaner at least once a week. Be sure to thoroughly clean all cleansing solution off before using the oven again. It is also recommended that the oven be run at 400°F (204°C) for 20 minutes before using to burn off any cleaning solution that was not thoroughly rinsed from the snorkel.

Fan

Clean the fan with oven cleaner weekly. Use a stiff bristle brush to clean the blades. Take care not to damage or bend the fan blades. Be certain to remove all debris.

Daily

Exterior stainless steel oven panels should be cleaned with a damp cloth. Stubborn soil may be removed with detergent. (DO NOT USE DAWN®.) Rinse thoroughly and wipe dry with a soft, clean cloth.

Clean porcelain oven interior daily with soap or detergent and water. Rinse thoroughly, wipe dry with a soft, clean cloth.

Nickel-plated racks and rack supports are dishwasher-safe and may be removed for cleaning.

For exterior burned-on foods and grease which resist simple soap and water cleaning, an abrasive cleanser (scouring powder) mixed into a paste may be used. Apply with stainless steel wool or sponge, always rubbing with the "grain." This treatment is equally effective for "heat tint" (slightly darkened areas caused by oxidation). Again, remember to rub in the direction of the polish lines. Rinse with clear water and dry with a soft cloth.

Do not use scouring powder on the glass window; it will scratch and fog the glass.

After processing some foods at low temperatures, odors may linger in the oven. These odors may be cleared by setting the tstat to 500°F (260°C) and allow the oven to run unloaded for 30 to 45 minutes.

GUIDELINES FOR MAINTAINING STAINLESS STEEL SURFACES

There are three basic things that can break down the surface layer of stainless steel and allow corrosion to develop: 1) Abrasion; 2) Deposits and water and 3) Chlorides.

Avoid abrasion from rubbing with steel pads, wire brushes or scrapers that can leave iron deposits on stainless steel; instead, use plastic scouring pads or soft cloths. For stubborn stains, use products such as Cameo, Talc or Zud First Impression. Always rub parallel to the polish lines or with the grain.

Hard water can leave deposits that promote rust on stainless steel. Treated water from softeners or certain filters can eliminate these mineral deposits. Deposits from food must be properly removed by cleaning. Use mild detergent and nonchloride cleaners. Rinse thoroughly. Wipe dry. If using chloride-containing cleaners or sanitizers, to avoid stainless steel corrosion. Where appropriate, apply a polish recommended for stainless steel (such as Benefit or Super Sheen) for extra protection and lustre.

MAINTENANCE

⚠ WARNING The oven and its parts are hot. Use care when operating, cleaning or servicing the oven.

⚠ WARNING Disconnect the electrical power to the machine and follow lockout / tagout procedures.

LUBRICATION

The fan motor comes with sealed bearings and requires no lubrication.

VENTING

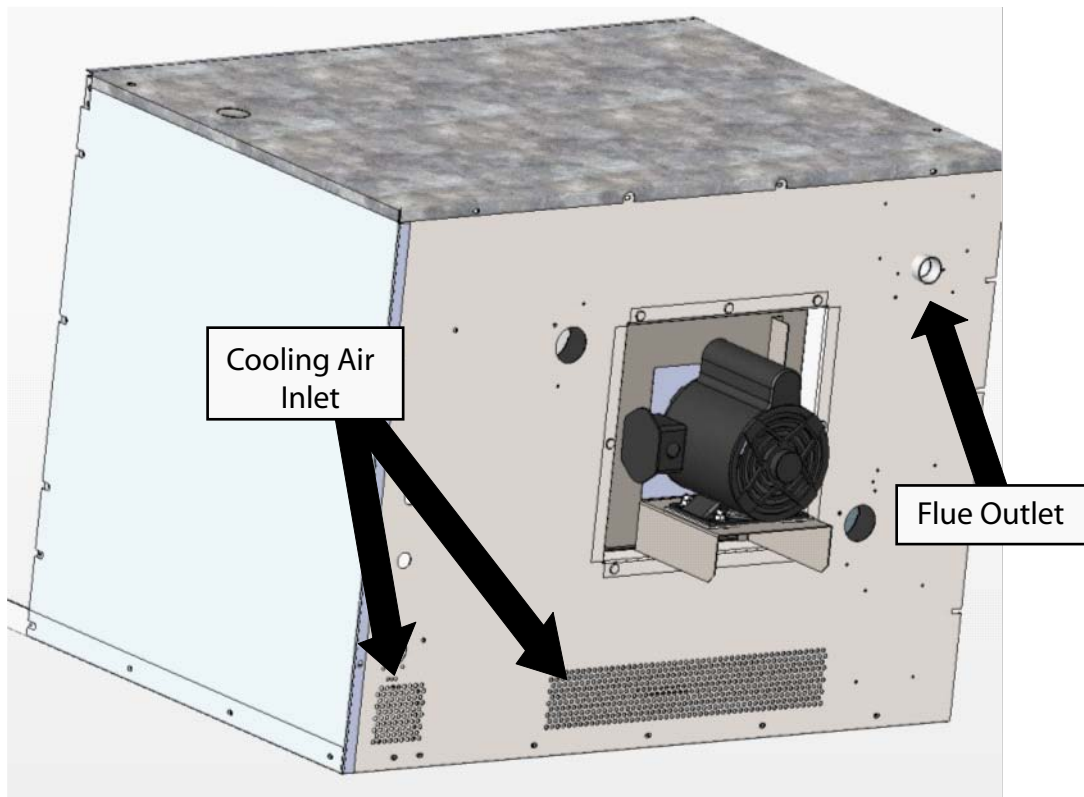
Periodically check the flue outlet when the oven is cool, to be sure it is free of obstructions.

REPLACING LAMPS

1. Allow oven to cool.
2. Remove all racks by pulling forward, lifting up and out.
3. Unscrew glass dome from light body.
4. Replace the bulb.
5. Reassemble glass dome and racks.

COOLING AIR INLET

Clear all dust and grease deposits from surfaces regularly. Make certain that perforations are open and clean.



TROUBLESHOOTING

Problem	Possible Cause	Suggested Corrective Action
Uneven browning or overcooked edges.	<ol style="list-style-type: none"> Oven is too hot. Too Many racks used. 	<ol style="list-style-type: none"> Reduce temperature setting (refer to cooking guidelines). Use Fewer racks to allow better circulation.
Product pulling edge of pan spilling.	<ol style="list-style-type: none"> Oven is not level. Sheet pans are warped. 	<ol style="list-style-type: none"> Level oven racks - side to side and front to back. The rack should be level side to side and level to 1/8" low at the front from the back. Keep pans used for baking batter separate from general purpose pans. If any pan shows a tendency to warp, remove it from the baking group.
Excessive shrinkage.	<ol style="list-style-type: none"> Failure to maintain water in oven. Roasting temperature too high. 	<ol style="list-style-type: none"> Place pan of water in bottom of oven measuring 12 x 20 x 1" Reduce temperature.
Ignition light remains lit for more than 20 seconds after 3 trials.	No gas supply.	Turn oven off for 5 minutes before attempting to relight. Check gas supply valves to be sure they are open.

SERVICE AND PARTS INFORMATION

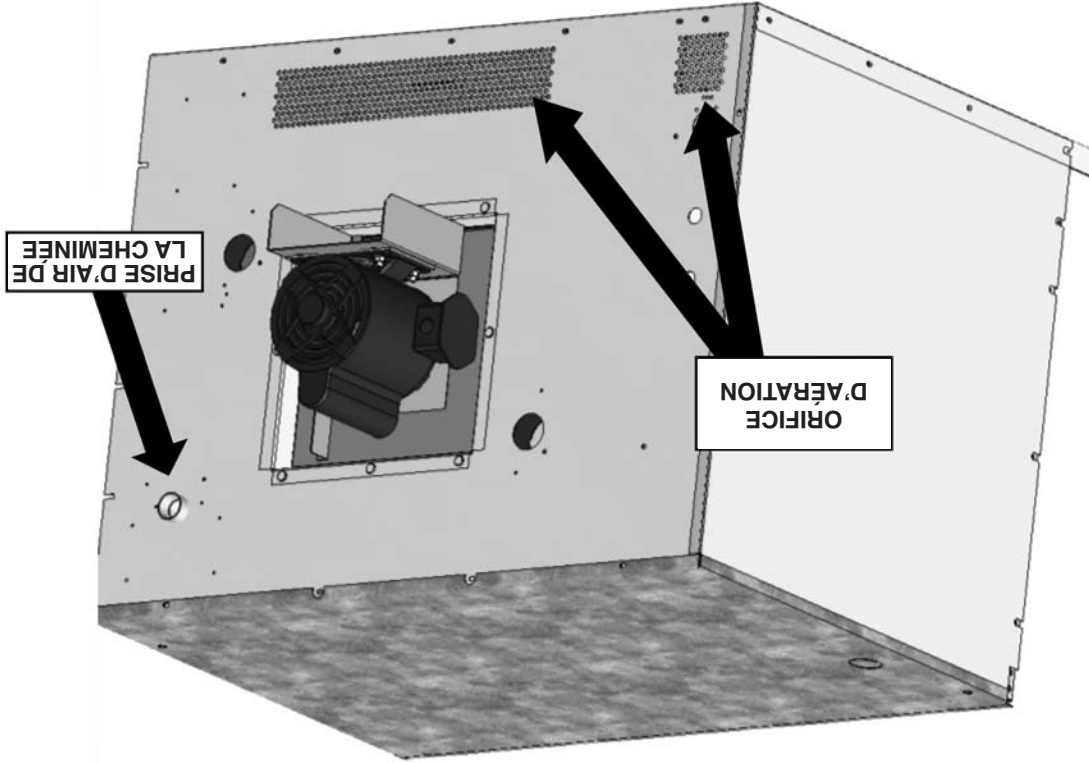
To obtain service and parts information concerning this model, contact the Vulcan-Hart Service Agency in your area (refer to our website, www.vulcanhart.com for a complete listing of Authorized Service and Parts depots).

DÉPANNAGE

Problème	Cause possible	Action corrective suggérée
Caramélisation inégale, ou extrémités brûlées.	1. Four trop chaud. 2. Trop de grilles utilisées.	1. Réduire la température (voir les directives de cuisson). 2. Utilisez moins de grilles pour favoriser la circulation d'air.
Produits qui penchent d'un côté, débordements.	1. Four pas monté de niveau. 2. Plaques de cuisson tordues.	1. Mettez de niveau les glissières des grilles, d'un côté vers l'autre, et de l'avant vers l'arrière. 2. Séparez les plaques utilisées pour la pâtisserie de celles d'usage général. Si une des plaques semble être tordue, enlevez-la de celles pour les pâtisseries.
Rétrécissement excessif des aliments.	1. Mauvais maintien du niveau d'eau dans le récipient. 2. Température de rôtissage trop élevée.	1. Placez un récipient d'eau au fond du four mesurant 12 x 20 x 1 po. 2. Abaissez la température de cuisson.
Le témoin du brûleur demeure allumé plus de 20 secondes après 3 essais.	Alimentation en gaz déficiente.	Éteignez le four durant 5 minutes avant de faire une nouvelle tentative. Vérifiez les vannes d'alimentation du gaz pour être certain qu'elles sont ouvertes.

RENSEIGNEMENTS SUR LES PIÈCES ET LE SERVICE

Pour obtenir plus de renseignements sur les pièces de rechange et le service d'entretien de cet appareil, contactez l'agence de service de Vulcan-Hart dans votre région (consultez notre site web, www.vulcanhart.com, pour une liste complète des dépositaires autorisés pour les pièces et le service de l'entretien).



ENTRETIEN

⚠ AVERTISSEMENT : Le four et ses composants sont chauds. Soyez prudent lors de l'utilisation, de l'entretien ou du nettoyage du four.

⚠ AVERTISSEMENT : Coupez l'alimentation électrique de l'appareil et suivez les procédures de verrouillage et d'étiquetage.

LUBRIFICATION

Le moteur du ventilateur est muni de roulements à bille scellés, et ne nécessite pas de lubrification.

VENTILATION

Périodiquement, lorsque le four est refroidi, vérifiez la sortie de la cheminée afin de vous assurer qu'il ne s'y trouve aucune obstruction.

REMPLACEMENT DES LAMPES

1. Laissez le four refroidir.
2. Enlevez toutes les grilles: tirez-les vers vous, puis soulevez-les vers le haut et l'extérieur.
3. Dévissez le dôme de verre de l'assemblage de la lampe.
4. Remplacez l'ampoule.
5. Remplacez le dôme de verre, ainsi que les grilles.

ORIFICE D'AÉRATION DE REFOUILLISSEMENT

Enlevez régulièrement la poussière et les dépôts de graisse de la surface de la prise d'air. Assurez-vous que les perforations sont ouvertes, et propres.

Trois choses peuvent endommager la couche de protection des panneaux en acier inoxydable, et permettre que la corrosion s'y installe : 1) les abrasifs ; 2) les dépôts et l'eau ; et 3) les chlorures. Évitez les abrasifs : les tampons en laine d'acier, les brosses ou les grattoirs à soies d'acier qui peuvent laisser des dépôts de fer sur l'inox ; à la place, utilisez plutôt des tampons à récurer en plastique ou des chiffons doux. Pour les taches tenaces, utilisez des produits comme Cameo, Talc ou First Impression de Zud. Frottez toujours dans le sens parallèle aux lignes de polissage, ou dans le sens du « grain ». L'eau dure peut laisser des dépôts qui accélèrent la formation de rouille sur les surfaces en inox. On peut éliminer ces dépôts minéraux en traitant l'eau avec des adoucisseurs, ou certains filtres. Les dépôts de nourriture doivent toujours être nettoyés soigneusement. Utilisez des détergents doux sans chlorure ni javellisant. Rincez soigneusement et asséchez avec un chiffon, surtout si vous devez utiliser des nettoyeurs ou des aseptiseurs contenant du chlore, pour empêcher la corrosion. Lorsque c'est approprié, appliquez un poli conçu pour les surfaces en inox (comme Benefit, ou Super Sheen) afin d'ajouter une protection et un lustre additionnels.

DIRECTIVES POUR PRÉSERVER LES SURFACES EN INOX

Certains odeurs peuvent demeurer dans le four lorsque certains aliments sont cuits à basse température. Vous pouvez éliminer ces odeurs en réglant le thermostat à 500°F (260°C), et en faisant chauffer le four à vide durant 30 à 45 minutes.

N'utilisez jamais de poudre à récurer sur les fenêtres en verre ; ceci égratignerait le verre et opacifierait la fenêtre.

Les grilles recouvertes de nickel ainsi que les glissières des grilles sont conçues pour aller au lave-vaisselle, et peuvent être enlevées pour fins de nettoyage.

Pour les résidus carbonisés de nourriture sur les panneaux extérieurs qui résistent à un nettoyage simple à l'eau et au savon, vous pouvez utiliser un nettoyeur abrasif (une poudre à récurer) mélangé avec une pâte. Appliquez celle-ci sur une éponge ou un tampon de laine d'acier, et frottez dans le sens du « grain ». Ce traitement est également efficace pour les « décolorations » dues à la chaleur (zones légèrement brunes suite à l'oxydation). Ici encore, frottez toujours dans le sens du polissage de la surface en inox. Rincez à l'eau claire, et asséchez avec un chiffon doux.

Nettoyez quotidiennement l'intérieur en porcelaine avec de l'eau et du savon ou du détergent. Rincez soigneusement, et asséchez avec un chiffon doux propre.

Les panneaux extérieurs du four en acier inox doivent être nettoyés avec un chiffon humide. Vous pouvez utiliser du détergent pour les taches tenaces (N'UTILISEZ PAS LE NETTOYANT DAWN®). Rincez soigneusement, et asséchez avec un chiffon doux propre.

Nettoyage quotidien

Nettoyez le ventilateur chaque semaine avec du nettoyeur à four. Servez-vous d'une brosse à soies raides pour nettoyer les lames. Prenez soin de ne pas endommager ou plier les lames du ventilateur. Assurez-vous d'enlever tous les débris et résidus.

Ventilateur

Le tube de circulation de chaleur, situé à l'arrière de la chambre du four, ne doit jamais être bouché. Le tube doit demeurer propre et être nettoyé fréquemment pour le bon fonctionnement du four. Nettoyez le tube au moins une fois par semaine avec du nettoyeur à four régulier. Assurez-vous de bien rincer toute la solution de nettoyage avant d'utiliser le four de nouveau. Il est d'ailleurs recommandé de faire fonctionner le four à 400°F (204°C) durant 20 minutes avant de réutiliser le four, afin de brûler tout résidu de solution de nettoyage qui n'aurait pas été bien rincé au moment du nettoyage.

Tube de circulation de chaleur de type « snorkei »

Laissez le four refroidir avant de procéder au nettoyage.

⚠ AVERTISSEMENT : Coupez l'alimentation électrique de l'appareil et suivez les procédures de verrouillage et d'étiquetage.

NETTOYAGE

RÉCHAUFFAGE D'ALIMENTS PRÉPARÉS

Produits	Température °F	Température °C	Temps en minutes	Nombre de plateaux
Frites surgelées	400-450	204-232	6 à 8	4
Repas congelés	350-400	177-204	10 à 12	2-5
Entrées surgelées	300-350	149-177	10 à 20	2-5
Repas surgelés, 8 oz (226 g), emballage alu.	350-400	177-204	20 à 30	2-5
Bâtonnets de poisson et portions	350-400	177-204	6 à 10	2-4
Surgelés panés, 1 oz (28 g)	350-400	177-204	8 à 15	2-4
2 ½ à 3 oz (71 à 85 g)	350-375	177-191	8 à 15	2-4
Morceaux de poulet				
Rôtis ou frits au four				
2 à 2 ½ lb (0,9 à 1,1 kg) /poulet	375-425	191-218	8 à 15	2-5-2
2 ½ à 3 lb (1,1 à 1,4 kg) /poulet	350-400	177-204	15 à 25	4
Homards – 1 à 1 ½ lb (0,45 à 0,7 kg)	400-450	177-204	15 à 25	2-4
Queues de homard – surgelées				
½ à ¾ lb (0,2 à 0,3 kg)	350-400	177-204	10 à 15	2-4
Galettes de bœuf haché				
8 par lb (0,45 kg), médium à bien cuit	400-450	204-232	5 à 6	2-6
6 par lb (0,45 kg)	400-450	204-232	7 à 10	2-6
4 par lb (0,45 kg)	375-450	191-232	8 à 12	2-6
PLATS MIJOTÉS				
Plats de service				
2 à 3 po (51 à 76 mm) de profondeur	325-375	162-191	15 à 25	2-4
3 à 4 po (76 à 102 mm) de profondeur	325-375	162-191	20 à 25	2-4
Ramequins ou plats en alu				
Jusqu'à 1 ½ po (38 mm) de profondeur	350-400	177-204	5 à 6	4-5
Surgelés			10 à 15	2-4
PRODUITS DIVERS				
Pommes de terre au four				
Qté de 120 par 50 lb (22,7 kg)	400-450	204-232	20 à 25	2-5-2
Qté de 100 par 50 lb (22,7 kg)	400-450	204-232	25 à 40	5-2-5
Qté de 80 par 50 lb (22,7 kg)	400-425	204-218	30 à 45	2-4
Pizzas – surgelées ou avec pâte précuite				
425-475	218-247	5 à 10	2-4	
400-425	204-218	8 à 10	2-4	
Sandwiches grillés au fromage				
400-425	204-218	8 à 10	2-4	

TEMPÉRATURES, DURÉES ET NOMBRE DE GRILLES POUR LA CUISSON PÂTISSERIE/BOULANGERIE

Produits	Température °F	Température °C	Temps en minutes	Nombre de plateaux
Gâteaux Gâteaux carrés Plaques de 18 x 26 x 1 po (457 x 660 x 25 mm) Réduits à 4 ½ à 6 lb (2 à 2,7 kg) / plaque Réduits à 6 à 8 ½ lb (2,7 à 3,4 kg) / plaque	325-360	163-182	20 à 23,5	4
Gâteaux carrés Réduits à 10 à 12 lb (4,5 à 5,4 kg) / plaque Plaques de 18 x 26 x 2 po (457 x 660 x 51 mm) Réduits à 5 à 6 lb (2,3 à 2,7 kg) / bac ou, deux bacs de 12 x 18 x 2 po (305 x 457 x 51 mm)	300-325	149-163	25 à 35	3
Gâteaux des anges ou gâteaux éponge Plaques de 18 x 26 x 1 po (457 x 660 x 25 mm) Réduits à 5 à 6 lb (2,3 à 2,7 kg) / plaque	300-325	149-163	15 à 20	4
Moule à pain ou tubulaire Réduits à 20 à 30	315-340	157-171	20 à 30	3-4
Muffins Tartes aux fruits surgelés Tartes à la citrouille ou à la crème anglaise Tourtes 12 x 18 x 2 po (305 x 457 x 51 mm) ou 12 x 20 x 2 ½ po (305 x 508 x 64 mm) Tartes à la meringue 350-425	350-400	177-204	6 à 10	2-4
Renversés aux fruits 18 x 26 x 1 po (457 x 660 x 25 mm) NOTE : tartes et tourtes ; les tartes aux fruits, à la crème anglaise et à la citrouille dans des moules à tarte doivent être placées sur des plaques de 18 x 26 x 1 po (457 x 660 x 25 mm) pendant la cuisson.	350-375	177-191	15 à 25	3-5
Biscuits Roules ou pressés Boules Carres au chocolat Pains à levain / NOTE : les pains à levain doivent être testés pour les meilleurs résultats Roules – 1 oz (28 g) 1 ½ à 2 ½ oz (43 à 71 g) Pain régulier – 1 lb (453,4 g)	350-400	177-204	5 à 10	3-4
Roules – 1 oz (28 g) 1 ½ à 2 ½ oz (43 à 71 g) Pain régulier – 1 lb (453,4 g)	350-400	177-204	8 à 15	3-4
Rouleurs et pâtisseries danoises 325-375	163-191	163-191	5 à 15	3-4
Biscuits – roules ½ po (13 mm) d'épaisseur	350-400	177-204	5 à 15	3-4
Muffins Plaques de 18 x 26 x 1 po (457 x 660 x 25 mm), 5 à 7 lb (2,3 à 3,2 kg) / plaque	325-375	163-191	6 à 18	3-4
Plaques de 18 x 26 x 2 po (457 x 660 x 51 mm), 5 à 7 lb (2,3 à 3,2 kg) / plaque	335-400	168-204	10 à 20	4
Muffins au son 8 à 20 lb (3,6 à 9 kg) / plat	335-385	168-196	15 à 25	4
			10 à 20	3-4

TEMPÉRATURES ET DURÉES RECOMMANDÉES POUR LE RÔTISSAGE

Selon les recommandations de la USDA et du « American Meat Institute », le rôtissage de la viande s'effectue le mieux entre 225 et 325°F (107 à 163°C) pour le bœuf, l'agneau, la volaille et le jambon, et à 325°F (163°C) pour le porc frais.

Un récipient rempli d'eau d'approximativement 12 x 20 x 1 po (305 x 508 x 25 mm) peut être placé dans le fond du four. Ceci produit de l'humidité qui réduit le rétrécissement des viandes. Durant le rôtissage, vous pouvez ajouter de l'eau dans le récipient au besoin.

Les rôtissoires ne devraient pas être plus profondes que le strict nécessaire pour récupérer les jus de cuisson (habituellement de 2 à 2 1/2 po (51 à 64 mm)).

Le temps de cuisson et le rétrécissement peuvent varier selon la température de rôtissage, la coupe et la qualité de la viande, et le degré de cuisson désiré. Pour une température donnée, ce sont les coupes de plus petit volume qui permettent une économie de temps plus grande.

PRODUIT	TEMPÉRATURE		TEMPS APPROXIMATIF
	°F	°C	
Rôti de côte de bœuf – Four prêt	250	121	3 à 4 h – saignant 4 à 4 ½ h – médium 4 heures – médium 3 heures – médium/bien cuit
Rôti de bœuf – 20 à 22 lb (9,1 à 10 kg)	275	135	3 heures – médium/bien cuit
Rôti de veau – 15 lb (6,8 kg)	300	149	3 heures
Dinde – 15 à 20 lb (6,8 à 9,1 kg)	300	149	45 à 60 minutes
Pain de viande – 8 à 10 lb (3,6 à 4,5 kg)	350	177	

ASTUCES DE CUISSON

La cuisson par convection d'air forcé est plus rapide que la cuisson traditionnelle au four; par conséquent, la surcuisson est plus fréquente. Pour obtenir les meilleurs résultats, évitez de cuire certains aliments plus rapidement qu'il n'est pratiqué de le faire. La cuisson par convection insufflée de la chaleur à la surface d'un aliment; donc, plus le produit est volumineux pour sa catégorie, plus il prend de temps pour absorber suffisamment de chaleur et cuire.

Le four peut réaliser la cuisson générale ou la cuisson de boulangerie de chargements, pleins ou partiels, aux températures standard indiquées dans les recettes. Comme avec n'importe quel four, vous souhaitez peut-être utiliser un réglage allant jusqu'à 25°F (4°C) plus élevé ou plus bas que la recette établie pour obtenir le résultat que vous préférez.

Une fois les durées et températures de cuisson par convection établies, prenez soin de les noter sur votre recette.

DIRECTIVES SUGGÉRÉES DE CUISSON

Les durées et températures de cuisson, ainsi que le nombre de grilles, ne sont fournis que pour vous guider. On doit les ajuster en fonction des variations dans les recettes, des ingrédients, du type de préparation ainsi que de la préférence du chef quant à la présentation des aliments.

Le four n'exige pas de recette particulière. Vous pouvez obtenir d'excellents résultats à partir d'une bonne recette commerciale, avec des temps de cuisson diminués adéquatement.

PROCÉDURES SPÉCIALES POUR LA BOULANGERIE

La cuisson des pains avec levain nécessite que la cuisson débute immédiatement en mode convection dans le four. Les pains à levain ne lèvent généralement pas autant dans un four à convection que dans un four conventionnel. Il est donc habituellement nécessaire d'allonger le temps de levage en visant une augmentation de volume de $2\frac{1}{2}$ à 3 fois, pour les meilleurs résultats.

Lorsque vous faites cuire des tartes dans votre four à convection, placez de trois à quatre tartes sur une plaque à pâtisserie ou à pain de 18 x 26 po. Ce processus permet à la croûte du fond de cuire adéquatement, facilite la manipulation et évite surtout les débordements qui pourraient affecter l'apparence de vos tartes sur les grilles inférieures.

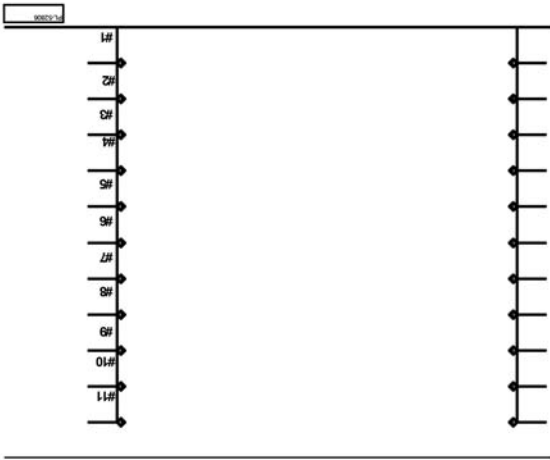
INTERRUPTEUR DE CHALEUR MAXIMALE

Tous les fours sont munis d'un interrupteur de chaleur maximale, qui surveille la température du four afin d'éviter la surchauffe. Cet interrupteur fonctionne indépendamment des contrôles et provoque l'arrêt automatique du four en cas de défaillance du commutateur principal. Si cette situation se produit, ne tentez PAS de contourner l'action de l'interrupteur de chaleur maximale. Éteignez le four, et contactez votre agence de service Vulcan autorisée.

particuliers. Il est à noter que certains utilisateurs, une fois l'habitude établie d'effectuer beaucoup de cuissons de toutes sortes, ont développé d'autres combinaisons de grilles pour répondre à leurs besoins (voir la table de cuisson à la fin de ce manuel).

Lorsque la grille est en position #1, il ne reste pas beaucoup de place pour y glisser un récipient d'eau d'aliments jusqu'à une hauteur de 7 po (178 mm).
 Combinaison #4 – deux grilles dans les positions #1 et #6, pour rôtir des dindons et autres types une profondeur de 5 ½ po (140 mm), avec des produits n'excédant pas 6 po (152 mm) de hauteur. Combinaison peut aussi servir pour des plats mijotés, des plats de viande ou de pâtisserie ayant jusqu'à dans des moules carrés plus élevés ou tubulaires, ainsi que des tartes à la meringue hautes. Cette Combinaison #3 – trois grilles dans les positions #1, #5 et #9 pour la cuisson de pains ou de gâteaux

Fig. 4
POSITION DES GRILLES



Combinaison #2 – cinq grilles dans les positions #1, #4, #7 et #10 pour la cuisson à l'aide de plaques à pâtisserie, de moules à muffins, de moules à tartes ou à gâteaux ainsi que de moules à pudding de 3 ½ po (89 mm) de hauteur, contenant des produits qui ne dépassent pas 4 po (102 mm) de hauteur. Cette combinaison peut également être utilisée pour des plats mijotés ou des plats de viande faisant usage de bacs gastronomes de la série #200, de 12 x 20 x 2 ½ po (305 x 508 x 64 mm).

Combinaison #1 – cinq grilles dans les positions #2, #4, #6, #8 et #10 pour les biscuits ou le réchauffage de plats congelés à capacité maximale. Cette combinaison est également conseillée pour la cuisson, sur des plaques de pâtisserie, de produits ne dépassant pas 2 ½ pouces (64 mm) de hauteur.

Les combinaisons suivantes sont recommandées. Les positions sont identifiées en ordre numérique, commençant au bas des glissières à grilles (voir la fig. 4).

Tous les modèles de four sont livrés de série avec cinq grilles, et ont une capacité maximale de six grilles par four. Les glissières de grilles à onze (11) positions offrent une flexibilité maximale tout en favorisant un espacement optimal des grilles.

COMBINAISON DES GRILLES

Le four à convection est plus rapide qu'un four conventionnel ; les températures de cuisson sont plus basses, et les durées plus courtes. Les recettes et la préparation des aliments étant sujettes à bien des variations et à des goûts différents, considérez que les indications de ce manuel sur les durées et les températures ne sont que des SUGGESTIONS. Expérimentez avec vos propres aliments afin de déterminer les températures et les durées de cuisson qui donnent les meilleurs résultats.

Prenez en note les températures et durées de cuisson pour une gamme variée de produits alimentaires. Le four à convection permet d'obtenir des résultats constants et faciles à répéter.

Lorsque vous utilisez pour la première fois le four à convection pour un certain type d'aliment, vérifiez la progression de la cuisson à quelques reprises avant l'écoulement de la durée suggérée. Ceci assurera d'obtenir la cuisson désirée.

ASTUCES D'UTILISATION

Les opérations de cuisson peuvent être améliorées par l'utilisation d'ustensiles adéquats. Des bacs légers ou pas trop lourds permettent aux aliments de se réchauffer plus rapidement. Pour griller les viandes, utilisez des bacs assez profonds pour retenir les jus, mais qui sont suffisamment bas pour favoriser une bonne circulation d'air.

LES USTENSILES APPROPRIÉS

CUISSON

1. Ouvrez les portes du four, et chargez vos produits dans le four. Placez vos plats au centre des grilles. Refermez les portes.
2. Réglez la minuterie. Une fois le temps fixé écoulé, tournez la minuterie en position OFF pour interrompre l'avertisseur sonore.
3. Lorsque vos produits sont cuits, ouvrez les portes et retirez prudemment ceux-ci du four. Soyez prudent si vous devez nettoyer des débordements, car le four est encore chaud.

FIN DE LA JOURNÉE

1. Tournez le thermostat en position « ARRÊT » (OFF).
2. Placez le commutateur principal en position « REFROIDISSEMENT » (OVEN COOL). Laissez les portes entrouvertes pendant que le ventilateur refroidit le four.
3. Lorsque le four est suffisamment refroidi, placez le commutateur principal à « OFF ».
4. Fermez la vanne d'alimentation du gaz, et procédez au nettoyage du four.

Arrêt prolongé

Répétez les étapes 1 à 3 de la procédure de fin de journée. Débranchez le four de son alimentation électrique, et fermez la vanne manuelle d'alimentation du gaz.

CONSERVATION D'ÉNERGIE – TOUS LES MODÈLES

- Éteignez toujours les appareils qui ne sont pas utilisés.
- Ajustez les menus et les horaires de cuisson et d'étuvage pour optimiser l'utilisation des appareils.
- Réduisez le réglage du thermostat en période plus calme, car les appareils au gaz peuvent être chauffés et ramenés plus rapidement aux températures de cuisson.
- Réglez votre préchauffage à la température nécessaire à la cuisson d'un aliment particulier – et non à une température plus élevée.
- N'ouvrez pas inutilement les portes du four.
- Gardez les abords des portes du four propres, et sans résidus de nourriture.
- Toute obstruction qui empêche les portes du four de se fermer complètement réduit l'efficacité du four.

Lorsque le mode de cuisson « En douceur » (Gentle) est sélectionné, le témoin de chauffage s'allume selon un cycle de 22 secondes de marche, et de 8 secondes d'arrêt, jusqu'à ce que la température désirée soit atteinte. Lorsque celle-ci est atteinte, le témoin de chauffage s'éteindra plus de huit secondes.

Mode de cuisson « En douceur » (Gentle)

1. Choisissez une bonne distribution de grilles pour la cuisson de vos produits. Voir la section COMBINAISON DES GRILLES à la page 12.
2. Assurez-vous que les portes sont bien fermées.
3. Placez le commutateur principal à « MARCHÉ » (ON). Le témoin de couleur ambre s'allume, ce qui indique que le four est maintenant en marche.
4. Sélectionnez la vitesse du ventilateur à l'aide du commutateur de vitesse.
5. Réglez le thermostat à la température désirée. Le témoin de chauffage s'allume, et demeure allumé jusqu'à ce que le four atteigne la température fixée (environ de 10 à 15 minutes pour un réglage entre 300 et 400°F (149 à 204°C)). Veuillez consulter les DIRECTIVES DE CUISSON SUGGÉRÉES pour connaître les températures et les temps de cuisson de divers produits.
6. Préparez vos produits pour la cuisson et placez-les dans des récipients appropriés. Lorsque le témoin de chauffage blanc s'éteint, le four a atteint la température de préchauffage désirée. Si le brûleur refuse de s'allumer, le témoin du brûleur s'allume et demeure allumé.

Préchauffage

UTILISATION DES FOURS DE MODÈLES SG4 ET SG6

1. Placez le commutateur principal à ARRÊT (OFF).
2. Coupez l'alimentation du gaz ainsi que l'alimentation électrique.

ARRÊT PROLONGÉ D'UTILISATION

1. Placez le commutateur principal à ARRÊT (OFF).

ARRÊT DE L'UTILISATION

- Si le four ne s'allume pas après trois essais, fermez la vanne d'alimentation principale du gaz, et contactez un fournisseur de service qualifié.
1. Ouvrez l'alimentation principale du gaz.
 2. Placez le commutateur principal à MARCHÉ (ON).
 3. Si le brûleur ne s'allume pas, remettez le commutateur principal à ARRÊT (OFF). Attendez 5 minutes, puis essayez de nouveau.

ALLUMAGE DES FOURS DE MODÈLE SG4 ET SG6

1. À l'aide d'un chiffon propre humide, essuyez l'intérieur du four ainsi que les glissières à grilles.
2. Fermez les portes du four.
3. Placez le commutateur à MARCHÉ (ON).
4. Réglez le thermostat à 300°F (149°C), puis laissez le four allumé durant deux heures, ou jusqu'à ce qu'aucune odeur ne soit détectée. Ensuite, tournez le commutateur principal à ARRÊT (OFF).

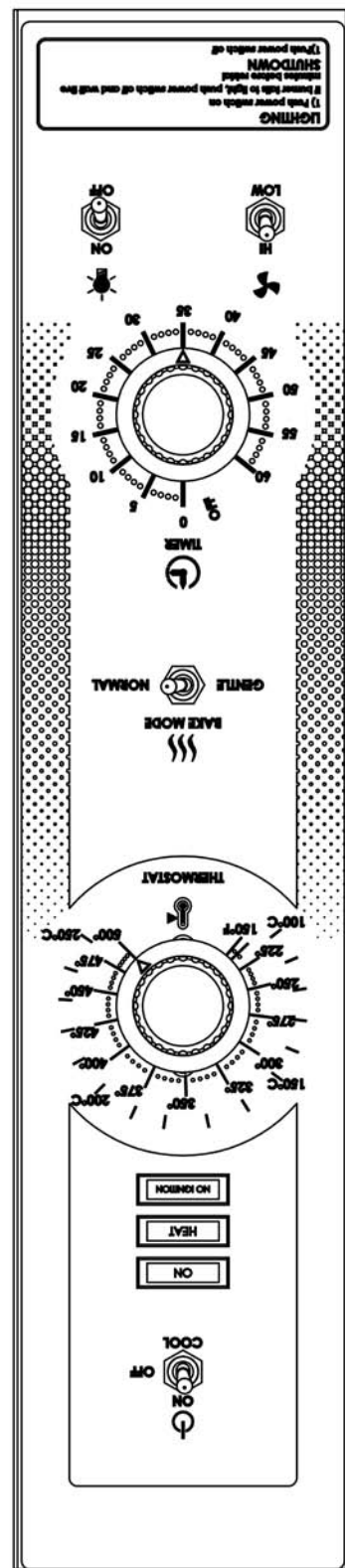
Avant d'utiliser le four pour la première fois, il doit être « rodé », afin d'éliminer toute odeur pouvant résulter du chauffage de la surface neuve de l'enceinte de cuisson.

AVANT LA PREMIÈRE UTILISATION

Le four et ses composantes sont chauds. Soyez prudent au moment de l'utilisation, du nettoyage ou de l'entretien du four.

UTILISATION

<p>Commutateur principal MARCHE «ON» ARRÊT «OFF»</p> <p>Met en marche les circuits du four. Arrête les circuits du four.</p>	<p>REFROIDISSEMENT «OVEN COOL»</p> <p>Permet au moteur du ventilateur de fonctionner avec les portes ouvertes, pour accélérer le refroidissement du four.</p> <p>S'allume lorsque le commutateur principal est à MARCHE.</p> <p>S'allume et s'éteint selon le départ et l'arrêt du cycle du brûleur.</p> <p>S'allume si le brûleur ne réussit pas à s'allumer. Au moment d'effectuer l'allumage du four, ce témoin clignote.</p>	<p>Thermostat</p> <p>Contrôle la température du four durant les opérations de cuisson.</p> <p>Sélectionnez « Normal » pour fonctionner à 100% de la puissance, ou « En douceur » (Gentle) pour seulement 75%.</p> <p>Fixe la durée de cuisson. L'avertisseur sonore se fait entendre en continu lorsque la minuterie revient à zéro. Le four ne s'éteint pas automatiquement. Pour faire cesser l'avertisseur, placez la minuterie à ARRÊT (OFF). Laissez la minuterie à ARRÊT (OFF) lorsque le four n'est pas utilisé.</p>	<p>Mode de cuisson « Bake Mode »</p> <p>Minuterie «Timer» (1 hr. ou 5 hr.)</p> <p>Commutateur de vitesse du ventilateur «Fan Speed Switch»</p> <p>Au besoin, sélectionnez « HI » (haute vitesse) ou « LO » (basse vitesse).</p>	<p>Commutateur de la lumière du four «Lights Switch»</p> <p>Allume (« ON ») ou éteint (« OFF ») la lumière interne du four.</p>
--	---	--	---	---



Complié selon les dispositions du Code national de l'électricité (National Electrical Code), NFPA-70 (édition la plus récente)

Modèles	V/HZ/PH	Amperage de circuit minimal Dispositif maximal de protection A
SG6	240/50/1	15
SG4	240/60/1	15
	208/60/1	15
	120/60/1	15

SPÉCIFICATIONS ÉLECTRIQUES

Vous pouvez consulter le diagramme d'interconnexions situé à l'intérieur de la boîte de contrôle.

Les fours de la série SG dont les spécifications électriques sont de 120/60/1 PH sont livrés de série avec un cordon d'alimentation muni d'une fiche électrique adéquate.

⚠ AVERTISSEMENT : les appareils livrés avec un cordon flexible d'alimentation électrique sont également munis de fiches à trois branches. Il est primordial que cette fiche soit branchée dans une prise électrique conçue pour ces trois branches, et correctement mise à la terre. Si la prise électrique ne présente pas le bon type de mise à la terre, contactez un électricien. N'enlevez pas la tige de mise à la terre de la fiche de branchement.

⚠ AVERTISSEMENT : les connexions électriques et les mises à la terre doivent respecter les sections pertinentes du « National Electrical Code » (Code national de l'électricité), du Code Canadien de l'Électricité, ainsi que celles des autres codes de votre localité en vigueur.

CONNEXIONS ÉLECTRIQUES

Vous pouvez obtenir plus de renseignements sur la construction et l'installation de hottes de ventilation en consultant le standard NFPA no. 96 (édition la plus récente) « Élimination de la vapeur des appareils de cuisson » (Vapor Removal from Cooking Equipment), standard que vous pouvez procurer auprès de la National Fire Protection Association, Batterymarch Park, Quincy, MA 02269.

Un dégagement minimal de 18 pouces (457 mm) doit être respecté en tout temps entre le haut de la cheminée du four et les filtres de la hotte de ventilation.

Les fours peuvent utiliser la méthode du déviateur d'air descendant offert en option. Un tel déviateur peut être acheté chez le manufacturier du four, et l'air évacué vers l'extérieur; autrement, l'installation de tout système similaire annule toutes les certifications du four ainsi que sa garantie. Ce four est compatible pour être utilisé avec une hotte de ventilation de type B, lorsqu'il est utilisé avec le coupe-tirage fourni.

Il ne faut PAS obstruer le flux des gaz dans la cheminée située derrière le four. Il est recommandé que les gaz de la cheminée soient évacués à l'extérieur du bâtiment par l'entremise d'un système de ventilation installé par des techniciens qualifiés.

SYSTÈME DE VENTILATION

Contactez votre fournisseur local de service d'entretien Vulcan-Hart au besoin.

Un déficit d'air produit des flammes de couleur jaune, ce qui provoque une accumulation de carbone dans la chambre de combustion.

La prise d'air du brûleur principal est ajustée en usine avant l'expédition, mais elle doit quand même être vérifiée au moment de l'installation. Un surplus d'air peut provoquer des envolées de flammes lorsque le brûleur est froid, ou un retour de flammes durant l'usage normal du four, surtout lorsque l'on utilise du propane.

AJUSTEMENT DE LA PRISE D'AIR DU BRÛLEUR

Si la pression du gaz est de ½ psig (3,45 kPa) ou moins, le four doit être isolé du système d'alimentation en gaz en fermant la vanne d'arrêt manuelle de ce dernier.

Dans cette situation, un régulateur de pression doit être installé afin d'obtenir une pression de 8,0 po CE (gaz naturel) ou de 11,0 po CE (GPL).

Si la pression du gaz dépasse ½ psig (3,45 kPa), le four ainsi que sa vanne de détente doivent être débranchés du système d'alimentation en gaz.

TEST DU SYSTÈME D'ALIMENTATION EN GAZ

Une fois que les conduits ont été vérifiés, tous les tuyaux recevant le gaz doivent être pleinement purgés de l'air qu'ils pourraient encore contenir.

B. Vérifiez toutes les connexions au-delà de la vanne électromagnétique une fois l'appareil allumé.

A. Vérifiez toutes les connexions qui précèdent la vanne du gaz (électromagnétique) avant de procéder à l'allumage de l'appareil.

⚠ **AVERTISSEMENT** : avant de procéder à l'allumage, vérifiez toutes les connexions reliées à l'alimentation du gaz. Utilisez pour ce faire une solution d'eau savonneuse. N'utilisez pas une flamme nue.

NOTE : la pression de l'alimentation en gaz ne doit pas dépasser ½ psig (14 PO CE / 3,45 kPa), sinon, les vannes de gaz peuvent subir des dommages, ce qui annule la garantie.

Le four standard muni d'un allumage électronique est pourvu d'un régulateur intégré à la vanne électromagnétique; un régulateur externe n'est donc pas nécessaire.

Les fours sont munis d'orifices de brûleurs fixes qui coïncident avec l'altitude des lieux. Les tuyaux sont munis d'orifices de brûleurs fixes qui coïncident avec l'altitude des lieux. L'équivalent d'un tuyau de fer d'au moins ¾ de pouce (19 mm) de diamètre. Assurez-vous que les raccordez l'alimentation du gaz après avoir mis le four de niveau. Le conduit d'alimentation doit être sur la ligne d'alimentation avant l'arrivée au four.

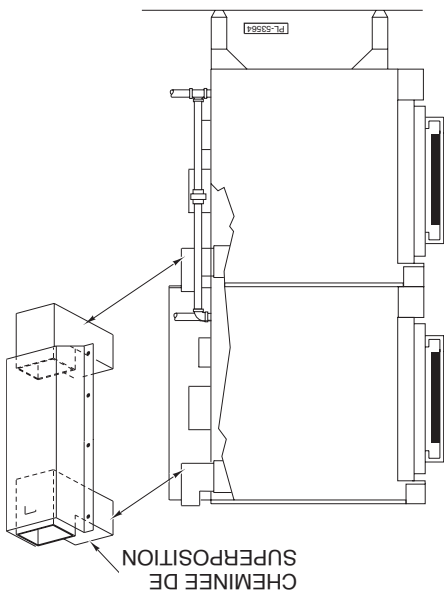
Les connexions entre les conduits d'alimentation du gaz, de même que la pâte à joint utilisée, doivent résister aux effets du gaz naturel ainsi que du gaz de pétrole liquéfié (GPL).

MODÈLE	Gaz naturel		Gaz propane	
	SG4	60 000 BTU/h	60 000 BTU/h	5,0 po CE (1,24 kPa)
SG6	60 000 BTU/h	60 000 BTU/h	5,0 po CE (1,24 kPa)	10 po CE (2,49 kPa)
CONSUMMATION THERMIQUE		PRESSION D'ADMISSION		

Assurez-vous que les fours sont bien de niveau à leur position finale d'utilisation. Si le four est installé sur des pattes, ajustez les pieds de mesure le four de niveau de l'avant vers l'arrière, et d'un côté à l'autre. Si le four est installé sur des roulettes afin de mettre le four de niveau de l'avant vers l'arrière, et d'un côté à l'autre. Une fois le niveau établi, resserrerz toutes les vis.

MISE DE NIVEAU

Fig. 3



Connectez les tuyaux entre le four du bas et celui du haut. Vous devez faire usage d'une pâte à joint résistante aux effets du gaz propane pour toutes les connexions des tuyaux de circulation du gaz. Installez la cheminée de superposition (voir fig. 30) à l'aide des quatre vis fournies.

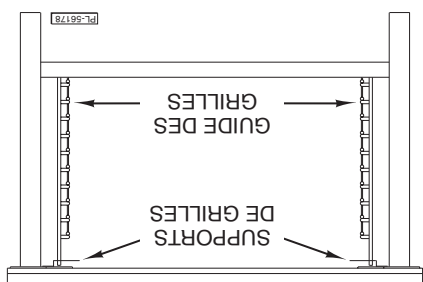
Amenez ensuite le four avec les pattes à son lieu d'utilisation, puis soulevez le four supérieur pour le placer sur le four inférieur, en vous aidant des goujons de repérage. Relevez le four inférieur (sur ses pieds) en position normale sur le plancher, puis enlevez les deux bouchons amovibles de 7/16 de pouce (11 mm) de diamètre, situés de chaque côté de la surface supérieure. Enlevez le garde de ventilation, et jetez-le.

Relevez le four inférieur (sur ses pieds) en position normale sur le plancher, puis enlevez les deux bouchons amovibles de 7/16 de pouce (11 mm) de diamètre, situés de chaque côté de la surface supérieure. Enlevez le garde de ventilation, et jetez-le. l'aide des 24 écrous et freins d'écrou (six par pied). blocs de 2 x 4 po (51 x 201 mm) ou autres). Fixez les quatre pieds à vous basculez le four : déposez-le sur des espaceurs adéquats (des dépasse de l'arrière, donc assurez-vous d'en tenir compte lorsque l'égratigner ou l'endommager. Le conduit d'alimentation en gaz d'avoir accès au côté inférieur du four, en prenant soin de ne pas le four prévu pour être en position inférieure sur le dos, afin Déballez les fours, ainsi que la trousse de superposition. Basculez

INSTALLATION DE FOURS SUPERPOSÉS

réinsérant dans les trous du support à grilles (voir fig. 2). l'assemblage des pattes en retirant un écrou du milieu, puis en le grille à l'extrémité des guides de grille. Fixez les supports à grille à (pour des grilles plates ou des tôles), puis installez les supports de Fixez les guides de grille sur la tablette inférieure aux endroits désirés

freins d'écrou (deux par patte). Fixez la tablette inférieure aux pattes à l'aide des huit écrous et



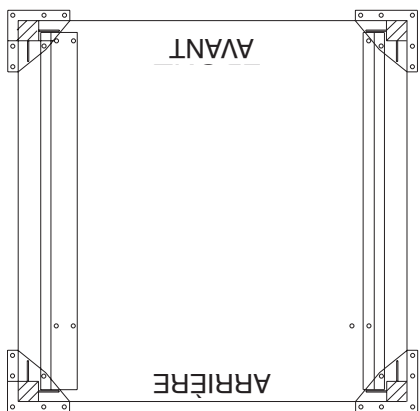
Fixez chacune des quatre pattes sous le fond du four à l'aide des 24 écrous et freins d'écrou (six par patte). Relevez ensuite doucement le four en position normale.

MONTAGE DU SUPPORT SOUS LE FOUR

Fixez chacune des quatre pattes sous le four à l'aide des 24 écrous et freins d'écrou (six par patte). Relevez ensuite doucement le four en position normale. l'égratigner ou l'endommager.

Les pattes doivent être installées sous le four. Basculez délicatement le four sur son côté, en prenant bien soin de ne pas

Assemblage des pattes sur le four



- Au Canada :**
1. Les codes de votre localité ;
 2. Le CSA B149.1, Code d'installation du gaz naturel et du propane,
 3. Le CSA C22.1, Code Canadien de l'électricité (édition la plus récente).
- Vous pouvez vous procurer les documents ci-dessus auprès de l'ACNOR, 5060 Spectrum Way, bureau 100, Mississauga, Ontario, Canada L4W 5N6.

INSTALLATION DU FOUR

Le four doit être installé sur des pieds, ou monté sur un support modulaire. Les installations sur des bases de ciment ou autres supports qui limitent la circulation d'air sous le four ne sont pas recommandées et peuvent annuler la garantie.

Fours montés sur des pieds à roulettes

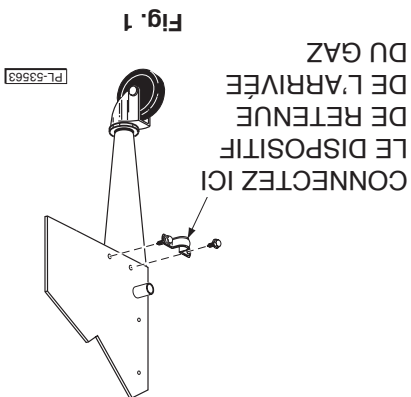
Les fours montés sur des pieds à roulettes doivent faire usage d'un connecteur flexible (non fourni par Vulcan) conforme à la norme ANSI Z21.69 – CSA 6.16, « Normes concernant les connecteurs pour les appareils au gaz amovibles », ainsi que d'un connecteur à désaccouplement rapide conforme au standard ANSI Z21.41 – CSA 6.9, « Norme touchant les dispositifs de désaccouplement à utiliser pour les appareils au gaz ». De plus, on doit mettre en place des moyens suffisants pour limiter le mouvement de l'appareil et ne pas compter uniquement sur le connecteur et le dispositif de désaccouplement, ainsi que sur la tuyauterie qui l'accompagne, pour restreindre les mouvements de l'appareil. Fixez le dispositif de retenue à l'arrière du four, tel que le montre la figure 1.

Enlevez les deux vis à l'arrière du four, et installez la sangle d'attache fournie avec les pieds à roulette à l'aide de ces vis (voir fig. 1). Fixez le dispositif de retenue de la ligne de gaz à la sangle d'attache à l'arrière du four (voir fig. 1).

S'il s'avère nécessaire de déconnecter le dispositif de retenue, coupez l'alimentation du gaz avant d'effectuer l'opération. Rebranchez ce dispositif avant de rétablir l'alimentation en gaz et de remettre ensuite le four en position d'utilisation.

Des instructions séparées précisant comment installer les roulettes sur le four sont livrées avec les roulettes.

Note : si le four est installé sur des roulettes et doit être déplacé pour une raison quelconque, il est recommandé que le four soit remis de niveau d'avant vers l'arrière, et d'un côté à l'autre.



Tous les appareils au gaz ventilés par une hotte de ventilation, un système d'évacuation muni d'un registre ou par un système d'échappement motorisé doivent être en conformité avec la norme 248 CMR.

NOTE : au sein du Commonwealth du Massachusetts :

1. Les codes de votre état et de votre localité ;
2. Le « National Fuel Gas Code », ANSI/Z223.1/NFPA #54 (édition la plus récente). Vous pouvez vous procurer des copies auprès de l'American Gas Association Inc., Accredited Standards Committee 2223 @ 400 N. Capital St. NW, Washington, DC 20001, ou encore auprès du Secretary Standards Council, NFPA, 1 Batterymarch Park, Quincy, MA 02169-7471.

Aux États-Unis d'Amérique :

RÈGLEMENTS ET NORMES D'INSTALLATION

N'installez pas de ventilateurs qui soufflent directement sur le four. Lorsque c'est possible, évitez les fenêtres ouvertes à proximité du four. Évitez les ventilateurs muraux qui créent des courants d'air à travers la pièce.

Le four doit être installé de façon à ne pas obstruer les flots de convection et de ventilation. Vous devez assurer le dégagement adéquat des prises d'air de l'enceinte de cuisson. Assurez-vous également qu'il y ait une circulation suffisante d'air dans la pièce pour permettre la combustion du gaz dans les brûleurs du four.

La zone d'installation doit permettre un dégagement suffisant pour procéder aux entretiens et pour permettre une utilisation appropriée.

Une fois installé, le four doit respecter les exigences minimales suivantes de dégagement de structures inflammables : 1 pouce (25 mm) du côté gauche, 4 pouces (102 mm) du côté droit et 2 pouces (51 mm) à l'arrière. Dans le cas de structures non-inflammables, les distances de dégagement minimales doivent être les suivantes : 0 pouces (0 mm) du côté gauche, 4 pouces (102 mm) du côté droit et de 2 pouces (51 mm) à l'arrière. Le four peut être installé sur un plancher inflammable.

L'aire d'installation de l'appareil doit être libre de matières inflammables.

LOCALISATION

Ne vous servez pas des portes ou de leurs poignées pour soulever le four.

Déballer soigneusement le four, et placez-le dans une aire de travail dégagée à proximité de l'endroit où il sera installé de façon définitive.

contactez le transporteur dans les 15 jours suivant la livraison.

Immédiatement après avoir déballé le four, faites une inspection pour identifier les dommages possiblement subis durant le transport. Si le four est endommagé, conservez le matériel d'emballage et d'effectuer une livraison en toute sécurité, jusqu'au moment de la réception de l'équipement.

Ce four a été inspecté à sa sortie de l'usine de fabrication. La compagnie de transport est tenue

DÉBALLAGE

Avant de procéder à l'installation, assurez-vous que votre alimentation électrique ainsi que votre arrivée de gaz (naturel ou FL) correspondent aux spécifications indiquées sur la plaque signalétique, située à l'arrière du rebord du panneau supérieur à l'avant du four. Si votre alimentation ne correspond pas aux spécifications, stoppez l'installation. Contactez immédiatement votre détaillant ou Vulcan-Hart directement.

INSTALLATION

Installation, utilisation et entretien DES FOURS À CONVECTION AU GAZ DE LA SÉRIE SG

CONSERVEZ CE MANUEL POUR CONSULTATION ULTÉRIEURE

RENSEIGNEMENTS GÉNÉRAUX

Les modèles SG4 et SG6 sont caractérisés par un commutateur transistorisé de mode de cuisson et de contrôle de température. L'appareil est livré de série avec une minuterie à cadran d'une heure, ainsi qu'un moteur électrique de ½ CV (0,37 kW) à deux vitesses. Chaque four est livré avec cinq (5) GRILLES ; des grilles supplémentaires peuvent être ajoutées. La capacité calorifique du four est de 60 000 BTU/h.

Les fours sont tous dotés de série d'un revêtement intérieur en porcelaine.

La cavité intérieure du modèle SG6 est de 4 pouces (102 mm) plus profonde.

La tension standard des fours est de 120/60/1 et ils sont livrés avec un cordon et une fiche. Il est possible d'obtenir des tensions de 208/240 volts qui exigent des connexions fixes.

De série, les fours sont livrés avec des portes à ouverture indépendante ; des portes à ouverture simultanée peuvent être installées en option.

On compte parmi les autres options disponibles : un support ouvert permettant d'entreposer des grilles supplémentaires, et une trousse de superposition permettant d'installer deux fours l'un sur l'autre.

Les fours à convection au gaz de la série SG de Vulcan sont fabriqués à partir de matériaux et d'une main d'œuvre de la plus haute qualité. Votre four vous procurera plusieurs années d'utilisation satisfaisante dans la mesure où il est installé, utilisé et entretenu correctement.

Nous vous suggérons de lire ce manuel en totalité, et de suivre attentivement les directives qui y sont présentées.

CARACTÉRISTIQUES ET OPTIONS

Modèle	Thermostat	Minuterie	Lampes de four	Pattes	Support avec rangement	Voltage
SG4	Transistorisé	1 heure de série	De série	25 ¼ po (654 mm)	Option	120/60/1 de série
SG6				8 po (203 mm)		240/50/1 optionnel 240/60/1 optionnel 208/60/1 optionnel

MESURES DE SÉCURITÉ IMPORTANTES

CE MANUEL A ÉTÉ PRÉPARÉ À L'INTENTION D'UN PERSONNEL QUALIFIÉ ET AUTORISÉ À INSTALLER DES APPAREILS FONCTIONNANT AU GAZ ET À EFFECTUER LE DÉMARRAGE INITIAL CHEZ LE CLIENT DE MÊME QUE LE RÉGLAGE DES APPAREILS CONCERNÉS DANS CE MANUEL.

AFFICHER À UN ENDROIT VISIBLE LES PREMIERS SOINS À ADMINISTRER À TOUTE PERSONNE AYANT RESPIRÉ LES GAZ QUE CET APPAREIL DÉGAGE. ON PEUT SE PROCURER CES INFORMATIONS CHEZ LE FOURNISSEUR DE GAZ LE PLUS PROCHE.

IMPORTANT

EN CAS D'ODEURS DE GAZ, ÉTEINDRE L'APPAREIL PAR LE ROBINET D'ARRÊT PRINCIPAL ET COMMUNIQUER AVEC LA COMPAGNIE DE GAZ LA PLUS PROCHE OU AVEC LE FOURNISSEUR DE GAZ ATTIRÉ POUR L'ENTRETIEN.

MESURE DE SÉCURITÉ

NE PAS RANGER NI UTILISER DE L'ESSENCE NI TOUT AUTRE LIQUIDE OU VAPEUR INFLAMMABLES À PROXIMITÉ DE CET APPAREIL OU DE TOUT AUTRE APPAREIL.

⚠ AVERTISSEMENT L'INSTALLATION, LE RÉGLAGE, LA MODIFICATION ET L'ENTRETIEN INCORRECTS DE CET APPAREIL PEUVENT CAUSER DES DOMMAGES MATÉRIELS, DES BLESSURES ET MÊME LA MORT. LIRE LES INSTRUCTIONS D'INSTALLATION, DE FONCTIONNEMENT ET D'ENTRETIEN AVANT DE PROCÉDER À TOUTE INSTALLATION OU TOUT ENTRETIEN.

EN CAS DE PANNE DE COURANT, NE PAS FAIRE FONCTIONNER CET APPAREIL.

MODÈLES

SG4

SG6

MODÈLES SUPERPOSÉS

SG44

SG66



Pour de plus amples renseignements concernant Vulcan-Hart ou pour connaître le détaillant de pièces de rechange et de service le plus près de chez-vous, visiter notre site Web à l'adresse : www.vulcanequipment.com