

VULCAN

CATALOG OF REPLACEMENT PARTS

C24EO SERIES CONNECTIONLESS STEAMER

MODEL *ML NUMBER*

C24EO3 ML-136006

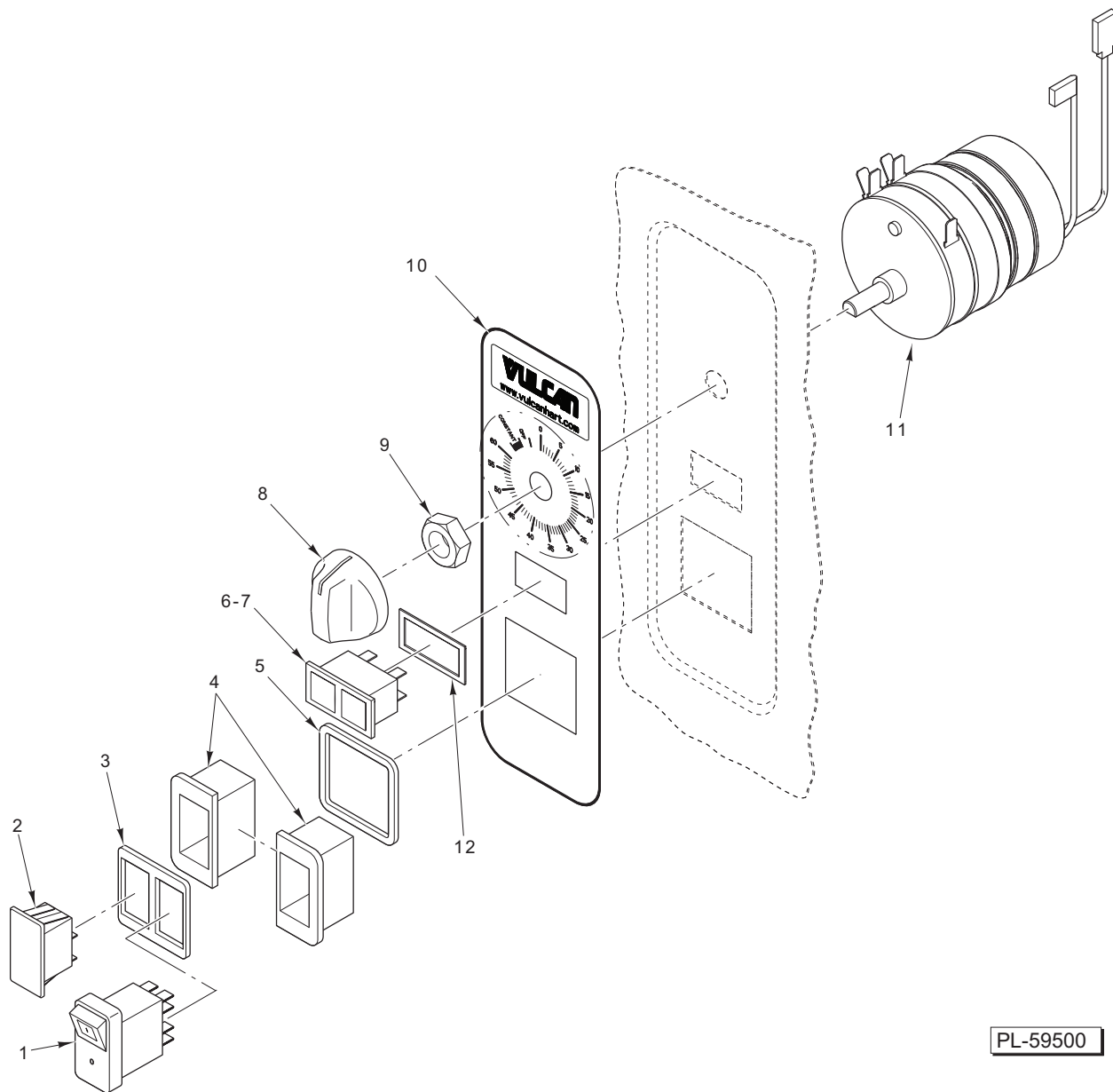
C24EO5 ML-136007



For additional information on Vulcan-Hart Company or to locate an authorized parts and service provider in your area, visit our website at www.vulcanequipment.com

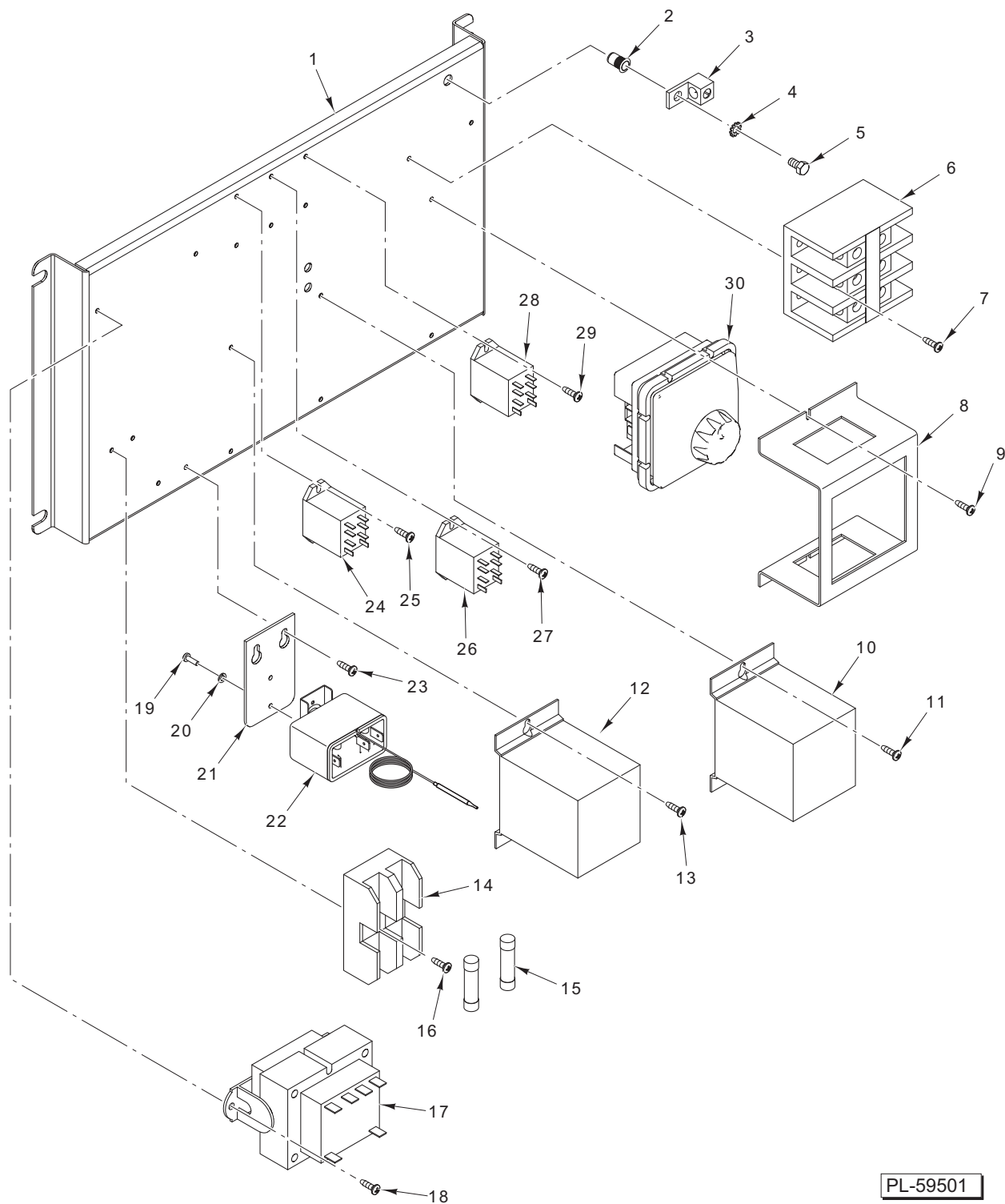
TABLE OF CONTENTS

3	CONTROLS
5	ELECTRICAL COMPONENTS
7	DOOR
9	COMPARTMENT
11	DRAIN ASSEMBLY
13	HEATER ELEMENT AND SHIELDS
15	CABINET



CONTROLS

ILLUS.	PART NO.	NAME OF PART	AMT.
PL-59500			
1	00-855677-00001	Switch – On/Off (Lighted)	1
2	00-854330-00001	Plug – Switch Hole.....	1
3	00-855795-00001	Gasket – Switch.....	1
4	00-855794-00001	Bezel – Switch	2
5	00-855796-00001	Gasket – Bezel	1
6	00-856679-00001	Light – Indicating Assy.	1
7	00-856680-00001	Plug – Blank Assy.	1
8	00-856773-00001	Knob – Timer	1
9	00-854693-00001	Shaft – Rotary Seal.....	1
10	00-856771-00002	Overlay – Control.....	1
11	00-856621-00001	Timer – Mechanical.....	1
12	00-856678-00001	Gasket	1

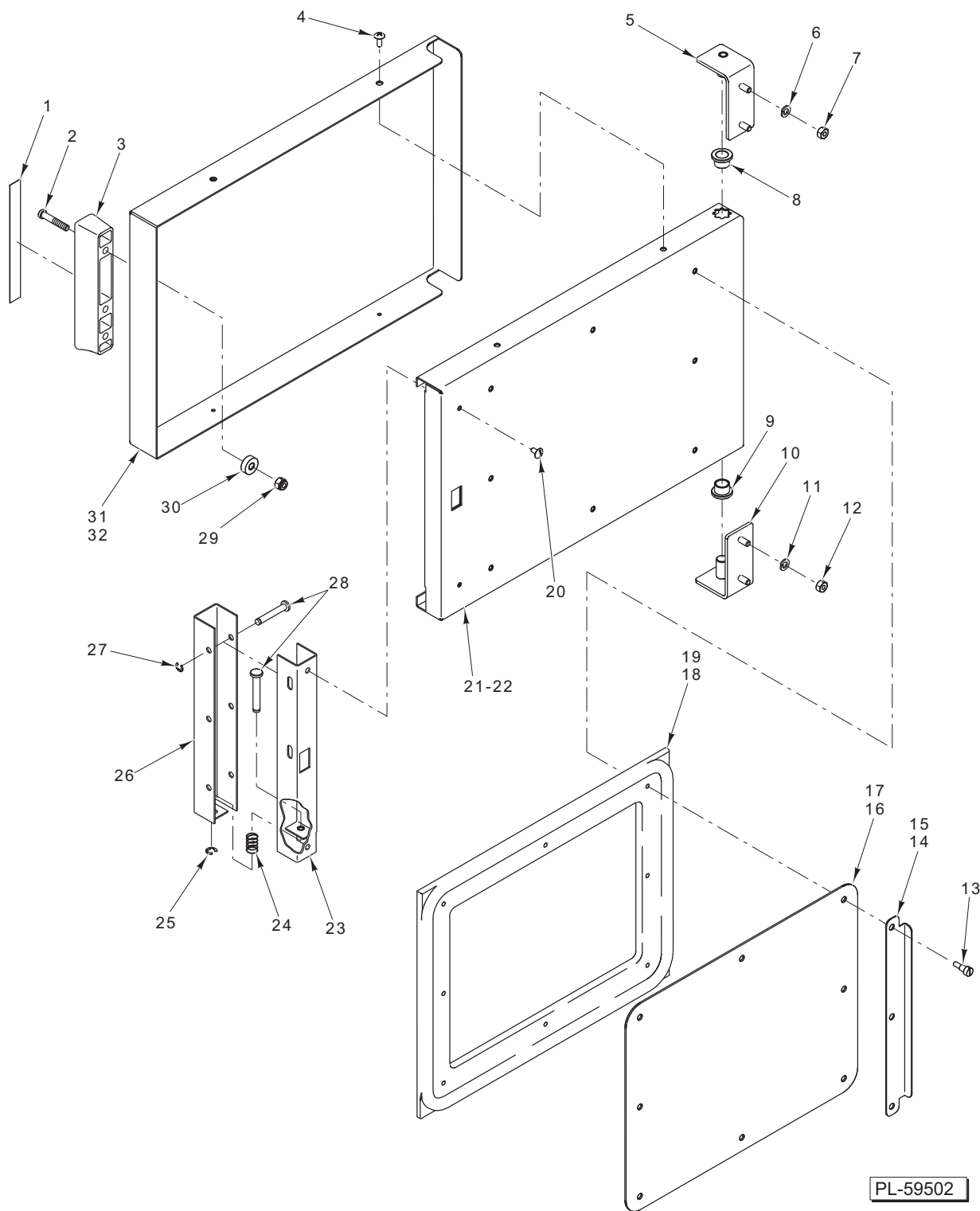


PL-59501

ELECTRICAL COMPONENTS

ELECTRICAL COMPONENTS

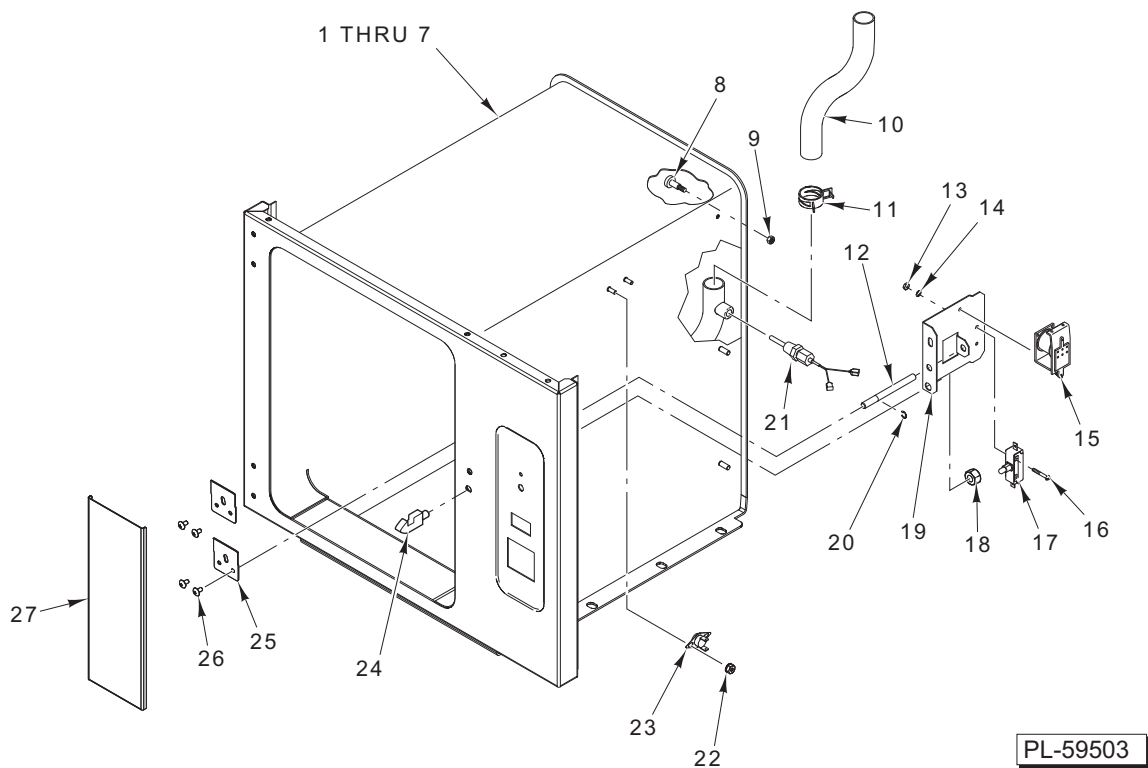
ILLUS.	PART NO.	NAME OF PART	AMT.
PL-59501			
1	00-857571-00001	Plate – Mounting.....	1
2	00-328479-00002	Nut – Insert.....	1
3	00-118544-00002	Lug – Ground.....	1
4	WL-014-07	Lockwasher #10 External.....	1
5	SC-120-23	Mach. Screw 10-24 x 3/8 Hex Hd.....	1
6	00-410472-00008	Block – Terminal (3 Pole).....	1
7	SD-019-29	Self-Tapping Screw 6-20 x 1/2 Phil. Pan Hd., Type B.....	2
8	00-857573-00001	Bracket – Controller.....	1
9	SD-019-29	Self-Tapping Screw 6-20 x 1/2 Phil. Pan Hd., Type B.....	2
10	00-840115	Contactactor (25 Amp.).....	1
11	SD-019-29	Self-Tapping Screw 6-20 x 1/2 Phil. Pan Hd., Type B.....	2
12	00-840115	Contactactor (25 Amp.).....	1
13	SD-019-29	Self-Tapping Screw 6-20 x 1/2 Phil. Pan Hd., Type B.....	2
14	00-855028-00001	Block – Fuse.....	1
15	00-423986-00001	Fuse – Power (KTX-R-3).....	2
16	SD-019-29	Self-Tapping Screw 6-20 x 1/2 Phil. Pan Hd., Type B.....	2
17	00-294500-00033	Transformer (60 VA, 50/60 Hz.).....	1
18	SD-019-29	Self-Tapping Screw 6-20 x 1/2 Phil. Pan Hd., Type B.....	2
19	SC-113-10	Mach. Screw 4-40 x 3/8 Phil. Pan Hd.....	1
20	WL-003-09	Lockwasher #6 Helical.....	1
21	00-857639-00001	Mount – High Limit.....	1
22	00-857637	Thermostat – High Limit Temperature.....	1
23	SD-019-29	Self-Tapping Screw 6-20 x 1/2 Phil. Pan Hd., Type B.....	2
24	00-416535-00006	DPST – Relay (120 V.).....	1
25	SD-019-29	Self-Tapping Screw 6-20 x 1/2 Phil. Pan Hd., Type B.....	2
26	00-416535-00006	DPST – Relay (120 V.).....	1
27	SD-019-29	Self-Tapping Screw 6-20 x 1/2 Phil. Pan Hd., Type B.....	2
28	00-416535-00006	DPST – Relay (120 V.).....	1
29	SD-019-29	Self-Tapping Screw 6-20 x 1/2 Phil. Pan Hd., Type B.....	2
30	00-857578-00001	Controller – Temperature.....	1



DOOR

DOOR

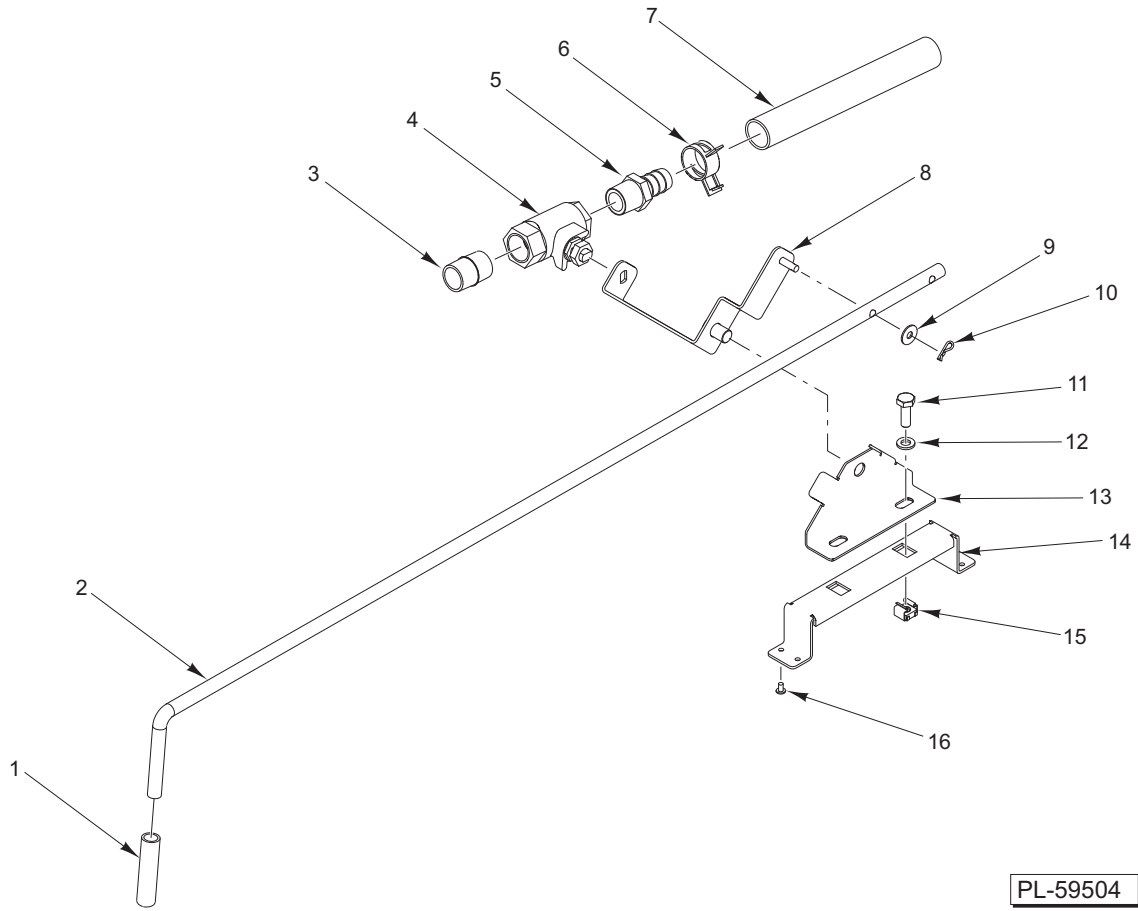
ILLUS.	PART NO.	NAME OF PART	AMT.
PL-59502			
1	00-855288-00001	Face Plate – Door Handle	1
2	SC-120-70	Cap Screw 1/4-20 x 1 5/8 Hex Socket Hd.....	2
3	00-855287-00001	Handle – Door.....	1
4	SC-066-20	Mach. Screw 10-32 x 1/2 Phil. Pan Hd.....	4
5	00-855521-00001	Hinge Assy. – Door (Top).....	1
6	WL-006-17	Lockwasher 1/4 Helical.....	2
7	NS-046-38	Nut 1/4-20 Hex (SST).....	2
8	00-817643	Bearing – Flanged	1
9	00-817643	Bearing – Flanged	1
10	00-855521-00002	Hinge Assy. – Door (Bottom).....	1
11	WL-006-17	Lockwasher 1/4 Helical.....	2
12	NS-046-38	Nut 1/4-20 Hex (SST).....	2
13	00-855597-00002	Screw 10-32 x 5/16 Slotted (SST)	3
14	00-855714-00001	Gasket – Door Guard (3 Pan).....	1
15	00-855714-00002	Gasket – Door Guard (5 Pan).....	1
16	00-855285-00001	Gasket Retainer – Door (3 Pan)	1
17	00-855285-00002	Gasket Retainer – Door (5 Pan)	1
18	00-855286-00001	Gasket – Door (3 Pan).....	1
19	00-855286-00002	Gasket – Door (5 Pan).....	1
20	SC-053-05	Mach. Screw 10-24 x 3/8 Slotted Truss Hd.	2
21	00-855581-00001	Door – Inner (3 Pan)	1
22	00-855581-00002	Door – Inner (5 Pan)	1
23	00-855583-00001	Bracket – Door Latch	1
24	00-855298-00001	Latch Spring – Door.....	1
25	RR-006-22	Ring – Retaining (1/4 In.).....	1
26	00-855585-00001	Latch Actuator – Door	1
27	RR-006-22	Ring – Retaining (1/4 In.).....	3
28	00-855590-00002	Pin – Clevis 1.525 In. Lg.....	4
29	NS-048-63	Stop Nut 1/4-20 Special.....	2
30	00-855290-00001	Bearing – Door Handle	2
31	00-855580-00001	Door – Outer (3 Pan)	1
32	00-855580-00002	Door – Outer (5 Pan)	1



COMPARTMENT

COMPARTMENT

ILLUS.	PART NO.	NAME OF PART	AMT.
PL-59503			
1	00-857555-00001	Compartment (3 Pan)	1
2	00-857569-00001	Compartment (5 Pan)	1
3	00-857601-00001	Insulation – Rear (3 Pan)	1
4	00-857602-00001	Insulation – Rear (5 Pan)	1
5	00-857553-00001	Wrap – Insulation (3 Pan)	1
6	00-857554-00001	Wrap – Insulation (5 Pan)	1
7	00-557598	Tape – Aluminum Foil	AR
8	00-855337-00001	Shoulder Screw 10-32 Slotted	4
9	NS-049-09	Nut Assy. 10-32 (SST)	8
10	00-557477	Hose 1 In. (Green)	AR
11	00-557847-00001	Clamp – Hose	2
12	00-855307-00001	Actuator Rod – Door	1
13	NS-011-07	Nut 6-32 Hex (SST)	2
14	WL-014-03	Lockwasher #6 External	2
15	00-411499-00004	Buzzer (115 V.)	1
16	SC-021-12	Mach. Screw 6-32 x 1 Slotted Rd. Hd.	1
17	00-842049	Switch – Door	1
18	NS-015-13	Nut ³ / ₈ -16 Hex (SST)	1
19	00-855308-00001	Actuator Bracket – Door	1
20	RR-006-22	Ring – Retaining	2
21	00-857610-00001	Probe – Temperature	1
22	NS-044-09	Nut Assy. 10-24	2
23	00-857603-00001	Thermostat – Hold	1
24	00-855586-00001	Bullet – Door	1
25	00-857574-00001	Mount – Baffle	2
26	SC-066-22	Mach. Screw 10-32 x ³ / ₈ Phil. Truss Hd. (SST)	4
27	00-857577-00001	Baffle Assy. – Exhaust	1
	00-855355-00001	Rack – Wire (3 Pan)	AR
	00-855355-00002	Rack – Wire (5 Pan)	AR

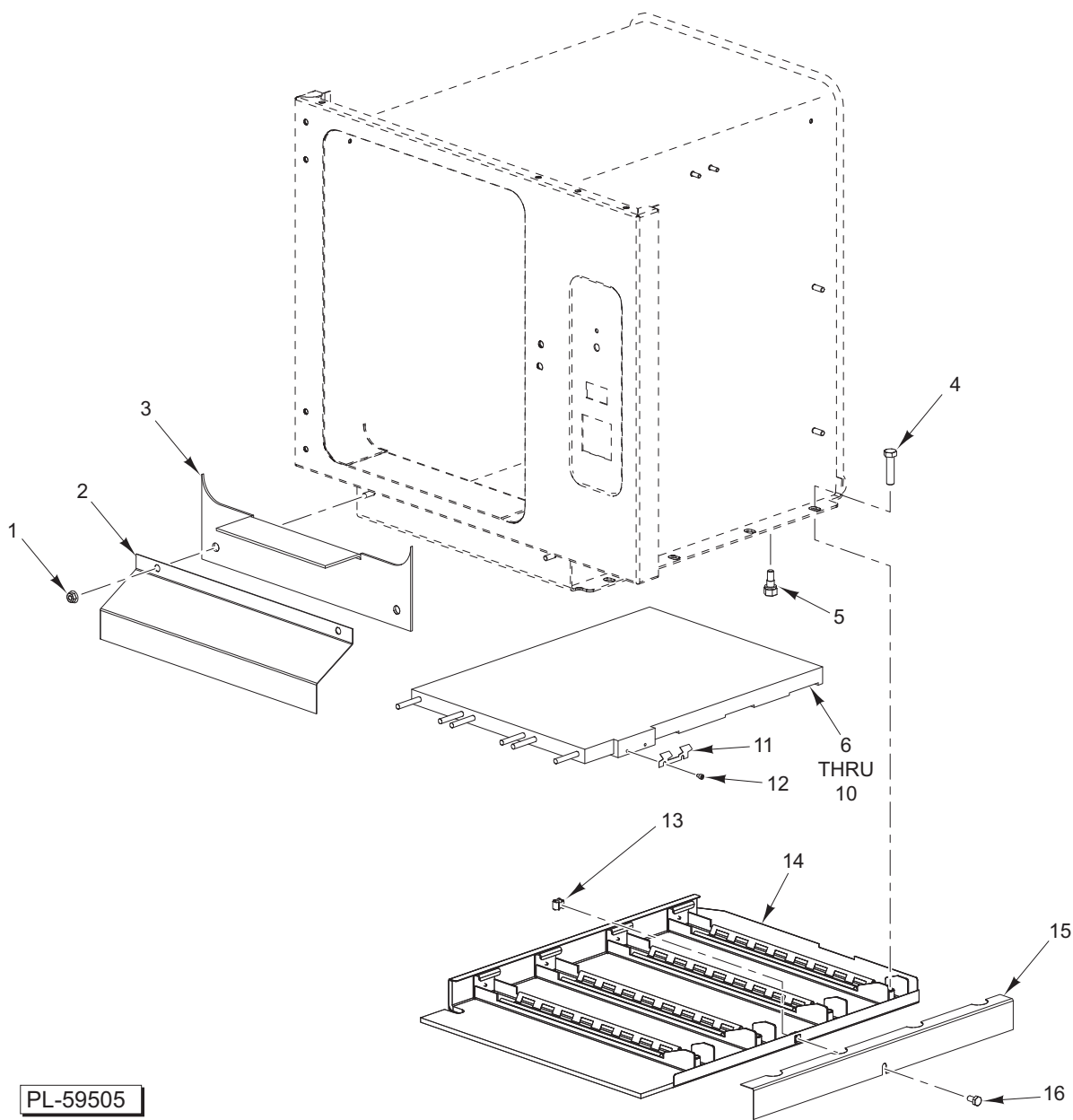


PL-59504

DRAIN ASSEMBLY

DRAIN ASSEMBLY

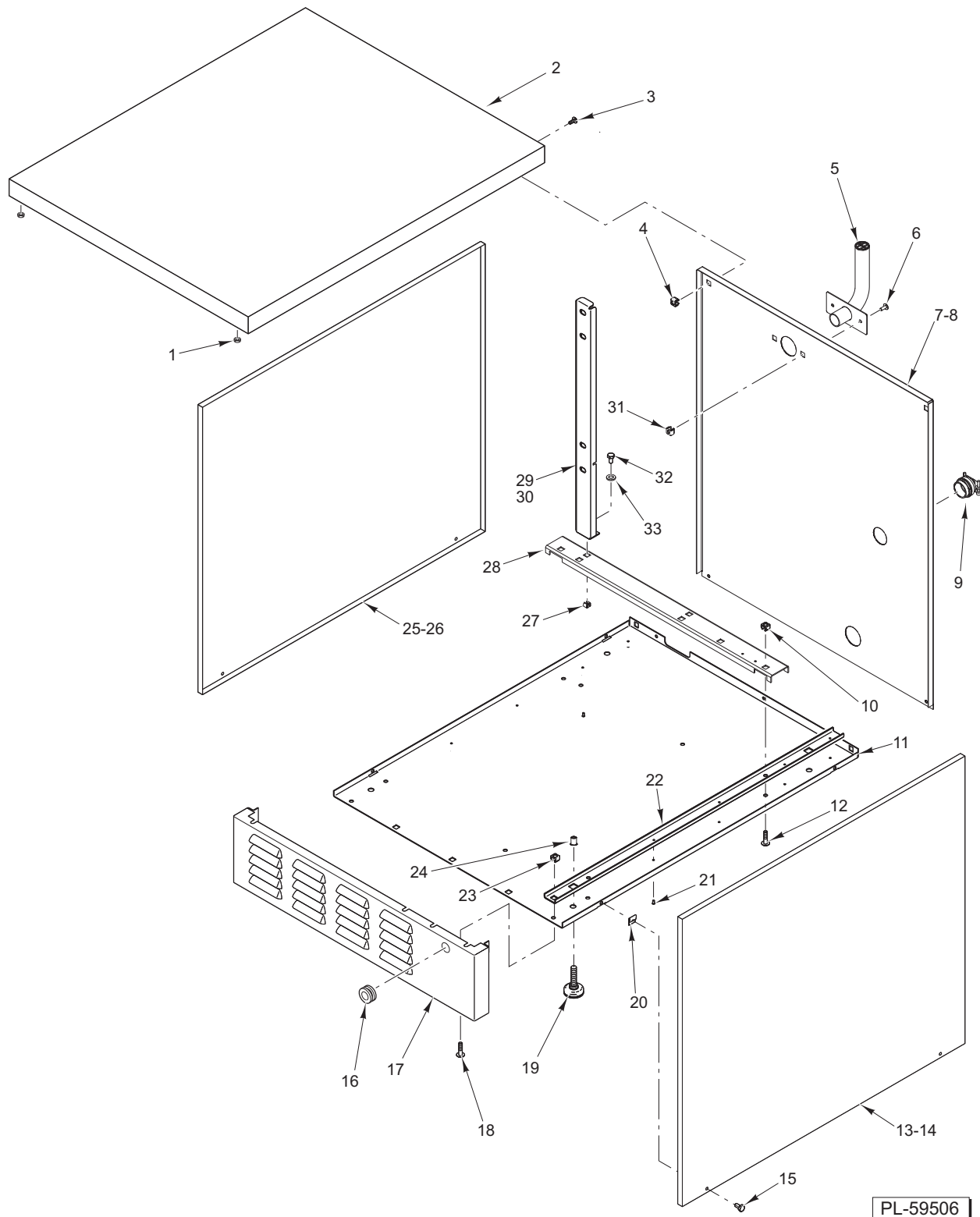
ILLUS.	PART NO.	NAME OF PART	AMT.
PL-59504			
1	00-856736-00001	Cap – Handle.....	1
2	00-856729-00001	Handle – Drain.....	1
3	FP-040-42	Pipe 1/2 In. x 1 1/8 TBE (Brass).....	1
4	00-881161-00001	Pipe – Tee.....	1
5	FP-087-39	Fitting – Hose.....	1
6	00-557845	Clamp – Hose (24mm).....	1
7	00-557475	Hose – 5/8 In. (Blue).....	AR
8	00-857560-00001	Lever – Drain.....	1
9	WS-029-45	Washer.....	1
10	00-855729-00001	Pin – Cotter.....	1
11	SC-041-01	Cap Screw 1/4-20 x 3/4 Hex Hd. (SST).....	2
12	WL-006-17	Lockwasher 1/4 Helical.....	2
13	00-857561-00001	Pivot – Drain.....	1
14	00-857562-00001	Spacer – Drain Pivot.....	1
15	NS-049-13	Insert.....	2
16	RS-030-08	Rivet 1/8 In.	4



HEATER ELEMENT AND SHIELDS

HEATER ELEMENT AND SHIELDS

ILLUS.	PART NO.	NAME OF PART	AMT.
PL-59505			
1	NS-038-04	Lock Nut $\frac{1}{4}$ -20	2
2	00-857565-00001	Heat Shield – Front.....	1
3	00-857589-00001	Insulation – Front	1
4	SC-041-32	Cap Screw $\frac{3}{8}$ -16 x $1\frac{1}{2}$ Hex Hd. (SST)	4
5	00-857636-00001	Thermostat – Low Water.....	1
6	00-857579-00001	Element – Heater (208/240 V.) (3 Pan).....	1
7	00-857579-00002	Element – Heater (208 V.) (5 Pan).....	1
8	00-857579-00003	Element – Heater (240 V.) (5 Pan).....	1
9	00-857579-00004	Element – Heater (480 V.) (5 Pan).....	1
10	00-819643-00002	Grease 13 $\frac{1}{2}$ Oz.	2
11	00-857638-00001	Clamp – Capillary Bulb	1
12	SC-040-75	Cap Screw 6-32 x $\frac{3}{16}$ Hex Socket Hd.....	2
13	NS-049-03	Panel Nut $\frac{1}{4}$ -20.....	1
14	00-857608-00001	Shield Assy. – Heat.....	1
15	00-857564-00001	Heat Shield – Side	1
16	SC-041-50	Cap Screw $\frac{1}{4}$ -20 x $\frac{1}{2}$ Hex Hd. (SST)	1



CABINET

CABINET

ILLUS. PL-59506	PART NO.	NAME OF PART	AMT.
1	NS-038-04	Lock Nut 1/4-20	2
2	00-856751-00001	Panel – Top	1
3	SC-066-06	Mach. Screw 10-24 x 1/2 Phil. Truss Hd. (SST)	2
4	NS-049-01	Panel Nut 10-24	2
5	00-857586-00001	Vent.	1
6	SC-066-06	Mach. Screw 10-24 x 1/2 Phil. Truss Hd. (SST)	2
7	00-857588-00001	Back Panel – Cabinet (3 Pan)	1
8	00-857587-00001	Back Panel – Cabinet (5 Pan)	1
9	FE-026-41	Connector – Conduit	1
10	NS-049-03	Panel Nut 1/4-20	2
11	00-856726-00001	Panel – Cabinet Base	1
12	SC-115-70	Mach. Screw 1/4-20 x 1 Slotted Truss Hd. (SST)	2
13	00-856731-00001	Panel – Side (3 Pan)	1
14	00-856731-00002	Panel – Side (5 Pan)	1
15	SC-093-27	Mach. Screw 10-24 x 7/8 Phil. Truss Hd. (SST)	4
16	FE-025-79	Bushing – Snap (Electric)	1
17	00-855314-00001	Apron – Cabinet	1
18	SC-066-06	Mach. Screw 10-24 x 1/2 Slotted Truss Hd. (SST)	2
19	00-856760-00001	Leg – Leveling (Counter Top)	4
20	00-854766-00001	Nut – Speed 3 Type	4
21	RS-030-08	Rivet – Dome 1/8 In.	8
22	00-856738-00001	Channel – Cabinet Base	2
23	NS-049-03	Panel Nut 1/4-20	2
24	00-857508-00001	Insert 3/16-16	4
25	00-856731-00001	Panel – Side (3 Pan)	1
26	00-856731-00002	Panel – Side (5 Pan)	1
27	NS-049-03	Panel Nut 1/4-20	2
28	00-857566-00001	Cross Channel – Base (Cabinet)	1
29	00-856747-00001	Channel – Support (3 Pan)	2
30	00-856747-00002	Channel – Support (5 Pan)	2
31	NS-049-01	Panel Nut	2
32	SC-041-50	Cap Screw 1/4-20 x 1/2 Hex Hd. (SST)	2
33	WL-006-17	Lockwasher 1/4 Helical	2

