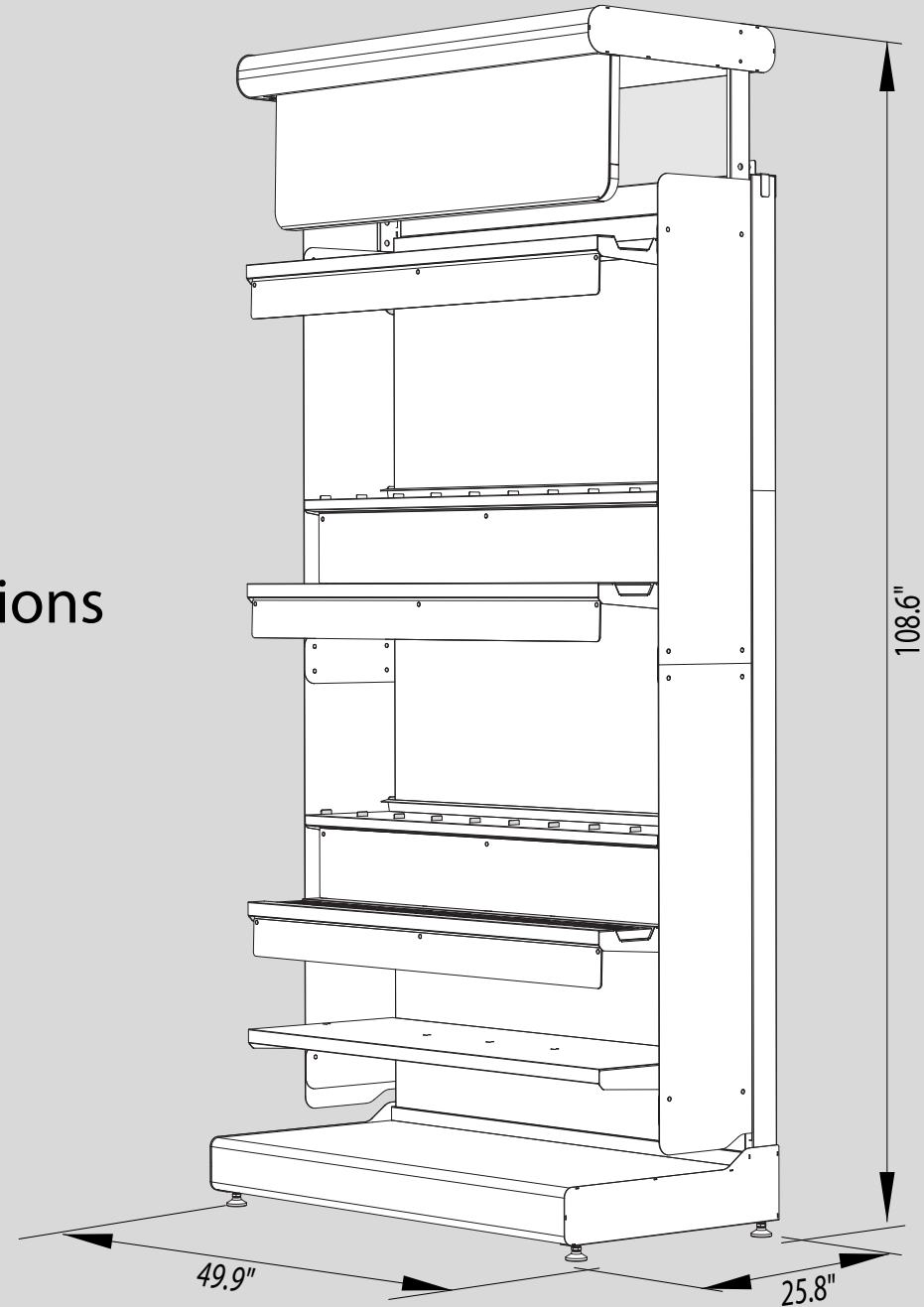
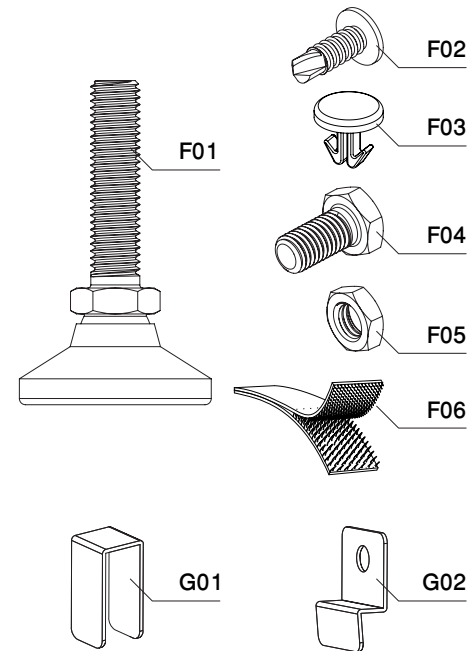
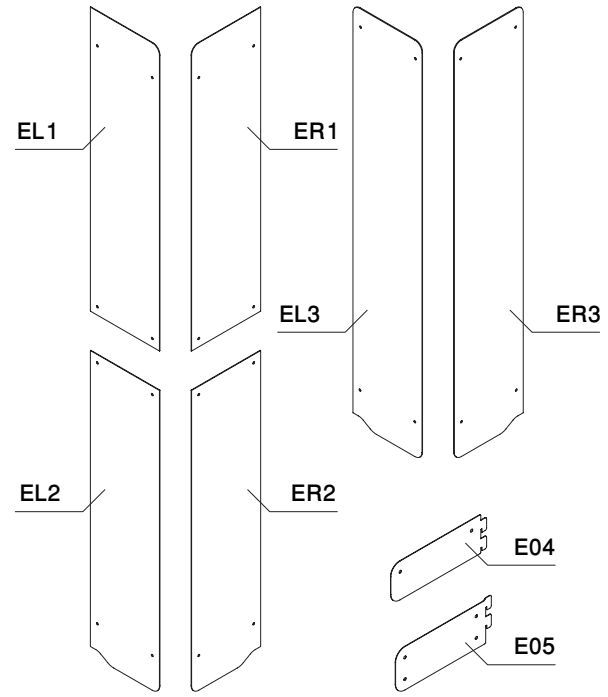
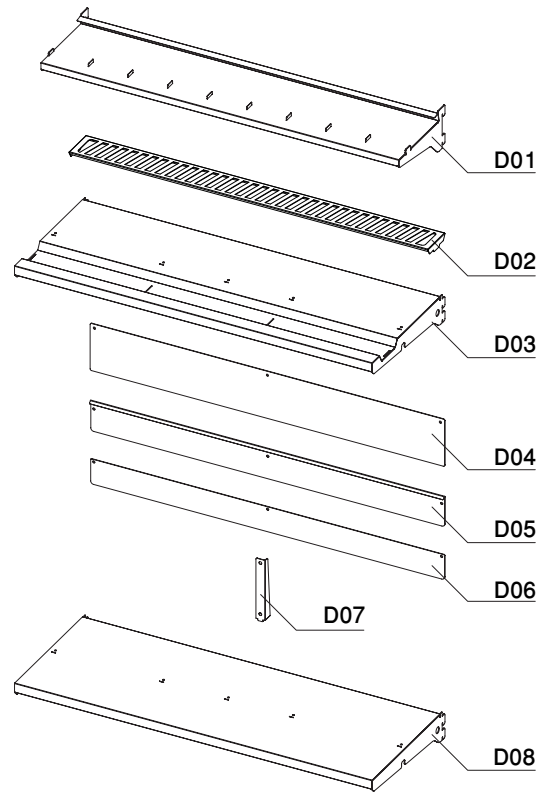
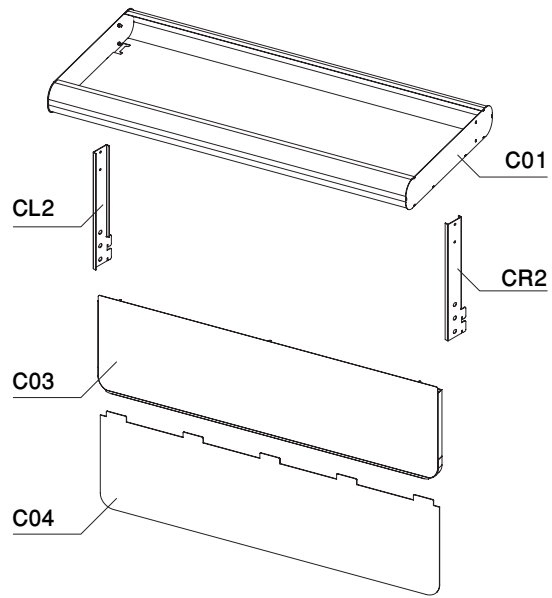
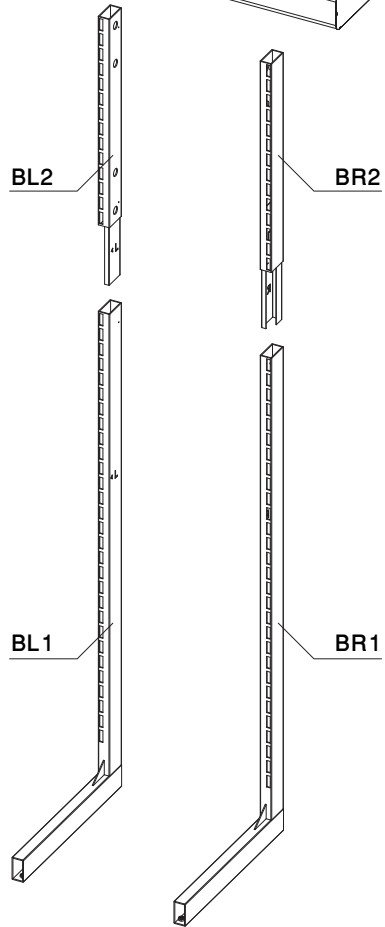
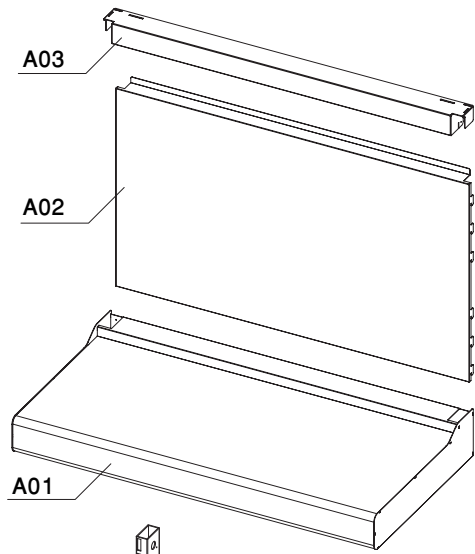


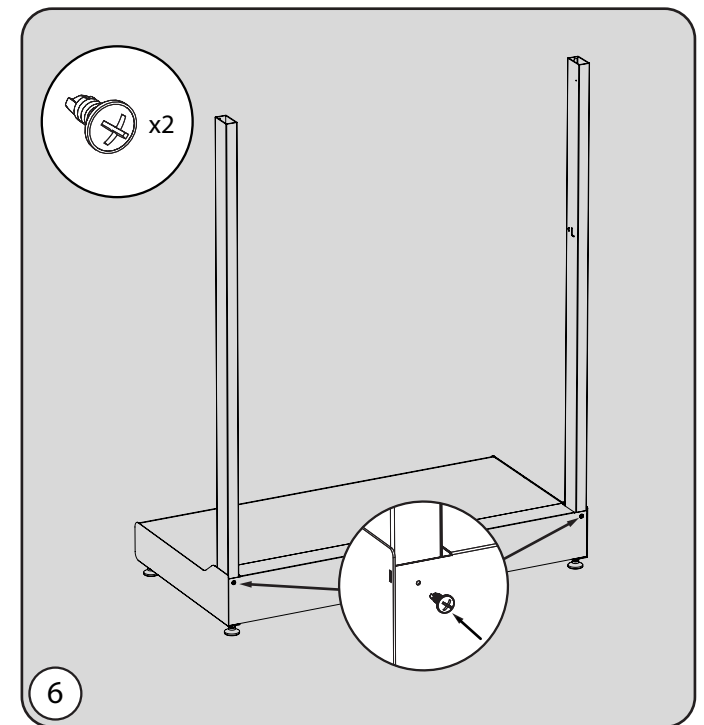
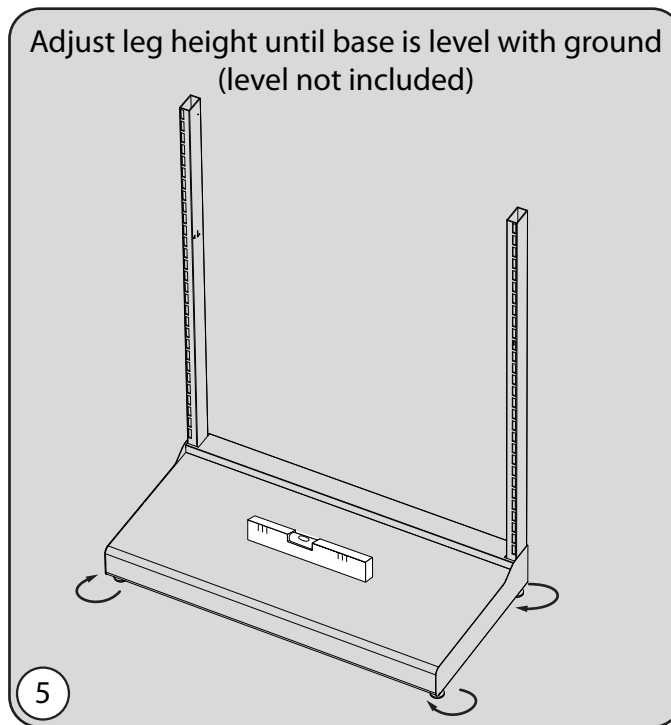
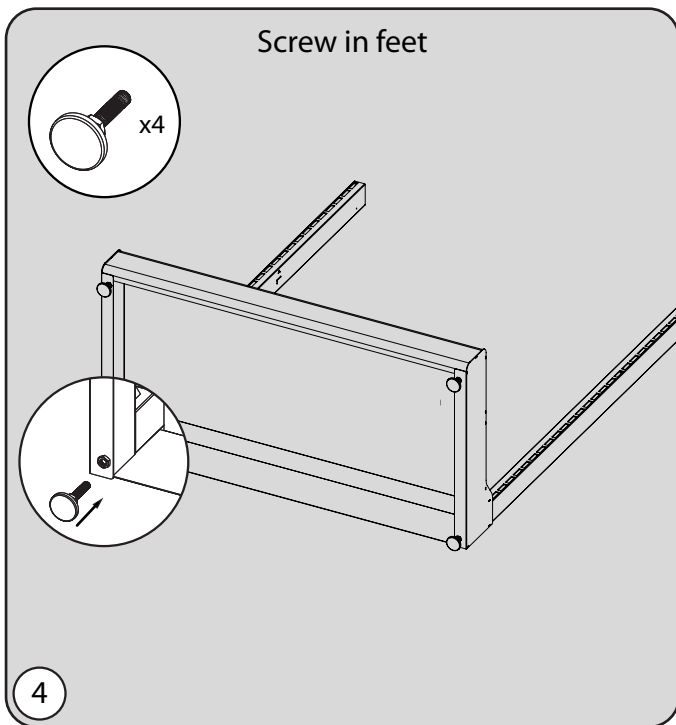
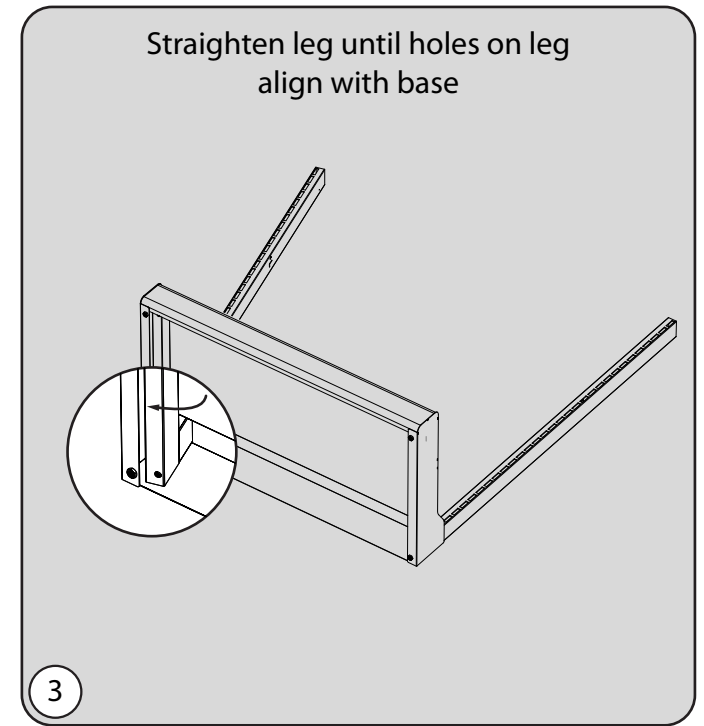
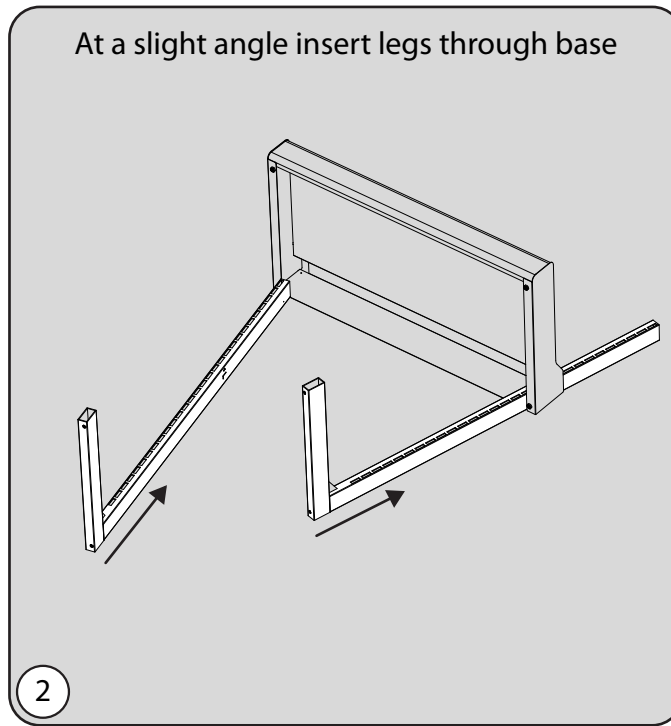
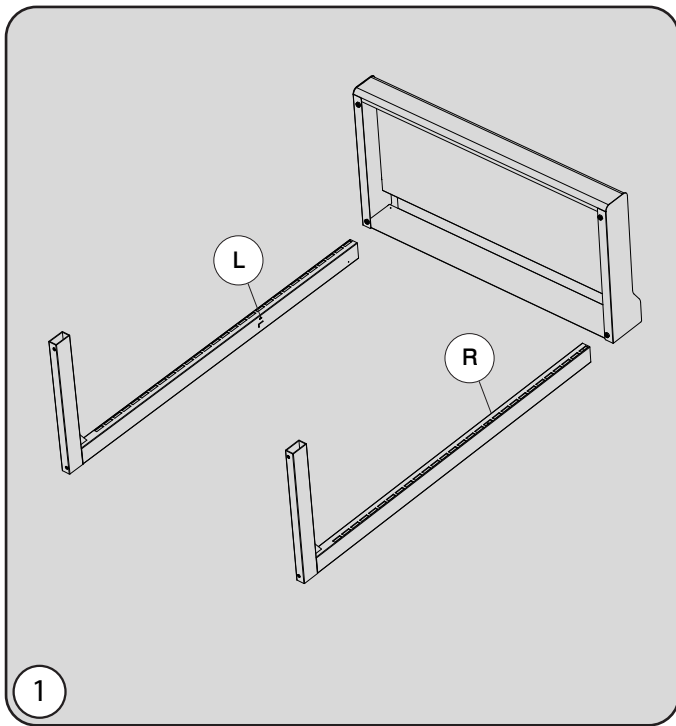


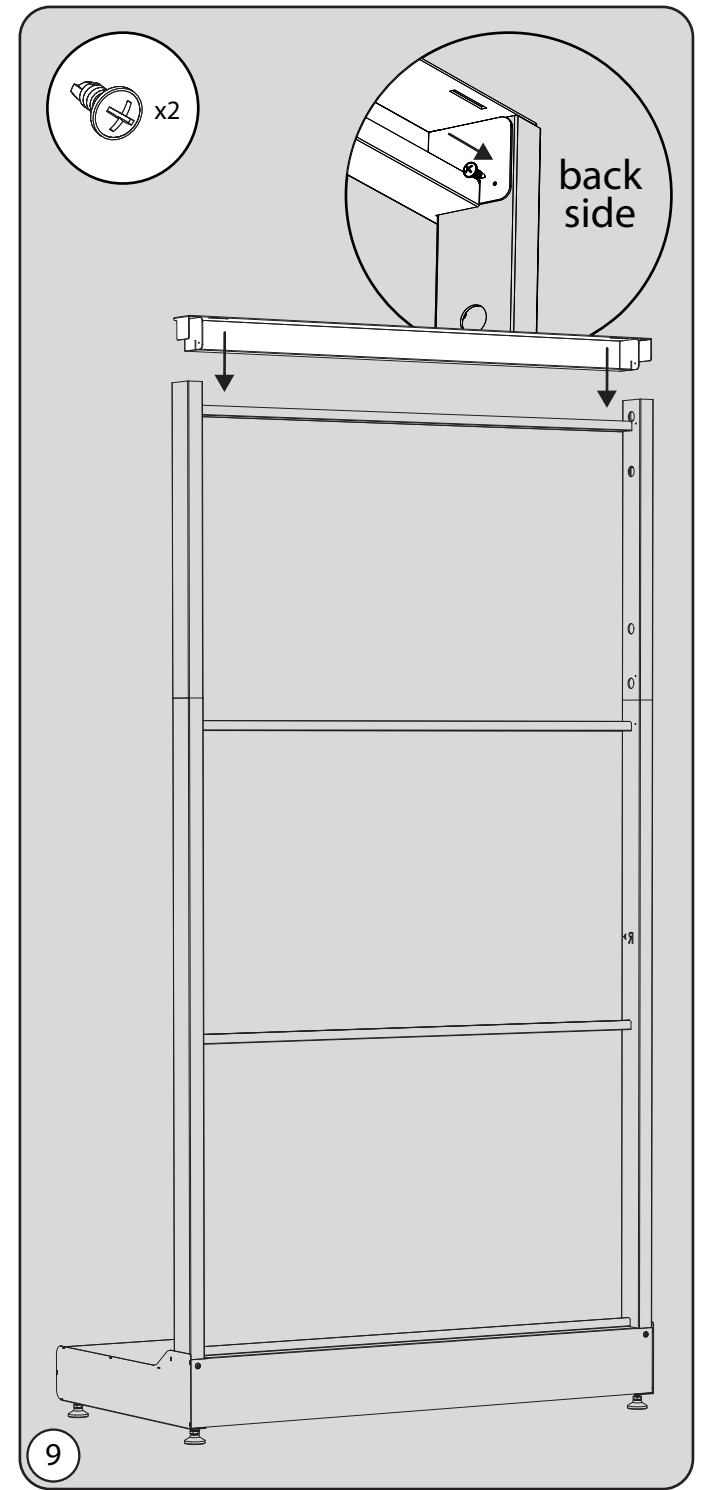
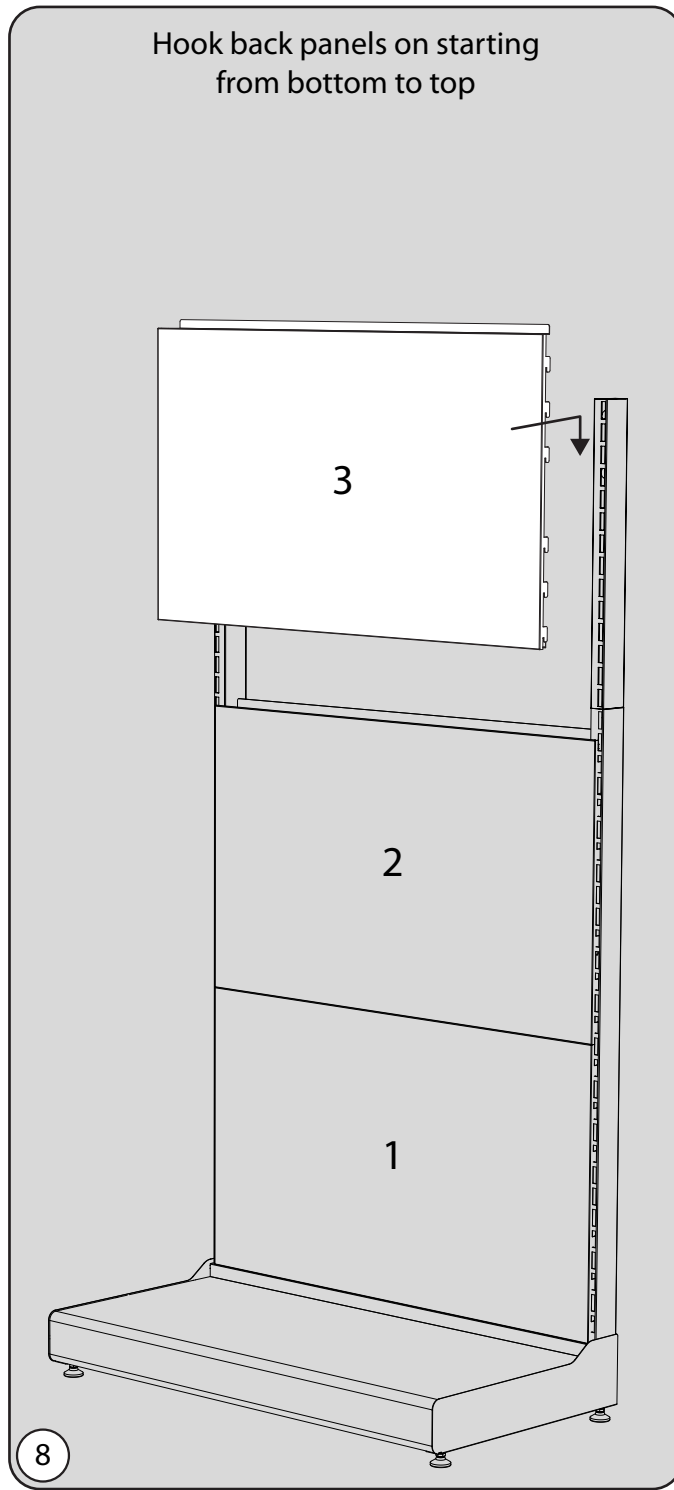
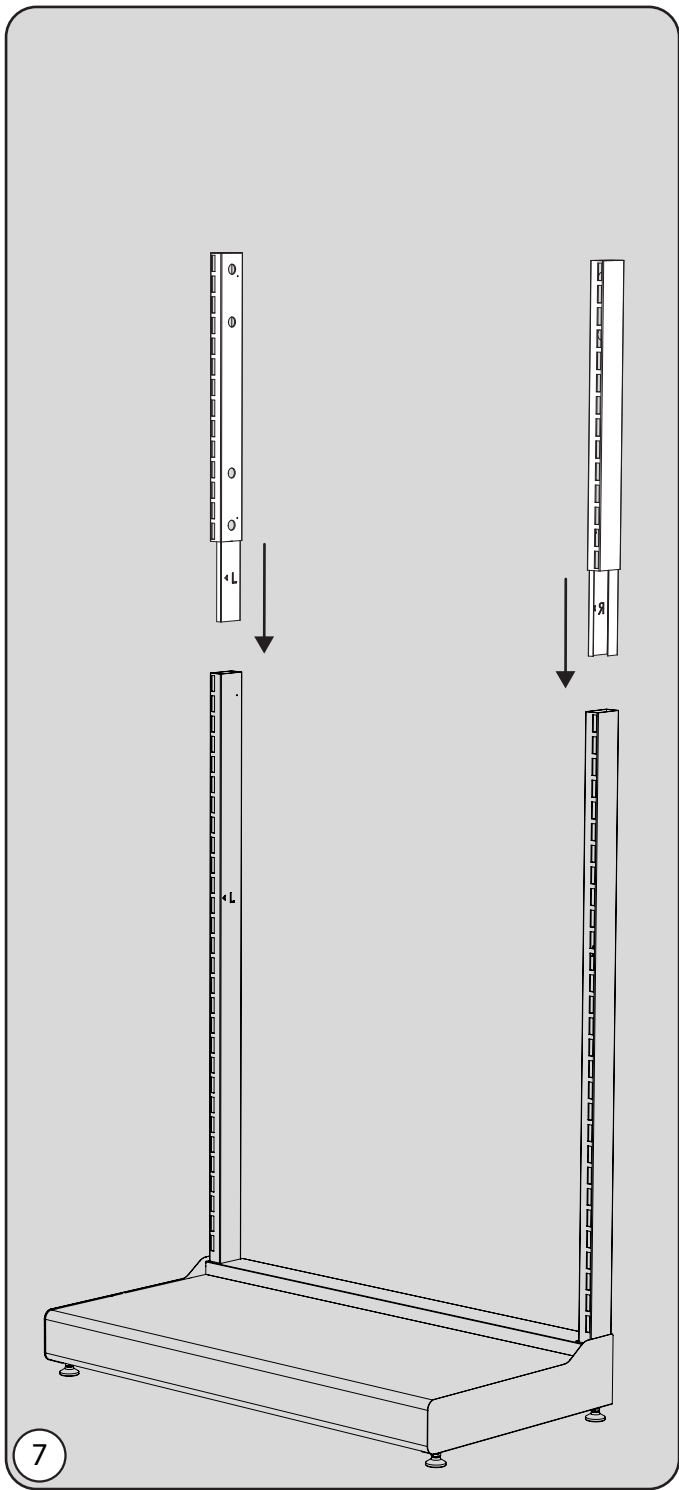
Tall Gondola - Assembly Instructions



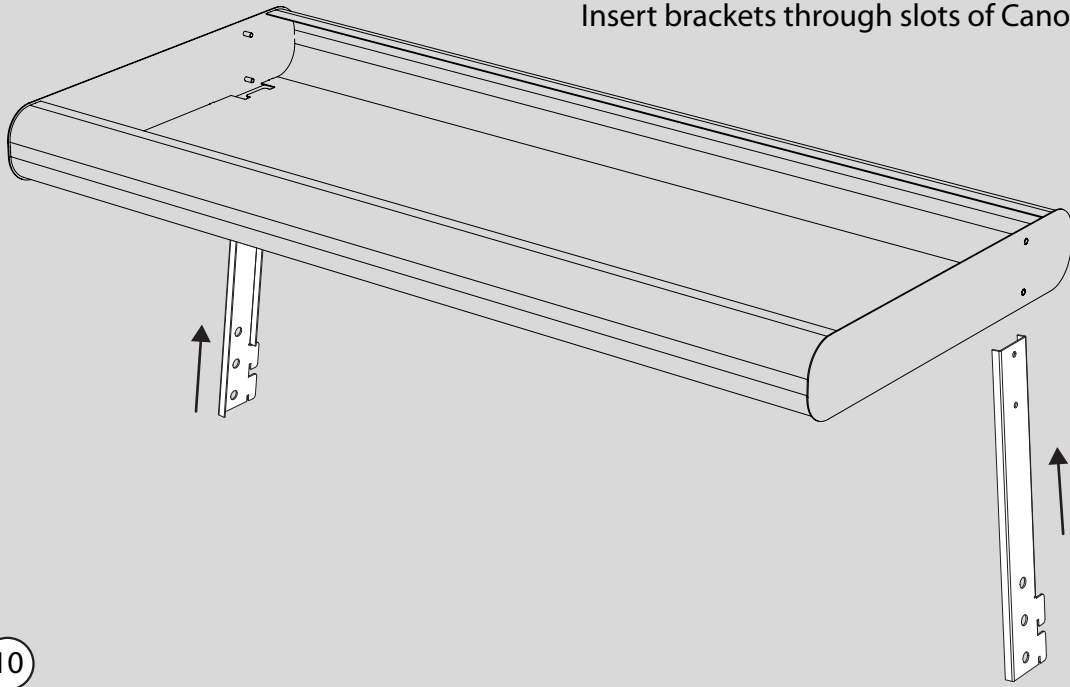


A01	
A02	
A03	
BL1	
BR1	
BL2	
BR2	
C01	
CL2	
CR2	
C03	
C04	
D01	
D02	
D03	
D04	
D05	
D06	
D07	
D08	
EL1	
ER1	
EL2	
ER2	
EL3	
ER3	
E04	
E05	
F01	
F02	
F03	
F04	
F05	
F06	
G01	
G02	



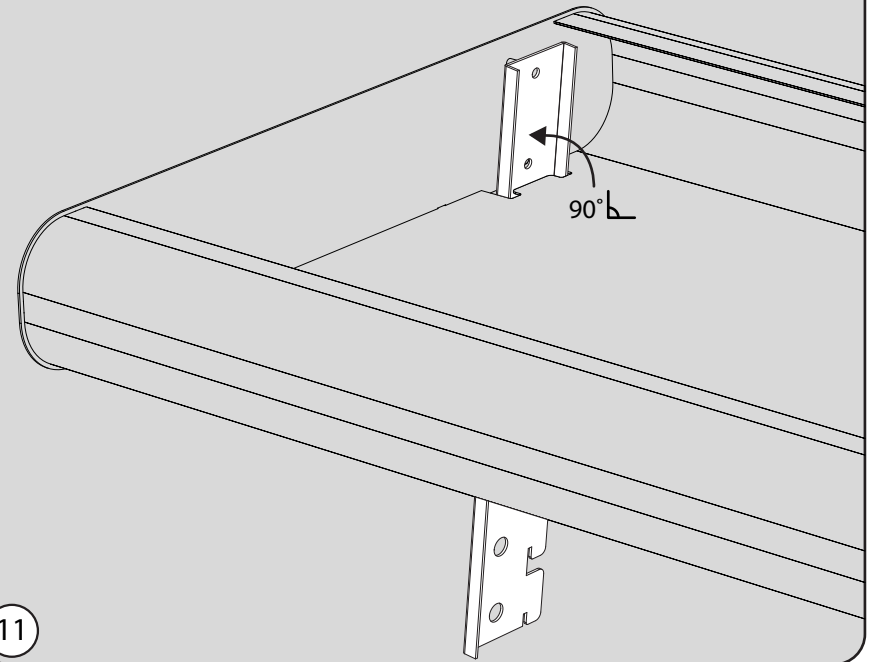


Insert brackets through slots of Canopy



10

Align bracket holes with threads



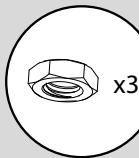
11



x4

Tighten hex nuts to secure brackets

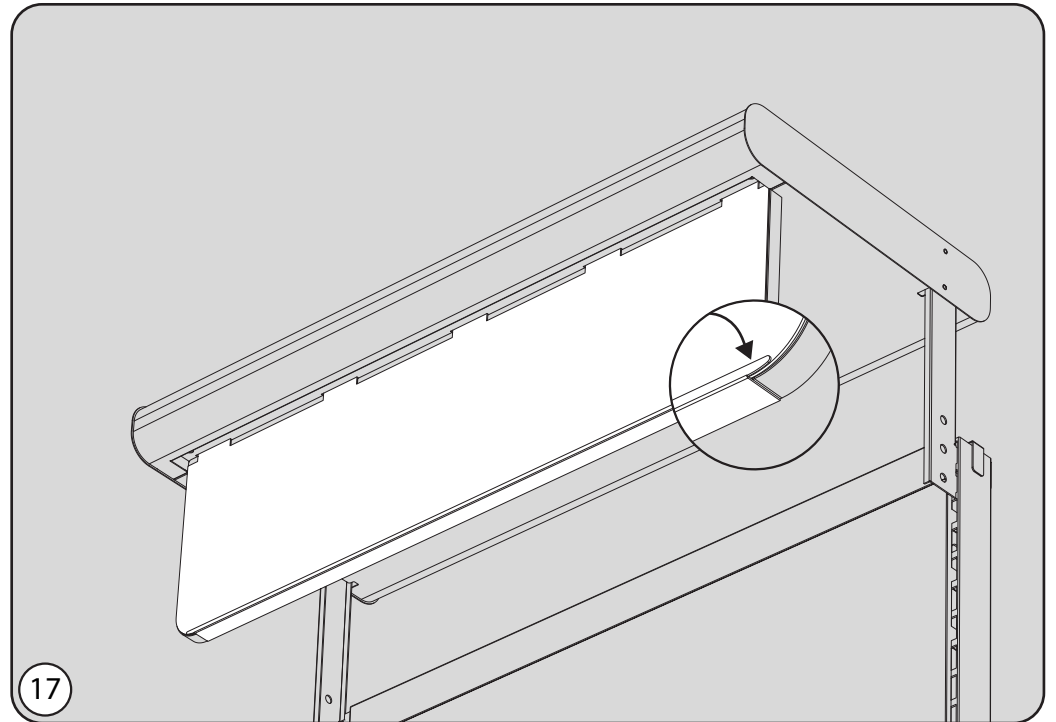
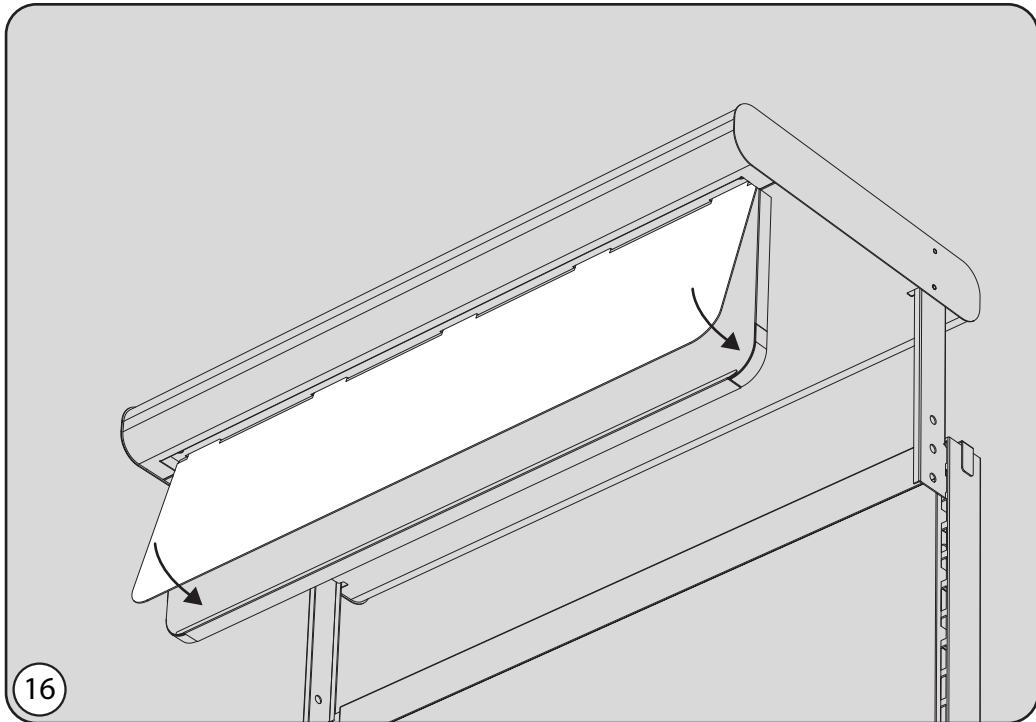
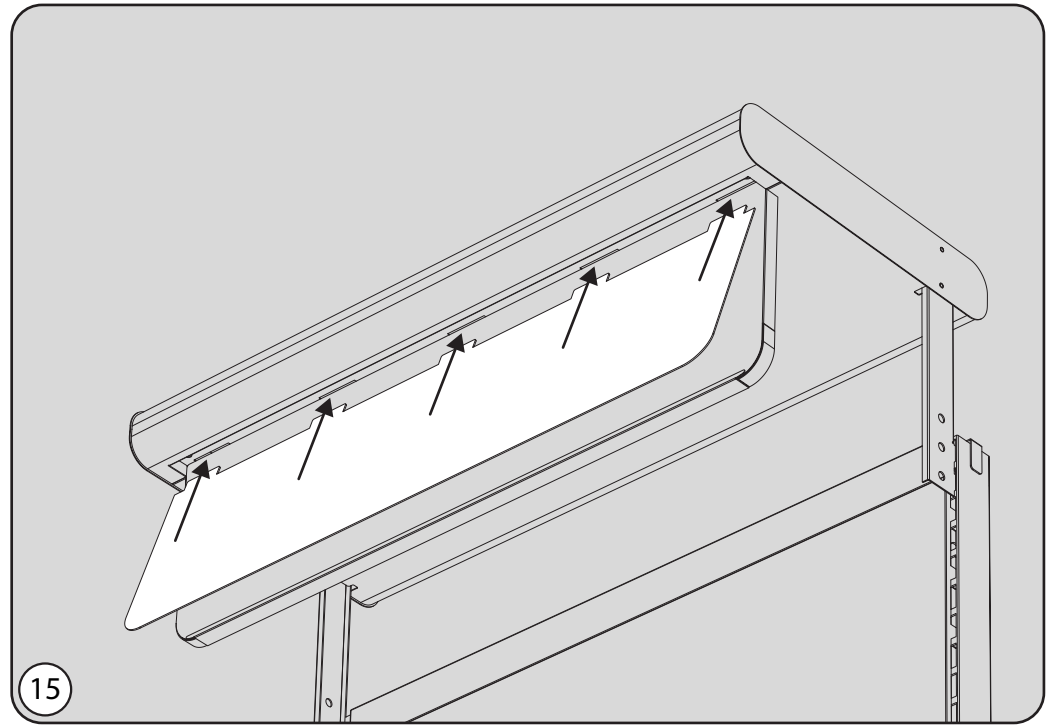
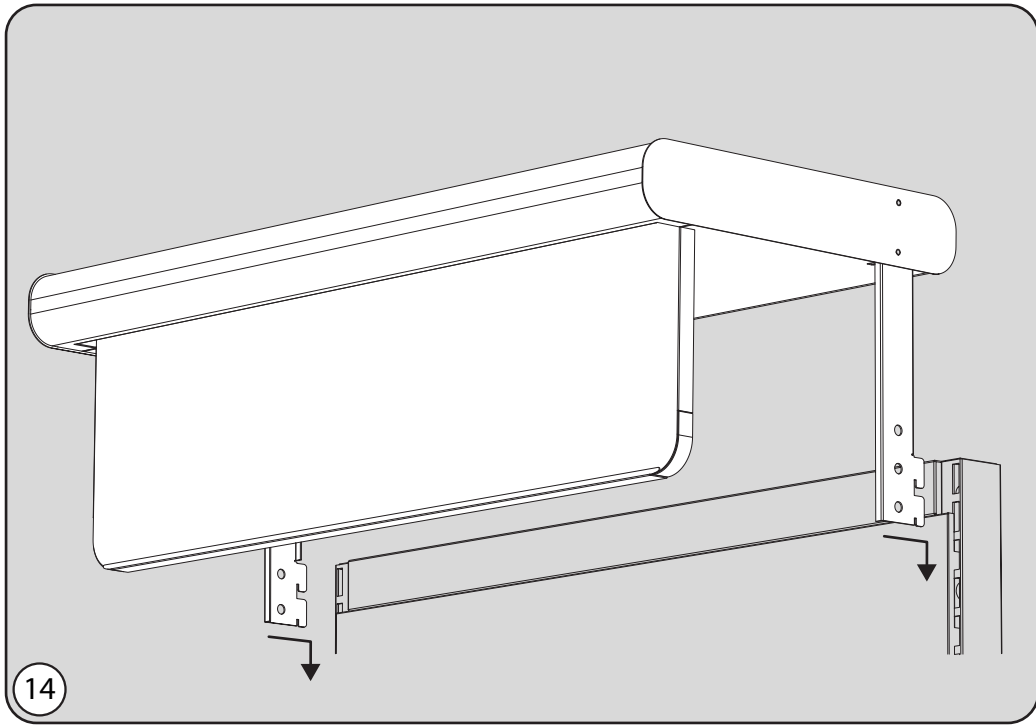
12

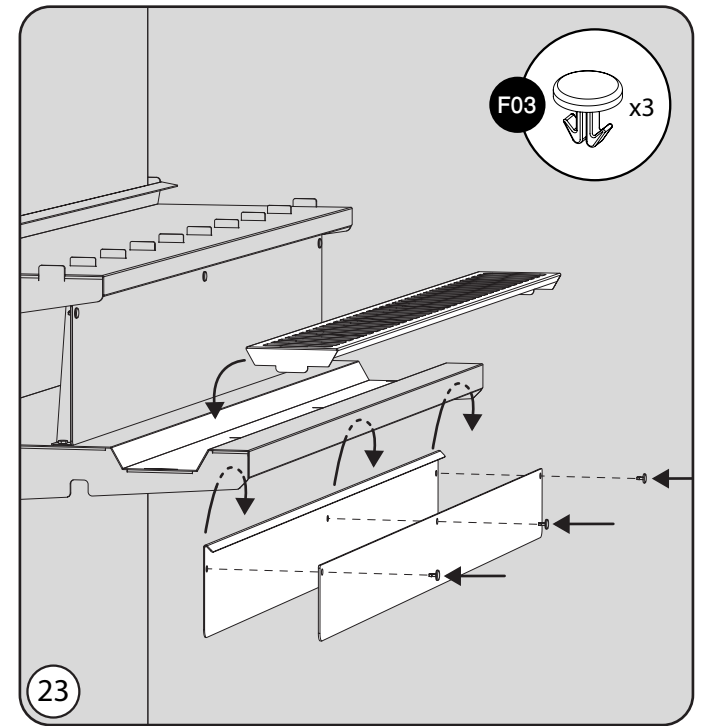
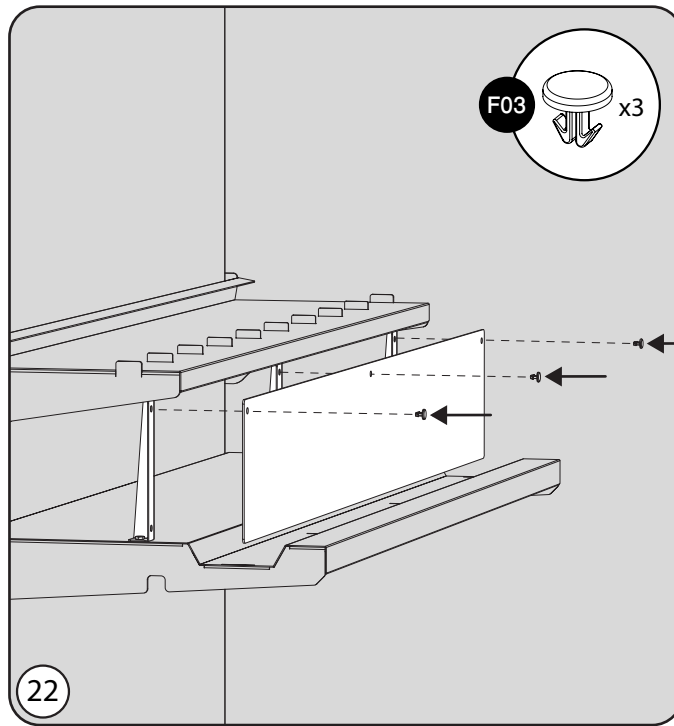
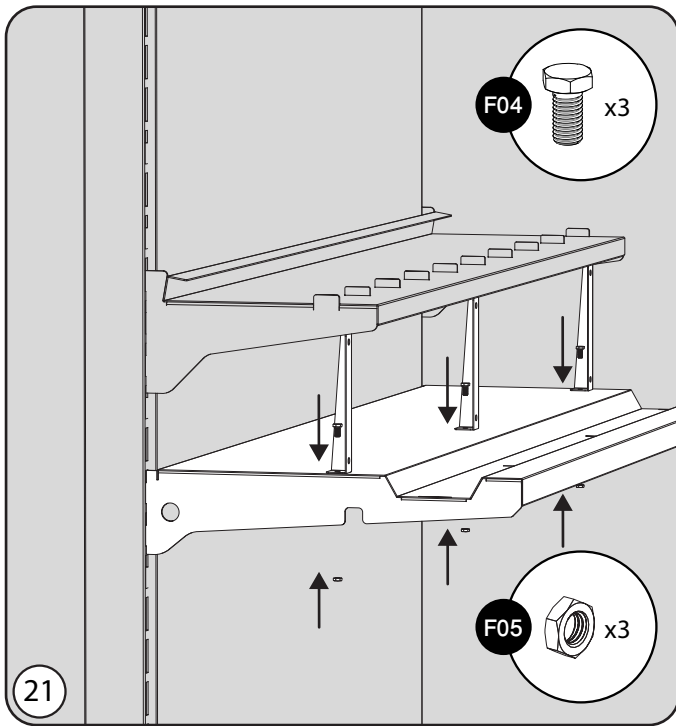
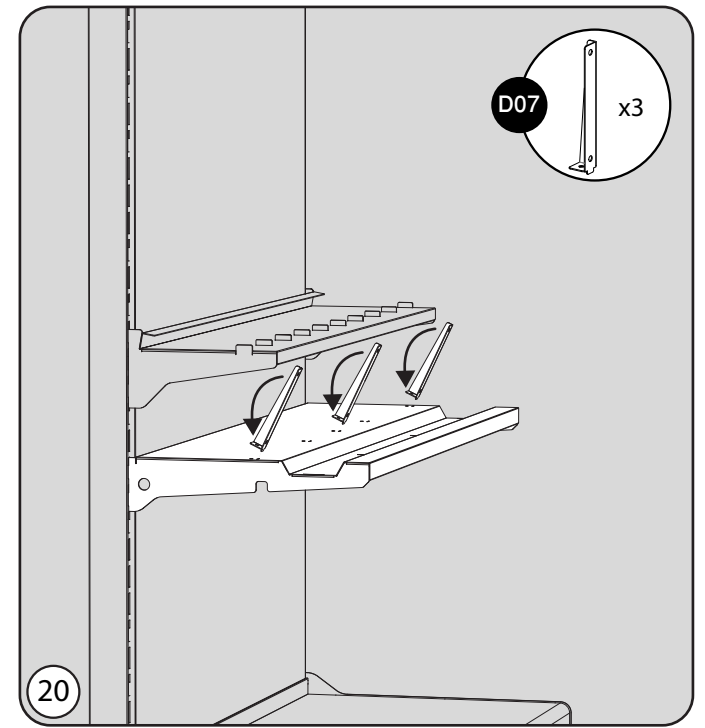
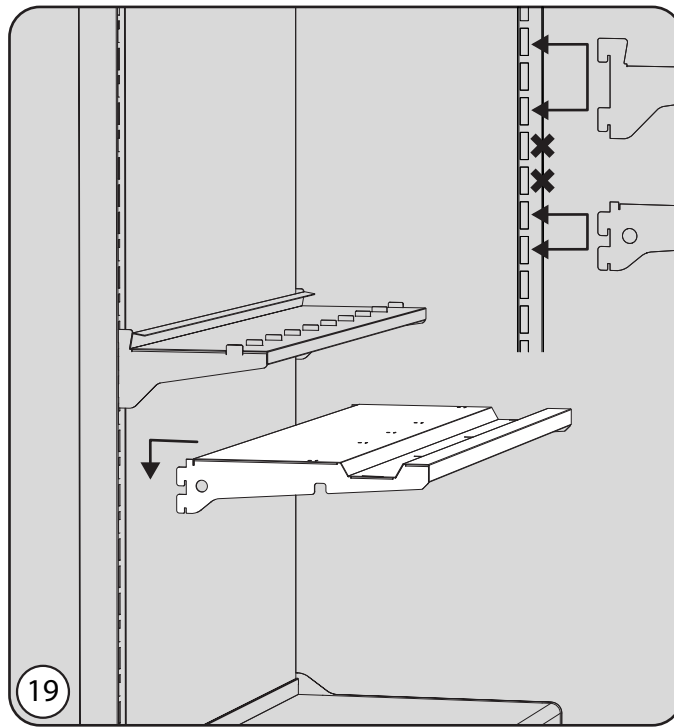
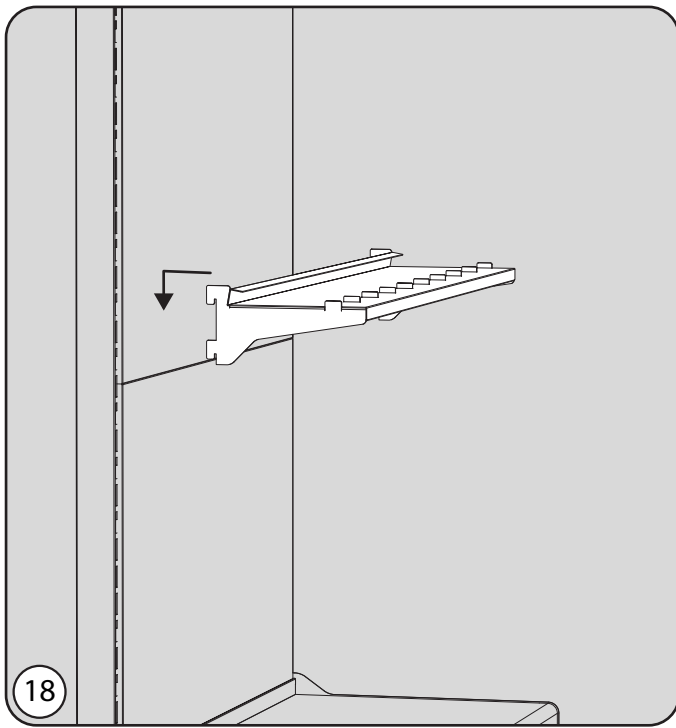


x3

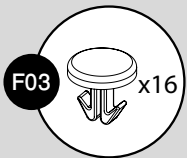
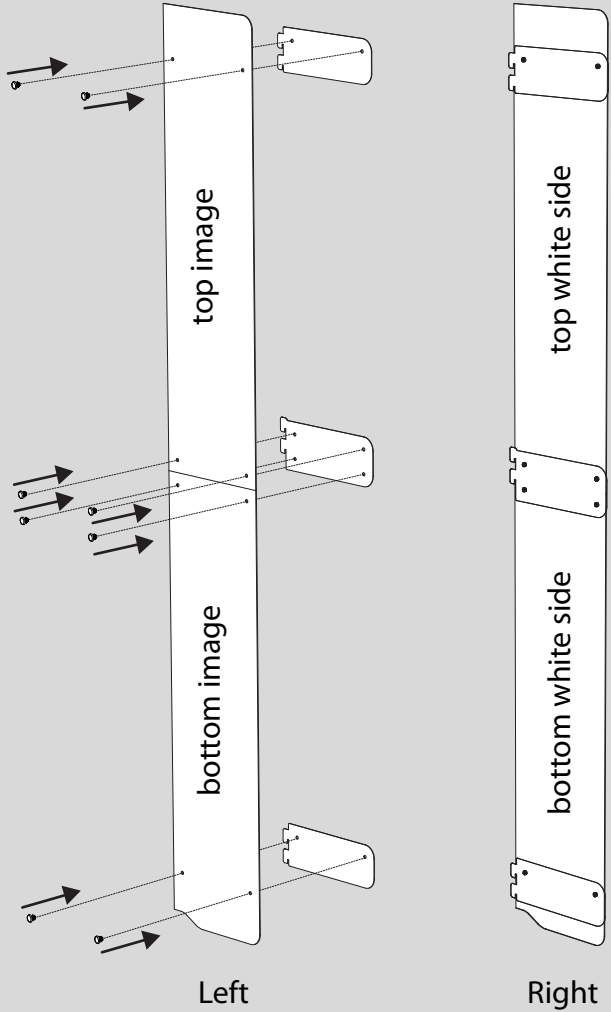
Hook sign holder on to bottom of Canopy. Make sure to align with threads and secure with hex nuts

13

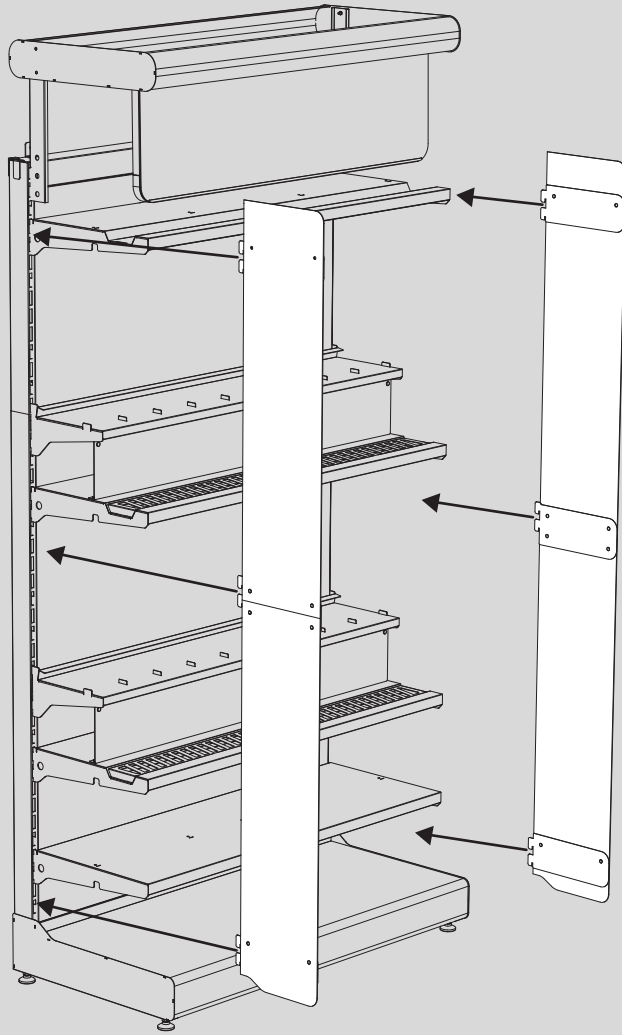




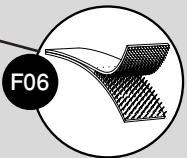
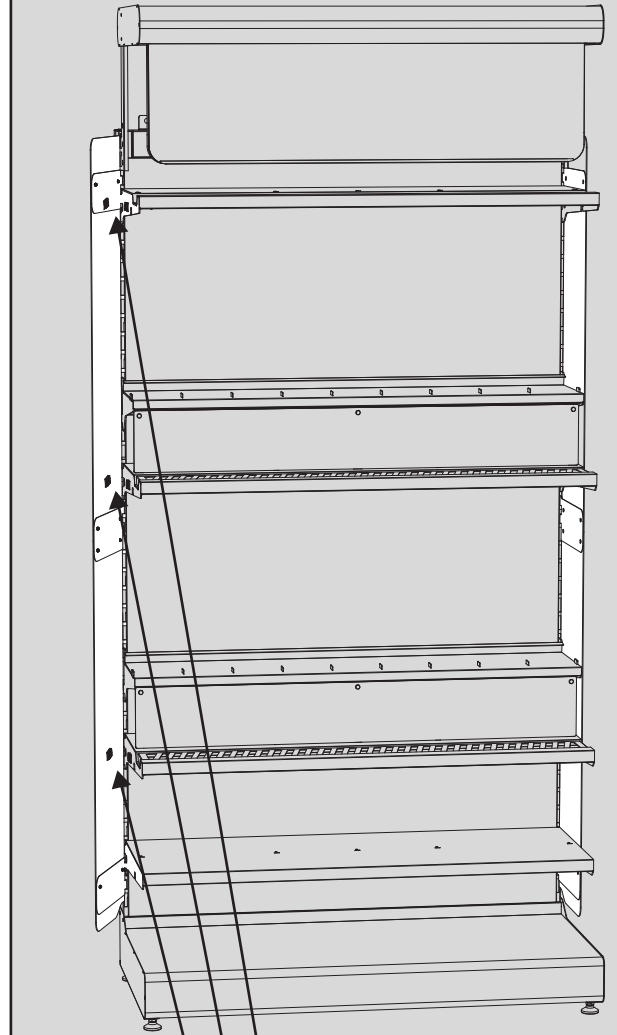
Snap push-in pins into place



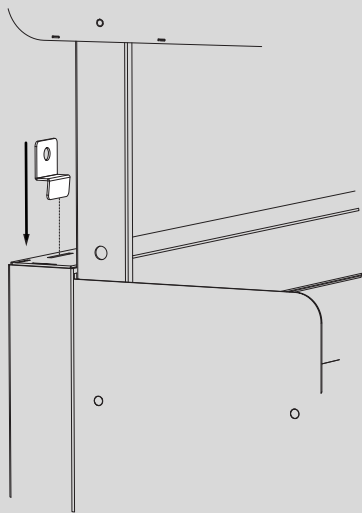
24



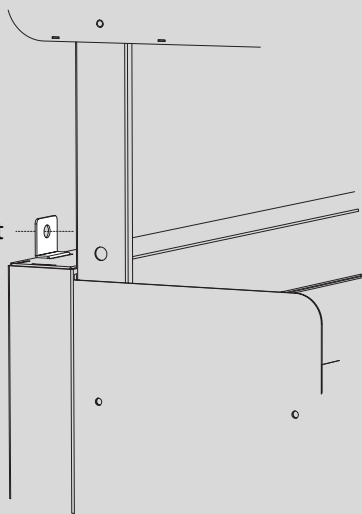
25



26

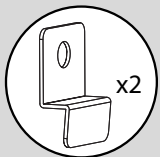
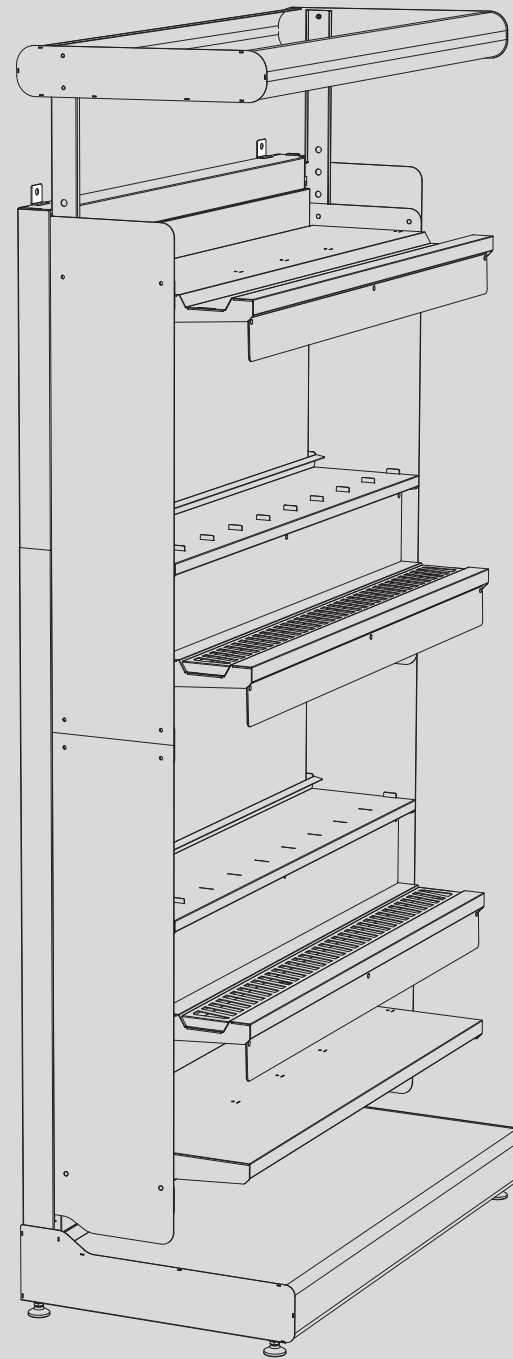


A

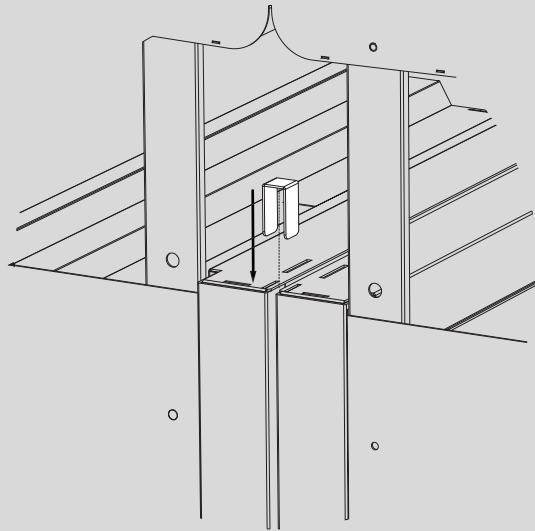


wall mount

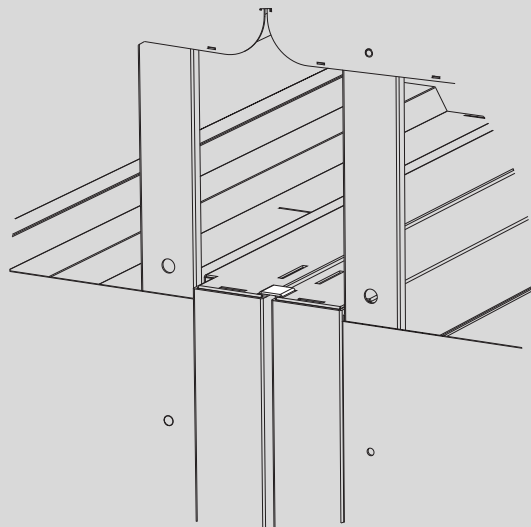
B



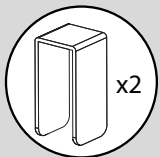
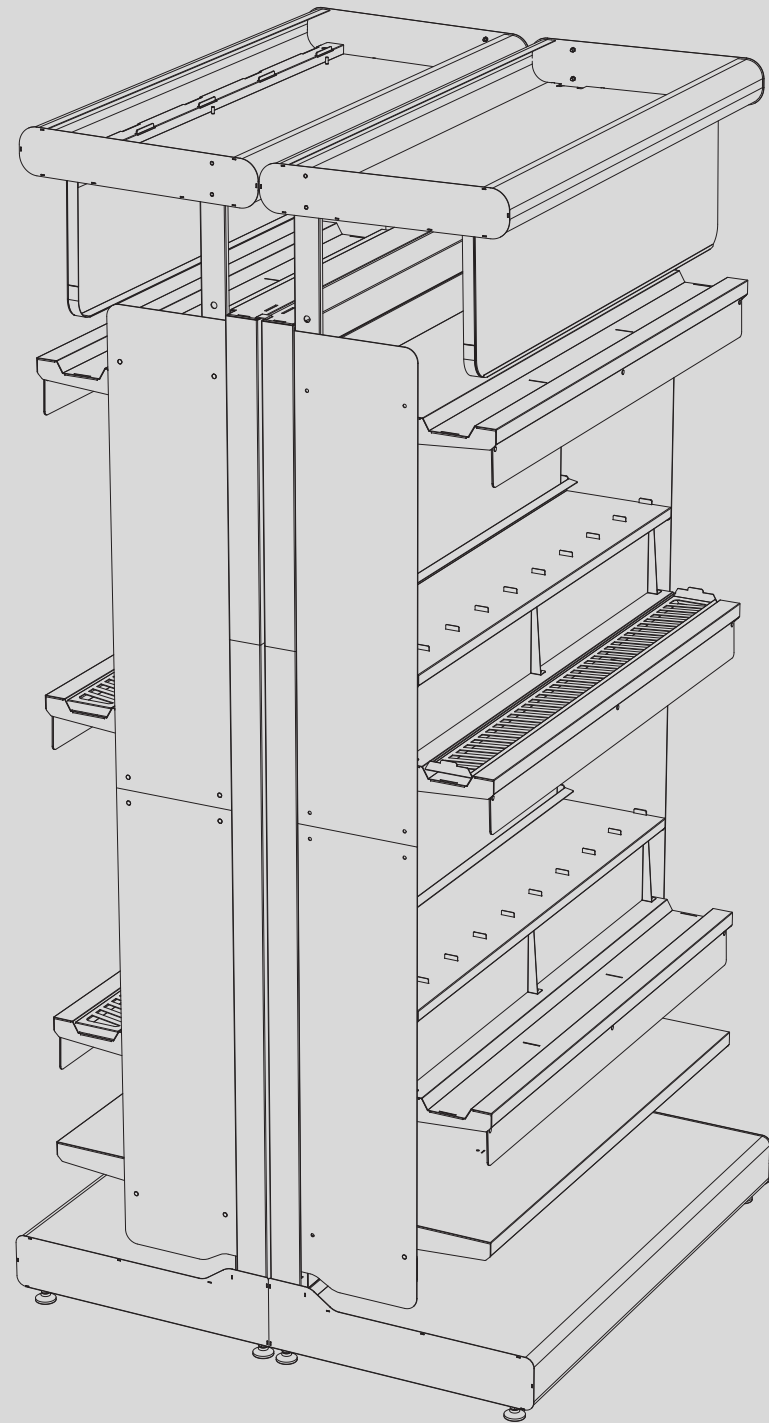
x2



A

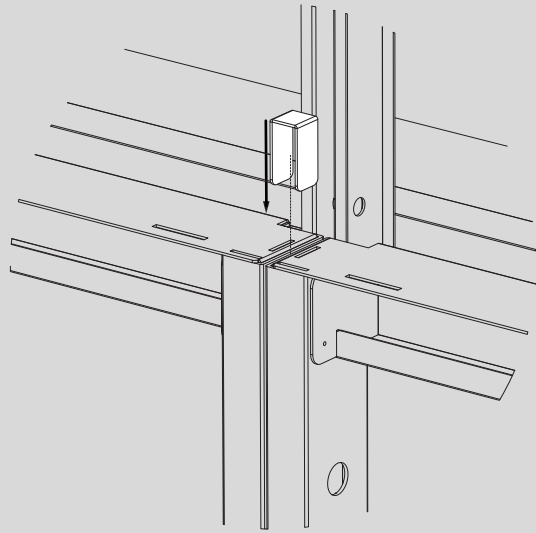


B



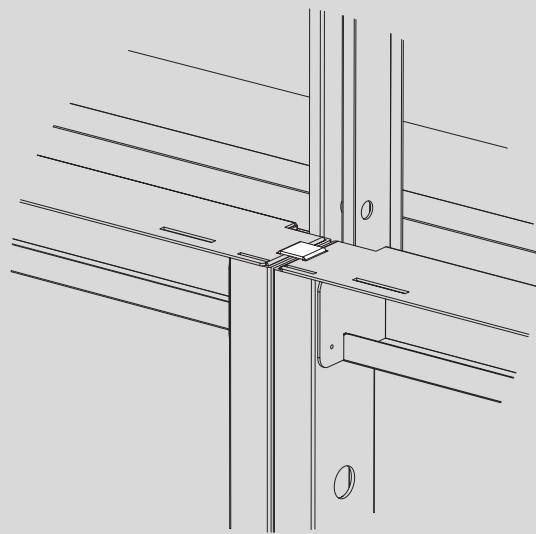
x2

back side



A

back side



B

