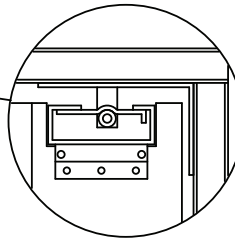
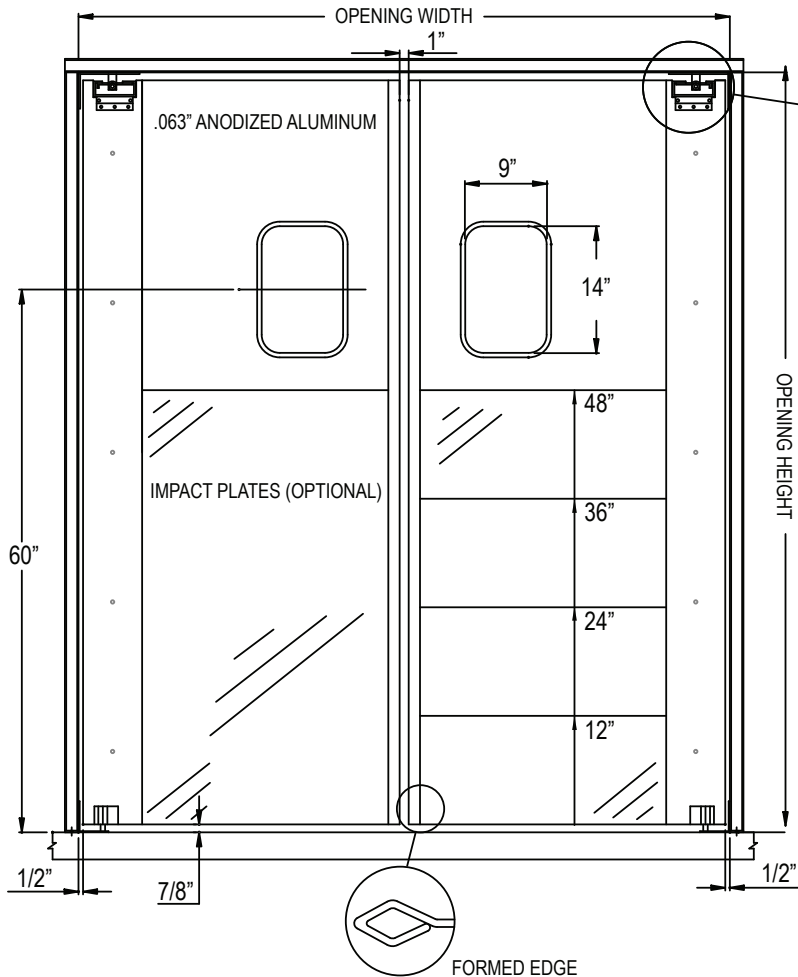


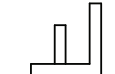
SERVICE-PRO® SERIES 20 SWINGING DOOR



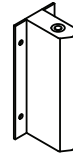
SAVE-T HINGE ASSEMBLY



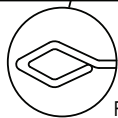
BACK SPINE



BOTTOM PIN

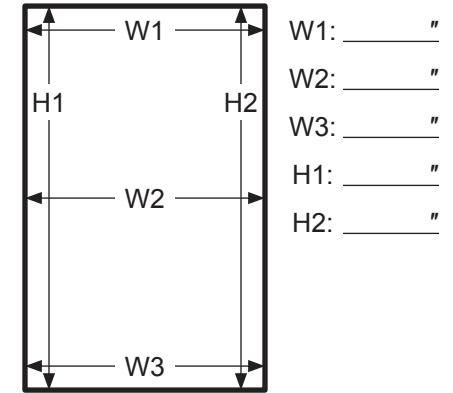


JAMB GUARD (OPTIONAL)



FORMED EDGE

DOOR OPENING DIMENSIONS



Please Note: These measurements pertain to the door opening, **NOT** the actual door.

DOOR SPECIFICATION

- Bi-Parting (Double Panel) Single Panel
- Left Right

DOOR MATERIAL/FINISH

- .063" Anodized Aluminum (Standard)
- 18 Gauge Stainless Steel
- Laminate Finish
 - Black Beige Mid-Tone Wood
 - White Light Wood Cherry Wood
 - Other: _____

WINDOW SIZE

- 6"x12" 9"x14" (Standard)
- 10"x30" 14"x16"
- 22"x22" 12" Round
- 20" Round

Window must be 14" narrower than the door panel width. A 6"x12" window is standard for door panels under 20" wide.

IMPACT PLATES (MATERIAL/HEIGHT)

- Stainless Steel Diamond Tread
- .093" ABS .125" ABS
- 12" 18" 24" 30" 36" 42" 48"

HARDWARE

- Save-T Hinge Assembly & Bottom Pin (Standard)
- Stainless Steel Save-T Hinge Assembly & Bottom Pin
- Jamb Guard
 - 3"x10" Aluminum 3"x10" Stainless Steel
- Push Plates
 - ABS Stainless Steel

APPLICABLE MODELS:

SERIES20-AL, SERIES20-L, SERIES20-SS

STANDARD SERIES 20 FEATURES:

- .063" Anodized Aluminum Construction
- Reinforced Back Spine
- Save-T Hinge Assembly & Bottom Pin
- 9"x14" Window

Pictured: Double Panel SERIES20-AL with Impact Plates

SIGNATURE REQUIRED

JOB NAME/LOCATION _____

CUSTOMER/LOCATION _____

ORDER # _____ CUSTOMER PO # _____

Charges will be assumed by buyer for changes or cancellations to work in process. Buyer hereby accepts responsibility for all sizes and dimensions. This order will not be processed until all acknowledgment forms are signed and returned.

X _____ DATE _____