



## Commercial Microwaves



**Model:** 180MW1200T, 180MW1800T, 180MW2100T

12/2014

***Please read and keep these instructions. Indoor use only.***

## Specifications

Model	Voltage	Power	Dimensions (LxWxH)	Net Wt.	Shipping Wt.	Plug Type
180MW1200T	120V AC	1200W	22.625" x 20.67" x 14.5"	64 lbs.	71 lbs.	NEMA 5-20P
180MW1800T	208V/240V	1800W	22.625" x 20.67" x 14.5"	64 lbs.	71 lbs.	NEMA 6-20P
180MW2100T	208V/240V	2100W	22.625" x 20.67" x 14.5"	64 lbs.	71 lbs.	NEMA 6-20P

## IMPORTANT SAFETY INSTRUCTIONS

1. Do not attempt to operate this microwave oven with the door open, this can result in harmful exposure to microwave energy.
2. Do not operate the oven if it is damaged. Always ensure there is no damage to the door, hinges, latches, door seals, cord or plug.
3. Do not defeat or tamper with safety interlocks.
4. Do not place any object between the oven front face and the door or allow soil or cleaner residue to accumulate on sealing surfaces.
5. As with most cooking appliance, supervision is necessary to reduce risk of fire in oven cavity.
6. To reduce the risk of fire inside oven cavity:
  - a. Do not overcook food.
  - b. Pay close attention when placing paper, plastic, or other combustible materials inside the oven to facilitate cooking.
  - c. Remove wire twist-ties and metal handles from paper or plastic containers/bags.
  - d. If materials inside the oven ignite, keep door closed and unplug appliance.
  - e. Do not use oven cavity for storage purposes. Do not leave paper products or cooking utensils in the cavity when not in use.
7. This appliance must be grounded. Connect only to a properly grounded outlet. For more information, see "GROUNDING INSTRUCTIONS" on page (3).
8. Install or locate this oven only in accordance with the installation instructions provided.
9. Use this appliance only for its intended uses as described in this manual.
10. Do not use corrosive chemicals or vapors in this appliance.
11. Supervision is necessary when used by children.
12. Do not cover or block any openings on the oven.
13. Do not store or use this appliance outdoors.
14. Do not use this oven near water – for example, near a kitchen sink, in a wet basement, near a swimming pool, or other similar location.
15. Do not immerse cord or plug in water.
16. Keep cord away from heated surfaces.
17. Do not let cord hang over edge of table or counter.
18. When cleaning, use only mild, nonabrasive soaps or detergents applied with a sponge or soft cloth.
19. Liquids such as water, coffee, or tea may be overheated beyond the boiling point without appearing to be boiling. Visible bubbling or boiling when the container is removed from the microwave oven is not always present. **THIS COULD RESULT IN VERY HOT LIQUIDS SUDDENLY BOILING OVER WHEN THE CONTAINER IS DISTURBED OR A UTENSIL IS INSERTED INTO THE LIQUID.**
20. To reduce the risk of injury:
  - a. Do not overheat the liquid.
  - b. Stir the liquid both before and halfway through heating it.
  - c. Do not use straight-sided containers with narrow necks.
  - d. After heating, allow the container to stand in the microwave oven for a short time before removing the container.
  - e. Use extreme care when inserting a spoon or other utensil into the container.

**SAVE THESE INSTRUCTIONS**

## Grounding Instructions

This appliance must be grounded. In the event of an electrical short circuit, grounding reduces the risk of electric shock by providing an escape wire for the electric current. This appliance is equipped with a cord and grounding plug. The appliance must be plugged into an outlet that is properly installed and grounded.



Improper use of the grounding can result in a risk of electric shock.



Touching some of the internal components can cause serious personal injury or death. Do not disassemble this appliance.

Consult a qualified electrician or serviceman if the grounding instructions are not completely understood or if doubt exists as to whether or not the appliance is properly grounded.

If it is necessary to use an extension cord, use only a 3-wire extension cord that has a 3-blade grounded plug, and 3-slot receptacle that will accept the plug on the appliance. The marked rating of the extension cord shall be equal to or greater than the electrical rating of the appliance. The cord should not drape over a countertop or tabletop where it can be pulled on by children or tripped over.

## Radio Interference

Operation of the microwave oven may cause interference to your radio, TV, or similar equipment. When there is interference, it may be reduced or eliminated with the following measures:

1. Clean door and sealing surface of the oven.
2. Reorient the receiving antenna of radio or television.
3. Relocate the microwave oven to a different location, or plug it into a different outlet so that the oven and receiver are on different branch circuits.

## Materials and Utensils in Microwave Oven

Tightly-closed containers could explode. Closed containers should be opened and plastic pouches pierced before cooking. There may be certain non-metallic utensils that are not safe to use for microwaving. If in doubt, test utensil in question with the following procedure:

1. Fill a microwave-safe container with 1 cup (250mL) of cold water along with utensil in question.
2. Cook on maximum power for 1 minute. Do not exceed 1 minute.
3. Carefully feel the utensil. If it is warm, do not use for microwave cooking.

For list of materials to use with microwave oven, please see below for proper handling:

Utensil	Notes
Aluminum Foil	For shielding only. Small, smooth pieces can be used to cover thin parts of meat or poultry to prevent overcooking. Arcing can occur if foil is too close to oven walls. The foil should be at least 1 inch (2.5 cm) away from oven walls.
Browning Dish	Follow manufacturer's instructions. Bottom of browning dish must be placed on ceramic board. Incorrect usage may cause the ceramic board to break.
Dinnerware	Only if labeled "microwave-safe." Do not use cracked or chipped dishes.
Glass Jars	Always remove lid, and use only to heat food until warm. Most glass jars are not heat-resistant and may break.
Glassware	Only if heat-resistant. Do not use cracked or chipped dishes, and make sure there is no metallic trim.
Oven Cooking Bags	Do not close with metal tie. Make slits to allow steam to escape.
Paper Plates and Cups	Use for short-term cooking/warming only. Do not leave unattended while cooking.
Paper Towels	Use only to cover food for reheating and absorbing fat. Do not leave unattended while cooking.
Parchment Paper	Use only as a cover to prevent splattering or wrap for steaming.
Plastic	Only if labeled "microwave-safe." Some plastic containers soften as food inside gets hot. "Boiling bags" and tightly closed plastic bags should be slit, pierced, or vented as directed by package.
Plastic Wrap	Only in labeled "microwave-safe." Use to cover food during cooking to retain moisture. Do not allow plastic wrap to touch food.
Thermometers	Only for use with meat and candy thermometers, and if labeled "microwave-safe."
Wax Paper	Use as a cover to prevent splattering and retain moisture.

For list of materials to avoid with microwave oven, please see below:

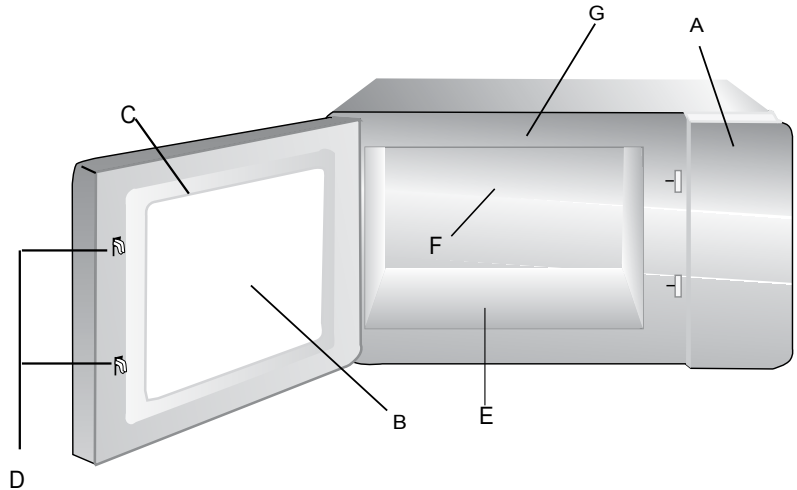
Utensil	Notes
Aluminum Tray	May cause arcing. Transfer food into microwave-safe dish.
Food Carton with Metal Handle	May cause arcing. Transfer food into microwave-safe dish.
Metal or Metal-Trimmed Utensils	Metal shields the food from microwave energy. Metal trim may cause arcing.
Metal Twist Ties	May cause arcing or start fire.
Paper Bags	May start fire.
Plastic Foam	May melt or contaminate the liquid inside when exposed to a high temperature.
Wood	Will dry out and split or crack.

## Names of Oven Parts and Accessories

- A. Control panel
- B. Observation window
- C. Door assembly
- D. Safety interlock system
- E. Ceramic board
- F. Back plate
- G. Front plate

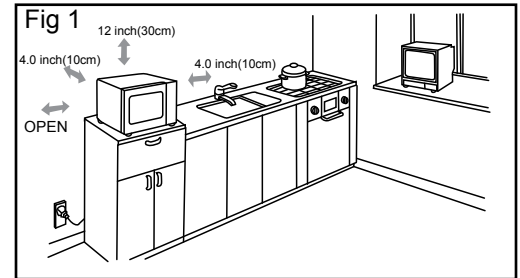
### NOTE:

1. Do not press the ceramic board forcibly.
2. Take and put the utensils gently during the operation in order to avoid damage to the ceramic board.
3. After using, do not touch the ceramic board by hand in order to avoid high temperature scald.



## Countertop Installation Instructions

1. Remove all packing material and accessories.
2. Examine the oven for any damage such as dents or a broken door. Do not install if oven is damaged.
3. Select a level surface and provide enough space for intake and/or outlet openings.
  - a. 4in. spacing should be kept between appliance and right and back walls.
  - b. 12in. spacing should be kept on the top.
  - c. The left side must be open.
4. Place the oven as far away from radios and televisions as possible.
5. Plug oven into standard household outlet. Be sure the voltage and the frequency are the same as what is listed on rating label.
6. Make sure the plug socket is kept away from any vents on the oven. Appliance can be installed with a degree of overlap (see Figure 2). The maximum overlap height is two layers.



## Installation

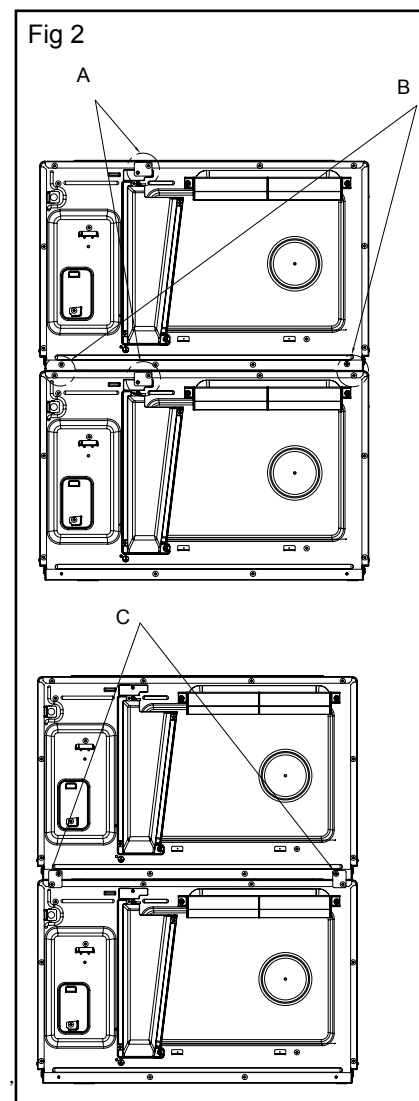
1. Select a level surface that provide enough open space for the intake and/or outlet vents (Figure 1).

A 4in. spacing should be kept between the appliance and right and back walls, and a 12in. spacing kept on the top. Never dismantle the appliance's feet, not block the air intake and exhaust opening. The left side must be open.

- A. Blocking the intake and/or outlet openings can damage the oven.
- B. Place the oven as far away from radios and TVs as possible. Operation of microwave oven may cause interference to your radio or TV reception.
- C. Plug your oven into a standard household outlet. Be sure the voltage and the frequency is the same as the voltage and the frequency on the rating label.
- D. **WARNING:** The plug socket, electric appliances or the appliance which are liable effected by heat and moisture should be kept away from any vents on the oven.

2. The appliance can be installed with a degree of overlap (Figure 2). The maximum overlap height is two layers.

- A. Loosening screw, taking off installation board, then replacing screw in its place tightly.
- B. Taking off four screws as shown in the picture.
- C. Putting installation board to the following location then fixing screw just taking off tightly.



## Cleaning Instructions

Always keep the oven clean. For cleaning instruction on particular pieces of the appliances, see below:

Glass Viewing Window, Inner Door Panel, and Oven Front:

1. For best performance and to maintain a high degree of safety, inner door panel should be free of food and grease build-up.
2. Wipe parts with mild detergent, rinse, and wipe dry.
3. Never use abrasive powders or pads.

Control Panel and Plastic Parts:

1. Do not apply a detergent or alkaline liquid spray, as it may cause damage.
2. Use a dry cloth, not a soaked cloth.



Scrub your glass to a sparkling shine while leaving absolutely no residue or streaks with this Noble Chemical Reflect glass cleaner! Reflect boasts a ready to use formula that quickly penetrates dust, grease, soil and smoke on all glass surfaces.

Oven Interior:

1. Be sure to clean up spilled liquids, splattered oil, and food debris as quickly as possible. If oven is used when dirty, efficiency drops and dirt that gets stuck may cause odors.



2. Use cloth soaked in lukewarm water with a mild detergent that has been dissolved, then rinse soap off with damp cloth.



Do not wipe plastic and painted sections of the oven with bleach, thinners, or other cleaning agents. This may cause parts to dissolve.

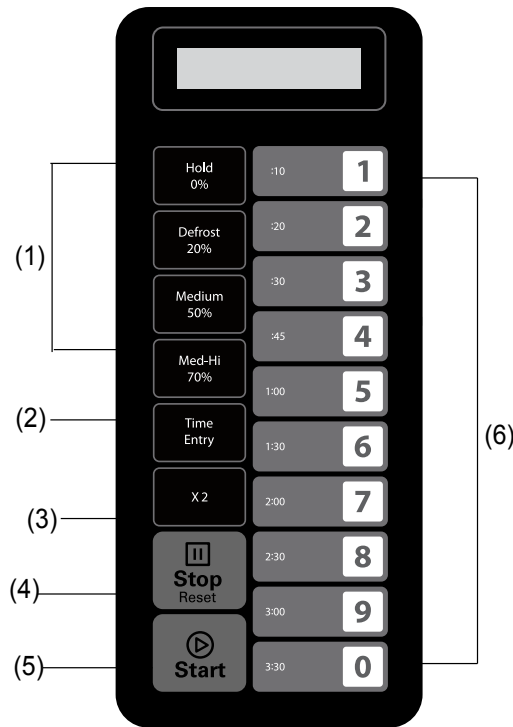
Clean oil blockage and filter regularly. Otherwise, stain on oil blockage will drop on food and appliance will overheat.



Easily attack and eliminate 99.99% of harmful bacteria with this Noble Chemical QuikSan sanitizer and disinfectant. Its powerful solution is perfect for sanitizing virtually all hard, nonporous food contact surfaces quickly and efficiently.

## Operation - Control Panel and Features

1. Power Buttons
2. Time Entry Button
3. Stop/Reset Button
4. Start Button
5. Double Quantity Button
6. Number Keyboard



Items bolded below are the default value.

Option	Setting	Discription
1 EOC Tone	<b>OP:10</b>	<b>3 seconds beep</b>
	OP:11	Continuous beep
	OP:12	5 quick beeps, Repeating
2 Beeper Volume	OP:20	Beeper Off
	OP:21	Low
	<b>OP:22</b>	<b>Medium</b>
3 Beeper On/Off	OP:23	High
	OP:30	Keybeep Off
4 Keyboard Window	<b>OP:31</b>	<b>Keybeep On</b>
	OP:40	15 seconds
	OP:41	30 seconds
5 On the Fly	<b>OP:42</b>	<b>60 seconds</b>
	OP:43	120 seconds
	OP:50	On-the-Fly Disable
6 Door Reset	<b>OP:51</b>	<b>On-the-Fly Enable</b>
	<b>OP:60</b>	<b>Door reset Disable</b>
7 Max time	OP:61	Door Reset Enable
	<b>OP:70</b>	<b>60 Minute Maximum Cook Time</b>
8 Manual Programming	OP:71	10 Minute Maximum Cook Time
	OP:80	Manual Programming Disable
9 Double Digit	<b>OP:81</b>	<b>Manual Programming Enable</b>
	<b>OP:90</b>	<b>Single Digit Mode-10 programs</b>
	OP:91	Double Digit Mode-100 programs



## Operation Instructions

### Power Up

1. “- - - -” displays when the oven is electrified for the first time. If “pause” button, the oven will change to idle mode.
2. For some models, “230V TOUCH 1 208V TOUCH 2” displays when oven is electrified for the first time. Press number buttons “1” or “2” to choose, and the screen will alternate display.

### Idle Mode

1. The oven will enter idle mode after a set of seconds have expired in Ready Mode without a keyboard press or opening or closing of the door. The number of seconds is determined by the keyboard Timeout Window, set by User Option 4.
2. During idle mode, the screen will remain blank.
3. To exit, open and close the oven door.
4. Please not that under idle mode, no button can be pressed.

### Ready Mode

1. In this mode, oven is ready to begin manual or preset cook style.
2. During Ready Mode, the word “READY” will display.
3. From the Ready Mode, the oven can go to almost all other modes.

### Door Open Mode

1. While door is open, oven will be in Door Open mode.
2. Screen will remain blank, but fan and oven lamp will work.
3. When door is closed, if User Option OP:60 is selected and the oven was running a manual or preset cook style, the oven will enter pause mode.

### Pause Mode

1. This mode allows users to temporarily stop the cooking cycle to inspect or stir food item.
2. While paused, the screen will display the remaining cook time.

### Manual Cook Entry Mode

1. The user may manually enter a cook time and power level while in this mode.
2. While the oven is in Ready Mode, pressing the “Time Entry” pad on the keyboard will put oven into Manual Cook Entry Mode.
3. During this mode, “00:00” will display. Users can input the time they require.
4. If users press “Hold 0%,” “Defrost 20%,” “Medium 50%,” or “Med-Hi 70%” button to select power level, the screen will display the related power. If the same button is pressed twice, the power will change to PL10. If no power is chosen, PL10 is the default.

## Manual Cook Mode

1. This mode allows cooking of food items.
2. During this mode, remaining cooking time displays. The fan and oven lamp will light.
3. When the cooking program is finished, the oven will enter End of Cook Cycle Mode.

## End of Cook Cycle Mode

1. During this mode, “DONE” will display.
2. If either User Option OP:11 or OP:12 is selected, the oven shall continue to sound until the user acknowledges this by either opening and closing the door or pressing the “PAUSE” pad. If User Option OP:10 is selected, after the 3 second beep, the oven will go into Ready Mode.

## Preset Program Cook Mode

1. This mode allows cooking of food items through a one pad touch operation.
2. During this mode, the screen displays the remaining cooking time. If it is multi-stage cooking, the total remaining cooking time will continue to display.
3. When the cooking program finishes, the oven will enter End of Cook Cycle Mode.

## On the Fly Cooking

1. While the oven is cooking, if User Option OP:51 is selected, press number buttons and the preset cooking program will start automatically.
2. During this mode, the screen will display the remaining cooking time.
3. When the cooking program finishes, the oven will enter End of Cook Cycle Mode.

## Programming Mode

1. This mode allows the user to assign cook times and power levels to the one-touch button.
2. Open the door and press the “1” pad for 5 seconds. The buzzer will sound once and enter into Programming Mode.
3. “PROGRAM” displays. Enter the number you wish to use from 1-99. The screen will display :30. Now you will enter your desired time.
4. If users press “Hold 0%,” “Defrost 20%,” “Medium 50%,” or “Med-Hi 70%” button to select power level, the screen will display the related power. If the same button is pressed twice, the power will change to PL10. If no power is chosen, PL10 is the default.
5. To change cooking factors: Press “X2” and the screen will display “CF:XX.” The default factor is 80% and “CF:08” will display. If you need to change the cooking factor, just press one of the number buttons to set.
6. After setting the time and power, press “START” and the cooking program will be saved.
7. If the cooking time exceeds the maximum time allowed, the buzzer will sound three times. The screen will turn back to display “PROGRAM.”
8. Close the door, the oven will turn back to Ready Mode.

**Note** – If the electricity is cut off, the saved program will not be lost. If the program needs to be reset, just repeat these steps.

**Double Quantity Cooking**

1. Through use of the X2 pad, the user can easily set the time for a particular food item.
2. If the “X2” button is pressed in ready mode or within 5 seconds of starting a Preset Program, the oven will start cooking with the quantity preset cooking time.
3. This function can be used under Preset Program Mode.

**Stage Cooking Programming**

1. This mode allows users to cook food items at manual cook mode and programming mode.
2. Up to 3 stages can be set under Cooking Mode or Programming Mode.
3. After setting the power and time for the first stage, press “Time Entry” to set the second stage
4. When setting the second and third stages, “STAGE-2” and “STAGE-3” will display.

**Use Option Mode**

1. This mode allows the user to choose various ways for the oven to operate.
2. Open the door and press “2” pad for 5 seconds. The buzzer will sound once.
3. The screen will display “OP: - -“
4. Press any number button to enter related mode setting.
5. Press “START” to save the current setting. After it is saved, “OP: - -“ will display again.
6. If “START” button is not pressed at the last step, the program cannot be saved.

**Service Mode**

1. Open the oven door and press the “3” pad for 5 seconds to enter Service Mode.
2. The screen will display “SERVICE.”
3. To check the times of closing or opening the door, just press number button “3” and the screen will display.
4. Press the “1” pad for Tube Hours.
5. Press the “2” pad for Tube Cycles.
6. Press the “3” pad for Door Cycles.
7. Press the “4” pad to clear service information.

**Factory Default Setting**

1. In the Ready Mode, press “START” and “0” to restore factory default setting.
2. The buzzer will sound once and the screen will display “CHECK.”
3. If it is in the factory default setting, the screen will display “11” and after 3 seconds the oven will turn to Ready Mode.
4. If it is not in the factory default setting, the screen will display “00.”
5. Press “START” and the screen will display “CLEAR.” After self-testing, the screen will display either “11” or “00.”
6. If the user does not press “START” when the screen reads “00,” the setting will cancel.
7. Please use caution as this operation can restore all configurations to the factory default setting.

## Troubleshooting

For problems with the microwave oven, please use the chart below to find a solution for each issue.

Problem	Possible Cause	Remedy
Oven will not start	A. Electrical cord is not plugged in B. Door is open. C. Wrong operation is set.	A. Plug into outlet. B. Close door and try again. C. Check instructions.
Arcing or sparking	A. Materials to be avoided in oven were used. B. The oven is empty. C. Spilled food remains in the cavity.	A. Use microwave-safe cookware only. B. Do not operate with oven empty. C. Clean with wet towel.
Unevenly cooked foods	A. Materials to be avoided in oven were used. B. Food is not defrosted completely. C. Cooking time and power level are not suitable. D. Food is not turned or stirred.	A. Use microwave-safe cookware only. B. Completely defrost food. C. Use correct cooking time and power level. D. Turn or stir food.
Overcooked foods	Cooking time and power level are not suitable.	Use correct cooking time and power level.
Undercooked foods	A. Materials to be avoided in oven were used. B. Food is not defrosted completely. C. Oven ventilation ports are restricted. D. Cooking time and power level are not suitable.	A. Use microwave-safe cookware only. B. Completely defrost food. C. Correct ventilation ports. D. Use correct cooking time and power level.
Improper defrosting	A. Materials to be avoided in oven were used. B. Cooking time and power level are not suitable. C. Food is not turned or stirred.	A. Use microwave-safe cookware only. B. Use correct cooking time and power level. C. Turn or stir food.
The screen display is "E-01" or "E-02"	Temperature sensor breakdown.	Unplug, then plug in again after 10 seconds.
The screen display is "OVEN IS HOT, DO NOT OPEN THE DOOR"	High temperature in the oven will activate over-heating protection.	Wait for 3 minutes, and then oven can eliminate faults automatically. Remember, do not overheat food, do not work without food in oven, and clean vent if it is blocked.
Lamp light and fan make noise when the oven finishes working	Lamp light and fan still operate when the oven is finished working.	This is normal

## Limited Warranty

### **Solwave Models: MW1200T, MW1800T, MW2100T**

All new Solwave models used for commercial purpose are warranted against defects in materials and workmanship under normal use and maintenance. The Warranty runs for one year on parts and labor and three years on the magnetrons from the date of original installation and is for the benefit of the original purchaser only. All other warranties, expressed or implied, statutory or otherwise, including without limitation any implied warranty of merchantability for fitness for purposes are excluded. The seller shall in no event be liable for direct, indirect or consequential damages in connection with Solwave commercial products.

### **Exclusions**

The following conditions are not covered by warranty:

- Equipment damage or equipment failure occurs because of accident, carelessness, lack of proper set-up, supervision when required, or if the equipment is installed or operated in any manner contrary to the installation and operating instructions.
- Equipment damage or equipment failure due to improper installation, improper utility connection or supply, and problems due to ventilation.
- Equipment that has not been used appropriately, or has been subject to misuse, neglect, abuse, accident, alteration, negligence, damage during transit, delivery or installation, fire, flood, or act of God. • Equipment that has the model number or serial number removed or altered.
- Equipment that has been changed, altered, or modified or repaired by other than an Authorized Service Agency. Solwave shall not be held liable for any damages to any person or property which may result from the use of the equipment thereafter.

This warranty does not apply to, and Solwave is not responsible for any warranty claims on products sold or used outside of the contiguous United States.

This equipment is intended for commercial use only. Warranty is void if equipment is installed in other than commercial applications.