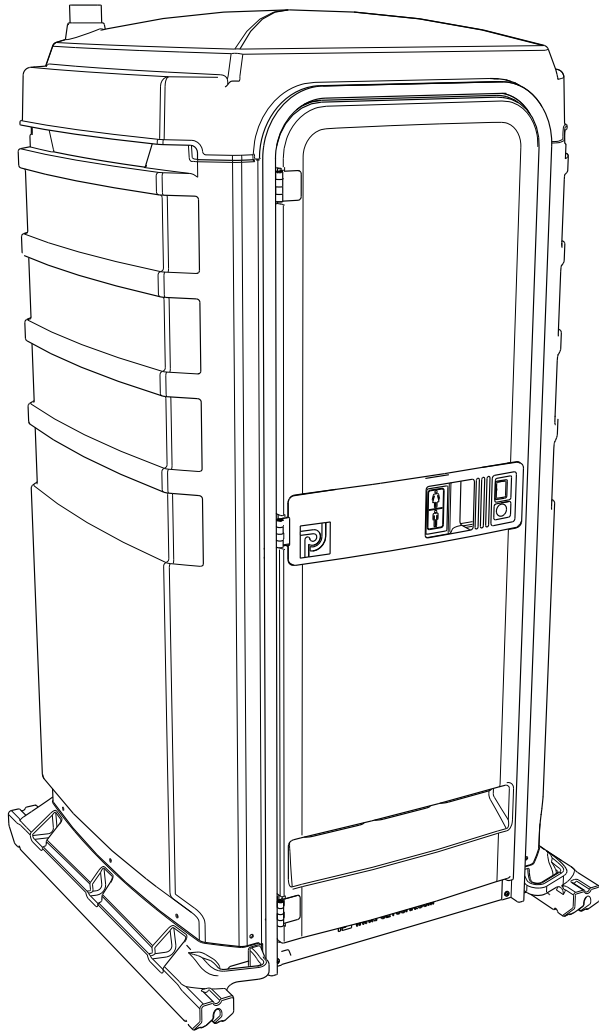


# SC1-1000 City Mains Operations Manual



## SPECIFICATIONS

DIMENSION	IMPERIAL	METRIC
Exterior Height	91 in	231 cm
Interior Height	83 in	211 cm
Exterior Width	47 in	119 cm
Interior Width	45.7 in	109 cm
Exterior Length	47 in	119 cm
Interior Length	43 in	116 cm
Weight	243 lb.	110 kg
Door Frame Height (ID)	75 in	191 cm
Door Frame Width (ID)	26 in	66 cm
Side Panel Decal Area	6 in X 37 in	15 cm X 94 cm
Door Decal Area	22.5 in X 29 in	57 cm X 74 cm
Seat Height	16.5 in	42 cm
Water Use Per Flush	3 gal	11.35 L

### **POLYJOHN USA**

PolyJohn Enterprises Corp.  
2500 Gaspar Ave.  
Whiting, IN 46394  
Phone: 800-292-1305  
Fax: 219-659-0625  
www.polyjohn.com  
info@polyjohn.com

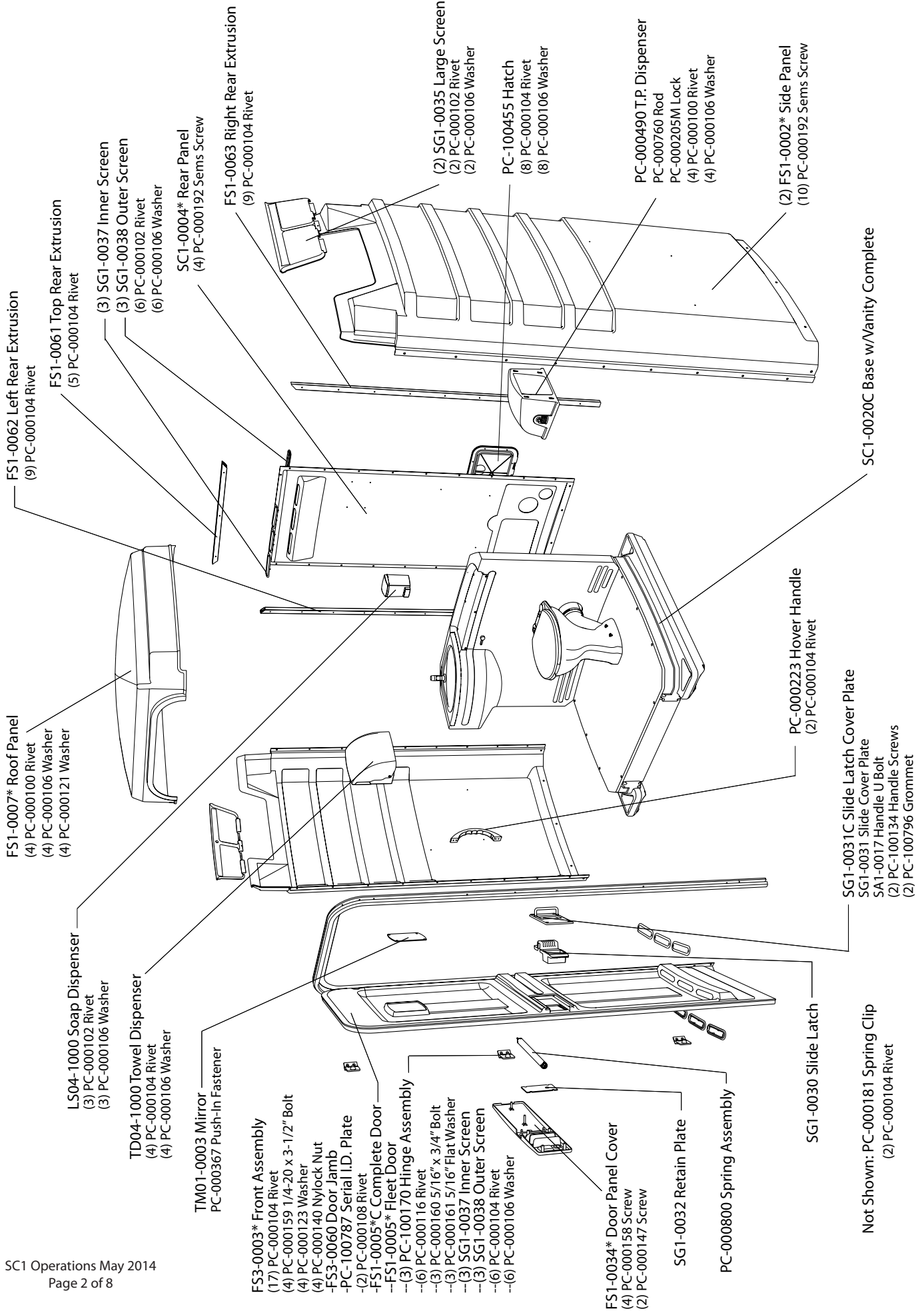
### **POLYJOHN WORLDWIDE**

PolyJohn (UK) Ltd.  
Equinox 1 Audby Lane  
Wetherby, England LS22 7RD  
Phone: 44 (0) 1937-583333  
Fax: 44 (0) 1937-583322  
sales@polyjohn.co.uk

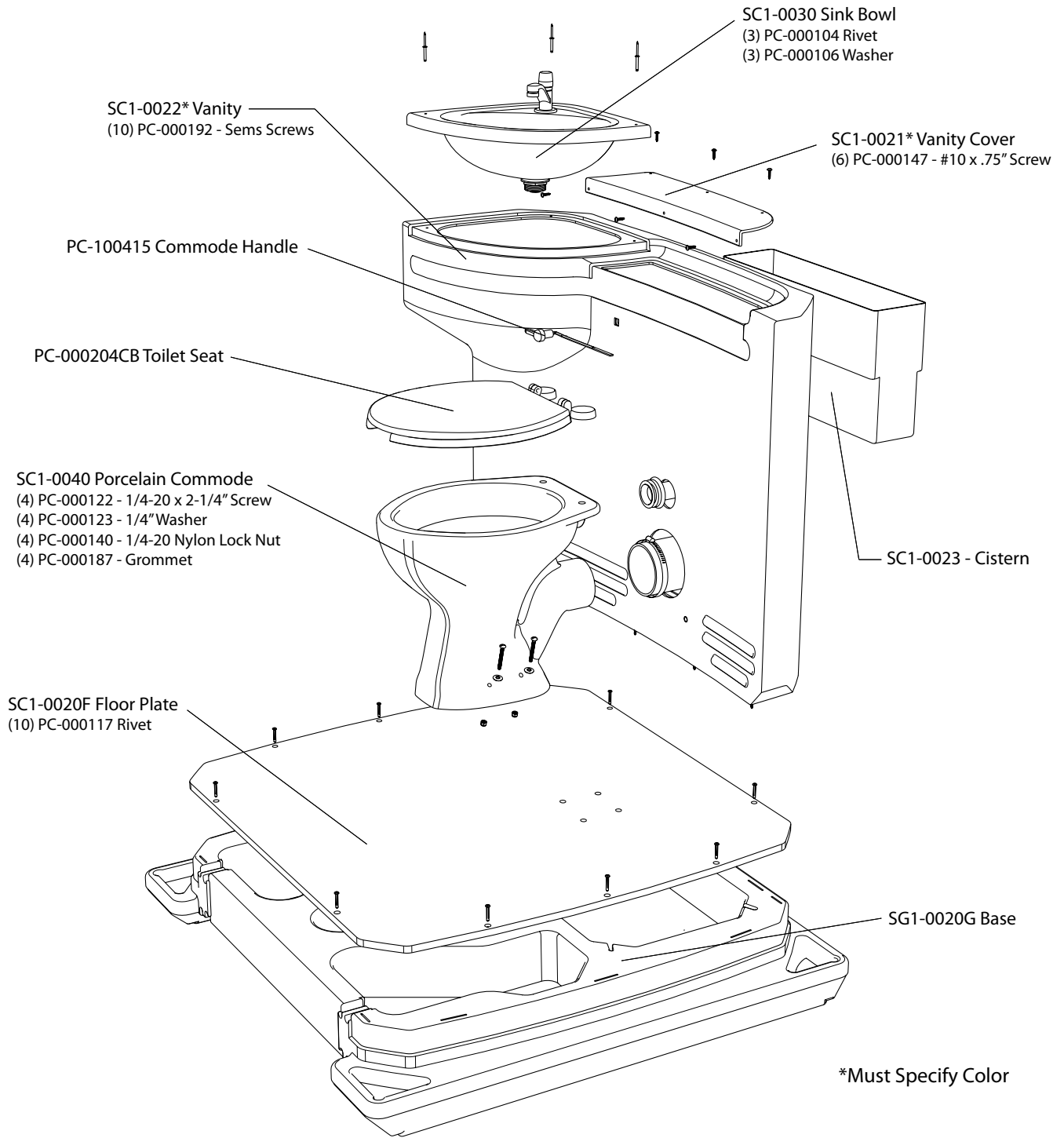
### **POLYJOHN CANADA**

Rama Plastics  
P.O. Box 2300  
199 Forest Plain Rd.  
Orillia, Ontario LV3 6S2  
Phone: 800-465-9590  
Fax: 705-325-8250  
info@ramaplastics.ca

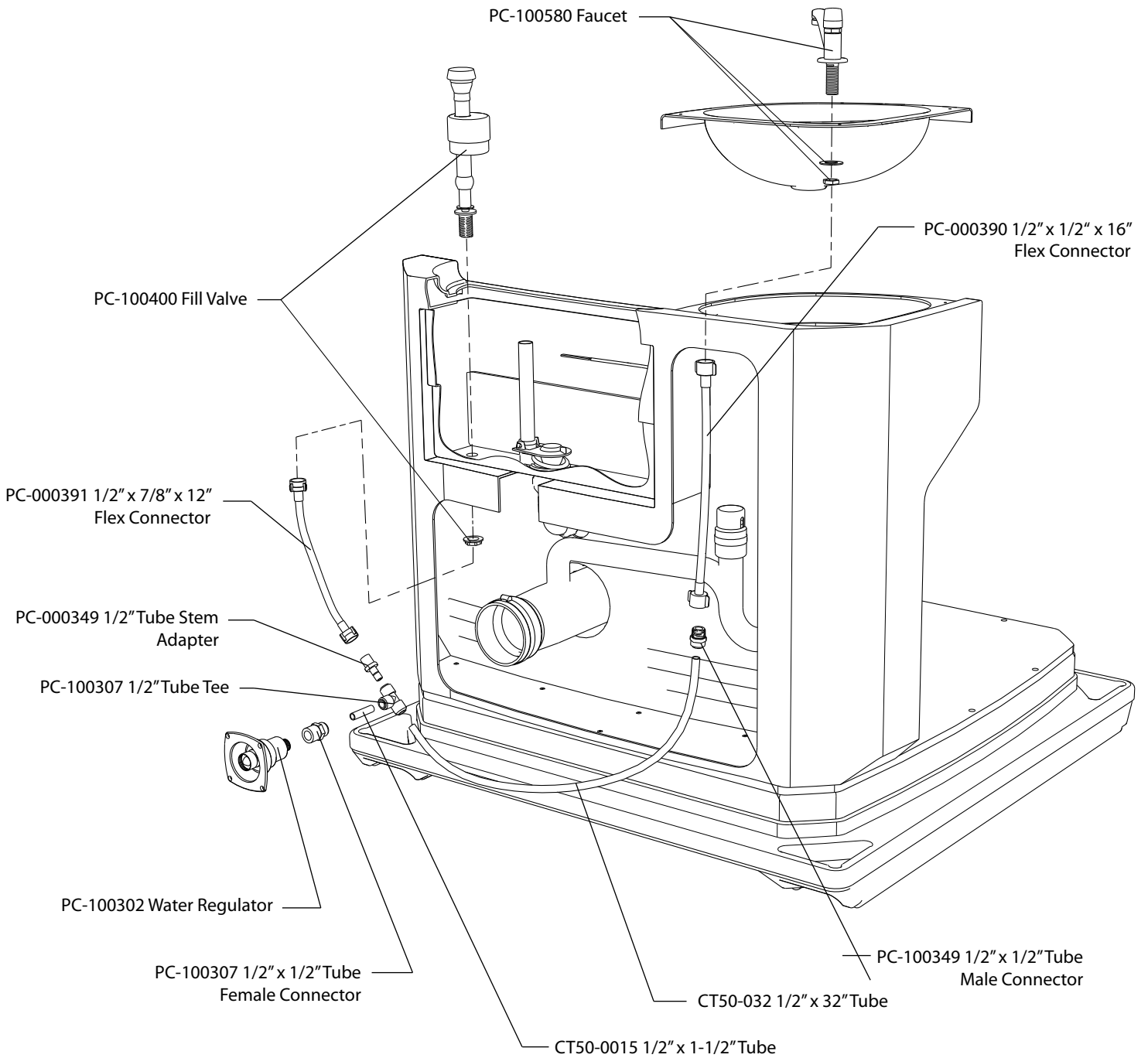
# SC1-1000 City Mains Exploded Parts Diagram



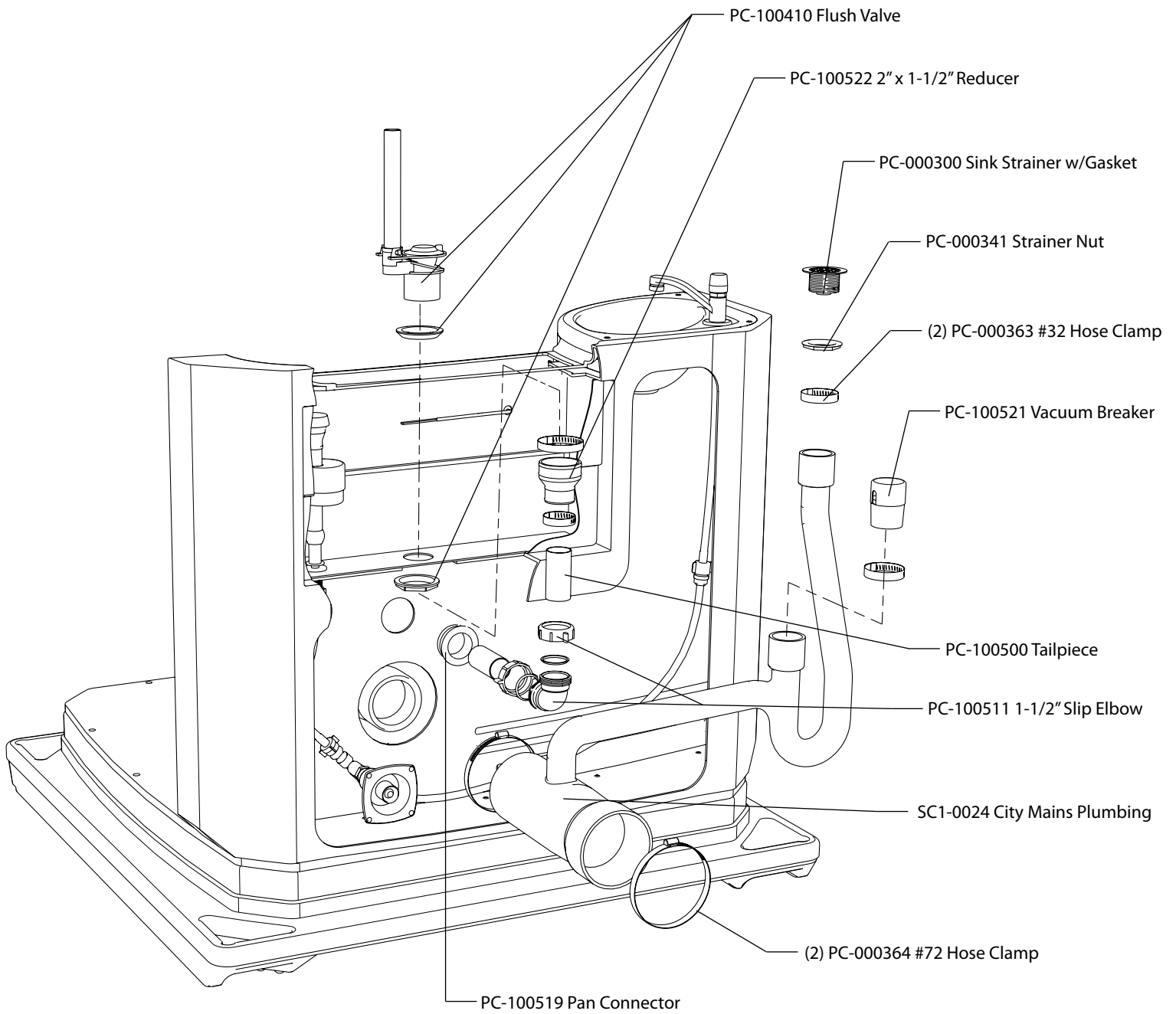
# SC1-0020C Main Parts Diagram



# SC1-0020C Fresh Water Plumbing Parts



# SC1-0020 Waste System Parts



## General Information

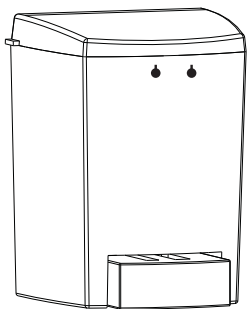
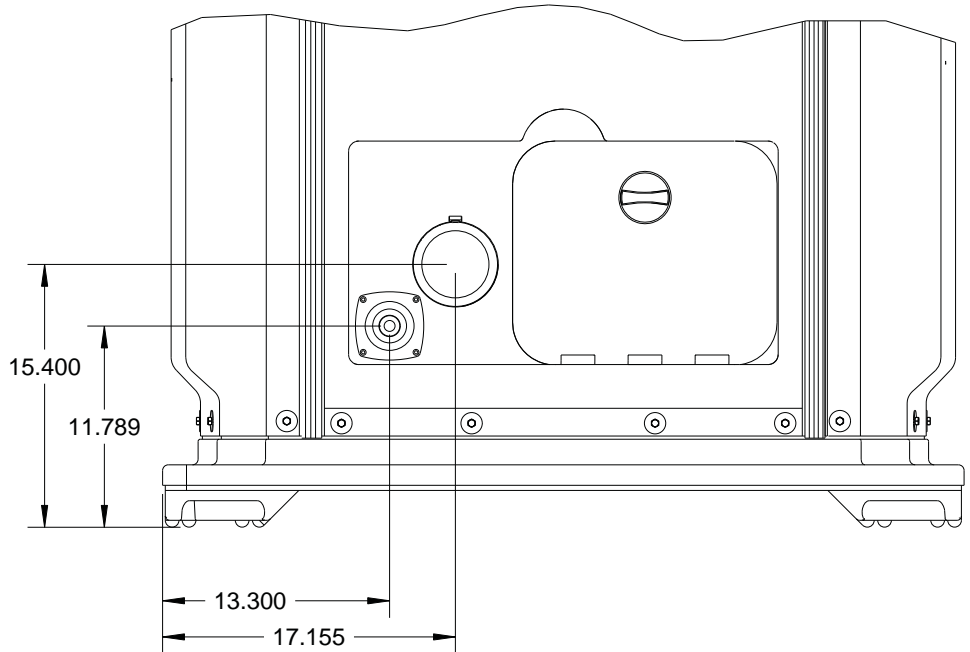
The City Mains unit is an upscale portable restroom designed to be used in a permanent or semi-permanent installation. It features a porcelain commode, a sink with self closing faucet, soap dispenser, toilet paper dispenser, paper towel dispenser, and mirror. A pressurized fresh water connection and holding tank or sanitary sewer connection are required to operate..

## Setup

Place the unit on a flat level surface, close to where the fresh water source and sanitary connection is located. Because of the permanent nature of the unit, it is recommended to leave space on the back side of the unit so that maintenance can be performed through the rear hatch if needed. Connect the fresh water using a 3/4" garden hose connection and connect the waste using a 4" pvc pipe inclined no less than 1/8" per foot. The waste pipe can be connected to either a sewer line, or a holding tank, provided the holding tank is below the height of the discharge pipe of the unit.

On the inside, remove the 6 screws that hold the vanity lid on. Turn the water on to the unit, and check to see that the cistern is filling with water. The amount of water that the unit uses to flush can be adjusted by moving the float up or down on the water intake valve, located on the right side of the cistern.

When the water has reached the desired level, flush the toilet. Run also the sink at this time by depressing the button on the faucet. Be sure that some of the plumbing didn't loosen during transport by going around the rear of the unit, and opening the hatch in the rear panel, and checking the plumbing for leaks.



### Soap Dispenser

To fill the soap dispenser, open it by placing your hands on both sides of the dispenser. Position your thumbs on the front approximately where the two dots are located in the illustration (*the tips of your thumbs should be inline with the gray top, but not on it*). Push in on the clear plastic while using your thumbs to "pop" the gray lid off. Fill with 30 fluid ounces of liquid soap. Snap the lid back on. The dispenser can be removed from the side wall for cleaning by removing the top, and then pressing in on the tab located at the rear of the dispenser, while lifting up on the dispenser body.

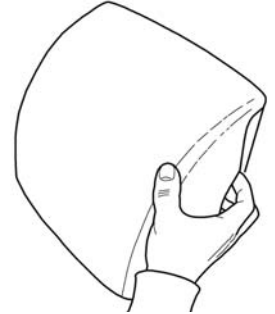
## **General Paper Towel Information**

These dispensers are designed to accept towels that are no wider than 9-1/2" wide, whether using single, multi-fold, or a roll towel. The recommended towels are the *Georgia Pacific #23504 - single fold towel* or the *Baywest Ecosoft #46200 - roll towel*. **NOTE: The use of a roll towel complies with ADA requirements.**



### **Opening the Paper Towel Dispenser**

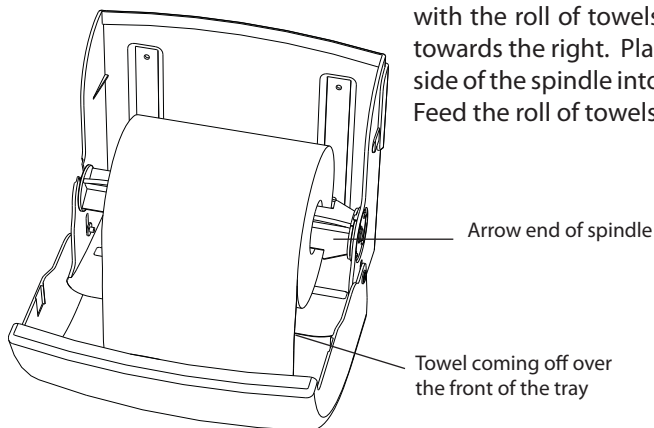
Position your hands on both sides of the dispenser cover (*as shown*). While pulling out on both sides lift up the cover and pull down towards yourself.



### **Filling the Dispenser**

**Filling with Fold Towels:** Place the package of towels on the towel tray with the fold of the towel facing downward. Pull the first towel through the middle opening of the paper towel tray. Close the cover.

**Filling with a Roll of Towels:** Place the roll of towels on the spindle with the roll of towels coming off towards you with the arrow end of the spindle facing towards the right. Place the spindle into the right side of the dispenser first. Place the left side of the spindle into the groove on the left side of the dispenser and push down in place. Feed the roll of towels over the front of the paper towel tray. Close the cover.



## **Cleaning and Maintenance**

- Use a mild soap to clean all surfaces and component parts. A toilet bowl cleaner may be used to clean the porcelain commode.
- The sink bowl and mirror are acrylic, do not use solvent cleaners, use only a mild liquid soap. To maintain a gloss, use a flannel cloth with a good plastic cleaner or polish.
- Minor scratches and abrasions can be lightly sanded or scrubbed with a mild abrasive cleaner (*such as "Soft Scrub"*) that contains calcium carbonate, hypochlorate bleach and detergents. Be sure to follow the cleaning product directions since these ingredients may cause hazardous gases when mixed with other chemicals. Rinse the cleaned area and buff with a conventional wax.
- Some light scratches may also be hidden by using an industrial hot air gun.
- To keep the interior smelling fresh, spray the interior with a deodorant spray.

For a source of cleaning, deodorizing and paper products contact:

**COOPER'S OWN  
2500 GASPAR AVE.  
WHITING, IN 46394-2175  
800-292-1305  
[www.polyjohn.com/products/supplies/cooper-s-own/](http://www.polyjohn.com/products/supplies/cooper-s-own/)**

## **Winterizing**

Turn off the water supply and disconnect the fresh water line from the rear of the unit. On the inside, remove the 6 screws that hold the vanity cover in place, and set the vanity cover aside. Flush the unit by holding the handle down until all (most) of the water is out of the cistern. Use a wet vac or a towel to remove the remaining water. Reinstall the vanity lid. Using a plunger, push out the standing water in the toilet. Use a wet vac or towel to remove the remaining water.

Disconnect the waste connection at the rear of the unit. Open the hatch, and at the 'Tee' fitting, disconnect the fresh water line that feeds the faucet. This is done by pushing the ring at the end of the fitting (where the tubing connects) towards the fitting, and then pulling out the tube. On the inside of the unit, depress and hold the faucet button to let the water out of the line. Reconnect the line by pushing the tubing completely into the fitting until it's fully seated. It might take a little extra push to get it past the internal o-ring to get it fully seated.

We highly recommend membership in the Portable Sanitation Association International (PSAI); the worldwide authority on portable sanitation services. The PSAI, "Portable Sanitation Industry Certification Program" manual contains a wealth of information on standards and service procedures. For more information contact the PSAI:

PORTABLE SANITATION ASSOCIATION INTERNATIONAL (PSAI)  
7800 METRO PARKWAY, SUITE 104  
BLOOMINGTON, MINNESOTA 55425 USA  
800-822-3020 / 612-854-8300 FAX 612-854-7560  
[www.pesai.org](http://www.pesai.org)

PolyJohn Enterprises Corporation publishes a series of technical manuals of guides for the Portable Sanitation Association International. Contact your area sales representative for further details.

## **OUR MISSION STATEMENT**

"PolyJohn is a family owned, state of the art, plastics manufacturing company dedicated to providing its employees with a work environment committed to excellence, and its customers with innovative products, services and technology that meet or exceed their requirements."

**THANK YOU FOR PURCHASING POLYJOHN PRODUCTS!**

Look for us on the web @PolyJohn.com