

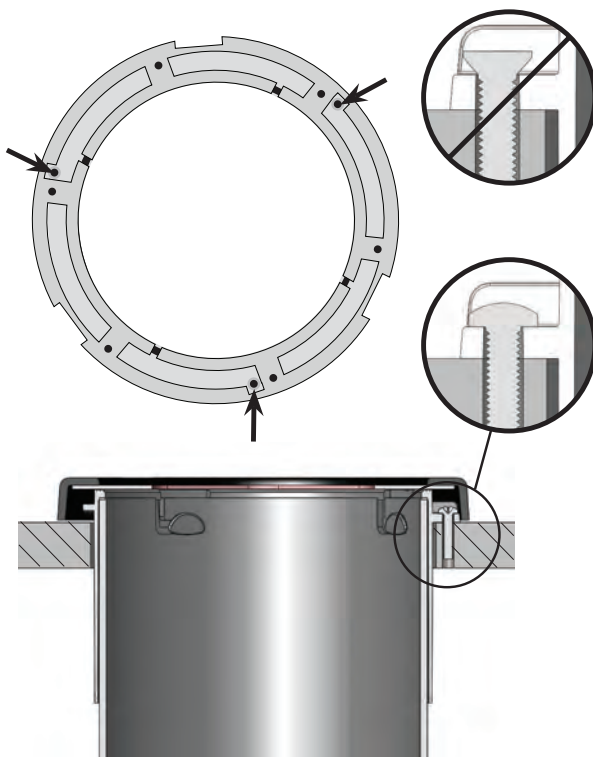
# C2010C EZ-FIT® PORTION CUP DISPENSER INSTALLATION INSTRUCTIONS

## 1. CUT HOLE IN COUNTER SURFACE



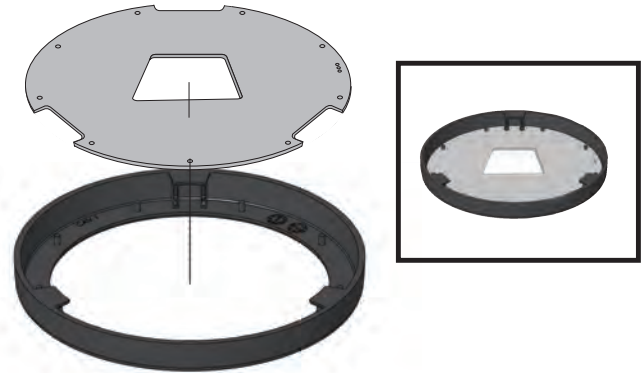
## 2. REMOVE TRIM RING TURNING COUNTER CLOCKWISE

## 3. SECURE CUP DISPENSER TO COUNTER WITH SUPPLIED SCREWS (#6 screws)

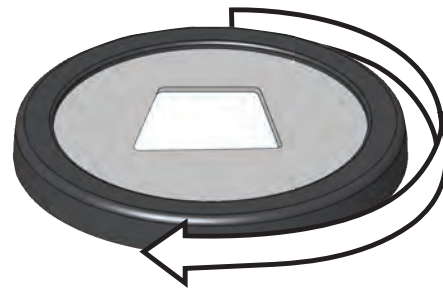


## 4. SELECT PROPER SIZE GASKET FOR CUP (SEE TABLE ON BACK)

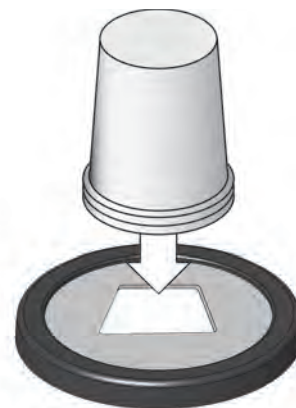
## 5. INSTALL GASKET OVER POSTS IN UNDERSIDE OF RING



## 6. REPLACE COVER RING WITH GASKET BY TURNING CLOCKWISE OVER MOUNTING RING UNTIL SECURE



## 7. LOAD CUPS THROUGH GASKET



## REPLACEMENT PARTS & ACCESSORIES

**C2011BK** Black Mounting Ring  
**C2016BK** Black Trim Ring

**C2012B** Spring End Cap  
**C2013GY**

**C3026GY** Cup Pusher  
**XC2023S** Small Gasket

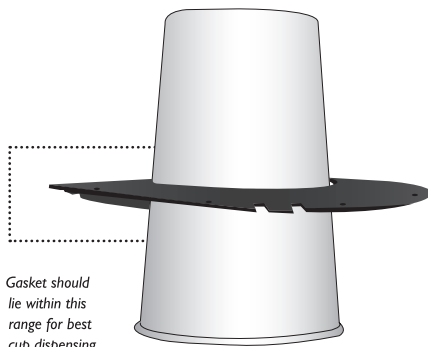
**XC2023M** Medium Gasket  
**XC2023L** Large Gasket

**XC2023XL** Extra Large Gasket

# GASKET SIZING GUIDE

Approximate Cup Rim Diameter		Approximate Cup Size Range	Gasket Size	Part Numbers	Quantity of Gaskets in Kit
minimum	maximum				
1 1/2" (38 mm)	1 5/8" (121 mm)	3/4 oz (22 mL)	SMALL	XC2023S	3
1 11/16" (43 mm)	1 15/16" (49 mm)	1 oz (30 mL) to 1 1/4 oz (37 mL)	MEDIUM	XC2023M	3
1 15/16" (49 mm)	2 1/8" (54 mm)	1 1/4 oz (37 mL) to 2 oz (59 mL)	LARGE	XC2023L	3
2 5/16" (59 mm)	2 7/16" (62 mm)	2 oz (59 mL) to 2 1/2 oz (74 mL)	EXTRA LARGE	XC2023XL	3
				XC2022 One each-Small, Medium, Large, Extra Large	4

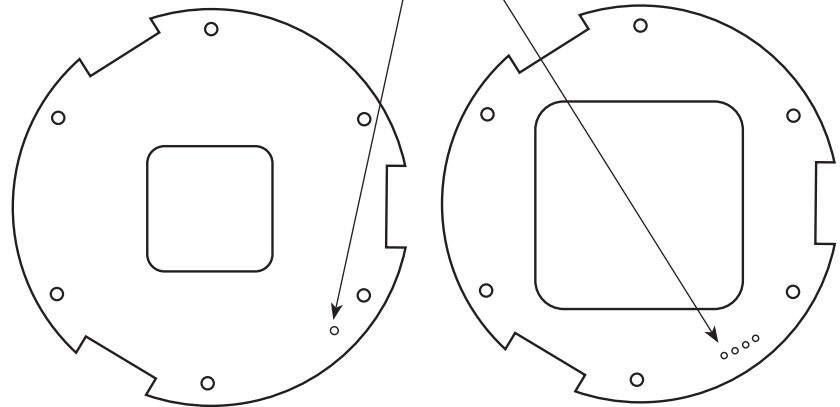
## HOW TO DETERMINE WHICH GASKET TO USE



Gasket should lie within this range for best cup dispensing performance.

1. Turn cup upside down.
2. Affix gasket over cup. Gasket should rest about 2/3 of the way down from rim of cup.
3. When gasket fits appropriately, this indicates the correct gasket size to use.

SMALL GROUPING OF HOLES ON EDGE INDICATE GASKET SIZE (SEE CHART)



# OF HOLES	GASKET SIZE	PART #
°	SMALL	XC2023S
° °	MEDIUM	XC2023M
° ° °	LARGE	XC2023L
° ° ° °	EXTRA LARGE	XC2023XL

**San Jamar**  
555 Koopman Lane  
Elkhorn, Wisconsin 53121  
USA  
T: +1.262.723.6133  
F: +1.262.723.4204  
info@sanjamar.com  
www.sanjamar.com

**Canada**  
15252 32nd Avenue  
Suite 309  
Surrey, BC V3S 0R7  
CANADA  
T: +1.262.723.6133  
F: +1.262.723.4204  
canada@sanjamar.com

**Europe**  
Schoorstraat 26a, bus 1  
2220 Heist op-den Berg  
BELGIUM  
T: +32 1522 8140  
F: +32 1522 8148  
emea@sanjamar.com

**México**  
Av. Universidad #1377-701  
Colonia Axotla CP 01030  
Del. Alvaro Obregón  
MEXICO, D.F.  
T: +52 (55) 3626 0772  
F: +52 (55) 5273 4495  
mexico@sanjamar.com



C2019B\_RevD