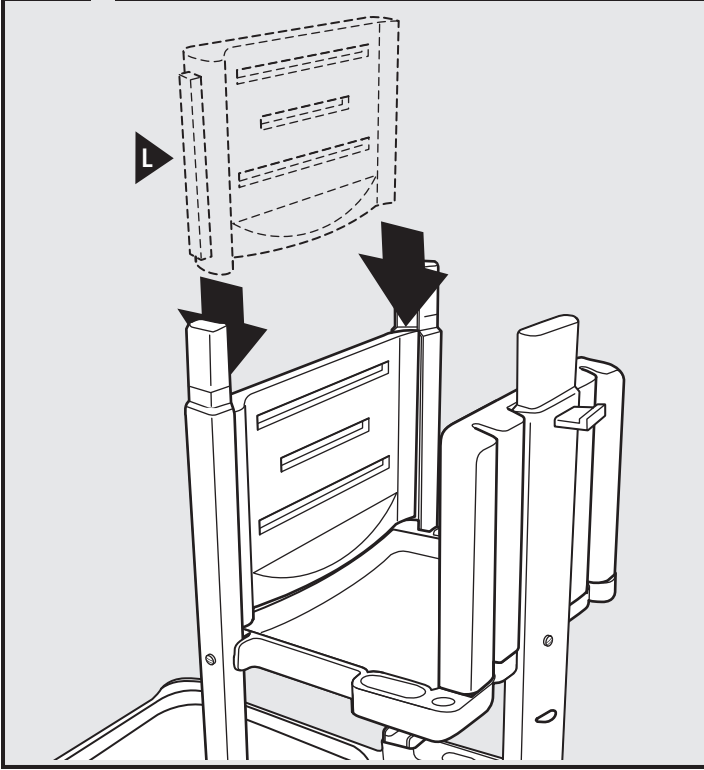


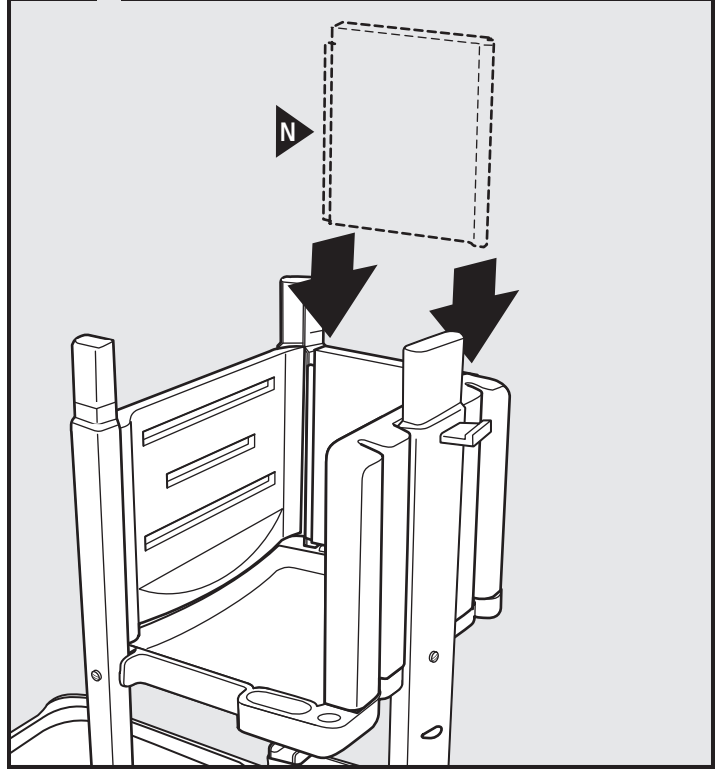
5

1861430



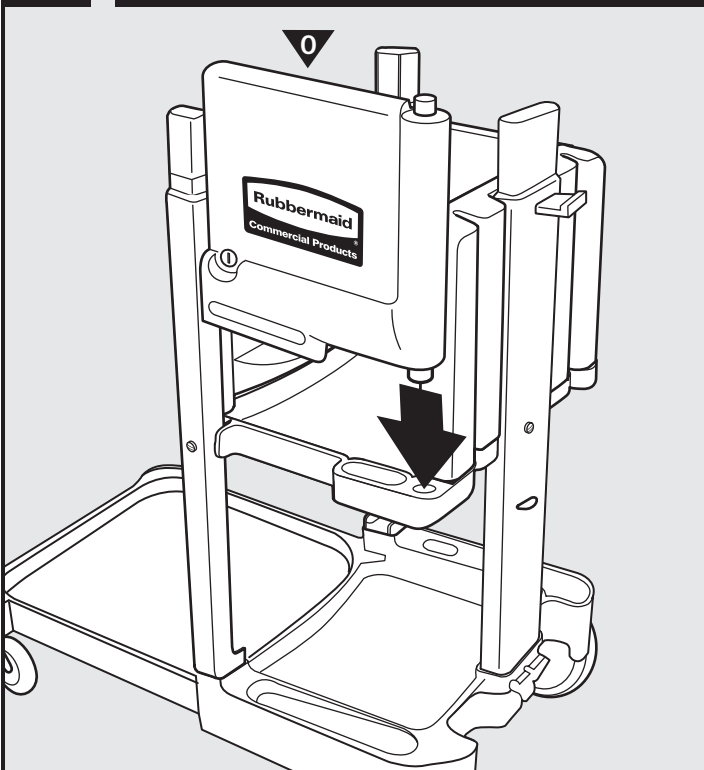
6

1861430

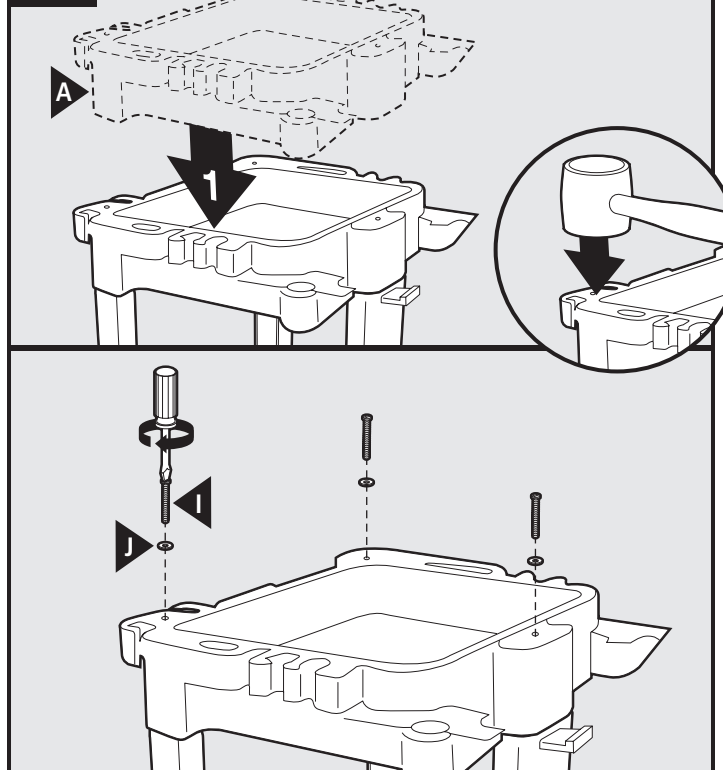


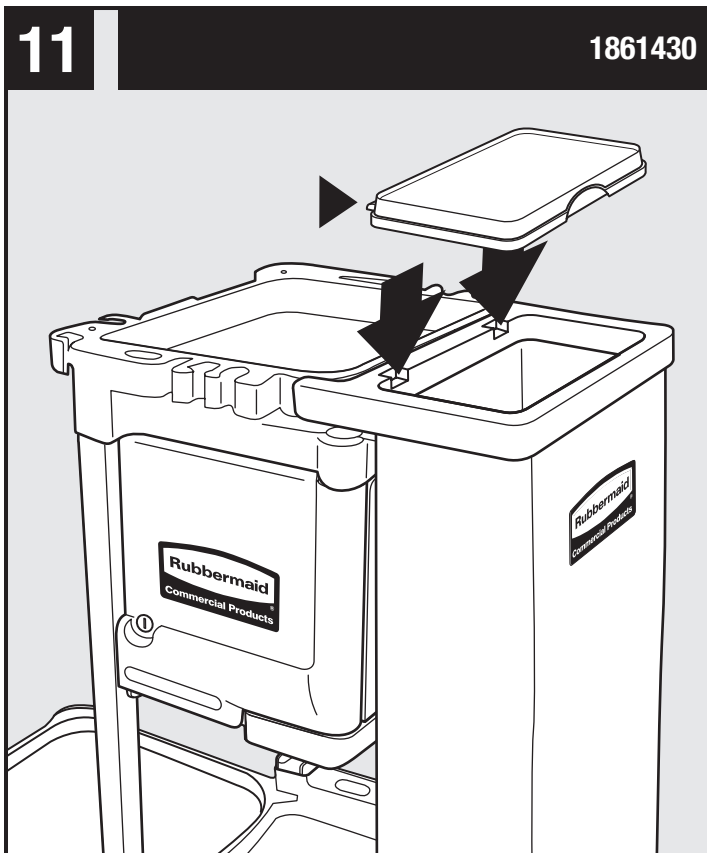
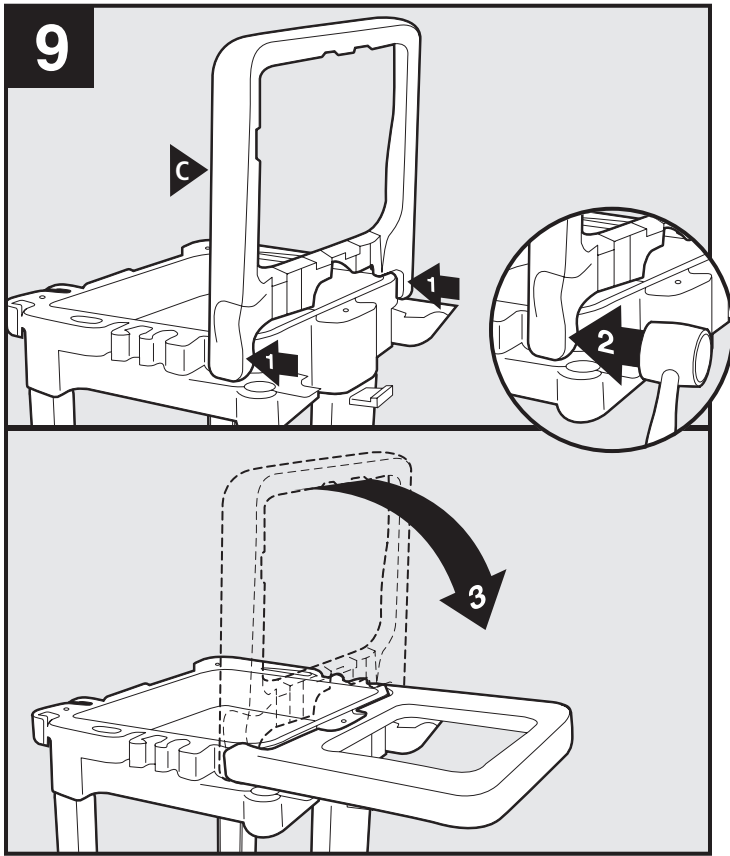
7

1861430



8





Products manufactured under quality management system registered to ISO 9001:2008  
 ©2013 Rubbermaid Commercial Products LLC  
 Product # FG617388, 1861430



Rubbermaid Commercial Products LLC  
 3124 Valley Avenue  
 Winchester, VA 22601 U.S.A.  
 Phone: 1-800-347-9800  
[www.rubbermaidcommercial.com](http://www.rubbermaidcommercial.com)  
 1877583