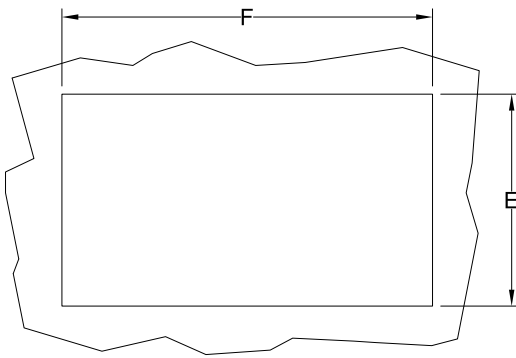


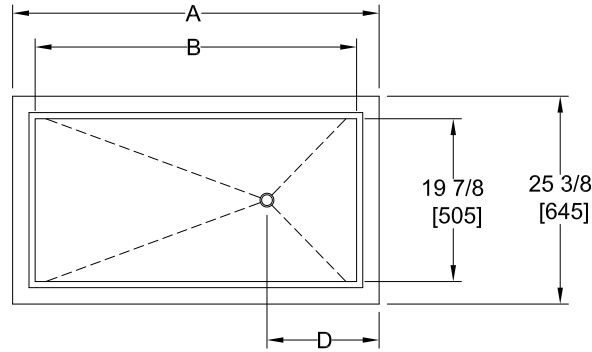
INSTALLATION INSTRUCTIONS

REFRIGERATED COLD PAN
SLOPE TOP MODELS
RCP100ST
RCP200ST
RCP300ST
RCP400ST
RCP500ST
RCP600ST

CUTOUT DETAILS

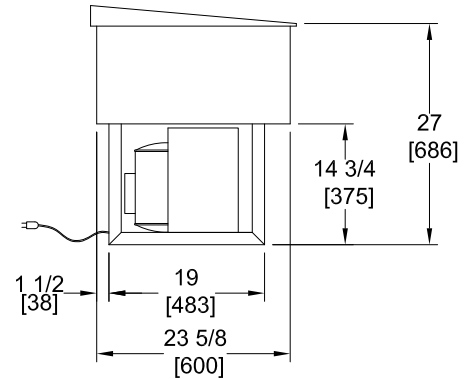
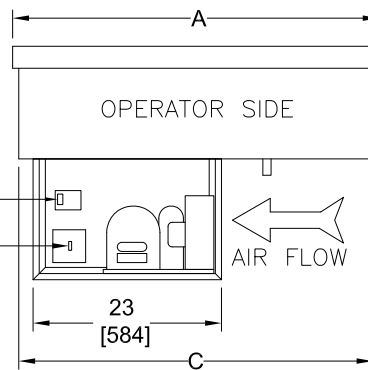


PRODUCT DIMENSIONS INCHES [MM]



NOTE:
THERE ARE NO CLEARANCE SPECIFICATIONS
FOR THIS UNIT.

ADJUSTABLE TEMPERATURE CONTROL
POWER SWITCH

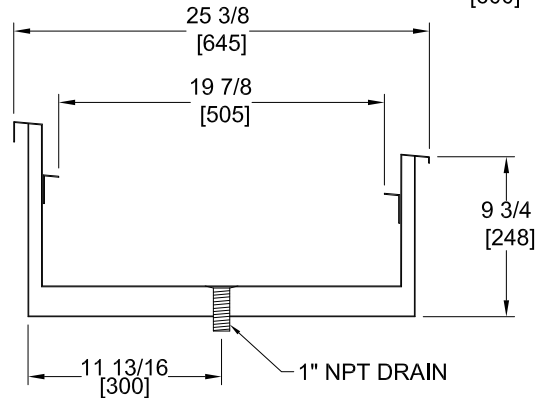


INSTALLER MUST MEET CONDITIONS OF ACCEPTABILITY
OUTLINED BELOW UPON INSTALLATION:

1. This unit may be installed in stainless steel, wood, Formica, or Corian tables and countertops.
2. This unit is shipped completely assembled and requires only a 15 amp dedicated grounded outlet (NEMA 5-15R) and drain connection. Power cord & power switch should be accessible from the front of the unit.
3. When installing the unit, it is essential to provide side openings twice the surface area of the condenser for adequate air circulation. Louvered grills with proper size may be placed in each opening.

TO INSTALL:

1. Lay out "cutout" dimensions on countertop or table.
2. Cut out hole and add stiffeners to support weight of unit if necessary. Countertop must be flat and level before installing cold pan.
3. Apply a generous bead of silicone sealant to underside of mounting flange before setting unit into cutout. Remove any excess sealant from top flange and countertop.
4. Connect 1 inch drain to drain pan or floor drain. Consult local codes for approved drain connections.



CROSS-SECTION OF COLD PAN

MODEL NUMBER	OVERALL DIMENSIONS				CUT-OUT DIMENSIONS		ELECTRICAL AND REFRIGERATION SPECIFICATIONS									
	DIM. A	DIM. B	DIM. C	DIM. D	DIM. E	DIM. F	VOLTS	HP	AMPS SINGLE PHASE			REFRIGERANT		DESIGN PRESSURE		POWER SUPPLY CORD
									LRA	MFS	L1-N	TYPE	QTY	HIGH	LOW	
RCP100ST	17 3/8 [441]	11 7/8 [302]	23 5/8 [600]	5 [127]	23 7/8 [606]	11 7/8 [302]	115	1/4	38	15	5.5	R134A	28 OZ	440	162	NEMA 5-15P
RCP200ST	31 [787]	25 1/2 [648]	29 1/4 [743]	5 [127]	23 7/8 [606]	29 1/2 [749]	115	1/4	38	15	5.5	R134A	28 OZ	440	162	NEMA 5-15P
RCP300ST	44 3/4 [1137]	39 1/4 [997]	43 [1092]	5 [127]	23 7/8 [606]	43 1/4 [1099]	115	1/4	38	15	5.5	R134A	28 OZ	440	162	NEMA 5-15P
RCP400ST	58 1/2 [1486]	53 [1346]	56 3/4 [1441]	29 1/4 [743]	23 7/8 [606]	57 [1448]	115	1/3	29	15	7.0	R404A	24 OZ	500	174	NEMA 5-15P
RCP500ST	72 1/4 [1835]	66 3/4 [1695]	70 1/2 [1791]	36 1/8 [918]	23 7/8 [606]	70 3/4 [1797]	115	1/2	33	15	7.5	R404A	32 OZ	500	174	NEMA 5-15P
RCP600ST	86 [2184]	80 1/2 [2045]	84 1/4 [2140]	43 [1092]	23 7/8 [606]	84 1/2 [2146]	115	1/2	33	15	7.5	R404A	32 OZ	500	174	NEMA 5-15P



WELLS BLOOMFIELD
10 SUNNEN DRIVE, ST. LOUIS MO 63143