

# *robot* *coupe*®



## **R 2 Dice**



## **R 2 Ultra Dice**

**Robot-coupe USA, Inc.**

P.O. Box 16625, Jackson, MS 39236-6625 - 264 South Perkins St., Ridgeland, MS 39157

e-mail: [info@robotcoupeusa.com](mailto:info@robotcoupeusa.com) - website: [www.robotcoupeusa.com](http://www.robotcoupeusa.com)

Phone : 1-800-824-1646

# SUMMARY

## ■ WARRANTY

## ■ IMPORTANT WARNING

## ■ INTRODUCTION TO YOUR NEW R 2 Dice • R 2 Ultra Dice BOWL CUTTER / VEGETABLE PREPARATION

## ■ SWITCHING ON THE MACHINE

- Advice on electrical connections
- Control panel

## ■ ASSEMBLY

- Bowl attachment
- Vegetable preparation attachment

## ■ OPERATING INSTRUCTIONS

- Bowl attachment
- Vegetable preparation attachment

## ■ CLEANING

- Motor base
- Attachments

## ■ MAINTENANCE

- Motor seal
- Blade
- Blades, plates and grids
- Bowl locking washer

## ■ SAFETY

## ■ TECHNICAL DATA

- Exploded views
- Electrical and wiring diagrams

# ROBOT COUPE U.S.A., INC. LIMITED WARRANTY

**YOUR NEW ROBOT COUPE PRODUCT IS WARRANTED TO THE ORIGINAL PURCHASER FOR A PERIOD OF ONE YEAR FROM THE DATE OF PURCHASE.**

**This LIMITED WARRANTY is against defects in the material and/or workmanship, and includes labor for replacement of defective parts, provided repairs are performed by an authorized service agency (see attached list).**

**The Customer must inform the Service Agency of the possibility of warranty coverage and provide a copy of the dated sales or delivery receipt BEFORE WARRANTY REPAIRS ARE BEGUN.**

**Replacement parts and accessories are warranted for ninety (90) days from the date of purchase when purchased separately and will be verified by dated sales receipt OR packing slip which lists that item.**

**All parts or accessories replaced under warranty must be returned to the Service Agency.**

## **THE FOLLOWING ARE NOT COVERED BY THE ROBOT COUPE U.S.A. INC. LIMITED WARRANTY:**

- 1** - Damage caused by abuse, misuse, dropping, or other similar damage caused by or resulting from failure to follow assembly, operating, cleaning, user maintenance or storage instructions.
- 2** - Labor to sharpen and/or replacements for blades that have become blunt, chipped or worn after a normal or excessive period of use.
- 3** - Materials or labor to replace or repair scratched, stained, chipped, pitted, dented or discolored surfaces, blades, knives, attachments or accessories.
- 4** - Any alteration, addition, or repair that has not been carried out by the company or an approved service agency.
- 5** - Transportation of the appliance to or from an approved service agency.
- 6** - Labor charges to install or test new attachments or accessories (i.e., bowls, plates, blades, attachments), which have been replaced for any reason.

**7** - The cost of changing direction-of-rotation of three-phase electric motors (Installer is responsible).

**8** - SHIPPING DAMAGES. Visible and/or hidden damage is the responsibility of the freight carrier. The consignee must inform the carrier and consignor immediately, or upon discovery in the case of hidden defects.

**KEEP ALL ORIGINAL CONTAINERS AND PACKING MATERIALS FOR CARRIER INSPECTION.**

Neither ROBOT COUPE U.S.A., INC. nor its affiliated companies or any of its distributors, directors, agents, employees, or insurers will be liable for indirect damage, losses, or expenses linked to the appliance or the inability to use it. **The ROBOT COUPE U.S.A., INC. warranty is given expressly and in lieu of all other warranties, expressed or implied, for merchantability and for fitness toward a particular purpose and constitutes the only warranty made by ROBOT COUPE U.S.A., INC.**

# IMPORTANT WARNING



**WARNING:** In order to limit accidents such as electric shocks, personal injury or fire, and in order to limit material damage due to misuse of the appliance, please read these instructions carefully and follow them strictly. Reading the operating instructions will help you get to know your appliance and enable you to use the equipment correctly. The operation manual should be kept within easy access to all users for reference and should be read completely by all first time users of the machine.

## UNPACKING

- Carefully remove the equipment from the packaging and take out all the boxes or packets containing attachments or specific items.
- **WARNING**-some of the parts are very sharp e. g. blades, plates ... etc.

## INSTALLATION

- We recommend that you install your machine on a stable solid base at a comfortable working height.

## CONNECTION

- Always check that your power supply corresponds to that indicated on the serial number plate and that it is properly sized.

## HANDLING

- Always wear cut-resistant gloves when handling the cutting plates or the cutter blade.

## ASSEMBLY PROCEDURES

- Follow the various assembly procedures carefully (see page 6) and make sure that all the attachments are correctly positioned.

## USE

- Do not open the feed lead / attachment until the motor has come to a complete stop.
- Never tamper with, or defeat the purpose of the locking and safety systems.
- Do not put nonfood objects in the bowl or vegetable prep openings.
- Always use the food pushers to push the product into the vegetable preparation attachment openings.
- Do not leave the machine running unattended.

## CLEANING

- Always unplug your machine before cleaning.
- Always clean the machine and attachments at the end of each use.
- Never place the motor unit in water.

- For parts made of aluminum alloys, use cleaning detergents suitable for aluminum.
- For plastic parts, do not use detergents that are too alkaline (i.e., containing too much caustic soda or ammonia...).

Robot Coupe can in no way be held responsible for the user's failure to follow the basic rules of cleaning and maintenance.

## MAINTENANCE

- Always unplug the appliance before servicing.
- Check the seals regularly and ensure that the safety devices are in good working order.
- It is particularly important to maintain and check the attachments since certain products contain corrosive agents e.g. citric acid.
- **NOTICE:** Never operate the appliance if the power cord or plug has been damaged.
- If the machine fails to operate as described in this manual, or if the machine malfunctions in any way, remove the machine from use and have it serviced. Additionally, discard all food processed at the time of the malfunction.
- Contact your local **ROBOT-COUCPE** Authorized Service Agency if something appears to be wrong.

## INTRODUCTION TO YOUR NEW R 2 Dice • R 2 Ultra Dice

The R 2 Dice / R 2 Ultra Dice is a versatile machine designed to meet your professional needs. It can perform a number of tasks, as well as save much in time and labor.

This food processor consists of a bowl assembly and a vegetable preparation attachment. The 3 quart bowl is used for chopping, grinding, pureeing, blending, mixing, and kneading ingredients used in most recipes.

A wide range of cutting plates are available for use with the vegetable preparation attachment. Cutting plates are available for slicing, waved slicing, grating, pulping, julienne and dicing.

Its numerous functions will open the door to a whole new culinary world.

Thanks to its simple design, all components requiring frequent handling for maintenance or cleaning can be easily assembled or removed.

All users should read this operation manual before operating the machine.

## SWITCHING ON THE MACHINE

### • ADVICE ON ELECTRICAL CONNECTIONS

Before plugging in, check that your power supply corresponds to that indicated on the machine's serial number plate.



## WARNING

This appliance must be plugged into a grounded socket (risk of electrocution).

### • CONTROL PANEL

#### R 2 Dice / R 2 Ultra Dice

Red knob	=	Off switch
Green knob	=	On switch
Black knob	=	Pulse control

## ASSEMBLY

### • BOWL ATTACHMENT

1) With the motor base facing you, place the bowl onto the motor base with the handle toward the front. Turn the bowl just off-center and to the left as you lower it onto the base.



2) Then, turn it back to the right, (counterclockwise) locking it onto the motor base tabs.

3) Place the blade onto the motor shaft. Rotate the blade until it drops into place. The bottom blade should be level with and just off the bottom of the bowl.



4) Note the plastic tab on the bowl lid. Place the lid on the bowl with the tab turned to the front and slightly to the left of the bowl handle; then, turn the lid back to the right until it comes to a stop with the tab over the bowl handle.

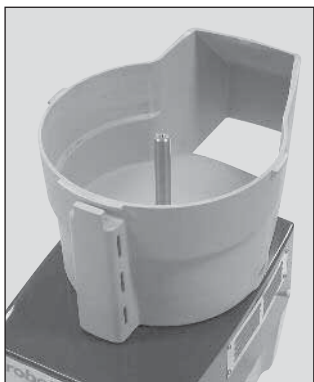
The device is now ready for use.

### • VEGETABLE PREPARATION ATTACHMENT

The vegetable preparation attachment consists of two main detachable parts: the continuous feed attachment and the continuous feed lead.

1) With the motor base facing you, fit the continuous feed attachment onto the motor base; the exit chute should be at the rear of the machine.





2) Turn the attachment to the right until it locks onto the motor base tabs.

3) Place the discharge plate onto the motor shaft. It should fall into place just off the bottom of the continuous feed attachment.



### USING A REGULAR PLATE :



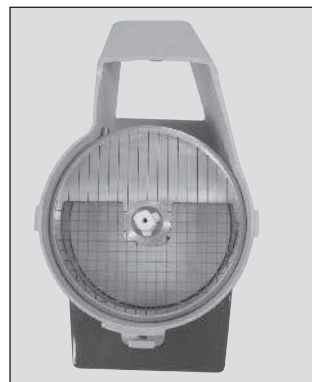
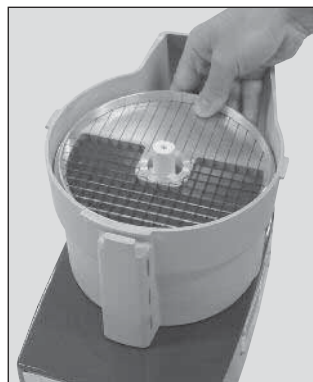
4) Place the cutting plate of your choice onto the discharge plate. It may be necessary to rotate the plate until it drops fully onto the discharge plate.

Follow step 5.

### USING A DICING ASSEMBLY :

4a) If you have chosen to dice, position the dicing grid in the continuous feed attachment.

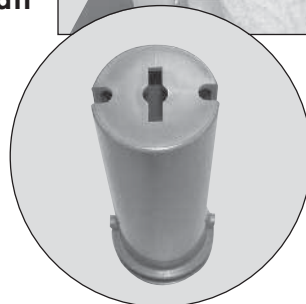
The grid can be positioned in only one way. The blades should be visible through the feed lead opening.



4b) Next place the appropriate dicing plate onto the discharge plate and screw the butterfly nut tight on the motor shaft.

**To dice carrots or hard vegetables, we advise you to use the small cylindrical opening.**

**Use the slot in the bottom of the carrots pusher to unscrew the butterfly screw.**



5) Place the continuous feed lead onto the continuous feed attachment, and rotate it back to the right until it locks onto the bowl tabs.

## OPERATING INSTRUCTIONS

### • THE UNIT SHOULD BE OFF EXCEPT WHEN PROCESSING IS UNDERWAY

It is recommended that the machine be operated on a 50 % duty cycle. This is easily accomplished since the preparation time (cleaning, coring, peeling, and loading) takes longer than the processing time. This will yield the longest life for your machine.

### • BOWL ATTACHMENT

The cutter bowl is used for grinding, kneading, pureeing, blending, mixing, and emulsifying. Before placing the product into the bowl, some products such as meats and cheeses should be pre-cut into 1-2 inch portions. When filling the bowl, allow space above the product for circulation.

There are two ways to run your machine : chopping, using a quick start/stop action with the **Pulse** button or running continuously for a fine chop or puree. To obtain a uniform chop of products such as meats and cheeses, begin with a uniformly portioned product.

**Pulse** the machine until the desired result is reached. Then, if a puree or fine chop is desired, press the **On** button, and allow the machine to run until the product has the right consistency.

USES	Max. processing quantity (in pounds)	Processing time (in mn)
<b>CHOP</b>		
• <b>MEAT</b>		
Hamburgers / steak tartare	2	3
Sausage meat / tomatoes	2	3
Terrine / pâté	2	4
• <b>FISH</b>		
Brandade	2	5
Terrines	2	5
• <b>VEGETABLES</b>		
Garlic / parsley / onion / shallots	3/4	3
Soup / purées	2	4
• <b>FRUIT</b>		
Compotes / purées	2	4
<b>EMULSIFY</b>		
Mayonnaise / aïoli / remoulade sauce	2 1/4	3
Hollandaise / béarnaise	2 1/4	5
Snail or salmon butter	2 1/4	4
<b>KNEAD</b>		
Shortcrust pastry / shortbread	2	4
Flaky pastry	2	4
Pizza dough	2	4

<b>GRIND</b>		
Dried fruit	1	4
Parsley	1	4
Breadcrumbs	1	4

### • VEGETABLE PREPARATION ATTACHMENT

The vegetable preparation attachment is used for slicing, grating, waved slicing, julienne, pulping and dicing.

The vegetable preparation attachment consists of two feed openings :

- **one large feed** opening for cutting vegetables such as cabbage, celeriac, etc.
- **a cylindrical feed** opening inside the large pusher for long or hard vegetables and high-precision cutting.

For optimum cutting, use this section as a guide.

**Do not attempt to run frozen products through the cutting plates.**

**Do not put anything other than food products into the feed openings.**

**Do not remove attachments while the motor is running.**






**Do not apply excess pressure to the food pushers : This can cause damage to the motor and other parts.**

### HOW TO USE THE LARGE FEED OPENING

Fill the hopper with the foodstuff. Apply the pusher on the food with a constant and moderate pressure. Press the **On** button to start the motor. To get the best quality cut, maintain a moderate pressure on the pusher until the full hopper is processed.

### HOW TO USE THE CYLINDRICAL SMALL OPENING

Remove the small pusher from the large pusher. Fill the small opening with the foodstuff and follow the same procedure as above.

<b>SLICERS</b> 			
3/64"	carrot / cabbage / cucumber / onion / potato / leek		
5/64" - 1/8"	lemon / carrot / mushroom / cabbage / potato / cucumber / zucchini / onion / leek / bell pepper		
5/32" - 3/16"	eggplant / beet root / carrot / mushroom / cucumber / bell pepper / radish / lettuce / potato / leek / tomato		
1/4"	eggplant / beet root / carrot / mushroom / cucumber / bell pepper / radish / lettuce / potato / leek		
<b>RIPPLE CUT SLICER</b> 			
5/64"	beet root / potato		
<b>GRATERS</b> 			
1/16"	celeriac / cheese	3/8"	cabbage / cheese
5/64"	carrot / celeriac / cheese	<b>Hard cheese</b>	
1/8"	carrot	1/32"	<b>Extra fine 0.7mm</b>
1/4"	cabbage / cheese	3/64"	<b>Pulping 1 mm</b>
<b>JULIENNE</b> 			
5/64" x 5/64"	carrot / celeriac / potato		
5/64" x 5/32"	carrot / beet root / zucchini / potato		
5/64" x 1/4"	carrot / beet root / zucchini / potato		
5/32" x 5/32"	eggplant / beet root / zucchini / potato		
1/4" x 1/4"	eggplant / beet root / celeriac / zucchini / potato		
5/16" x 5/16"	celeriac / potato		
<b>DICE</b> 			
5/16" x 5/16"	potato / carrot / zucchini / beet root / turnip		
3/8" x 3/8"	potato / carrot / zucchini / beet root / turnip		
7/16" x 7/16"	potato / carrot / zucchini / beet root / turnip		

## CLEANING



## WARNING

**As a precaution, always unplug your appliance before cleaning it (risk of electric shock).**

## • MOTOR BASE

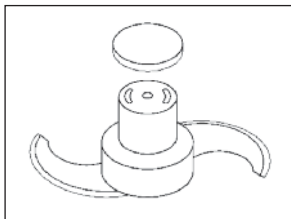
**Never immerse the motor base in water. Clean using a damp cloth or sponge.**

Cleaning of the motor base assembly must be done with care.

**First unplug the unit.** A sponging with a cloth lightly dampened (not dripping) in a mild detergent is acceptable, making sure the water is not permitted to penetrate the shaft seal or around the switches and in the ventilation openings. Clean around the shaft seal with a small brush, taking care to remove all food. Do not forget to clean the motor shaft. Rinse the motor base first using a cloth lightly dampened (not dripping) with water, then with a sanitizing solution. Dry the machine with a soft cloth removing all liquids from seal areas.

## • ATTACHMENTS :

### CLEANING THE BLADE ASSEMBLY



There is a removable cap attached to the top of the S-blade assembly. This cap should be removed before cleaning the blade assembly.

**Caution: The blades are sharp. Wear cut-resistant gloves when handling the blade.**

The blade cap may be removed by carefully pulling the cap up away from the blade. It may be helpful to pull slightly to the side. The cap is held in place by small plastic clips that snap into the body of the blade assembly. If the cap is difficult to remove, you can use a small diameter rod or screwdriver inserted through the bottom side of the blade assembly to knock out the cap using a quick sharp impact. Again, use caution when handling the blade.

## Autoclave:

The blade assembly will withstand cleaning in an autoclave system with temperatures less than 210 degrees C. However, it will reduce the life of the blade as compared to the following cleaning instructions.

Remove all attachments before cleaning. The bowl and continuous feed assemblies should be cleaned per the following instructions or as required by local health department regulations.

The bowl, blade, lid, continuous feed bowl, continuous feed lead, pushers, and plates are dishwasher safe. All of the attachments listed above can be washed in a dish machine or three-tank system pot sink. Pre-rinse the attachments before washing to remove any bulk food on the parts. A stiff bristle brush or power sprayer faucet attachment is effective in knocking the food out of the crevices as a pre-rinse procedure. The washer should have an industry standard wash, rinse, and sanitization cycle. Allow the parts to air dry after sanitizing and before reassembly.

**NOTE : The high temperatures of dish machines will tend to shorten the life of the plastic and rubber parts. Hand washing using a three-pot sink will provide for the longest life of these parts.**

**Wear cut-resistant gloves when cleaning the blade and plates.**

Inspect the area on the outside of the bowl around the handle and the outside of the continuous feed bowl around the interlock pin to ensure they are clean. Use a brush on these areas if necessary.



## IMPORTANT

**Check that your detergent is suitable for cleaning plastic parts. Some washing agents are too alkaline (e.g. high levels of caustic soda or ammonia) and totally incompatible with certain types of plastic, causing them to deteriorate rapidly.**

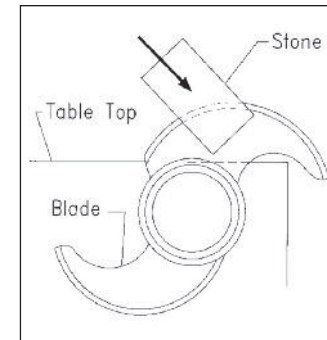
## • MOTOR SEAL

An examination should be made periodically to ensure that a seal against liquids is being maintained around the motor shaft. The seal can and should be replaced whenever wear or erosion is noted or minimally once every three to six months. It is recommended that the seal be replaced by an authorized repair agency.

## • BLADE

Blades should be kept sharp. It is not necessary to have a razor edge. However, they will need sharpening periodically. Replacement of the dull blades or plates is recommended.

### SHARPENING THE BLADE



The blade will require sharpening on a periodic basis depending on use. The use of a dull blade will sometimes give unsatisfactory results. Follow the directions shown to sharpen the blade, or have the blades sharpened professionally if you prefer.

- Put on your cut-resistant gloves

- Use a Robot Coupe stone or any good sharpening stone.

- Hold or clamp the blade flat on the edge or corner of a sturdy table.

- With the other hand, hold the stone at a 30 degree angle against the top bevel of one blade.

- Pull the stone into the blade edge moving from hub to tip, several strokes, until the blade is sharp.

- Pull the stone into the blade edge moving from hub to tip, several strokes, until the blade is sharp.



- Turn the blade over, and rub the stone flat against the underside of the blade to remove the feather edge formed at step 5.
- Repeat the procedure for the other blade.
- Wash the blade before use.

#### • **BLADES, PLATES AND GRIDS**

The blades on the slicing and julienne plates and the grids on the grating plates are all subject to wear and should be changed as required to ensure high quality cutting.

#### • **BOWL LOCKING WASHER**

The bowl locking washer is located below the bowl and holds the bowl in place. If it becomes worn, it needs to be replaced.

## SAFETY

**The R 2 Dice/R 2 Ultra Dice are fitted with an interlock system.**

When you open the bowl lid, the motor stops.

When you open the continuous feed lead, the motor stops.



## WARNING

**The blades and cutting plates are extremely sharp. Handle with care.**

To avoid splashing when running liquids in the bowl, allow the blades to come to a complete stop before opening the lid.

**NOTE :** The machines are equipped with a **thermal protector** which automatically stops the motor if the machine is overloaded. If this happens, press the **Off** button and allow the machine to cool completely before restarting.



## REMEMBER

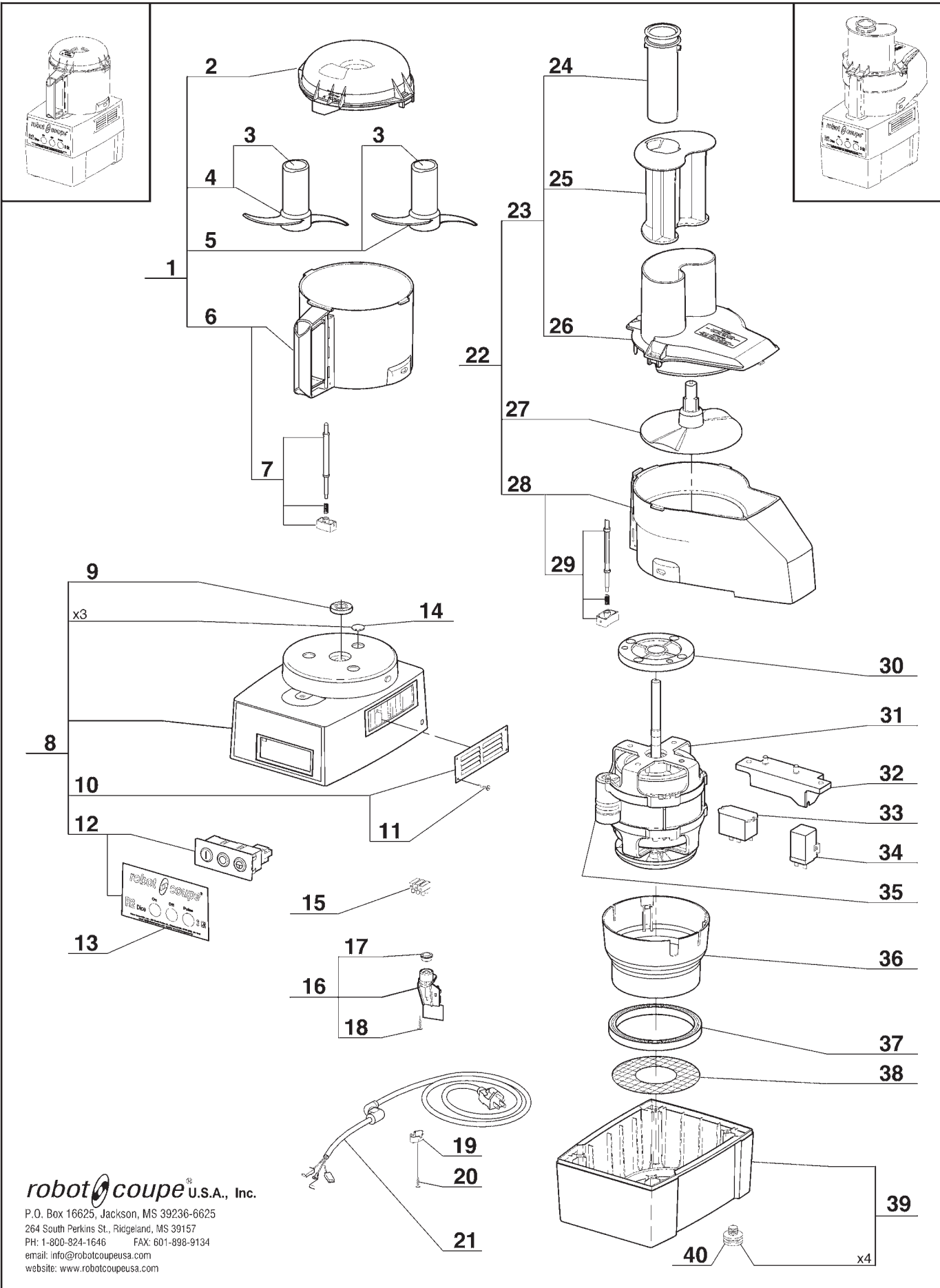
**Never try to override or defeat the purpose of, the locking and safety systems.**

**Never put nonfood objects into the machine openings.**

**Only use the food pushers to force the food into the machine.**

**Do not overload the appliance.**

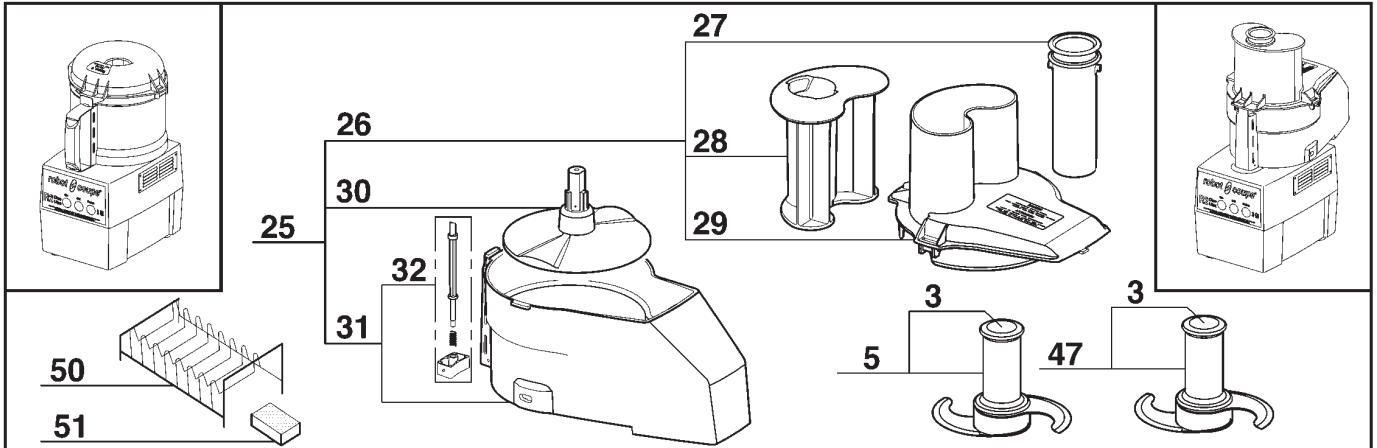
**Never leave the machine running unattended.**



**robotcoupe®** U.S.A., Inc.

P.O. Box 16625, Jackson, MS 39236-6625  
 264 South Perkins St., Ridgeland, MS 39157  
 PH: 1-800-824-1646 FAX: 601-898-9134  
 email: info@robotcoupeusa.com  
 website: www.robotcoupeusa.com

<i>Index</i>	<i>Pièce / Part</i>	<i>Description</i>	<i>Désignation</i>
1	<b>27 260</b>	CUTTER ASSEMBLY	
2	<b>105 236</b>	CUTTER LID	
3	<b>104 147</b>	BLADE CAP	
4	<b>27 262</b>	FINE SERRATED BLADE	
5	<b>27 263</b>	SMOOTH BLADE	
6	<b>112 204</b>	BOWL	
7	<b>39 103</b>	COMPLETE SAFETY ROD	
8	<b>39 208</b>	MOTOR SUPPORT ASSEMBLY	
9	<b>501 010</b>	MOTOR SEAL	
10	<b>101 098</b>	AIR VENT	
11	<b>200 015</b>	RIVET	
12	<b>39 209</b>	COMPLETE ON / OFF SWITCH ASSEMBLY	
13	<b>407 902</b>	FRONT PLATE	
14	<b>101 103</b>	BOLT COVER	
15	<b>500 694</b>	TERMINAL BLOCK	
16	<b>39 217</b>	MICROSWITCH ASSEMBLY	
17	<b>500 527</b>	SEAL RING	
18	<b>200 004</b>	SCREW 3,5 x15,9	
19	<b>101 106</b>	POWER CORD CLIP	
20	<b>203 056</b>	SCREW 3,9 x19	
21	<b>507 328</b>	POWER CORD	
22	<b>27 259</b>	VEGETABLE SLICER ASSEMBLY	
23	<b>39 216</b>	ASSEMBLY LID + PUSHERS ASSEMBLY	
24	<b>101 865</b>	ROUND PUSHER	
25	<b>101 863</b>	VEGETABLE PUSHER	
26	<b>101 861</b>	VEGETABLE SLICER LID	
27	<b>101 866</b>	SLINGER PLATE	
28	<b>101 886</b>	VEGETABLE SLICER BOWL	
29	<b>39 214</b>	COMPLETE SAFETY ROD	
30	<b>101 882</b>	ADAPTATION SPACER	
31	<b>303 160</b>	MOTOR	
32	<b>39 213</b>	RELAY SUPPORT	
33	<b>501 682</b>	MAIN RELAY	
34	<b>501 683</b>	STARTING RELAY	
35	<b>39 212</b>	CAPACITOR ASSEMBLY	
36	<b>101 884</b>	VENTILATION BAFFLE	
37	<b>101 099</b>	ABSORBER	
38	<b>101 881</b>	VENTILATION SCREEN	
39	<b>104 124</b>	BASE	
40	<b>101 082</b>	FOOT	

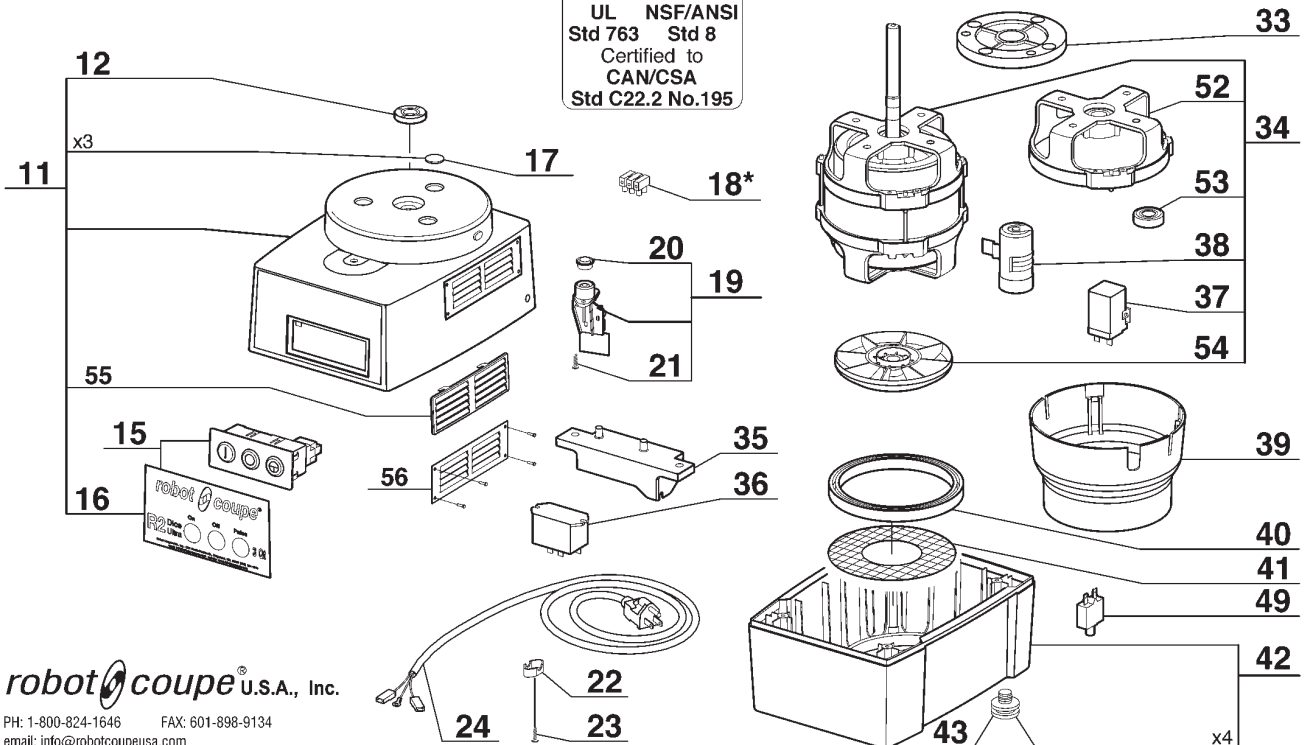
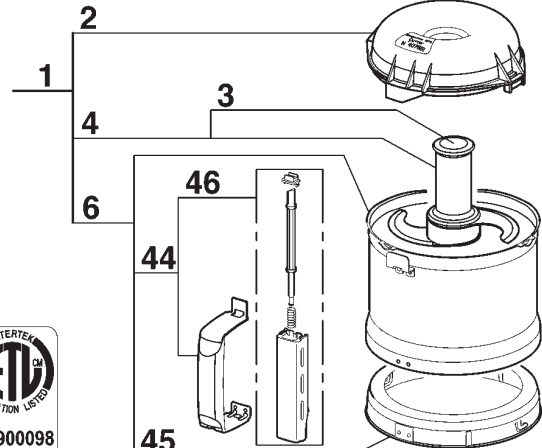
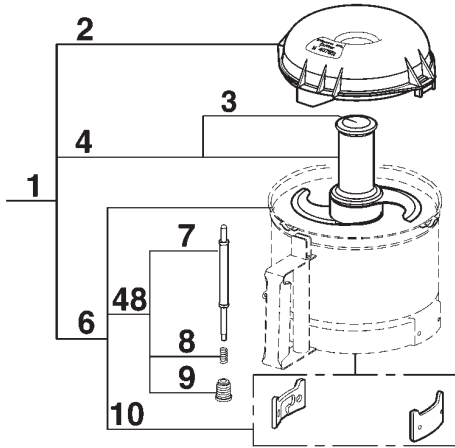


**WARNING :**

Choose the spare parts in accordance with the bowl type.  
As the complete bowl or the cutter attachment are fully interchangeable, for all types choose respectively item 6 or 1.

**Type 1 3QT**  
Serial Number 257xxxxx03

**Type 2 3QT**  
Serial Number 501xxxxx03



<i>Index</i>	<i>Pièce / Part</i>	<i>Description</i>
1	27 261	CUTTER ATTACHMENT
2	105 236	CUTTER LID
3	104 147	BLADE CAP
4	27 263	SMOOTH BLADE
5	27 262	FINE SERRATED BLADE
6	39 795	CUTTER BOWL ASSEMBLY
7	112 221	PLASTIC SAFETY ROD FOR BOWL TYPE 1
8	100 964	SPRING
9	104 127	PLASTIC RING FOR BOWL TYPE 1
10	29 184	LOCKING PLATE ASSEMBLY
11	39 210	MOTOR SUPPORT ASSEMBLY
12	501 010	SHAFT SEAL
15	39 211	CONTROL PANEL ASSEMBLY
16	407 903	FRONT PLATE
17	101 103	BOLT COVER
18	500 694*	TERMINAL BLOCK
19	39 217	MICROSWITCH ASSEMBLY
20	500 527	SEAL RING
21	200 003	SCREW 3,5 x12,7
22	101 106	POWER CORD CLIP
23	203 056	SCREW 3,9 x19
24	504 299	POWER CORD
25	27 259	VEGETABLE SLICER ATTACHMENT
26	39 216	VEGETABLE SLICER FEED LEAD ASSEMBLY
27	101 865	ROUND PUSHER
28	101 863	VEGETABLE PUSHER
29	101 861	VEGETABLE SLICER FEED LEAD
30	101 866	SLINGER PLATE
31	101 886	VEGETABLE SLICER BOWL ASSEMBLY
32	39 214	VEGETABLE SLICER SAFETY ROD ASSEMBLY
33	101 882	ADAPTATION SPACER
34	303 160	MOTOR
35	39 213	RELAY SUPPORT
36	501 682	MAIN RELAY
37	501 683	MOTOR STARTING RELAY
38	39 212	STARTING CAPACITOR
39	101 884	VENTILATION BAFFLE
40	101 099	ABSORBER
41	101 881	VENTILATION SCREEN
42	39 865	BASE ASSEMBLY
43	39 928	FOOT ASSEMBLY (x4)
44	39 763	BOWL HANDLE ASSEMBLY
45	39 753	LOCKING WASHER ASSEMBLY
46	39 762	SAFETY ROD ASSEMBLY FOR TYPE 2
47	27 289	SERRATED BLADE
48	39 220	SAFETY ROD ASSEMBLY FOR BOWL TYPE 1
49	118 442	CIRCUIT-BREAKER 15 A.
50	R255	PLATE RACK
51	502 579	HONING STONE
52	39 931	UPPER BALL-BEARING WITH BRACKET
53	39 932	LOWER BALL-BEARING
54	39 286	MOTOR FAN
55	104 122	VENT COVER
56	101 098	VENT COVER + RIVETS

**\* NOT USE ON MACHINES WITH CIRCUIT-BREAKER.**

# R2 Dice - R2 Ultra Dice

120V/60Hz 13 A Single phase

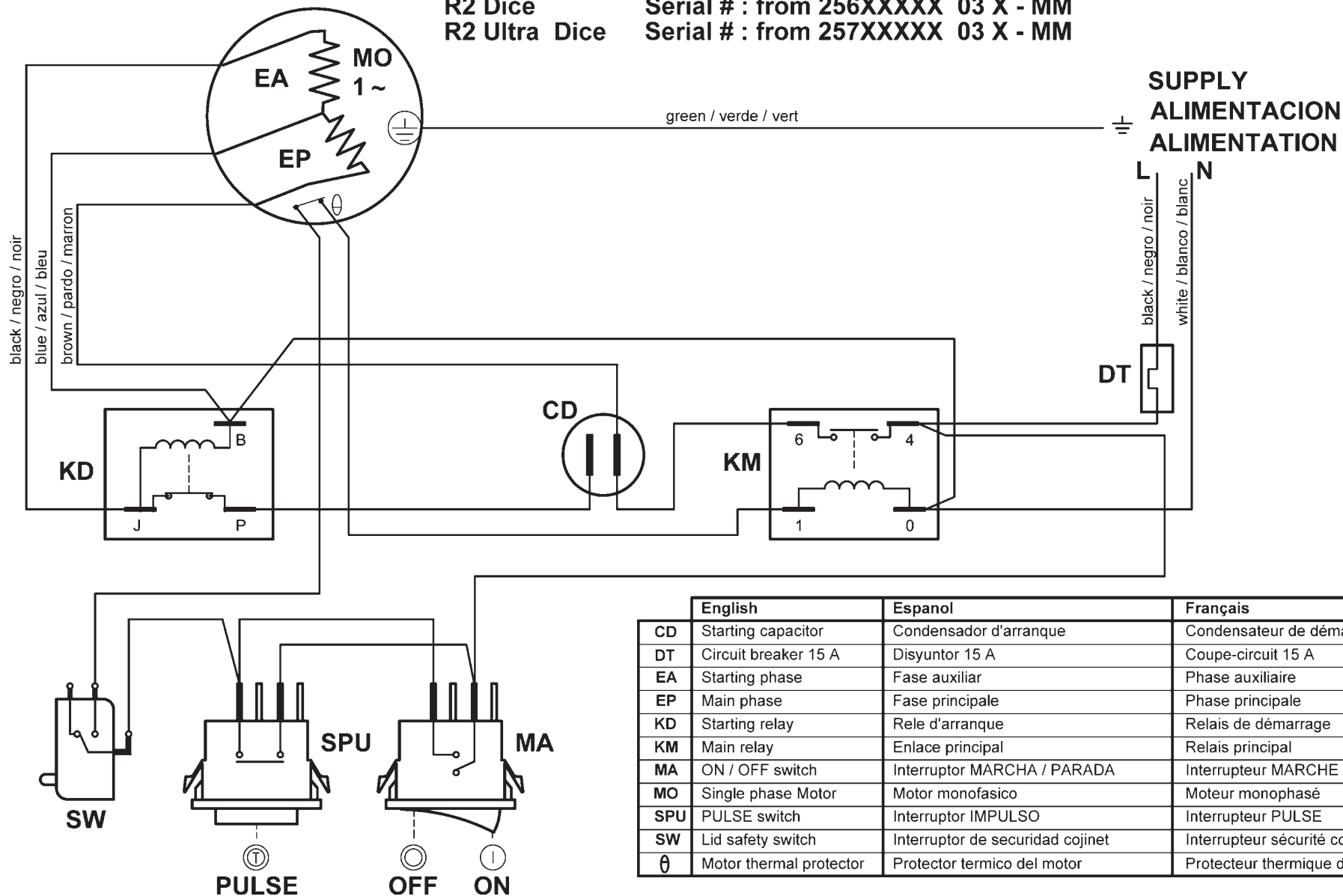
ELECTRIC DIAGRAM

ESQUEMA CONEXIONES

SCHEMA ELECTRIQUE

R2 Dice  
R2 Ultra Dice

Serial # : from 256XXXXX 03 X - MM  
Serial # : from 257XXXXX 03 X - MM





***robot coupe***<sup>®</sup>

**Robot-coupe USA. Inc.**

P.O. Box 16625, Jackson, MS 39236-6625

264 South Perkins St., Ridgeland, MS 39157

e-mail: [info@robotcoupeusa.com](mailto:info@robotcoupeusa.com)

website: [www.robotcoupeusa.com](http://www.robotcoupeusa.com)

Phone : 1-800-824-1646