

**INSTRUCTIONS FOR USE  
MODE D'EMPLOI  
INSTRUCCIONES DE USO**



# qwikSIGHT™ BASKET SUPPLY SYSTEM



**DESCRIPTION / DESCRIPTION / DESCRIPCIÓN**

Metro qwikSIGHT™ – Part Descriptions, Weight Capacities, Caster Maintenance, Single Starter Configuration, Preparing Basket Assembly, Installation of Basket Assembly on Frame, Installation of Slanted Basket Assembly from Horizontal Position, Double Starter Configuration, Add-on Configuration and Accessories.

Part No.	Description	Part No.	Description
QB74L	74" Height L-Frame, Single Side	QB03D	3" Long Divider (hook)
QB74T	74" Height T-Frame, Double Side	QB06D	6" Long Divider (hook)
QB18F	18" Long Frame Bar with Hardware	QB18D	18" Long Divider (snap)
QB36F	36" Long Frame Bar with Hardware	QB36LHC	36" Long Label Holder, Clear
QB48F	48" Long Frame Bar with Hardware	QB03LHBL	3" Long Label Holder, Blue
QB1818C	18" Bottom Cover	QB03LHCL	3" Long Label Holder, Clear
QB1836C	36" Bottom Cover	QB03LHGR	3" Long Label Holder, Green
QB1848C	48" Bottom Cover	QB03LHOR	3" Long Label Holder, Orange
QB4B	4" Diameter Brake Caster	QB03LHPK	3" Long Label Holder, Pink
C05-1198	Metro qwikSIGHT Branding Label	QB03LHRD	3" Long Label Holder, Red
QB1236B	12" Depth x 36" Long Basket with Brackets	QB03LHYL	3" Long Label Holder, Yellow
QB1836B	18" Depth x 36" Long Basket with Brackets		

**CAUTION: WEIGHT CAPACITY**

Maximum capacities are based on evenly distributed load.  
Shelf can hold up to 100 lbs. (45kg) evenly distributed.  
**NEVER** exceed 500 lbs. (227kg) of evenly distributed load on any stationary unit.  
**NEVER** exceed 375 lbs. (170kg) of evenly distributed load on any mobile unit.

**MAINTENANCE**

Regularly inspect this product. Tighten loose fasteners and replace worn or damaged parts with new InterMetro approved parts. For mobile units, regularly inspect casters and replace worn or damaged casters immediately; lubricate casters regularly (if equipped with grease fittings).

**MISE EN GARDE : CAPACITÉ DE POIDS**

**MAINTENANCE**

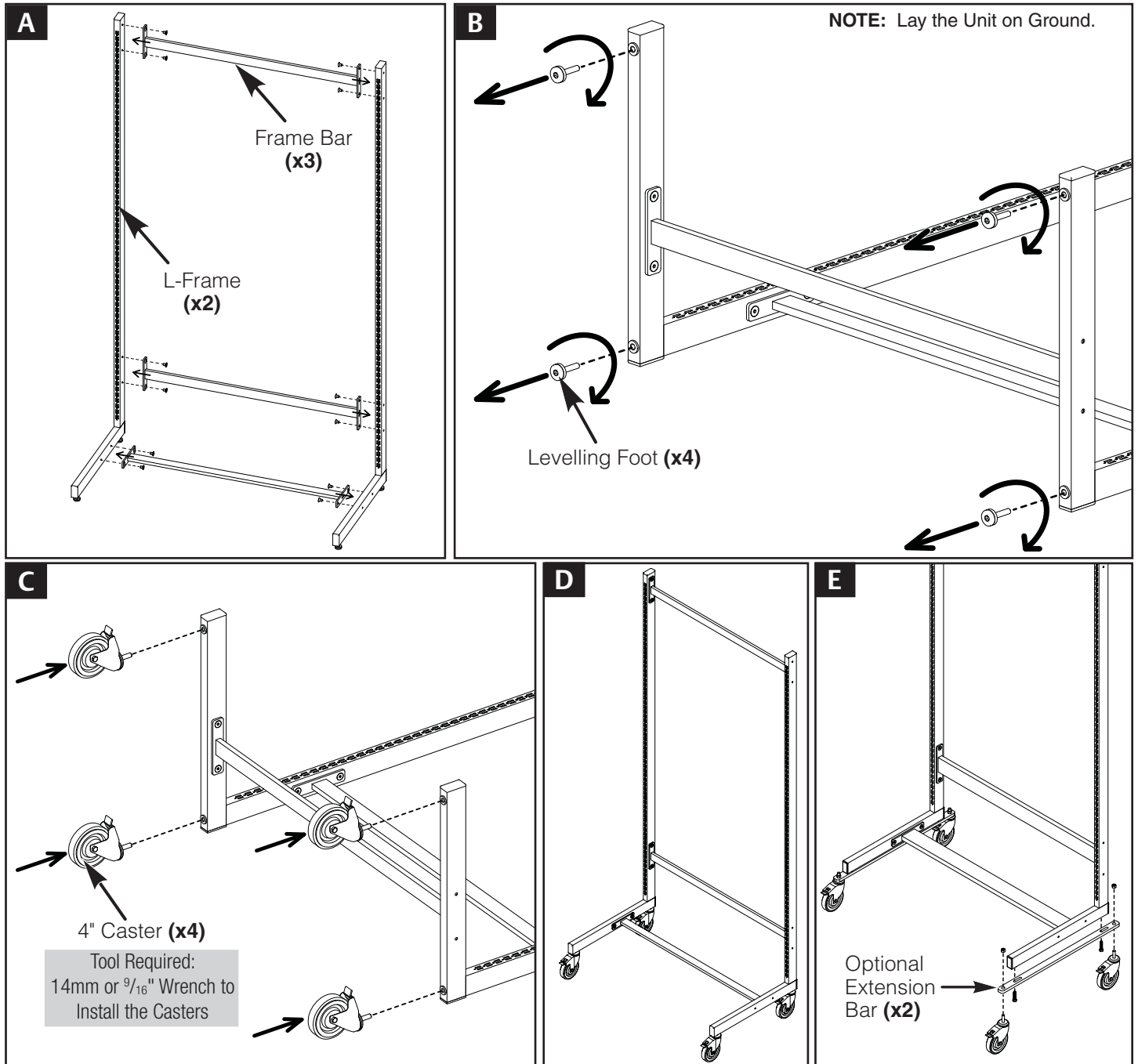
Inspecter régulièrement ce produit. Resserrer les attaches mal fixées et remplacer les pièces usées ou endommagées par des pièces neuves approuvées par InterMetro. Inspecter régulièrement les roulettes des unités mobiles et remplacer immédiatement les roulettes usées ou endommagées; lubrifier régulièrement les roulettes (si elles sont équipées de graisseurs).

**MISE EN GARDE : CAPACITÉ DE POIDS**

**MAINTENANCE**

Inspeccione regularmente este producto. Apriete los afianzadores flojos y cambie las piezas desgastadas o dañadas por piezas InterMetro homologadas. En el caso de las unidades móviles, inspeccione las ruedas con regularidad y reemplace las ruedas desgastadas o dañadas inmediatamente; lubrique las ruedas con regularidad (si llevan engrasadores).

**SINGLE STARTER CONFIGURATION - STATIONARY TO MOBILE FRAME**



**PREPARING BASKET ASSEMBLY (12" and 18" Depth)**

**Horizontal Basket - Position 1**  
**NOTE:** Adjust square bracket to properly seat its four flanges on wires.

**RIGHT SIDE VIEW**  
**LEFT SIDE VIEW**

*Top screw mounting location on basket:*  
 2nd grid from rear and 3rd grid from top.

*Bottom screw mounting location on basket (Same for Positions 2 and 3):*  
 2nd grid from rear and 2nd grid from bottom.

Labels in diagram: Left Hanging Plate, Wire Basket, Right Hanging Plate, Lock Nut (x4), Square Bracket (x4), Hole Position 1 on Both Ends, Location on Basket to Mount Right and Left Hanging Plates.

**Slanted Basket - Position 2**  
*Top screw mounting location on basket:*  
 2nd grid from rear and 3rd grid from top.

**RIGHT SIDE VIEW**  
**LEFT SIDE VIEW**

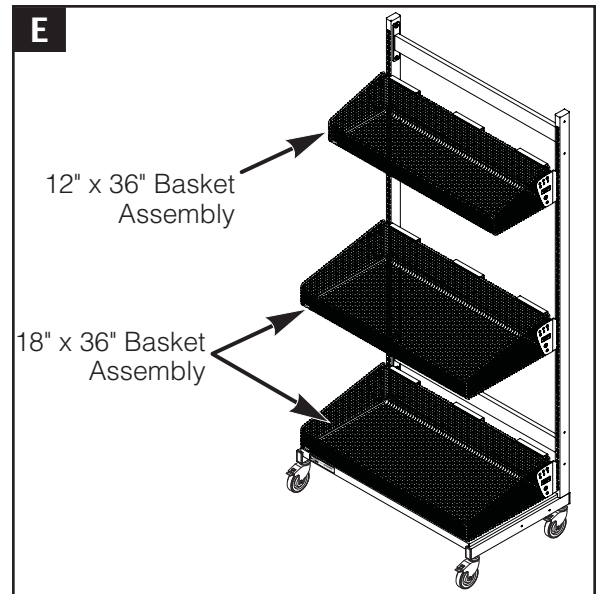
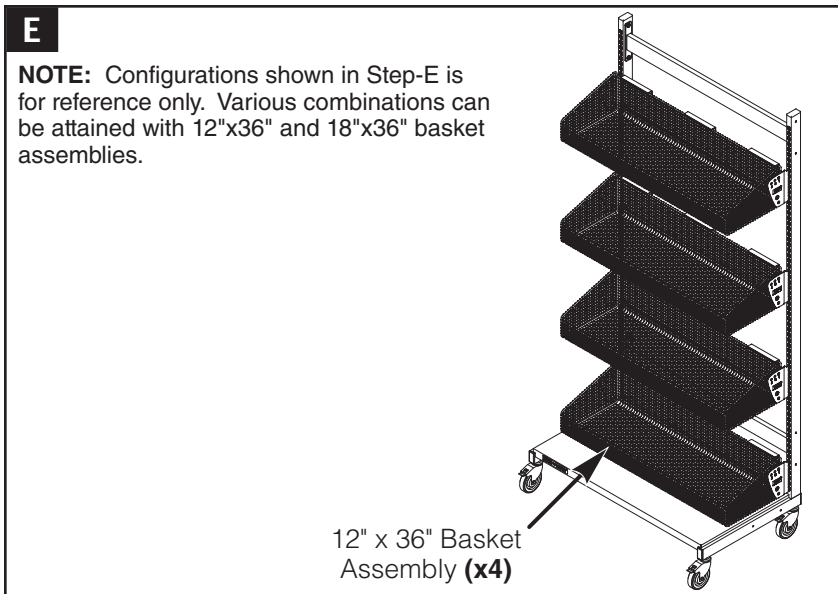
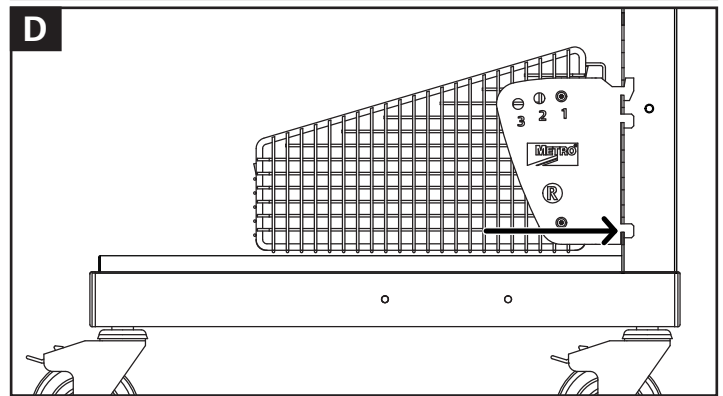
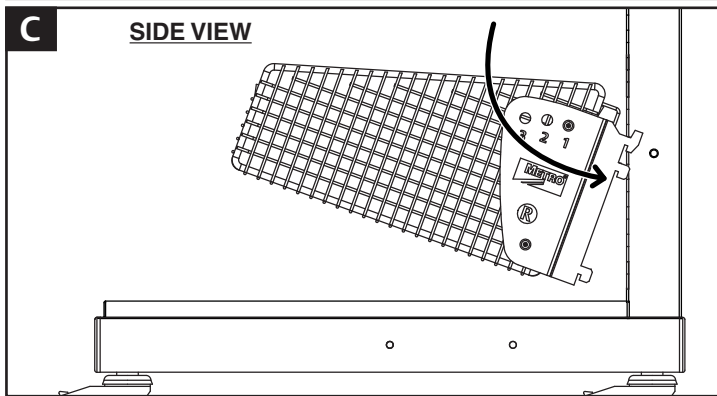
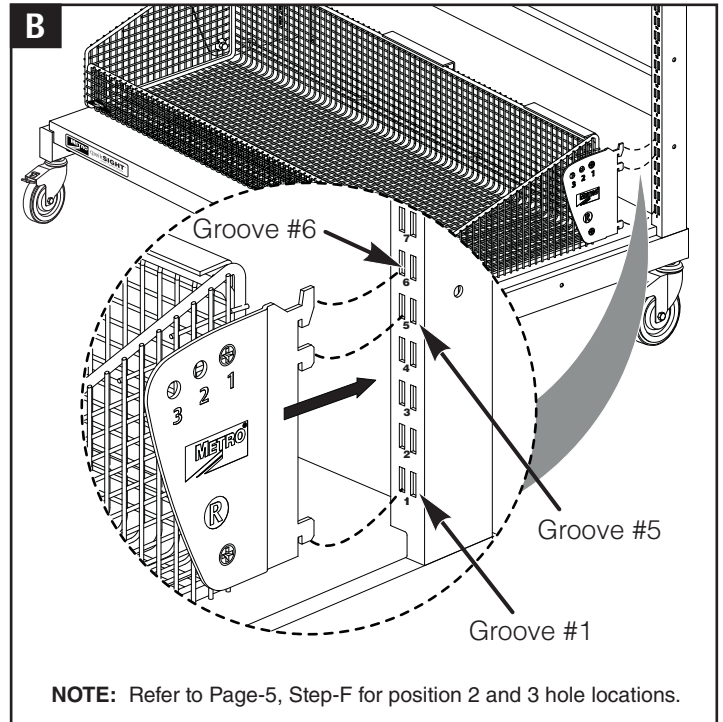
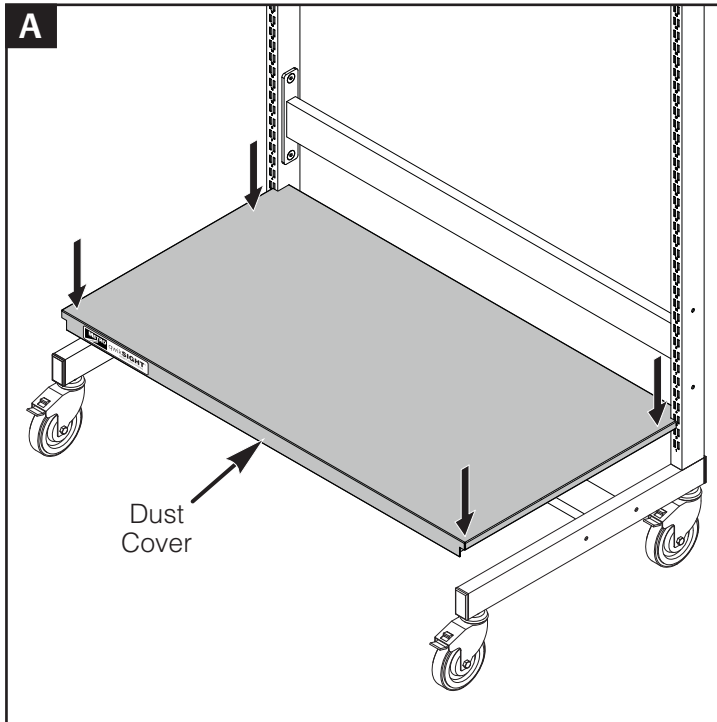
Labels in diagram: Location on Basket to Mount Right and Left Hanging Plates.

**Slanted Basket - Position 3**  
*Top screw mounting location on basket:*  
 3rd grid from rear and 3rd grid from top.

**RIGHT SIDE VIEW**  
**LEFT SIDE VIEW**

Labels in diagram: Location on Basket to Mount Right and Left Hanging Plates.

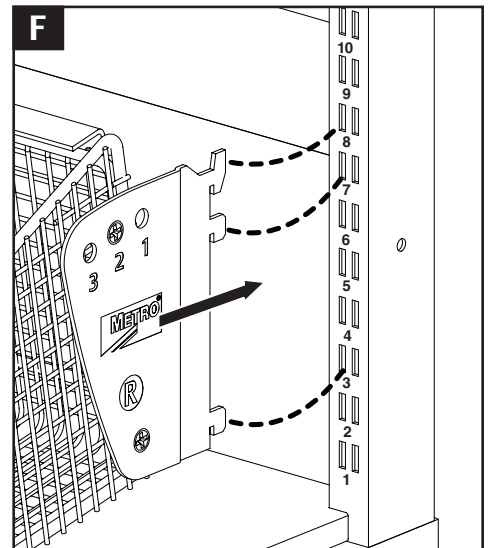
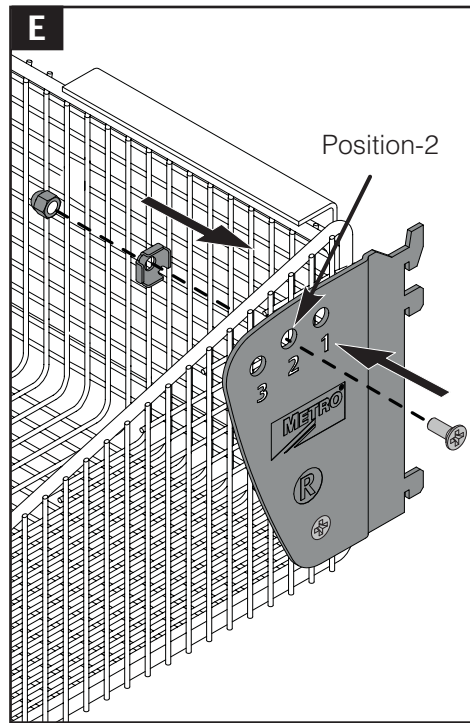
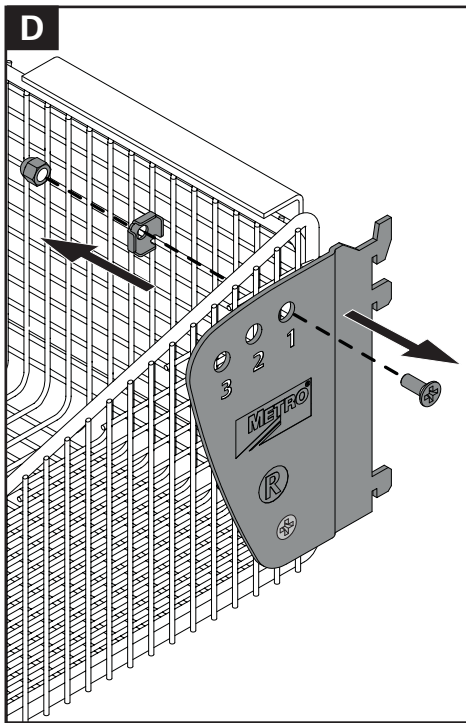
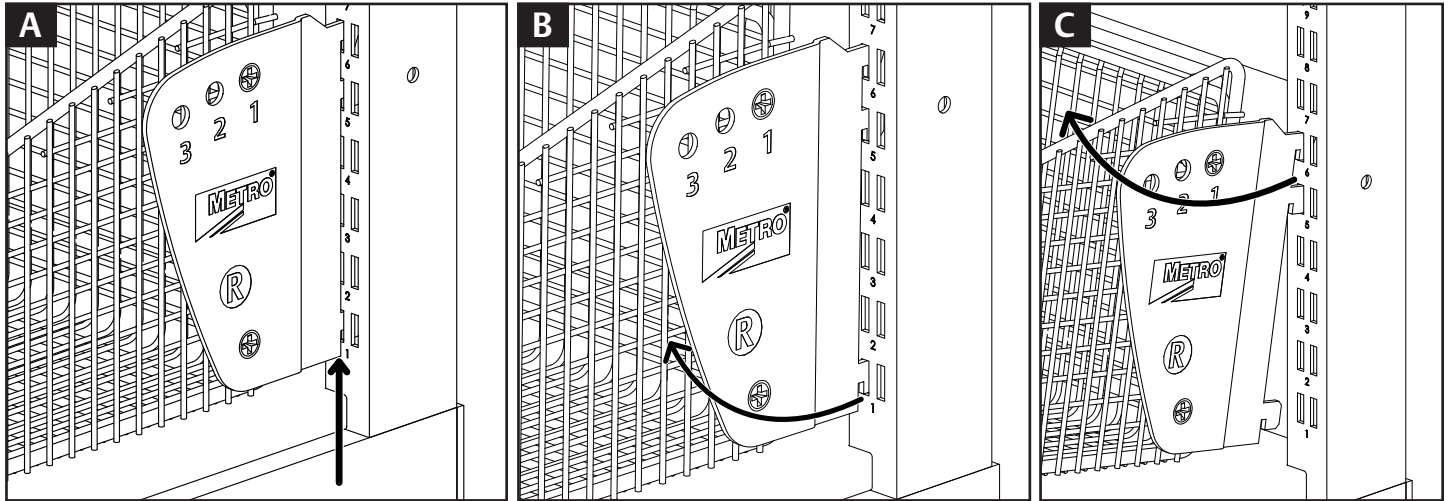
INSTALLATION OF BASKET ASSEMBLY ON FRAME



**INSTALLATION OF SLANTED BASKET ASSEMBLY FROM HORIZONTAL POSITION**

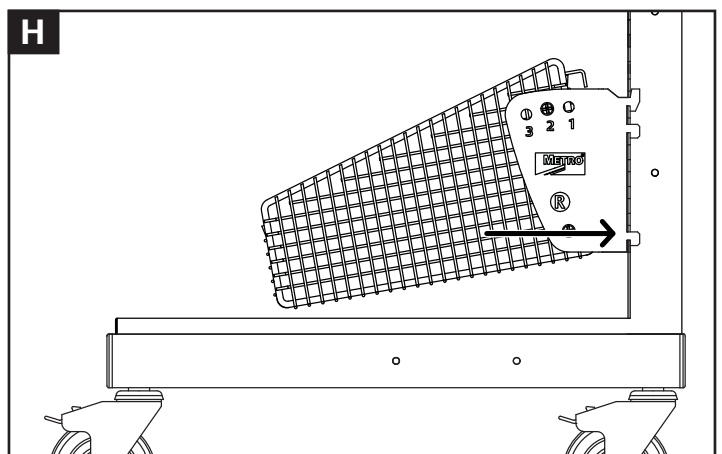
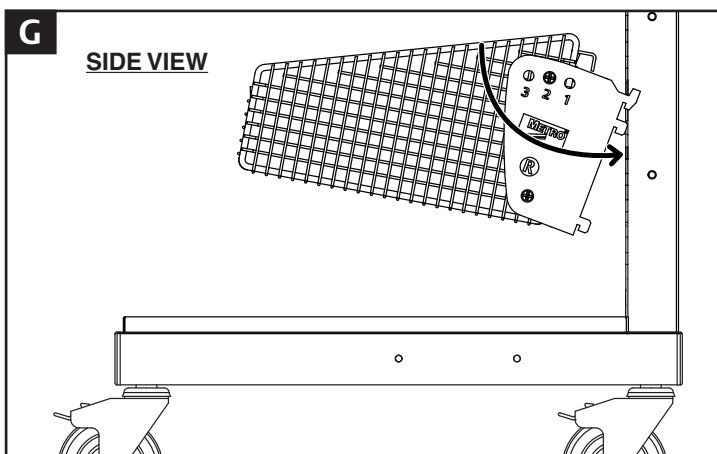
**CAUTION:**

Empty basket before changing the position.

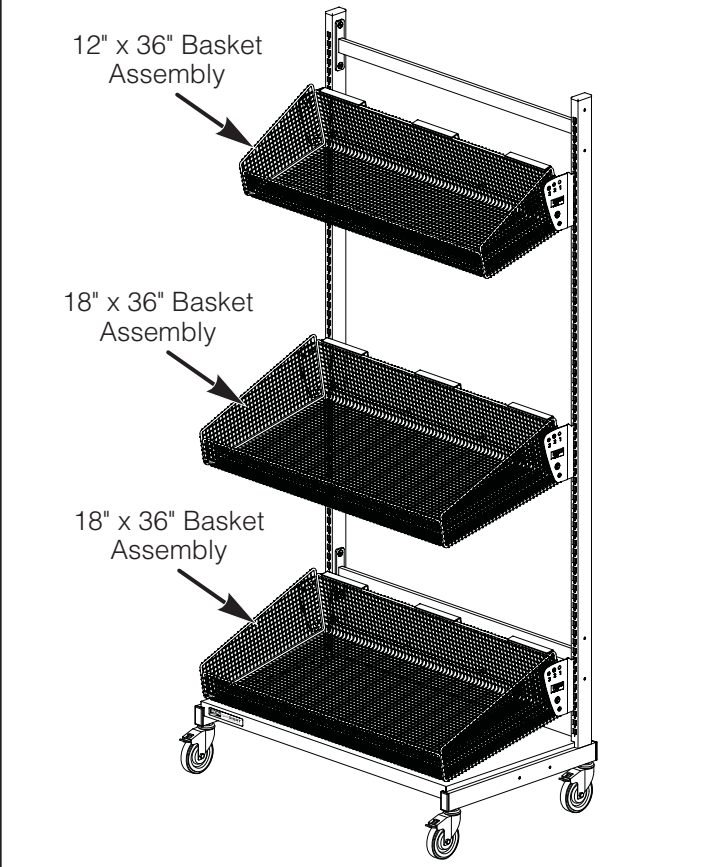


**NOTE:** For position 2 - locate grooves 9, 8, 4 to install 18" baskets on frame AND - locate grooves 8, 7, 3 to install 12" baskets on frame.

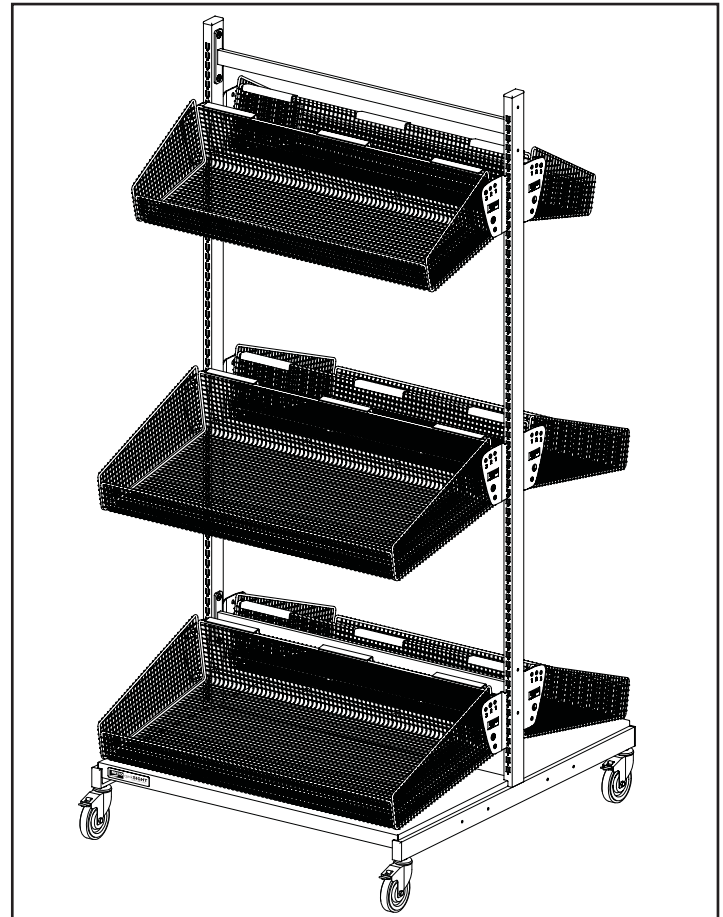
**NOTE:** For position 3 - locate grooves 10, 9, 5 to install 18" baskets on frame AND - locate grooves 9, 8, 4 to install 12" baskets on frame.



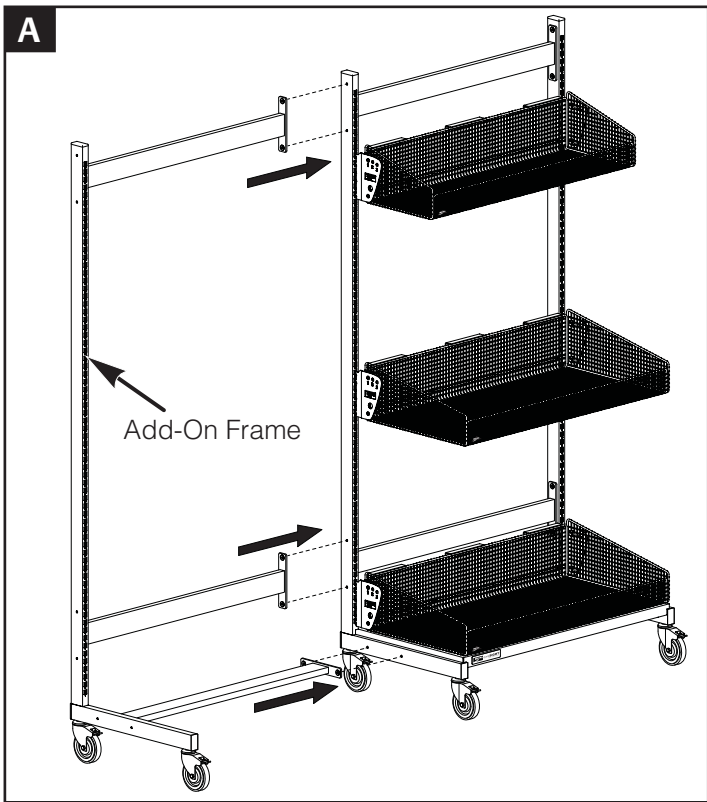
**I** **NOTE:** Configurations shown below are for reference only. Various combinations can be attained with 12"x36" and 18"x36" basket assemblies.



**DOUBLE STARTER CONFIGURATION**

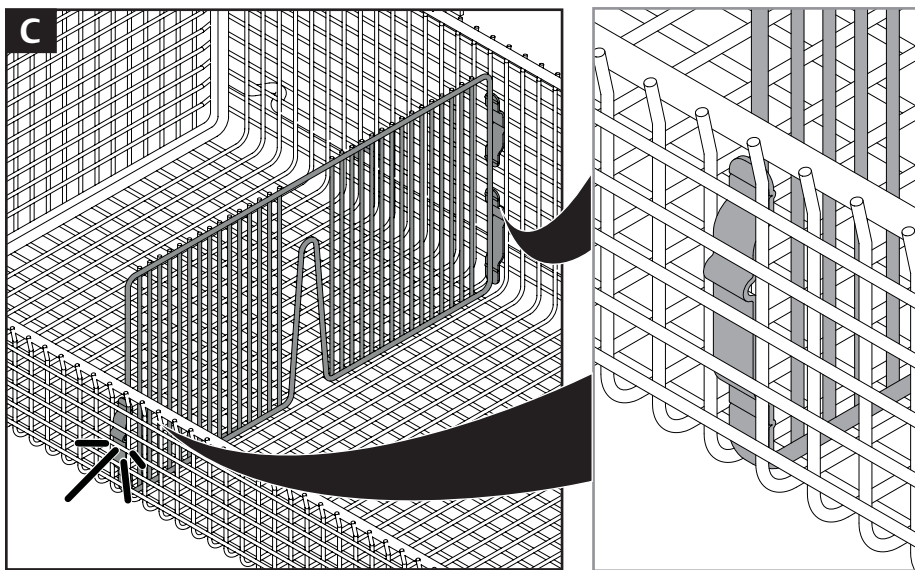
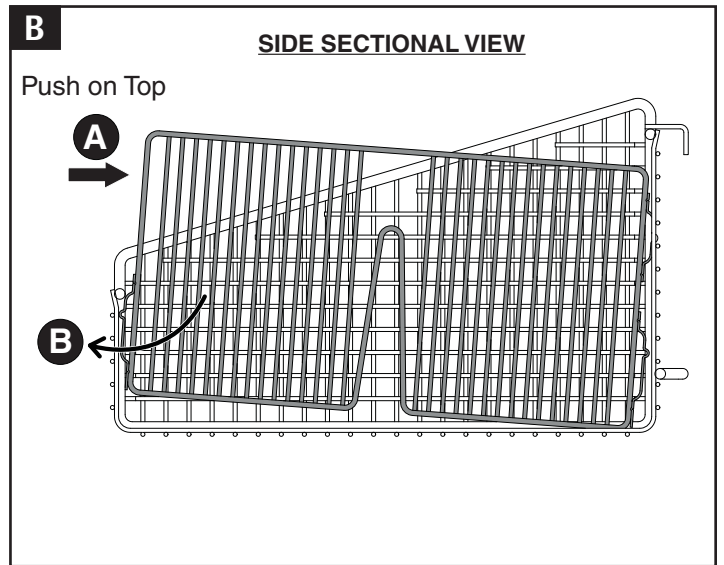
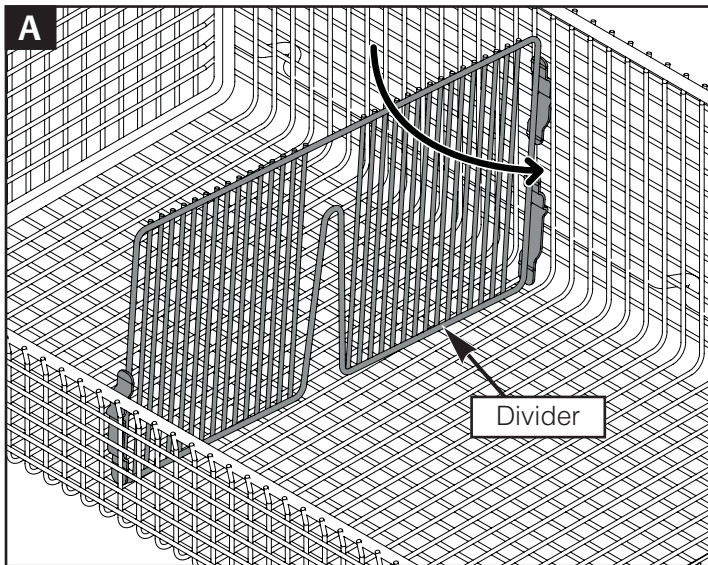


**ADD-ON CONFIGURATION**

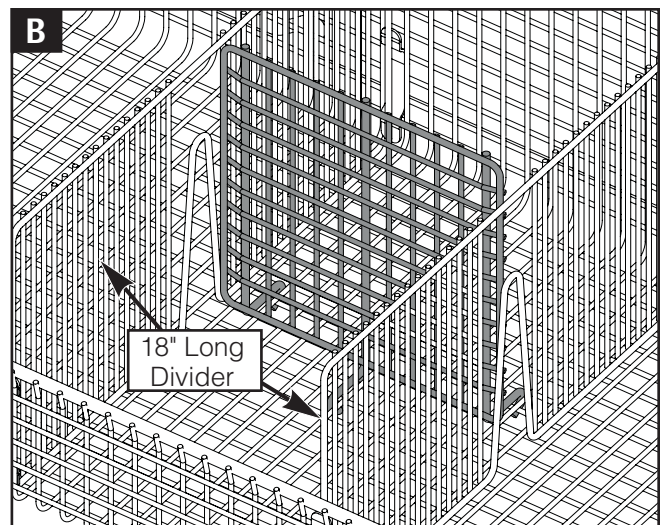
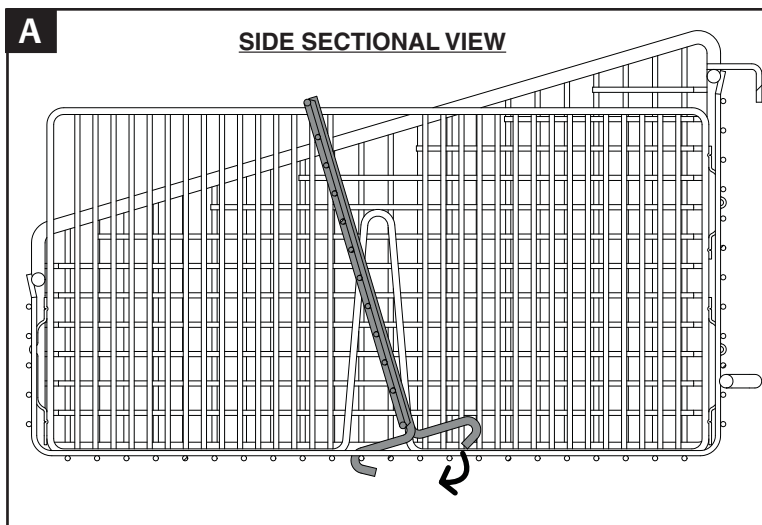


ACCESSORIES

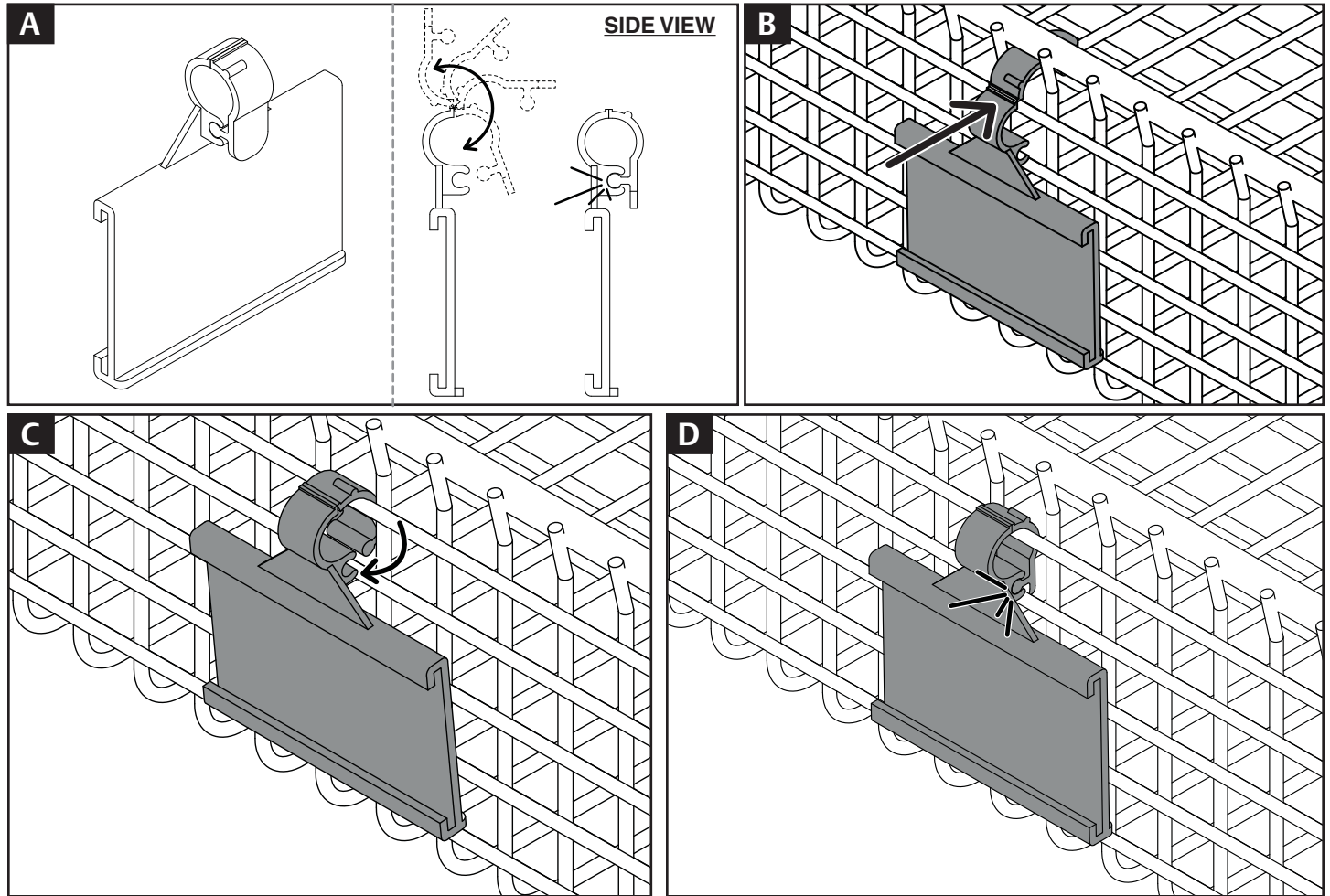
12"/18" Long Divider



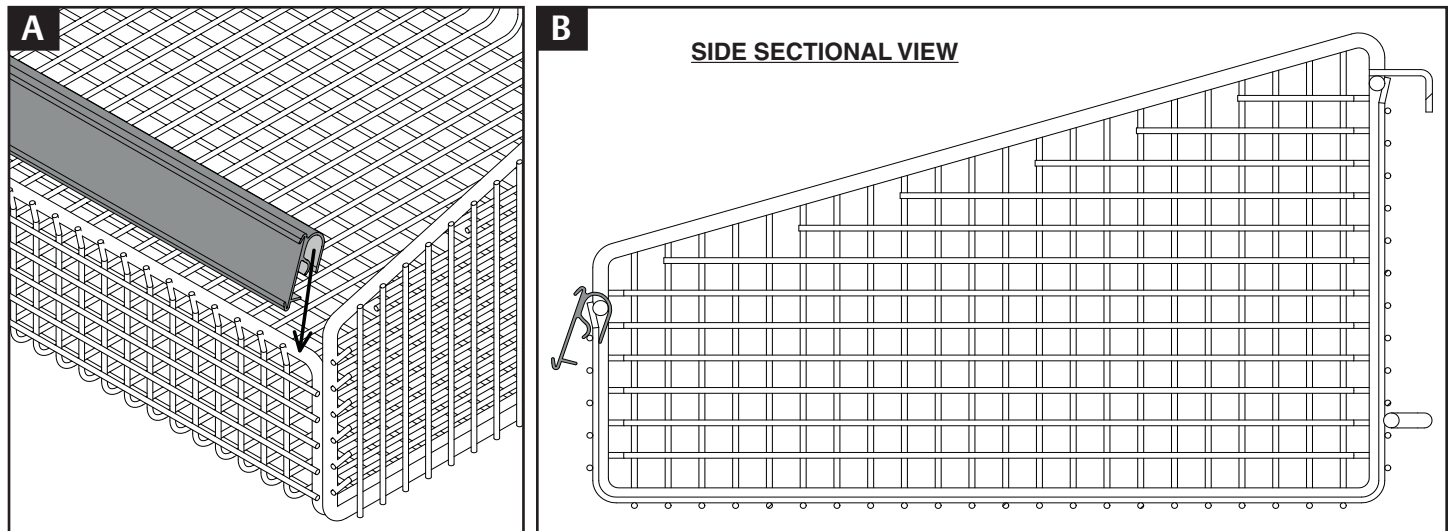
3"/6" Long Divider



3" Long Label Holder



3"/6" Long Label Holder (Clear)



- \* Save this document for future application, load rating and/or safety reference.
- \* Conserver ce document pour une utilisation ultérieure, pour vérifier la capacité de charge et pour consulter la référence de sécurité.
- \* Conserve este documento en caso de que lo necesite en aplicaciones futuras, especificaciones de carga y/o por consultas de seguridad.

US/Can: 1.800.992.1776  
 Corporate Headquarters (US): 1.570.825.2741  
 For Inquiries Outside of the U.S. and Canada,  
 Visit [www.metro.com/contactus](http://www.metro.com/contactus)

États-Unis/Canada : 1.800.992.1776  
 Siège social (États-Unis) : 1.570.825.2741  
 Pour toute demande de renseignements à l'extérieur des États-  
 Unis et du Canada, visiter le site [www.metro.com/contactus](http://www.metro.com/contactus)

EE. UU./Can: 1.800.992.1776  
 Sede central (EE. UU.): 1.570.825.2741  
 Para consultas desde fuera de los EE. UU. y Canadá,  
 visite: [www.metro.com/contactus](http://www.metro.com/contactus)

