



PS14 Series

4-Person Hand Wash Station

Operations & Maintenance Guide

POLYJOHN®

SPECIFICATIONS

Dimension	Imperial	Metric
Height	58 in	147 cm
Width	22.5 in	57 cm
Depth	22.5 in	57 cm
Fresh Water Capacity	20 gal	76 L
Gray Water Capacity	22 gal	83 L
Pump Capacity (per stroke)	2 fl oz	59.1 ml
Number of Single Dispenses	1280	1280
Weight Empty	60 lb	27 kg
Weight Full	226 lb	103 kg

Paper Towel Dispenser

Four packs of single-fold towels (Georgia Pacific 23504) 250 towels per pack. 1000 per wash station.

Soap Dispensers

Capacity	4/30 fl oz	4/887 ml
Total Capacity	120 fl. oz	3,548 ml

Color Options

Granite Gray, Tan, Evergreen & Army Green

NOTE: All dimensions are subject to change due to environmental factors.

POLYJOHN USA

PolyJohn Enterprises Corp
2500 Gaspar Ave.
Whiting, IN 46394
Phone: 800-292-1305
Fax: 219-659-0625
www.polyjohn.com
info@polyjohn.com

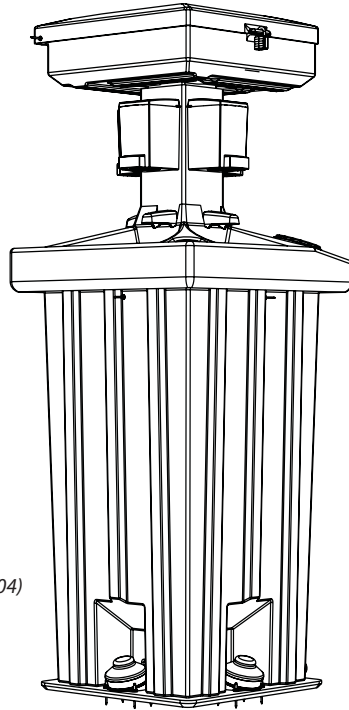
POLYJOHN WORLDWIDE

PolyJohn (UK) Ltd.
Equinox 1 Audby Lane
Wetherby, England LS22 7RD
Phone: 44 (0) 1937-583333
Fax: 44 (0) 1937-583322
www.polyjohn.co.uk
sales@polyjohn.co.uk

POLYJOHN CANADA

PolyJohn Canada
P.O. Box 2300
199 Forest Plain Rd.
Orillia, Ontario LV3 6S2
Phone: 800-465-9590
Fax: 705-325-8250
www.polyjohncanada.ca
info@polyjohncanada.ca

PS14 Web Guide - July 2014
Page 1 of 5



All materials, including resin, pigments and additives used to make the plastic components as well as the plumbing components that come in contact with the fresh water are U.S. FDA food grade compliant.

We recommend reading through the entire booklet prior to proceeding with use, service or maintenance.

General Product Overview & Operation Information

This self-contained, stand alone four person hand wash station is designed for use where convenient hand washing is desired or required, such as food service locations at outdoor events or construction sites. The compact design is ideal for areas where limited space is available and is easy to transport. Supplied fully assembled with a simplified plumbing system that is easy to maintain.

TOOLS REQUIRED FOR SERVICE OR MAINTENANCE

- Rivet Gun
- Drill with 13/64" bit
- Standard slotted screwdriver

Fresh Water Plumbing

The plumbing system in this sink is simple and requires minimal maintenance. If the system becomes plugged, first check the foot pumps. Depress each foot pump and observe the level of resistance. If there is resistance and water is not dispensed, there is most likely an obstruction in the tube or at the orifice of the water tap spigot. If there is no resistance and the water is not dispensed, then either a.) a tube connection is loose or b.) an internal rubber part of the pump needs replacing.

Drain Plumbing System

The drain system is designed to be virtually maintenance free. Each of the four sink bowls are molded into the inner tank and the gray water drains directly into it through the three drilled holes in the bottom of each basin. These holes are kept small to minimize debris and foreign matter from entering the inner holding tank.

Pump Removal

The base plate does not have to be removed for pump maintenance. The pumps are fastened to the base plate with (4) PC-000104 - Rivets (which will have to be drilled out to remove the pumps). Quick disconnect fittings are used throughout the plumbing system. To disconnect the tubing, push the ring of the fitting toward the fitting stem while at the same time pulling out on the tubing.

PS14 Web Guide - July 2014
Page 2 of 5

Service / Maintenance Information

Filling with Fresh Water

Unscrew the 1" plug located in the top corner of the sink. Insert a standard 1" garden or similar type hose and fill with a few gallons of fresh water to perform a system check. Depress each pump a few times to "prime" them (*the pumps have built-in check valves that will hold a prime between uses*). Continue filling to the 20 gallon water level capacity (*which should take approximately five minutes with a standard garden hose and normal water pressure*). The tank is full when you can view the water level in the 1" hole. Tighten the plug when finished.

Emptying Fresh Water

Drain the fresh water by unscrewing the 1/2" plug located at the bottom of the sink. Tighten the plug when finished.

Emptying Gray Water

NOTE: *Certain geographical areas prohibit "dumping" of gray water and requires proper disposal.* Unscrew the 3" cap located in the top corner of the sink to pump out the gray water. Tighten the cap when finished.

Access Inner Plumbing / Spigot Replacement

Drill out the (8) PC-000117 - *Star Rivets* that attach the outer tank to the inner tower. Drill out the (8) PC-000104 - *Rivets* located at the spigots. Pull out the spigots with elbows attached approximately 5". Disconnect the tubing by pushing the ring on the fitting toward the fitting stem while at the same time pulling out on the tubing. To reattach the spigots, we recommend using PC-000104 - *Rivets* with PC-000106 - *Back-up Washers* on the stems of the rivets. To remove the paper towel holder, drill out the (4) PC-000105 - *Bulbex Rivets* located inside the dispenser.

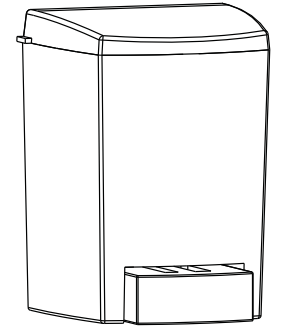
Service & Maintenance Information (Continued)

Paper Towel Dispenser

Unlock the master lock on the paper towel holder. Add one pack of single fold towels (*Georgia Pacific 23504 or equivalent*) to each compartment (*total of 4 packs*) and feed the first towel through the slots in the bottom of the towel holder body.

Soap Dispensers

Open the soap dispenser by placing your hands on both sides of the dispenser and pressing up on the tabs of the lid. Locate the tab on the mounting plate at the rear of the dispenser and push in on it and slide the dispenser up and off. Fill with 30 fluid ounces of liquid soap. Refasten it to the mounting plate and snap the lid back on. Repeat for the other three dispensers.



IMPORTANT DECALS

NOT FOR COOKING OR DRINKING, is required by law in certain areas of the U.S. Other geographical areas require that the materials used to manufacture the sinks comply with the U.S. Federal Food and Drug Administration (FDA) guidelines 21 CFR 175.300 (resins), 177.1520 (olefin polymers) and 178.3297 (colorants for polymers). The materials also comply with the U.S. Public Health Service Drinking Water Standards, 42 CFR part 72 and U.S. Environmental Protection Agency Interim Primary Drinking Water Regulations 40 CFR part 141.

HANDS FREE PUMP, instruction for user to use foot pump to operate the sink.

UNIT MUST BE DRAINED BEFORE TRANSPORTING, reminds service operator to empty the sink before transporting.

Winterizing

- Drain all water from the tanks.
- Flush tank with a solution of chlorine and water.
- Depress the foot pump to clear lines.
- Drain all water from the tanks.

CLEANING AND MAINTENANCE

Use a mild soap to clean all surfaces and component parts.

Minor scratches and abrasions can be lightly sanded or scrubbed with a mild abrasive cleaner (*such as "Soft Scrub"*) that contains calcium carbonate, hypochlorate bleach and detergents. Be sure to follow the cleaning product directions since these ingredients may cause hazardous gases when mixed with other chemicals. Rinse the cleaned area and buff with a conventional wax.

Some light scratches may also be hidden by using an industrial hot air gun.

To keep the water fresh add a "Fresh Sink Tablet" (*chlorinated tablet*) each time the sink is filled with water.

For a source of cleaning, deodorizing and paper products contact:

**COOPER'S OWN
2500 GASPAR AVE.
WHITING, IN 46394-2175
800-292-1305 EXTENSION 514
www.polyjohn.com/products/supplies/cooper-s-own**

We highly recommend membership in the Portable Sanitation Association International (PSAI); the worldwide authority on portable sanitation services. The PSAI, "Portable Sanitation Industry Certification Program" manual contains a wealth of information on standards and service procedures. For more information contact the PSAI:

PORTABLE SANITATION ASSOCIATION INTERNATIONAL (PSAI)
7800 METRO PARKWAY, SUITE 104
BLOOMINGTON, MINNESOTA 55425 USA
800-822-3020 / 612-854-8300 FAX 612-854-7560
www.psai.org

MISSION STATEMENT

"PolyJohn is a family owned, state of the art, plastics manufacturing company dedicated to providing its employees with a work environment committed to excellence, and its customers with innovative products, services and technology that meet or exceed their requirements."

THANK YOU FOR PURCHASING POLYJOHN PRODUCTS!

Look for us on the Web @ www.PolyJohn.com