



RELIABILITY BUILT IN™

Introducing...

The T&S Solution To Add-On Accessory Tees in the Kitchen

Need an additional water source from your EasyInstall T&S pre-rinse unit or mixing faucet? Finding it hard to install? The T&S solution – a B-TEE-RGD designed for use with T&S pre-rinses, or B-TEE-EZK, designed for use with T&S mixing faucets.

Tee Application

Tees on pre-rinse units and mixing faucets are used to supply water to accessory applications such as chemical injectors (for cleaning jobs, etc.). They are not intended to introduce chemicals into the T&S pre-rinse unit or mixing faucet. A backflow prevention device should be installed if not included with the accessory device.

T&S Pre-Rinse Tee Models

We have four new T&S pre-rinse models which include a B-TEE-RGD:

- B-0113-A12B-TEE** PRU, 12" add-on faucet, wall bracket, rigid tee
- B-0113-B-TEE** PRU, wall bracket and rigid tee
- B-0133-A12B-TEE** PRU, 12" add-on faucet, wall bracket, rigid tee
- B-0133-B-TEE** PRU, wall bracket and rigid tee

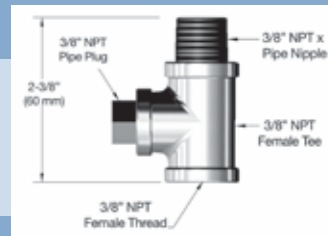
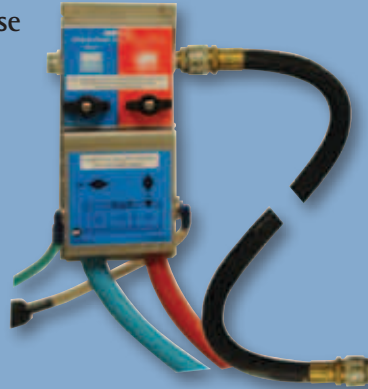
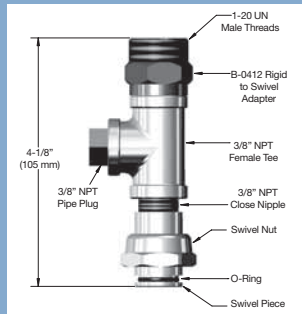
The B-TEE-RGD can be easily retrofitted to an existing T&S pre-rinse, ordered separately or used to modify a new pre-rinse unit. Ex.: "B-0123-B modified with a B-TEE-RGD."

T&S Mixing Faucet Tees

The B-TEE-EZK can be easily retrofitted to an existing T&S mixing faucet, ordered separately or used to modify a new faucet. Ex.: "B-0230 modified with a B-TEE-EZK."

T&S Tee Features

- Chrome plated brass
- Low-lead compliant (AB1953)
- Easy installed on an existing T&S pre-rinse unit and mixing faucet



B-TEE-RGD

- Recommended installation is just below spring body on pre-rinse riser
- Includes a hex L-Key to remove existing EasyInstall swivel piece if necessary

B-TEE-EZK

- Install into faucet body outlet
- Includes swivel to rigid star washer

B-0113-B-TEE

EasyInstall

* PLEASE NOTE: Adding a non-T&S Tee voids the T&S warranty on your pre-rinse unit or mixing faucet.



T&S Brass and Bronze Works, Inc. 2 Saddleback Cove, P.O. Box 1088
Travelers Rest, SC 29690 • 800-476-4103
Simi Valley, CA • 800-423-0150 • Fax 864-834-3518 www.tsbrass.com

