

Heated Holding

Drawer Warmers

| | |
|---------|---------|
| 500-1D | 500-1DN |
| 500-2D | 500-2DN |
| 500-2DI | 500-3DN |
| 500-3D | |



Manufacturer's Information

Copyright

© Copyright 05/2020 by Alto-Shaam, Inc.
All rights reserved.
This manual or any portion thereof may not be reproduced or used in any manner whatsoever without the express written permission of Alto-Shaam, Inc

Trademarks

All trademarks referenced in this documentation are the property of their respective owners.

Manufacturer

Alto-Shaam, Inc.
P.O. Box 450
W164 N9221 Water Street
Menomonee Falls, WI 53052

Models Covered

| | |
|---------|---------|
| 500-1D | 500-1DN |
| 500-2D | 500-2DN |
| 500-2DI | 500-3DN |
| 500-3D | |

Serial Number

The unit serial number is required for ordering the correct service parts.
Record the unit serial number in the space provided below.

| Serial Number |
|---------------|
| |

Parts Ordering Information

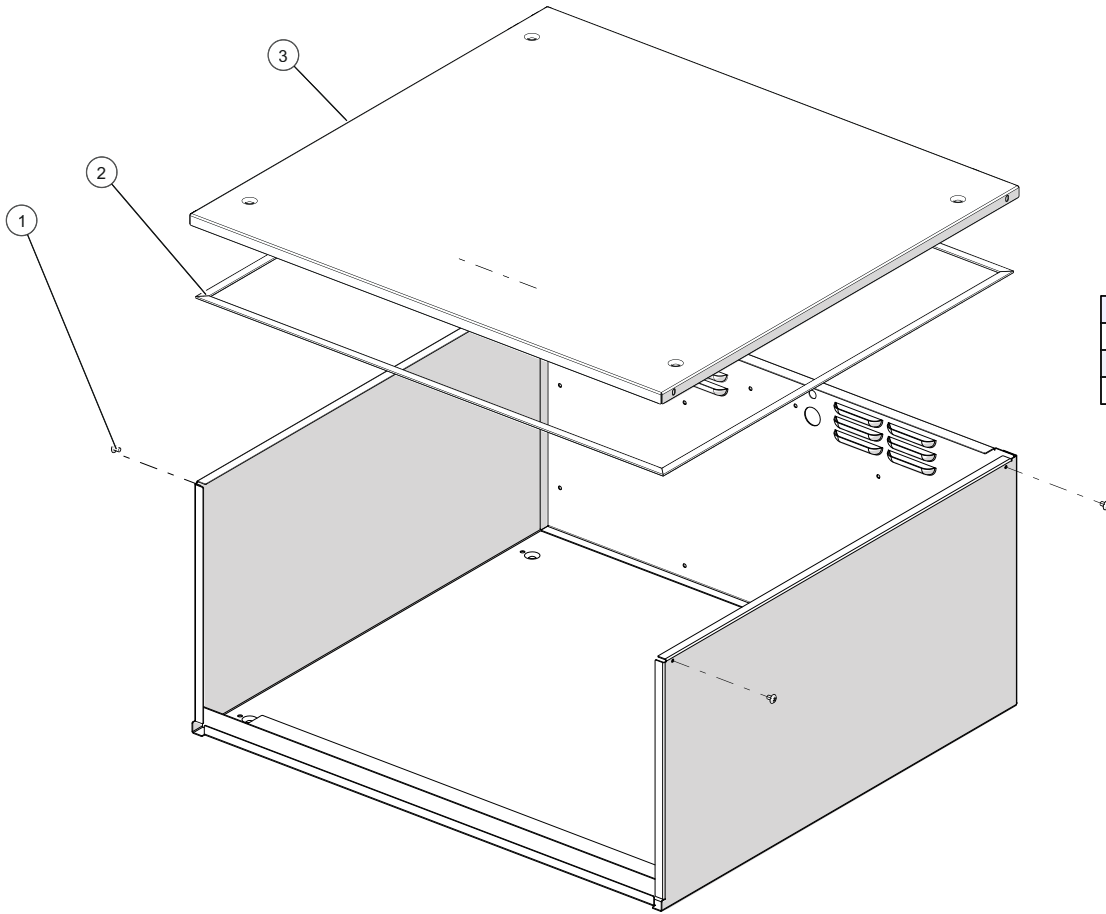
Original manufacturer's replacement parts may be ordered directly from the Alto-Shaam network of Authorized Service Agents and Parts Distributors. Follow this link for a map to a local partner: <https://www.alto-shaam.com/en/how-to-buy>. If you are an Authorized Service Agent or Parts Distributor, please submit your purchase order to parts@alto-shaam.com.

Non-OEM parts may be substituted; however, these parts must be of equal quality and specifications as those provided by Alto-Shaam.

Table of Contents

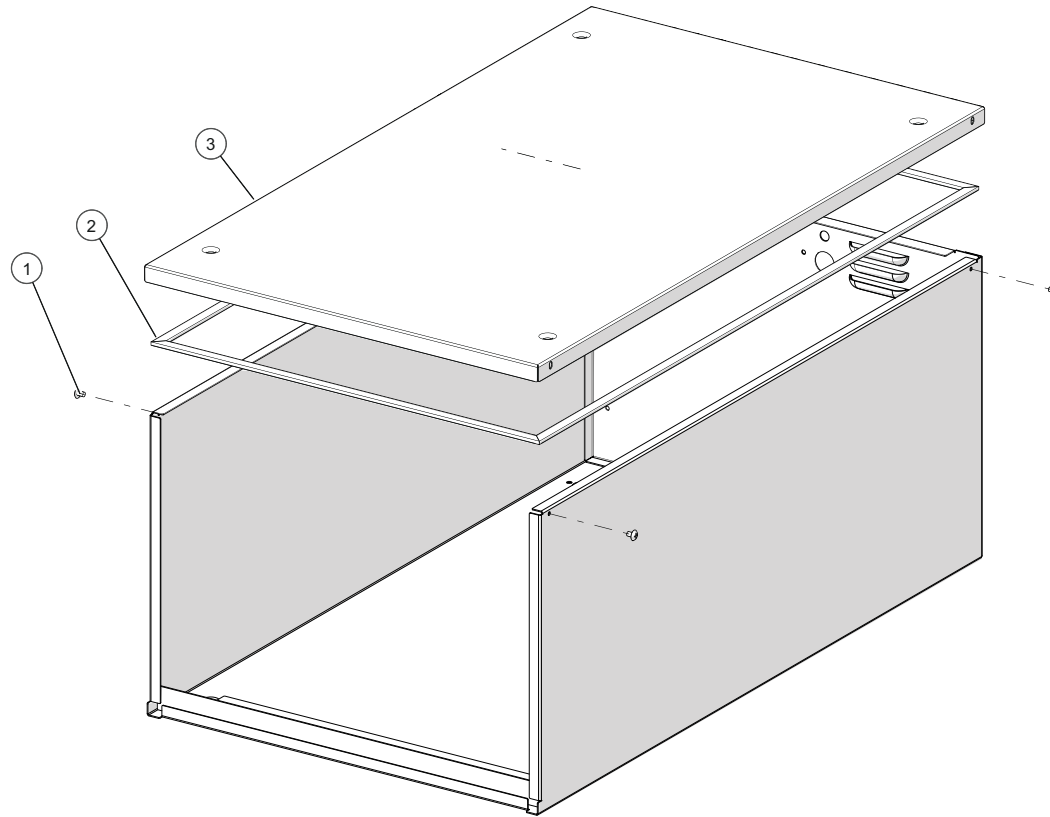
| | | | |
|--|----|--|----|
| Manufacturer’s Information | 2 | Cavity Package “A”, 500-1D | 31 |
| Table of Contents | 3 | Cavity Package “A”, 500-1DN | 32 |
| Exterior Panel Package “A”, 500-1D | 4 | Cavity Package “A”, 500-2D | 33 |
| Exterior Panel Package “A”, 500-1DN | 5 | Cavity Package “A”, 500-2DN | 34 |
| Exterior Panel Package “A”, 500-2D | 6 | Cavity Package “A”, 500-3D | 35 |
| Exterior Panel Package “A”, 500-2DN | 7 | Cavity Package “A”, 500-3DN | 36 |
| Exterior Panel Package “A”, 500-3D | 8 | Drawer Assembly, D Series, Non-Vented | 37 |
| Exterior Panel Package “A”, 500-3DN | 9 | Drawer Assembly, D Series, Vented | 38 |
| Control Package “A”, 120V, 500-1D | 10 | Drawer Assembly, DN Series, Non-Vented | 39 |
| Control Package “A”, 120V, 500-1DN | 11 | Drawer Assembly, DN Series, Vented | 40 |
| Control Package “B”, 208-240V, 500-1D | 12 | Cordsets | 41 |
| Control Package “B”, 208-240V, 500-1DN | 13 | | |
| Control Package “C”, 230V, 500-1D | 14 | | |
| Control Package “C”, 230V, 500-1DN | 15 | | |
| Control Package “A”, 120V, 500-2D | 16 | | |
| Control Package “A”, 120V, 500-2DN | 17 | | |
| Control Package “A”, 120V, 500-2DI | 18 | | |
| Control Package “B”, 208-240V, 500-2D | 19 | | |
| Control Package “B”, 208-240V, 500-2DN | 20 | | |
| Control Package “B”, 208-240V, 500-2DI | 21 | | |
| Control Package “C”, 230V, 500-2D | 22 | | |
| Control Package “C”, 230V, 500-2DN | 23 | | |
| Control Package “C”, 230V, 500-2DI | 24 | | |
| Control Package “A”, 120V, 500-3D | 25 | | |
| Control Package “A”, 120V, 500-3DN | 26 | | |
| Control Package “B”, 208-240V, 500-3D | 27 | | |
| Control Package “B”, 208-240V, 500-3DN | 28 | | |
| Control Package “C”, 230V, 500-3D | 29 | | |
| Control Package “C”, 230V, 500-3DN | 30 | | |

Exterior Panel Package "A", 500-1D



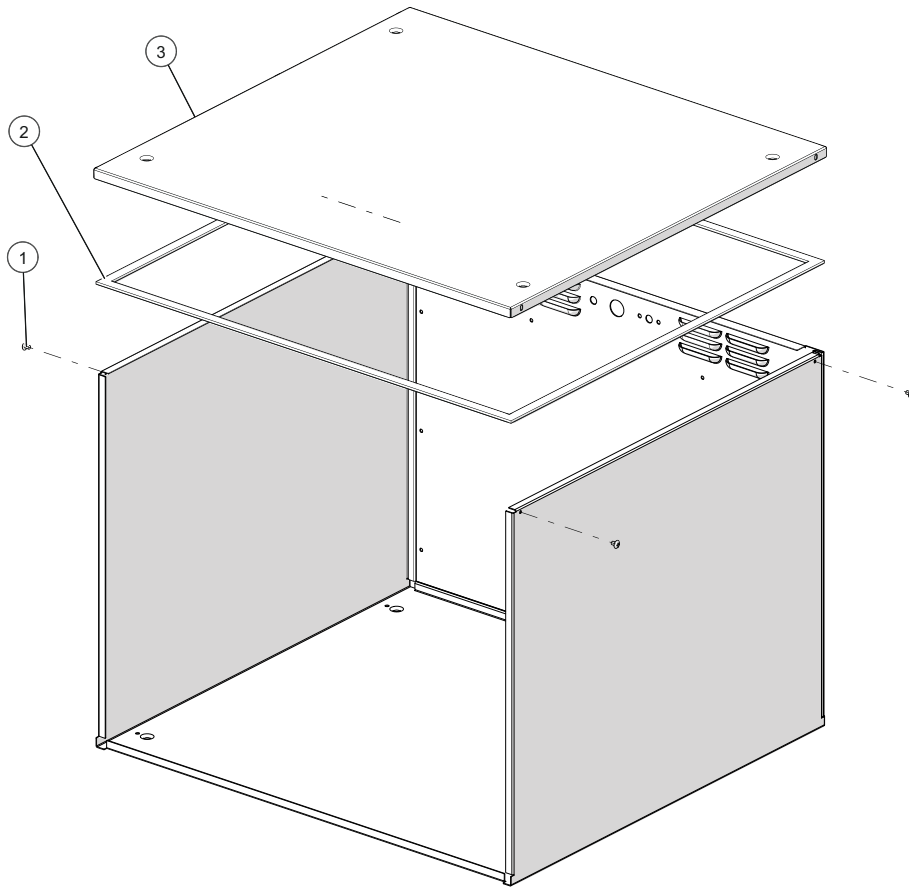
| ID | Part No. | Description |
|----|----------|---------------------------------|
| 1 | SC-2459 | 8-32 x 1/4" PHIL SCREW |
| 2 | GS-23622 | GASKET, ADHSV .375W X.125T X92L |
| 3 | 1012473 | COVER, TOP |

Exterior Panel Package "A", 500-1DN



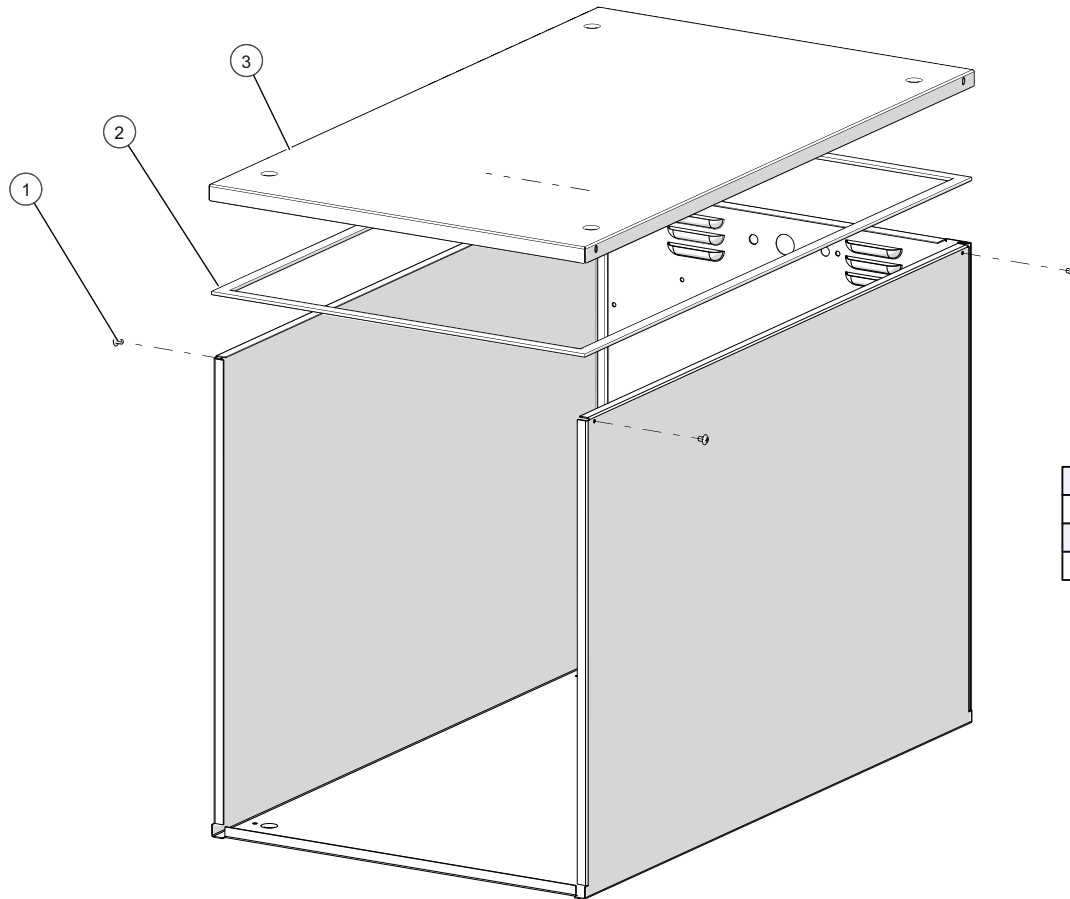
| ID | Part No. | Description |
|----|----------|----------------------------------|
| 3 | 1012779 | 500-1,2,3DN TOP COVER |
| 2 | GS-23622 | GASKET, ADHSV .375W X.125T X96"L |
| 1 | SC-2459 | 8-32 x 1/4" PHIL SCREW |

Exterior Panel Package "A", 500-2D



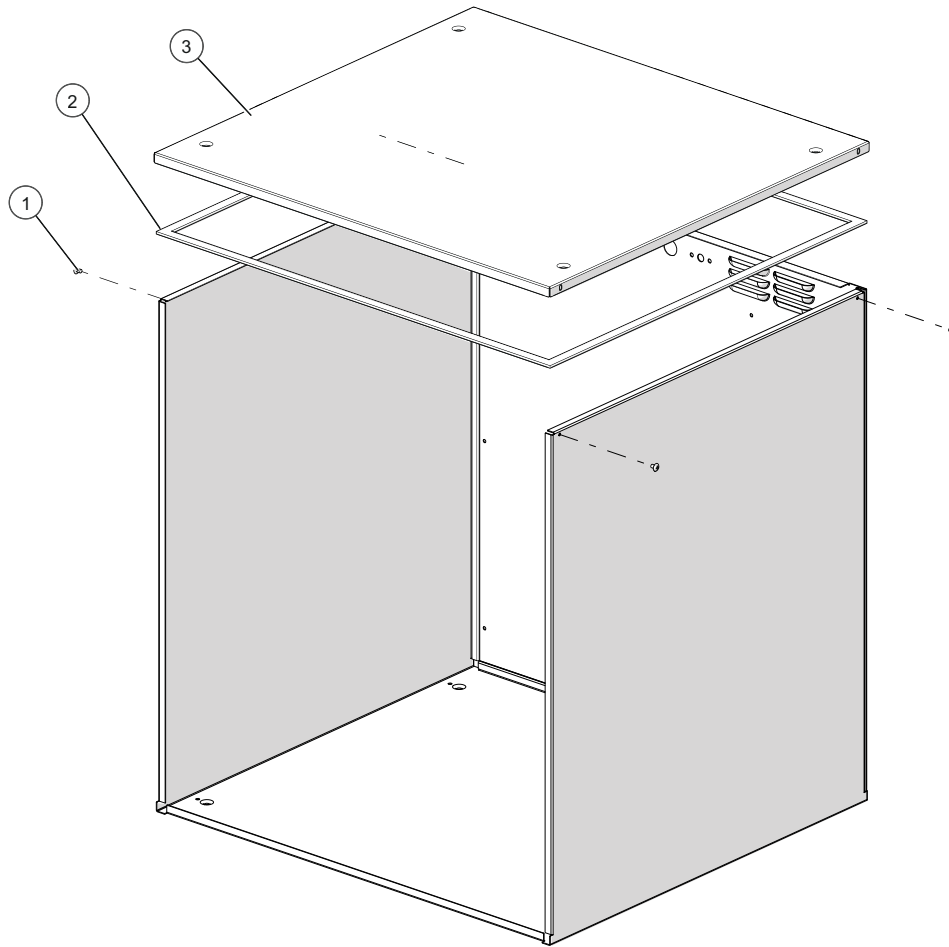
| ID | Part No. | Description |
|----|----------|---|
| 1 | SC-2459 | 8-32 x 1/4" PHIL SCREW |
| 2 | GS-23622 | GASKET, ADHESIVE, 0.125" X 0.375" X 94" |
| 3 | 1012473 | COVER, TOP |

Exterior Panel Package "A", 500-2DN



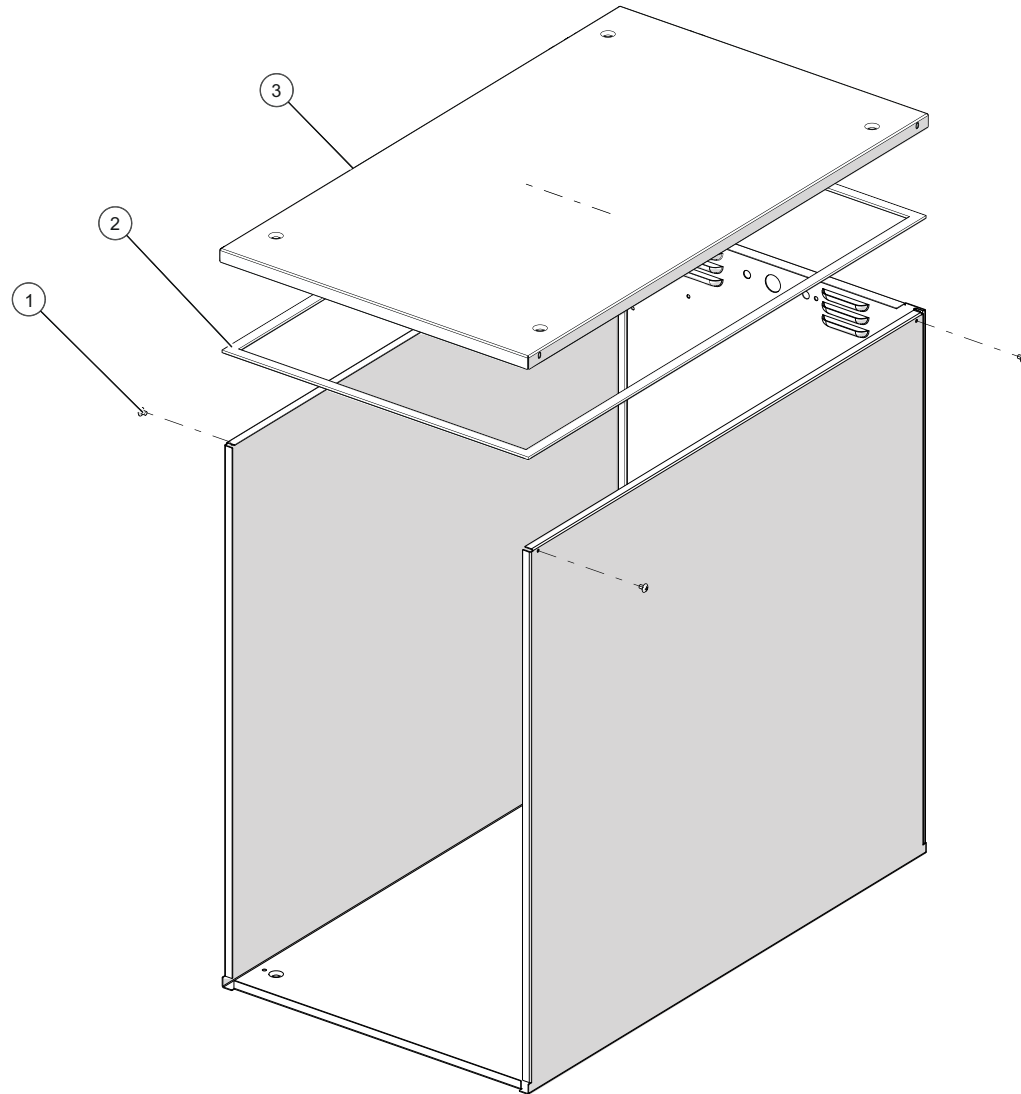
| ID | Part No. | Description |
|----|----------|---|
| 1 | SC-2459 | 8-32 x 1/4" PHIL SCREW |
| 2 | GS-23622 | GASKET, ADHESIVE, 0.125" X 0.375" X 88" |
| 3 | 1012779 | 500-1,2,3DN TOP COVER |

Exterior Panel Package "A", 500-3D



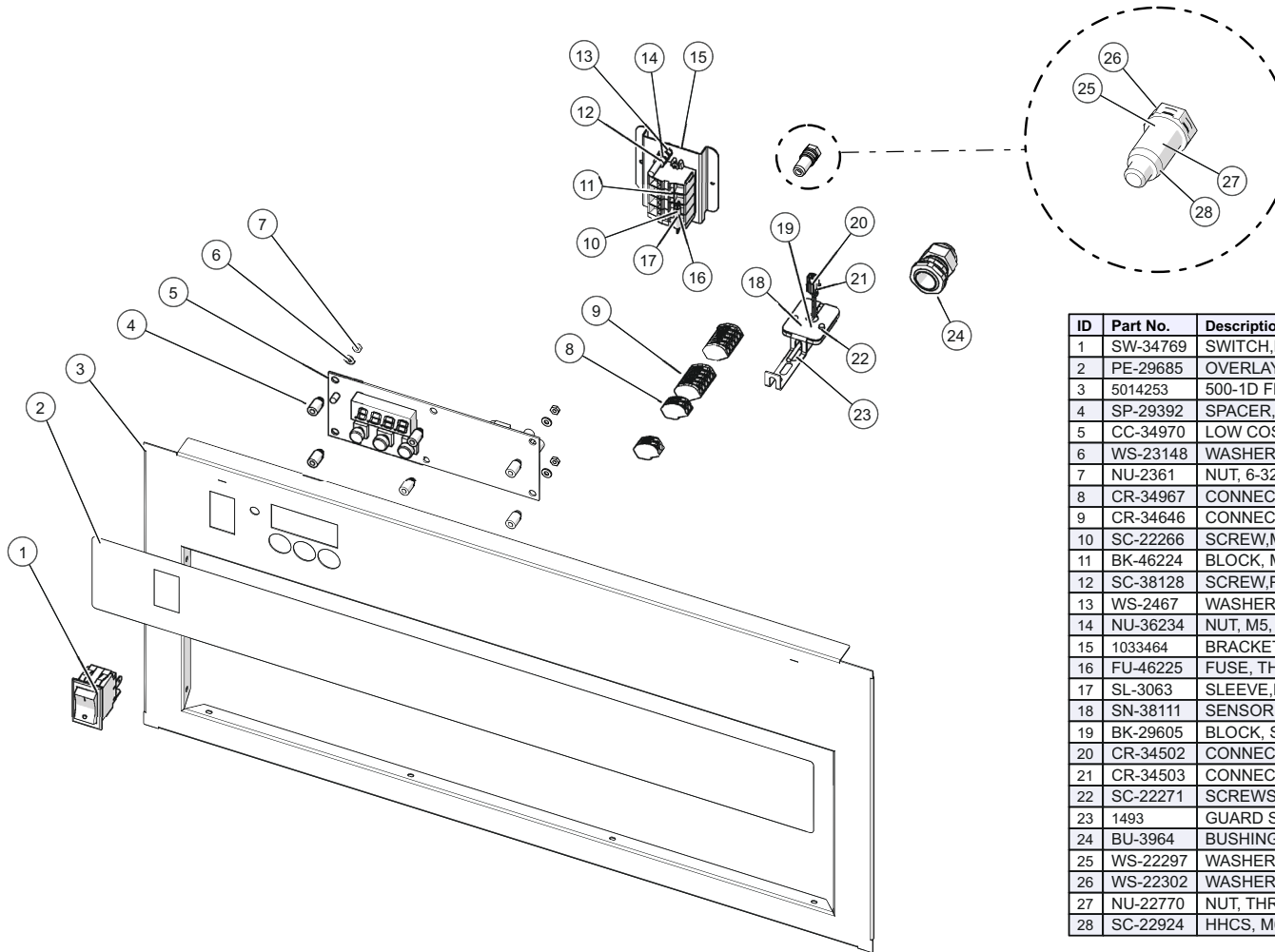
| ID | Part No. | Description |
|----|----------|---|
| 1 | SC-2459 | 8-32 x 1/4" PHIL SCREW |
| 2 | GS-23622 | GASKET, ADHESIVE, 0.125" X 0.375" X 94" |
| 3 | 1012473 | COVER, TOP |

Exterior Panel Package "A", 500-3DN



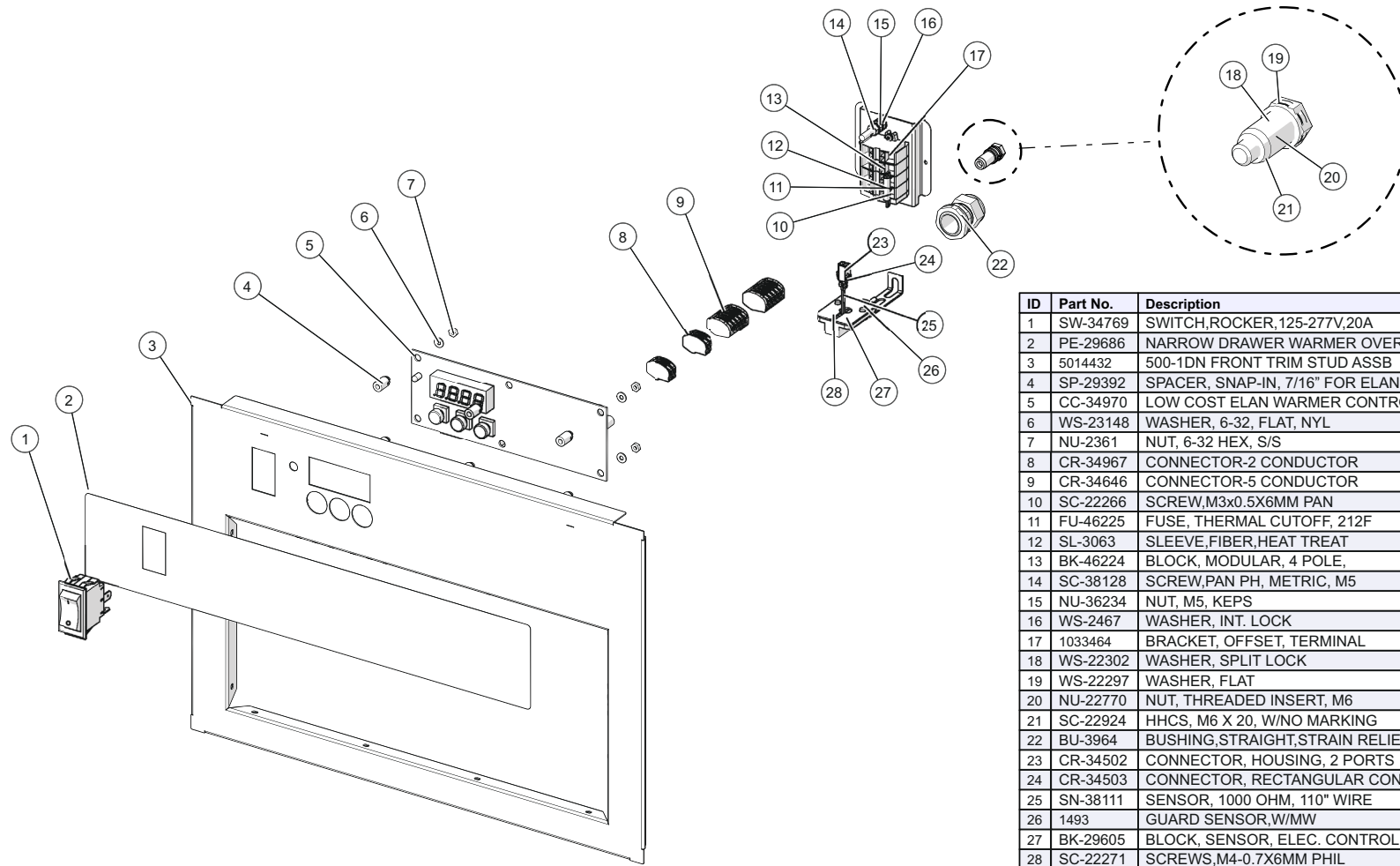
| ID | Part No. | Description |
|----|----------|---|
| 1 | SC-2459 | 8-32 x 1/4" PHIL SCREW |
| 2 | GS-23622 | GASKET, ADHESIVE, 0.125" X 0.375" X 88" |
| 3 | 1012779 | 500-1,2,3DN TOP COVER |

Control Package "A", 120V, 500-1D



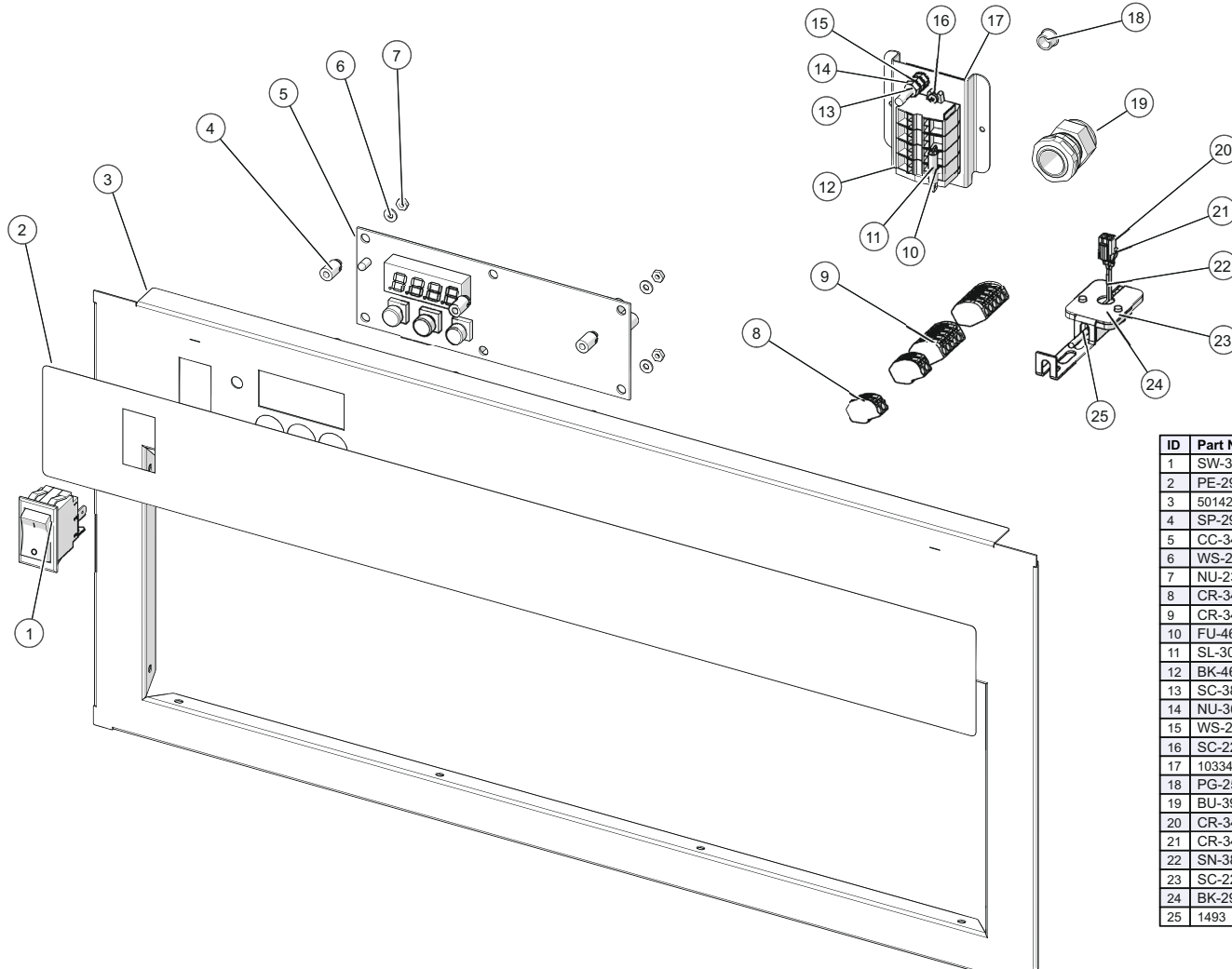
| ID | Part No. | Description |
|----|----------|---------------------------------|
| 1 | SW-34769 | SWITCH,ROCKER,125-277V,20A |
| 2 | PE-29685 | OVERLAY, 500-D, SIMPLE CONTROL |
| 3 | 5014253 | 500-1D FRONT TRIM STUD ASSB |
| 4 | SP-29392 | SPACER, SNAP-IN, 7/16" FOR ELAN |
| 5 | CC-34970 | LOW COST ELAN WARMER CONTROL |
| 6 | WS-23148 | WASHER, 6-32, FLAT, NYL |
| 7 | NU-2361 | NUT, 6-32 HEX, S/S |
| 8 | CR-34967 | CONNECTOR-2 CONDUCTOR |
| 9 | CR-34646 | CONNECTOR-5 CONDUCTOR |
| 10 | SC-22266 | SCREW,M3x0.5X6MM PAN |
| 11 | BK-46224 | BLOCK, MODULAR, 4 POLE, |
| 12 | SC-38128 | SCREW,PAN PH, METRIC, M5 |
| 13 | WS-2467 | WASHER, INT. LOCK |
| 14 | NU-36234 | NUT, M5, KEPS |
| 15 | 1033464 | BRACKET, OFFSET, TERMINAL |
| 16 | FU-46225 | FUSE, THERMAL CUTOFF, 212F |
| 17 | SL-3063 | SLEEVE,FIBER,HEAT TREAT |
| 18 | SN-38111 | SENSOR, 1000 OHM, 110" WIRE |
| 19 | BK-29605 | BLOCK, SENSOR, ELEC. CONTROL |
| 20 | CR-34502 | CONNECTOR, HOUSING, 2 PORTS |
| 21 | CR-34503 | CONNECTOR, RECTANGULAR CONTACTS |
| 22 | SC-22271 | SCREWS,M4-0.7X6MM PHIL |
| 23 | 1493 | GUARD SENSOR,W/MW |
| 24 | BU-3964 | BUSHING,STRAIGHT,STRAIN RELIEF |
| 25 | WS-22297 | WASHER, FLAT |
| 26 | WS-22302 | WASHER, SPLIT LOCK |
| 27 | NU-22770 | NUT, THREADED INSERT, M6 |
| 28 | SC-22924 | HHCS, M6 X 20, W/NO MARKING |

Control Package "A", 120V, 500-1DN



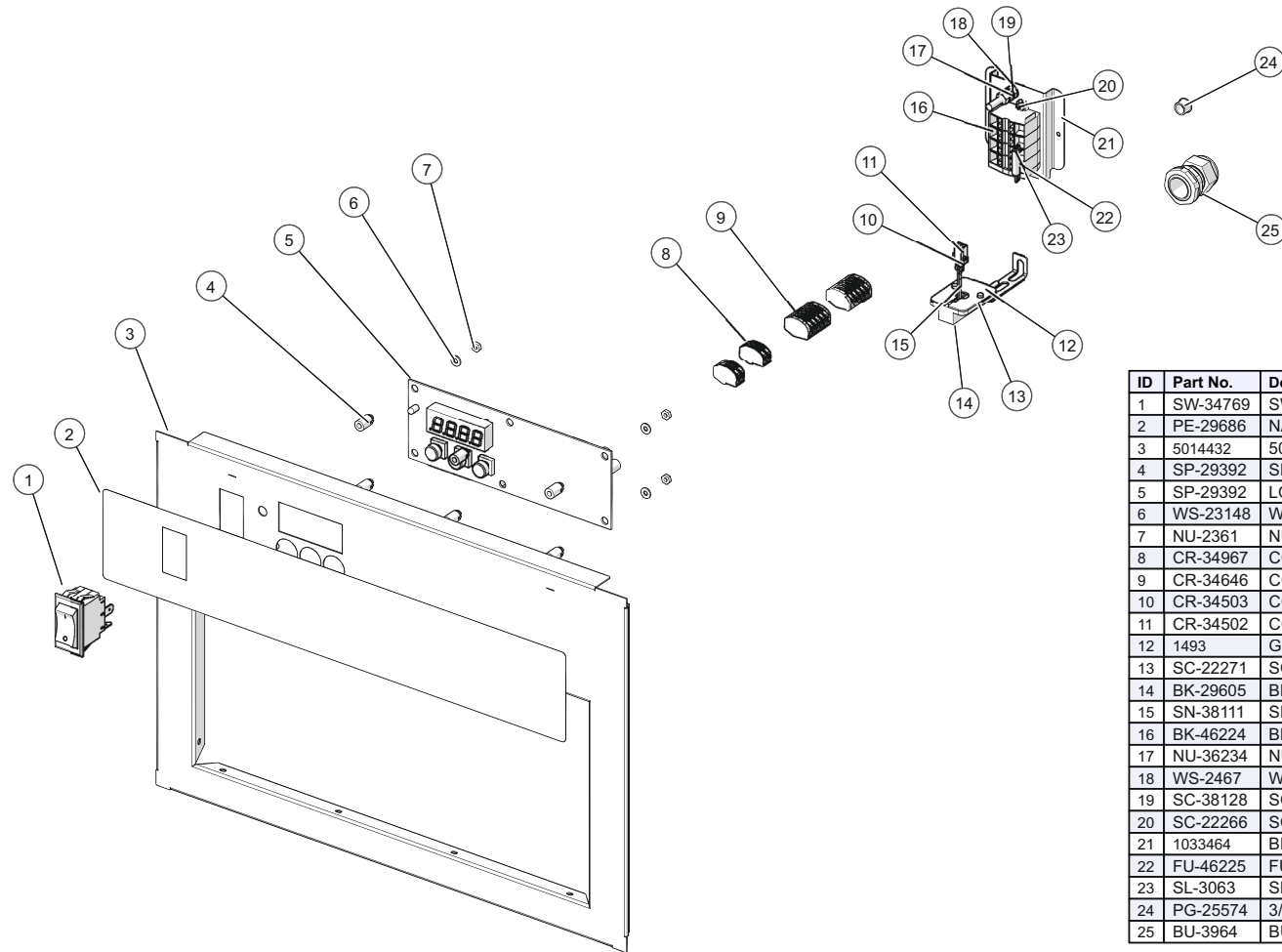
| ID | Part No. | Description |
|----|----------|---------------------------------|
| 1 | SW-34769 | SWITCH,ROCKER,125-277V,20A |
| 2 | PE-29686 | NARROW DRAWER WARMER OVERLAY |
| 3 | 5014432 | 500-1DN FRONT TRIM STUD ASSB |
| 4 | SP-29392 | SPACER, SNAP-IN, 7/16" FOR ELAN |
| 5 | CC-34970 | LOW COST ELAN WARMER CONTROL |
| 6 | WS-23148 | WASHER, 6-32, FLAT, NYL |
| 7 | NU-2361 | NUT, 6-32 HEX, S/S |
| 8 | CR-34967 | CONNECTOR-2 CONDUCTOR |
| 9 | CR-34646 | CONNECTOR-5 CONDUCTOR |
| 10 | SC-22266 | SCREW,M3x0.5X6MM PAN |
| 11 | FU-46225 | FUSE, THERMAL CUTOFF, 212F |
| 12 | SL-3063 | SLEEVE,FIBER,HEAT TREAT |
| 13 | BK-46224 | BLOCK, MODULAR, 4 POLE, |
| 14 | SC-38128 | SCREW,PAN PH, METRIC, M5 |
| 15 | NU-36234 | NUT, M5, KEPS |
| 16 | WS-2467 | WASHER, INT. LOCK |
| 17 | 1033464 | BRACKET, OFFSET, TERMINAL |
| 18 | WS-22302 | WASHER, SPLIT LOCK |
| 19 | WS-22297 | WASHER, FLAT |
| 20 | NU-22770 | NUT, THREADED INSERT, M6 |
| 21 | SC-22924 | HHCS, M6 X 20, W/NO MARKING |
| 22 | BU-3964 | BUSHING,STRAIGHT,STRAIN RELIEF |
| 23 | CR-34502 | CONNECTOR, HOUSING, 2 PORTS |
| 24 | CR-34503 | CONNECTOR, RECTANGULAR CONTACTS |
| 25 | SN-38111 | SENSOR, 1000 OHM, 110" WIRE |
| 26 | 1493 | GUARD SENSOR,W/MW |
| 27 | BK-29605 | BLOCK, SENSOR, ELEC. CONTROL |
| 28 | SC-22271 | SCREWS,M4-0.7X6MM PHIL |

Control Package "B", 208-240V, 500-1D



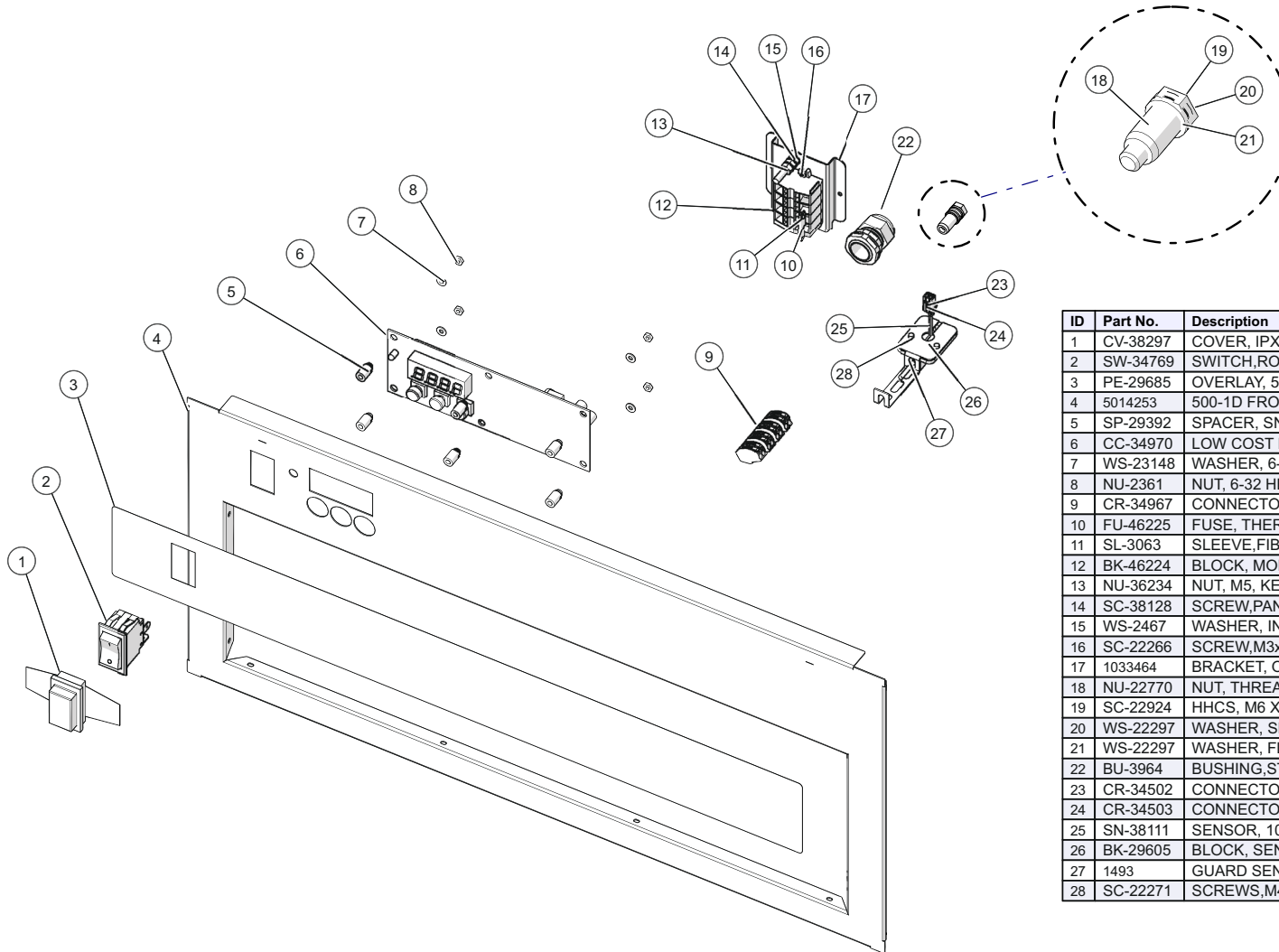
| ID | Part No. | Description |
|----|----------|---------------------------------|
| 1 | SW-34769 | SWITCH,ROCKER,125-277V,20A |
| 2 | PE-29685 | OVERLAY, 500-D, SIMPLE CONTROL |
| 3 | 5014253 | 500-1D FRONT TRIM STUD ASSB |
| 4 | SP-29392 | SPACER, SNAP-IN, 7/16" FOR ELAN |
| 5 | CC-34970 | LOW COST ELAN WARMER CONTROL |
| 6 | WS-23148 | WASHER, 6-32, FLAT, NYL |
| 7 | NU-2361 | NUT, 6-32 HEX, S/S |
| 8 | CR-34967 | CONNECTOR-2 CONDUCTOR |
| 9 | CR-34646 | CONNECTOR-5 CONDUCTOR |
| 10 | FU-46225 | FUSE, THERMAL CUTOFF, 212F |
| 11 | SL-3063 | SLEEVE,FIBER,HEAT TREAT |
| 12 | BK-46224 | BLOCK, MODULAR, 4 POLE |
| 13 | SC-38128 | SCREW,PAN PH, METRIC, M5 |
| 14 | NU-36234 | NUT, M5, KEPS |
| 15 | WS-2467 | WASHER, INT. LOCK |
| 16 | SC-22266 | SCREW,M3x0.5X6MM PAN |
| 17 | 1033464 | BRACKET, OFFSET, TERMINAL |
| 18 | PG-25574 | 3/8" HOLE PLUG |
| 19 | BU-3964 | BUSHING,STRAIGHT,STRAIN RELIEF |
| 20 | CR-34502 | CONNECTOR, HOUSING, 2 PORTS |
| 21 | CR-34503 | CONNECTOR, RECTANGULAR CONTACTS |
| 22 | SN-38111 | SENSOR, 1000 OHM, 110" WIRE |
| 23 | SC-22271 | SCREWS,M4-0.7X6MM PHIL |
| 24 | BK-29605 | BLOCK, SENSOR, ELEC. CONTROL |
| 25 | 1493 | GUARD SENSOR,W/MW |

Control Package "B", 208-240V, 500-1DN



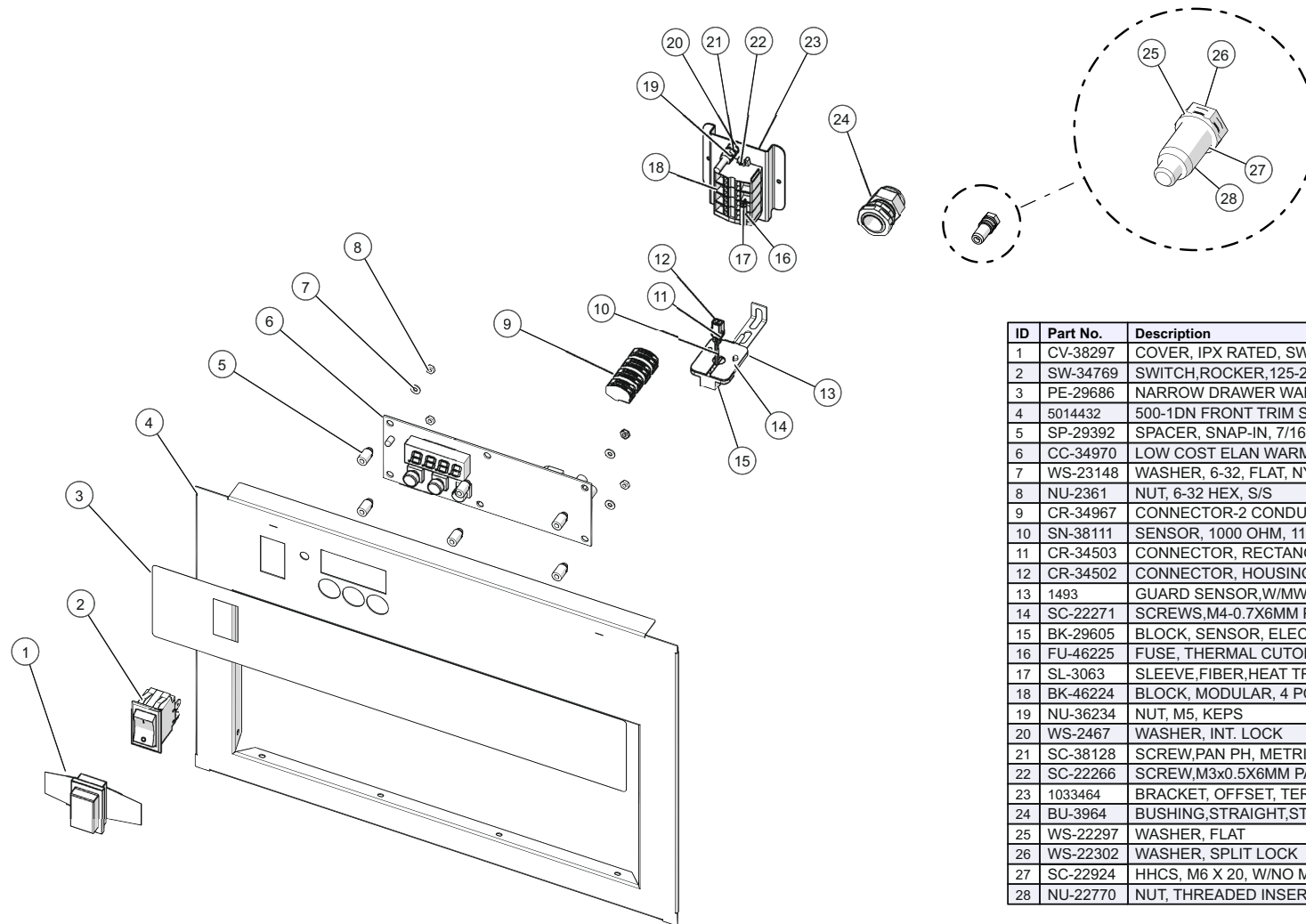
| ID | Part No. | Description |
|----|----------|---------------------------------|
| 1 | SW-34769 | SWITCH,ROCKER,125-277V,20A |
| 2 | PE-29686 | NARROW DRAWER WARMER OVERLAY |
| 3 | 5014432 | 500-1DN FRONT TRIM STUD ASSB |
| 4 | SP-29392 | SPACER, SNAP-IN, 7/16" FOR ELAN |
| 5 | SP-29392 | LOW COST ELAN WARMER CONTROL |
| 6 | WS-23148 | WASHER, 6-32, FLAT, NYL |
| 7 | NU-2361 | NUT, 6-32 HEX, S/S |
| 8 | CR-34967 | CONNECTOR-2 CONDUCTOR |
| 9 | CR-34646 | CONNECTOR-5 CONDUCTOR |
| 10 | CR-34503 | CONNECTOR, RECTANGULAR CONTACTS |
| 11 | CR-34502 | CONNECTOR, HOUSING, 2 PORTS |
| 12 | 1493 | GUARD SENSOR,W/MW |
| 13 | SC-22271 | SCREWS,M4-0.7X6MM PHIL |
| 14 | BK-29605 | BLOCK, SENSOR, ELEC. CONTROL |
| 15 | SN-38111 | SENSOR, 1000 OHM, 110" WIRE |
| 16 | BK-46224 | BLOCK, MODULAR, 4 POLE, |
| 17 | NU-36234 | NUT, M5, KEPS |
| 18 | WS-2467 | WASHER, INT. LOCK |
| 19 | SC-38128 | SCREW,PAN PH, METRIC, M5 |
| 20 | SC-22266 | SCREW,M3x0.5X6MM PAN |
| 21 | 1033464 | BRACKET, OFFSET, TERMINAL |
| 22 | FU-46225 | FUSE, THERMAL CUTOFF, 212F |
| 23 | SL-3063 | SLEEVE,FIBER,HEAT TREAT |
| 24 | PG-25574 | 3/8" HOLE PLUG |
| 25 | BU-3964 | BUSHING,STRAIGHT,STRAIN RELIEF |

Control Package "C", 230V, 500-1D



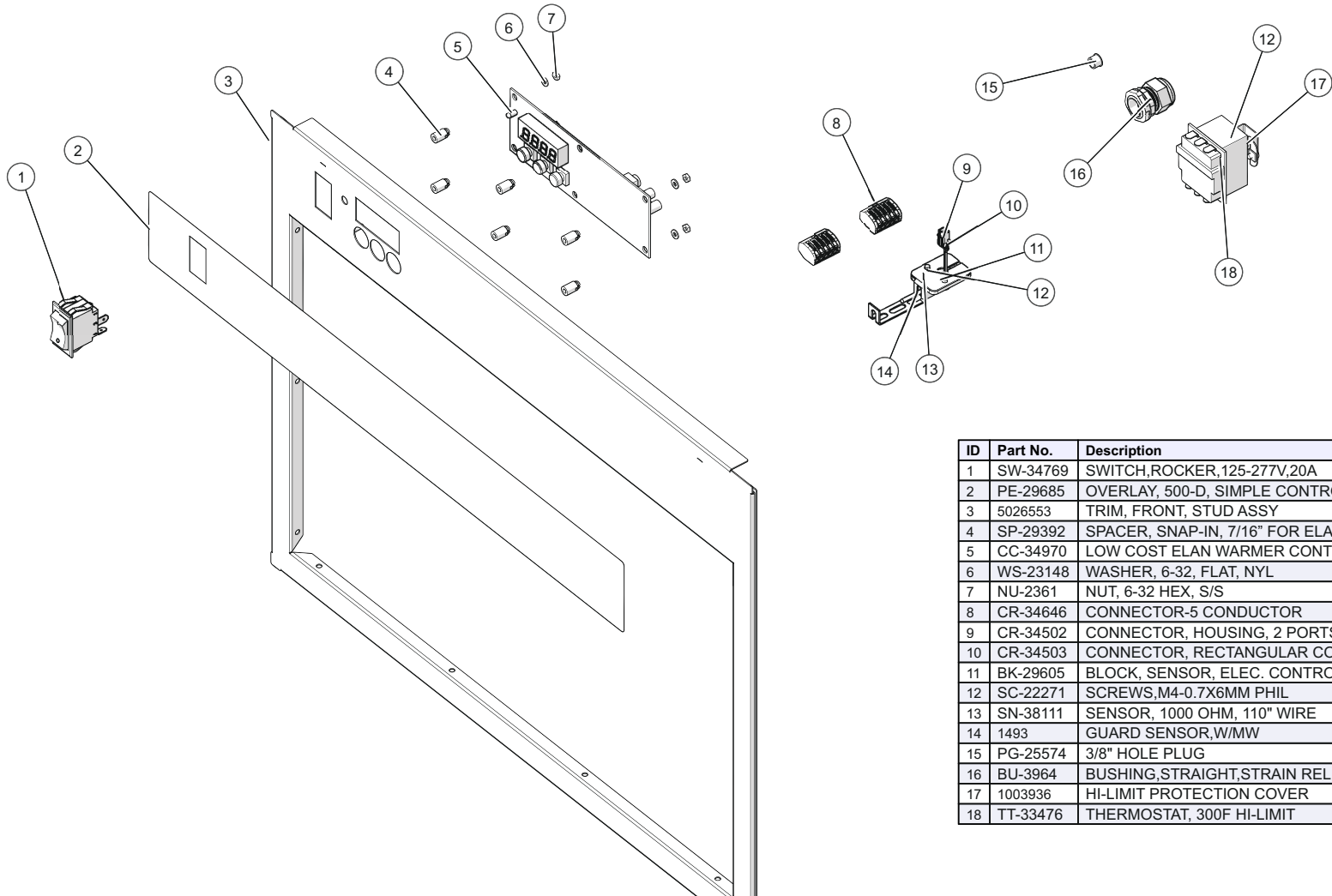
| ID | Part No. | Description |
|----|----------|---------------------------------|
| 1 | CV-38297 | COVER, IPX RATED, SW-34769 |
| 2 | SW-34769 | SWITCH,ROCKER,125-277V,20A |
| 3 | PE-29685 | OVERLAY, 500-D, SIMPLE CONTROL |
| 4 | 5014253 | 500-1D FRONT TRIM STUD ASSB |
| 5 | SP-29392 | SPACER, SNAP-IN, 7/16" FOR ELAN |
| 6 | CC-34970 | LOW COST ELAN WARMER CONTROL |
| 7 | WS-23148 | WASHER, 6-32, FLAT, NYL |
| 8 | NU-2361 | NUT, 6-32 HEX, S/S |
| 9 | CR-34967 | CONNECTOR-2 CONDUCTOR |
| 10 | FU-46225 | FUSE, THERMAL CUTOFF, 212F |
| 11 | SL-3063 | SLEEVE,FIBER,HEAT TREAT |
| 12 | BK-46224 | BLOCK, MODULAR, 4 POLE, |
| 13 | NU-36234 | NUT, M5, KEPS |
| 14 | SC-38128 | SCREW,PAN PH, METRIC, M5 |
| 15 | WS-2467 | WASHER, INT. LOCK |
| 16 | SC-22266 | SCREW,M3x0.5X6MM PAN |
| 17 | 1033464 | BRACKET, OFFSET, TERMINAL |
| 18 | NU-22770 | NUT, THREADED INSERT, M6 |
| 19 | SC-22924 | HHCS, M6 X 20, W/NO MARKING |
| 20 | WS-22297 | WASHER, SPLIT LOCK |
| 21 | WS-22297 | WASHER, FLAT |
| 22 | BU-3964 | BUSHING,STRAIGHT,STRAIN RELIEF |
| 23 | CR-34502 | CONNECTOR, HOUSING, 2 PORTS |
| 24 | CR-34503 | CONNECTOR, RECTANGULAR CONTACTS |
| 25 | SN-38111 | SENSOR, 1000 OHM, 110" WIRE |
| 26 | BK-29605 | BLOCK, SENSOR, ELEC. CONTROL |
| 27 | 1493 | GUARD SENSOR,W/MW |
| 28 | SC-22271 | SCREWS,M4-0.7X6MM PHIL |

Control Package "C", 230V, 500-1DN



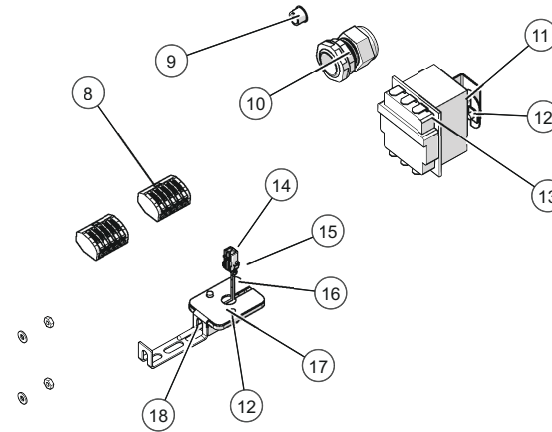
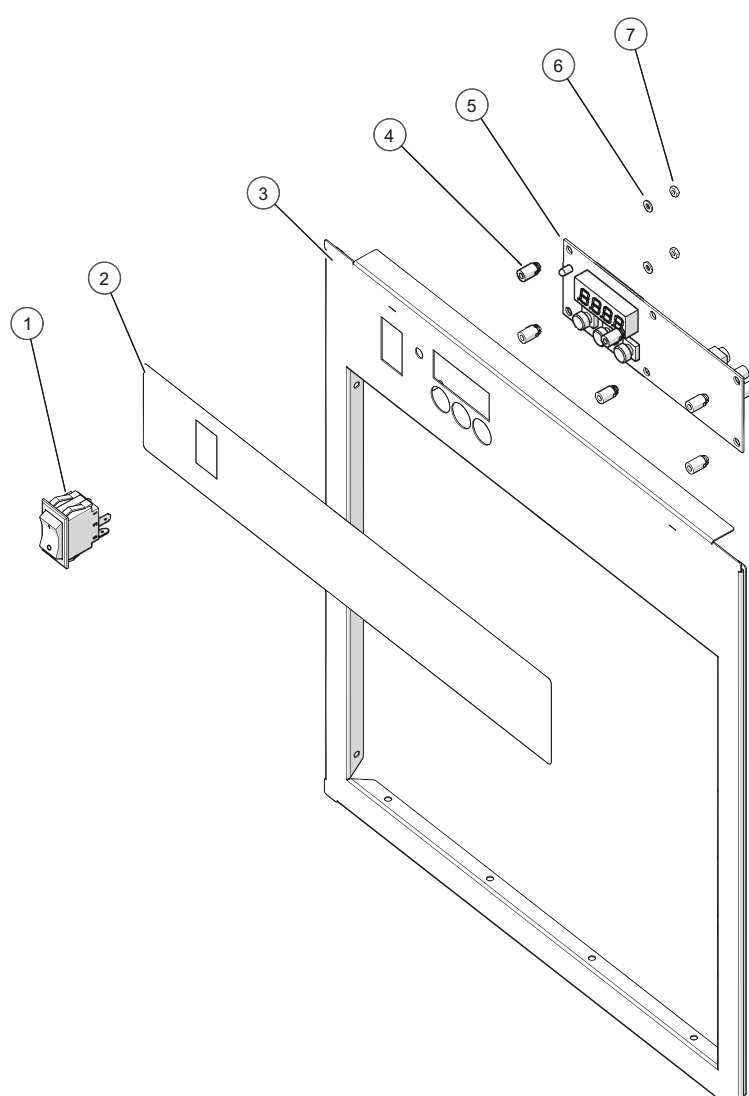
| ID | Part No. | Description |
|----|----------|---------------------------------|
| 1 | CV-38297 | COVER, IPX RATED, SW-34769 |
| 2 | SW-34769 | SWITCH,ROCKER,125-277V,20A |
| 3 | PE-29686 | NARROW DRAWER WARMER OVERLAY |
| 4 | 5014432 | 500-1DN FRONT TRIM STUD ASSB |
| 5 | SP-29392 | SPACER, SNAP-IN, 7/16" FOR ELAN |
| 6 | CC-34970 | LOW COST ELAN WARMER CONTROL |
| 7 | WS-23148 | WASHER, 6-32, FLAT, NYL |
| 8 | NU-2361 | NUT, 6-32 HEX, S/S |
| 9 | CR-34967 | CONNECTOR-2 CONDUCTOR |
| 10 | SN-38111 | SENSOR, 1000 OHM, 110" WIRE |
| 11 | CR-34503 | CONNECTOR, RECTANGULAR CONTACTS |
| 12 | CR-34502 | CONNECTOR, HOUSING, 2 PORTS |
| 13 | 1493 | GUARD SENSOR,W/MW |
| 14 | SC-22271 | SCREWS,M4-0.7X6MM PHIL |
| 15 | BK-29605 | BLOCK, SENSOR, ELEC. CONTROL |
| 16 | FU-46225 | FUSE, THERMAL CUTOFF, 212F |
| 17 | SL-3063 | SLEEVE,FIBER,HEAT TREAT |
| 18 | BK-46224 | BLOCK, MODULAR, 4 POLE, |
| 19 | NU-36234 | NUT, M5, KEPS |
| 20 | WS-2467 | WASHER, INT. LOCK |
| 21 | SC-38128 | SCREW,PAN PH, METRIC, M5 |
| 22 | SC-22266 | SCREW,M3x0.5X6MM PAN |
| 23 | 1033464 | BRACKET, OFFSET, TERMINAL |
| 24 | BU-3964 | BUSHING,STRAIGHT,STRAIN RELIEF |
| 25 | WS-22297 | WASHER, FLAT |
| 26 | WS-22302 | WASHER, SPLIT LOCK |
| 27 | SC-22924 | HHCS, M6 X 20, W/NO MARKING |
| 28 | NU-22770 | NUT, THREADED INSERT, M6 |

Control Package "A", 120V, 500-2D



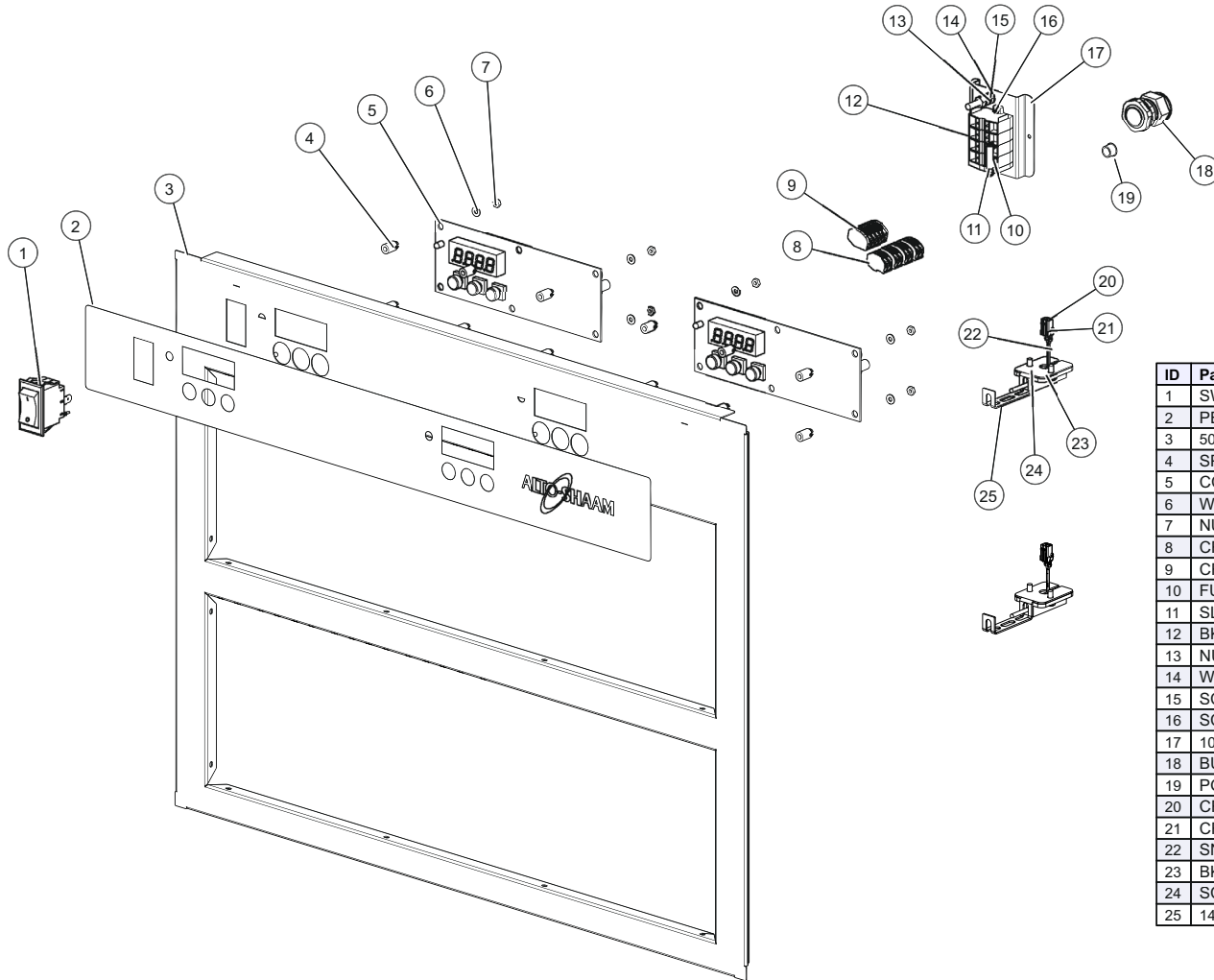
| ID | Part No. | Description |
|----|----------|---------------------------------|
| 1 | SW-34769 | SWITCH,ROCKER,125-277V,20A |
| 2 | PE-29685 | OVERLAY, 500-D, SIMPLE CONTROL |
| 3 | 5026553 | TRIM, FRONT, STUD ASSY |
| 4 | SP-29392 | SPACER, SNAP-IN, 7/16" FOR ELAN |
| 5 | CC-34970 | LOW COST ELAN WARMER CONTROL |
| 6 | WS-23148 | WASHER, 6-32, FLAT, NYL |
| 7 | NU-2361 | NUT, 6-32 HEX, S/S |
| 8 | CR-34646 | CONNECTOR-5 CONDUCTOR |
| 9 | CR-34502 | CONNECTOR, HOUSING, 2 PORTS |
| 10 | CR-34503 | CONNECTOR, RECTANGULAR CONTACTS |
| 11 | BK-29605 | BLOCK, SENSOR, ELEC. CONTROL |
| 12 | SC-22271 | SCREWS,M4-0.7X6MM PHIL |
| 13 | SN-38111 | SENSOR, 1000 OHM, 110" WIRE |
| 14 | 1493 | GUARD SENSOR,W/MW |
| 15 | PG-25574 | 3/8" HOLE PLUG |
| 16 | BU-3964 | BUSHING,STRAIGHT,STRAIN RELIEF |
| 17 | 1003936 | HI-LIMIT PROTECTION COVER |
| 18 | TT-33476 | THERMOSTAT, 300F HI-LIMIT |

Control Package "A", 120V, 500-2DN



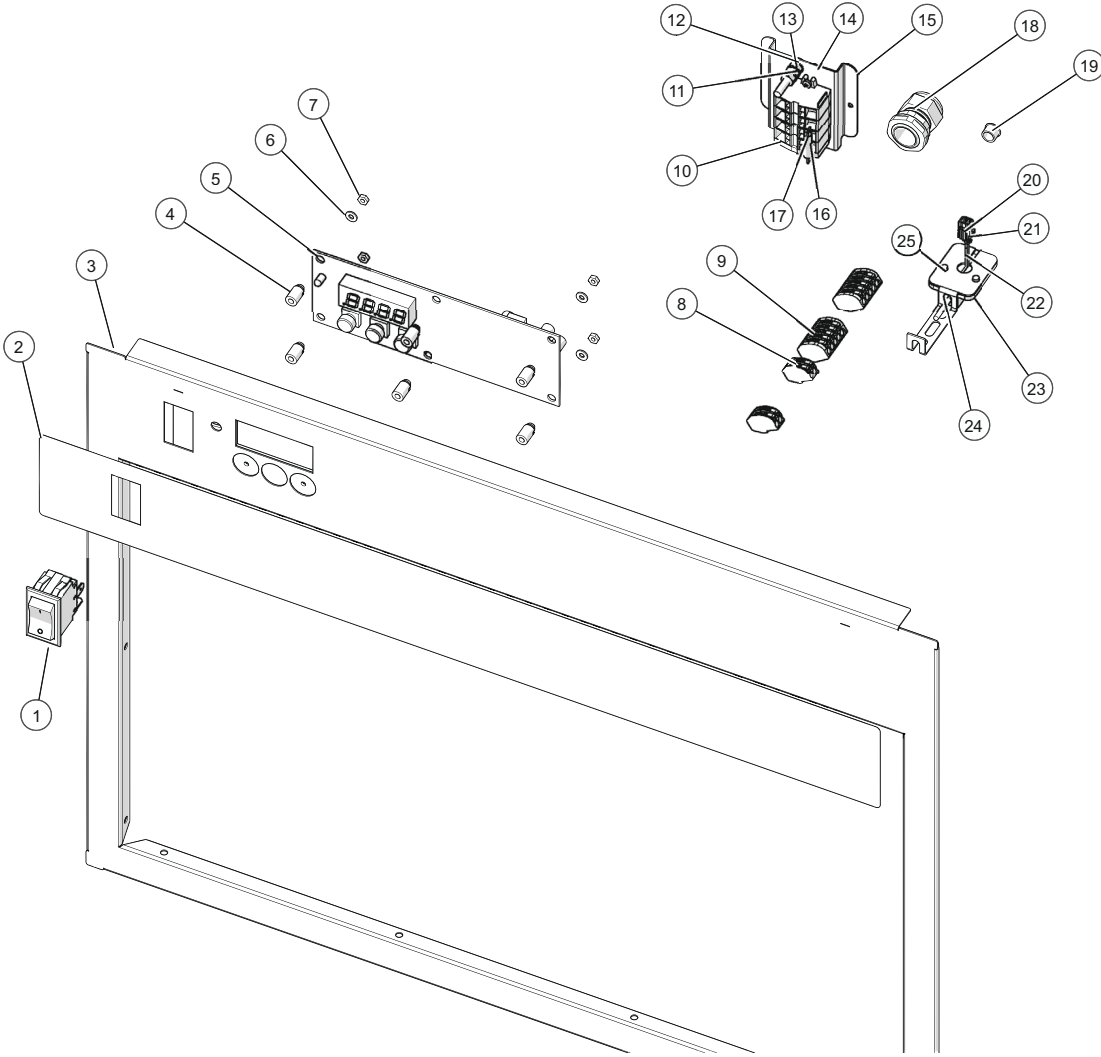
| ID | Part No. | Description |
|----|----------|---------------------------------|
| 1 | SW-34769 | SWITCH,ROCKER,125-277V,20A |
| 2 | PE-29686 | NARROW DRAWER WARMER OVERLAY |
| 3 | 5026551 | TRIM, FRONT, STUD ASSY |
| 4 | SP-29392 | SPACER, SNAP-IN, 7/16" FOR ELAN |
| 5 | CC-34970 | LOW COST ELAN WARMER CONTROL |
| 6 | WS-23148 | WASHER, 6-32, FLAT, NYL |
| 7 | NU-2361 | NUT, 6-32 HEX, S/S |
| 8 | CR-34646 | CONNECTOR-5 CONDUCTOR |
| 9 | PG-25574 | 3/8" HOLE PLUG |
| 10 | BU-3964 | BUSHING,STRAIGHT,STRAIN RELIEF |
| 11 | 1003936 | HI-LIMIT PROTECTION COVER |
| 12 | SC-22271 | SCREWS,M4-0.7X6MM PHIL |
| 13 | TT-33476 | THERMOSTAT, 300F HI-LIMIT |
| 14 | CR-34502 | CONNECTOR, HOUSING, 2 PORTS |
| 15 | CR-34503 | CONNECTOR, RECTANGULAR CONTACTS |
| 16 | SN-38111 | SENSOR, 1000 OHM, 110" WIRE |
| 17 | BK-29605 | BLOCK, SENSOR, ELEC. CONTROL |
| 18 | 1493 | GUARD SENSOR,W/MW |

Control Package "A", 120V, 500-2DI



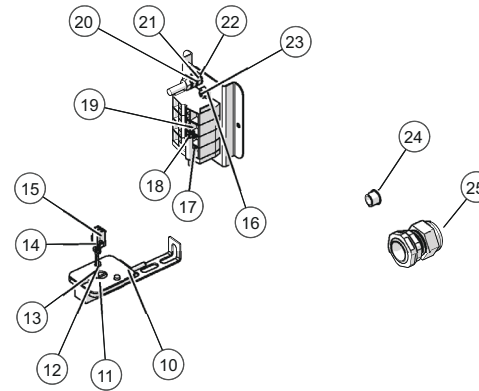
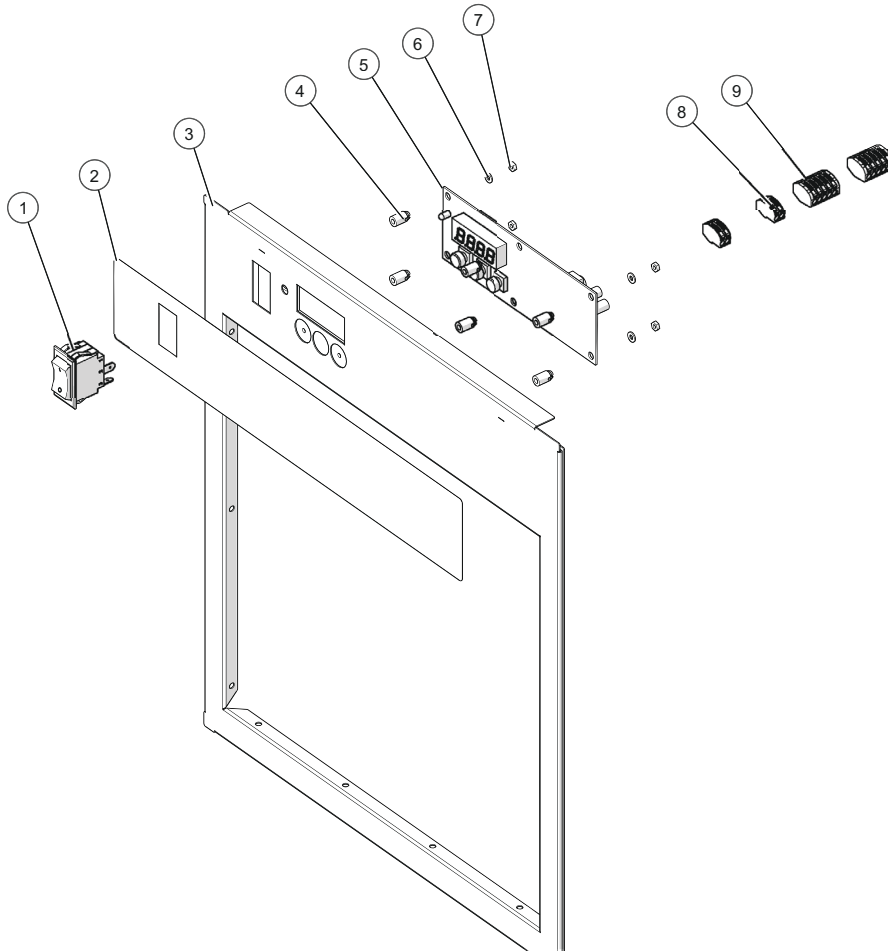
| ID | Part No. | Description |
|----|----------|---------------------------------|
| 1 | SW-34769 | SWITCH,ROCKER,125-277V,20A |
| 2 | PE-39429 | PANEL, OVERLAY, SIMPLE CONTROL |
| 3 | 5025390 | TRIM, FRONT, STUD ASSY, |
| 4 | SP-29392 | SPACER, SNAP-IN, 7/16" FOR ELAN |
| 5 | CC-34970 | LOW COST ELAN WARMER CONTROL |
| 6 | WS-23148 | WASHER, 6-32, FLAT, NYL |
| 7 | NU-2361 | NUT, 6-32 HEX, S/S |
| 8 | CR-34967 | CONNECTOR-2 CONDUCTOR |
| 9 | CR-34646 | CONNECTOR-5 CONDUCTOR |
| 10 | FU-46225 | FUSE, THERMAL CUTOFF, 212F |
| 11 | SL-3063 | SLEEVE,FIBER,HEAT TREAT |
| 12 | BK-46224 | BLOCK, MODULAR, 4 POLE, |
| 13 | NU-36234 | NUT, M5, KEPS |
| 14 | WS-2467 | WASHER, INT. LOCK |
| 15 | SC-38128 | SCREW,PAN PH, METRIC, M5 |
| 16 | SC-22266 | SCREW,M3x0.5X6MM PAN |
| 17 | 1029285 | BRACKET, OFFSET, TERMINAL |
| 18 | BU-3964 | BUSHING,STRAIGHT,STRAIN RELIEF |
| 19 | PG-25574 | 3/8" HOLE PLUG |
| 20 | CR-34502 | CONNECTOR, HOUSING, 2 PORTS |
| 21 | CR-34503 | CONNECTOR, RECTANGULAR CONTACTS |
| 22 | SN-38111 | SENSOR, 1000 OHM, 110" WIRE |
| 23 | BK-29605 | BLOCK, SENSOR, ELEC. CONTROL |
| 24 | SC-22273 | SCREW,M4x0.7X10MM PAN |
| 25 | 1493 | GUARD SENSOR,W/MW |

Control Package "B", 208-240V, 500-2D



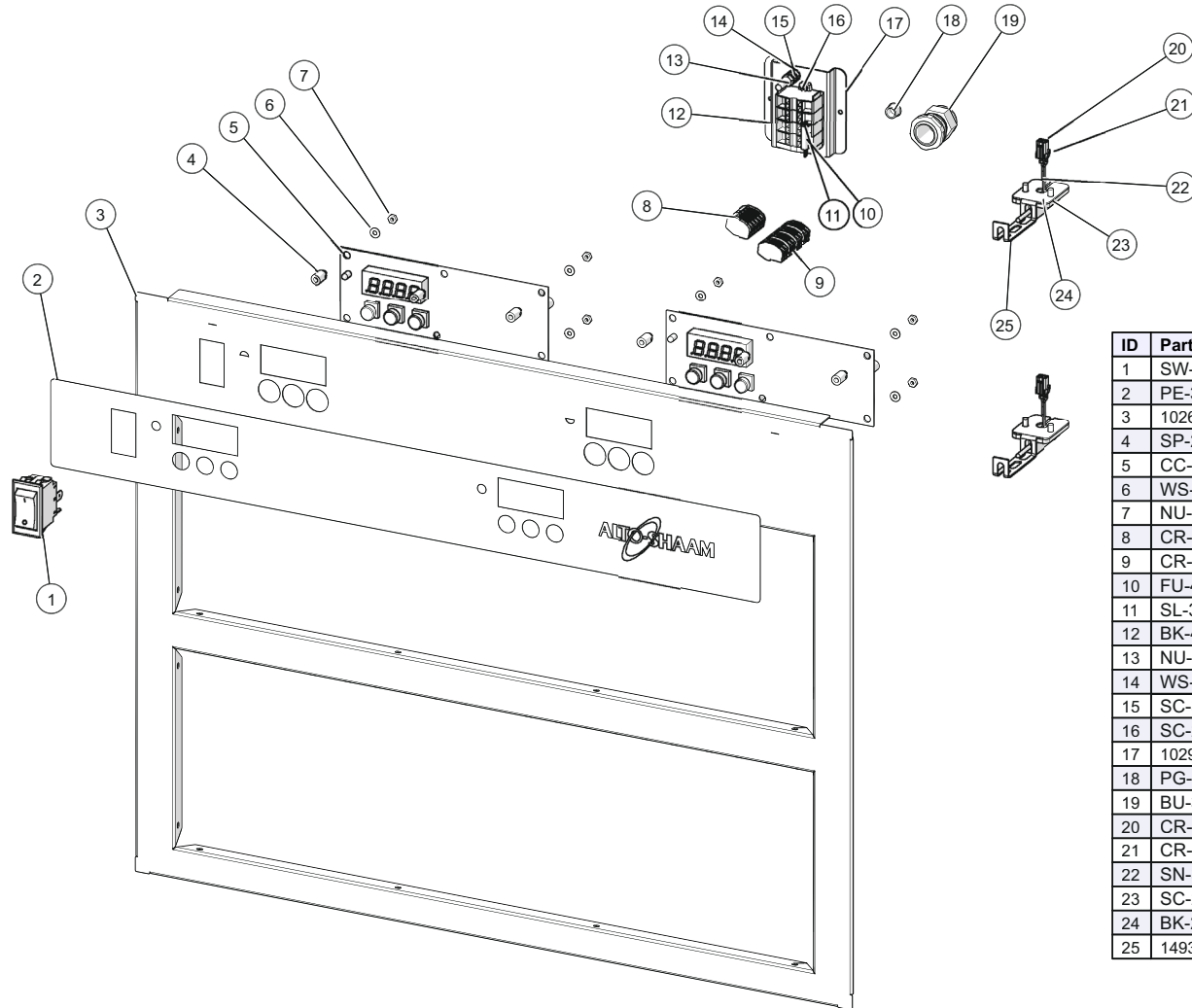
| ID | Part No. | Description |
|----|----------|---------------------------------|
| 1 | SW-34769 | SWITCH,ROCKER,125-277V,20A |
| 2 | PE-29685 | OVERLAY, 500-D, SIMPLE CONTROL |
| 3 | 5026553 | TRIM, FRONT, STUD ASSY |
| 4 | SP-29392 | SPACER, SNAP-IN, 7/16" FOR ELAN |
| 5 | CC-34970 | LOW COST ELAN WARMER CONTROL |
| 6 | WS-23148 | WASHER, 6-32, FLAT, NYL |
| 7 | NU-2361 | NUT, 6-32 HEX, S/S |
| 8 | CR-34967 | CONNECTOR-2 CONDUCTOR |
| 9 | CR-34646 | CONNECTOR-5 CONDUCTOR |
| 10 | BK-46224 | BLOCK, MODULAR, 4 POLE, |
| 11 | NU-36234 | NUT, M5, KEPS |
| 12 | WS-2467 | WASHER, INT. LOCK |
| 13 | SC-38128 | SCREW,PAN PH, METRIC, M5 |
| 14 | SC-22266 | SCREW,M3x0.5X6MM PAN |
| 15 | 1033464 | BRACKET, OFFSET, TERMINAL |
| 16 | FU-46225 | FUSE, THERMAL CUTOFF, 212F |
| 17 | SL-3063 | SLEEVE,FIBER,HEAT TREAT |
| 18 | BU-3964 | BUSHING,STRAIGHT,STRAIN RELIEF |
| 19 | PG-25574 | 3/8" HOLE PLUG |
| 20 | CR-34502 | CONNECTOR, HOUSING, 2 PORTS |
| 21 | CR-34503 | CONNECTOR, RECTANGULAR CONTACTS |
| 22 | SN-38111 | SENSOR, 1000 OHM, 110" WIRE |
| 23 | BK-29605 | BLOCK, SENSOR, ELEC. CONTROL |
| 24 | 1493 | GUARD SENSOR,W/MW |
| 25 | SC-22271 | SCREWS,M4-0.7X6MM PHIL |

Control Package "B", 208-240V, 500-2DN



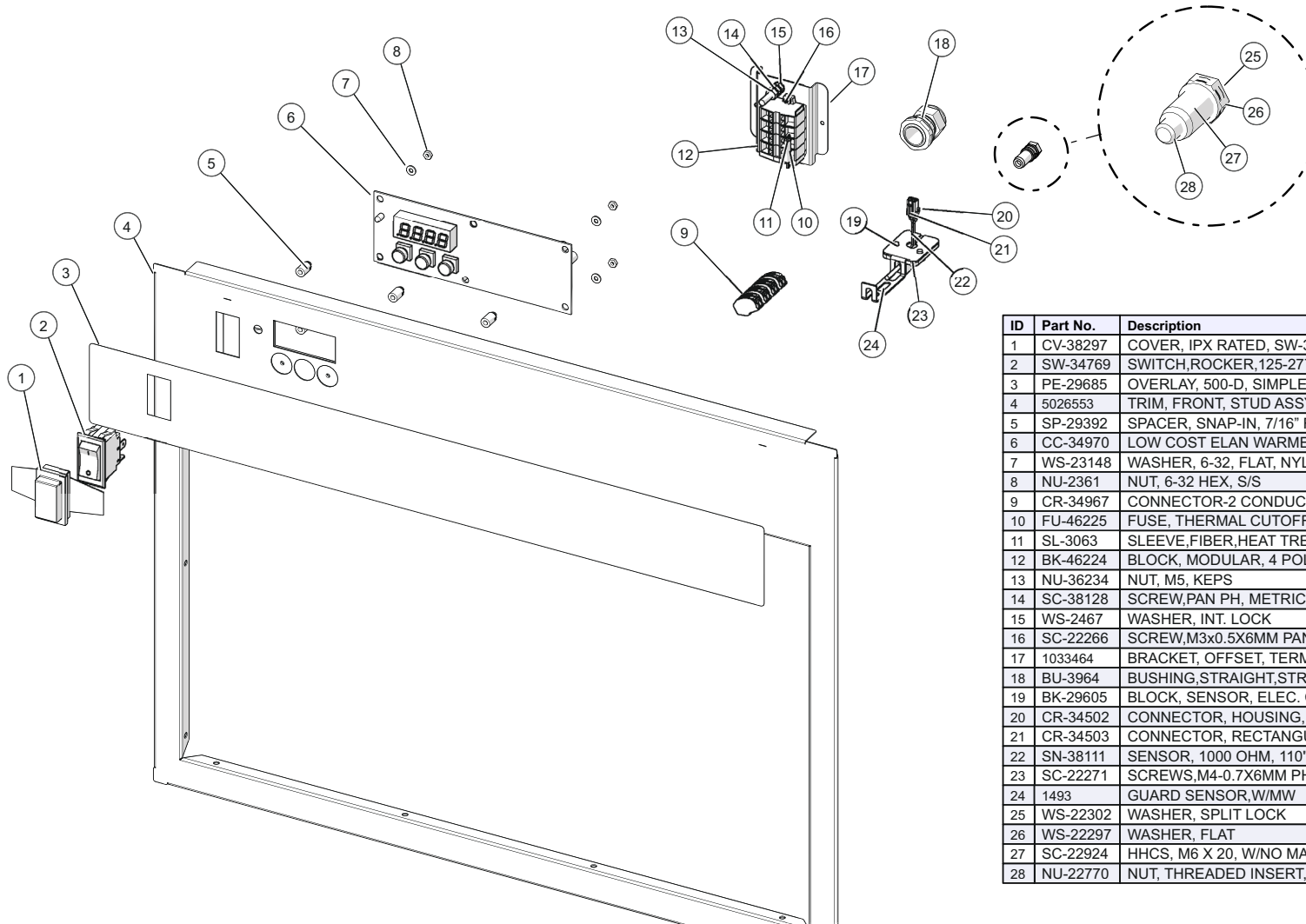
| ID | Part No. | Description |
|----|----------|---------------------------------|
| 1 | SW-34769 | SWITCH,ROCKER,125-277V,20A |
| 2 | PE-29686 | NARROW DRAWER WARMER OVERLAY |
| 3 | 5026551 | TRIM, FRONT, STUD ASSY |
| 4 | SP-29392 | SPACER, SNAP-IN, 7/16" FOR ELAN |
| 5 | CC-34970 | LOW COST ELAN WARMER CONTROL |
| 6 | WS-23148 | WASHER, 6-32, FLAT, NYL |
| 7 | NU-2361 | NUT, 6-32 HEX, S/S |
| 8 | CR-34967 | CONNECTOR-2 CONDUCTOR |
| 9 | CR-34646 | CONNECTOR-5 CONDUCTOR |
| 10 | 1493 | GUARD SENSOR,W/MW |
| 11 | BK-29605 | BLOCK, SENSOR, ELEC. CONTROL |
| 12 | SN-38111 | SENSOR, 1000 OHM, 110" WIRE |
| 13 | SC-22271 | SCREWS,M4-0.7X6MM PHIL |
| 14 | CR-34503 | CONNECTOR, RECTANGULAR CONTACTS |
| 15 | CR-34502 | CONNECTOR, HOUSING, 2 PORTS |
| 16 | 1033464 | BRACKET, OFFSET, TERMINAL |
| 17 | FU-46225 | FUSE, THERMAL CUTOFF, 212F |
| 18 | SL-3063 | SLEEVE,FIBER,HEAT TREAT |
| 19 | BK-46224 | BLOCK, MODULAR, 4 POLE, |
| 20 | NU-36234 | NUT, M5, KEPS |
| 21 | SC-38128 | SCREW,PAN PH, METRIC, M5 |
| 22 | WS-2467 | WASHER, INT. LOCK |
| 23 | SC-22266 | SCREW,M3x0.5X6MM PAN |
| 24 | PG-25574 | 3/8" HOLE PLUG |
| 25 | BU-3964 | BUSHING,STRAIGHT,STRAIN RELIEF |

Control Package "B", 208-240V, 500-2DI



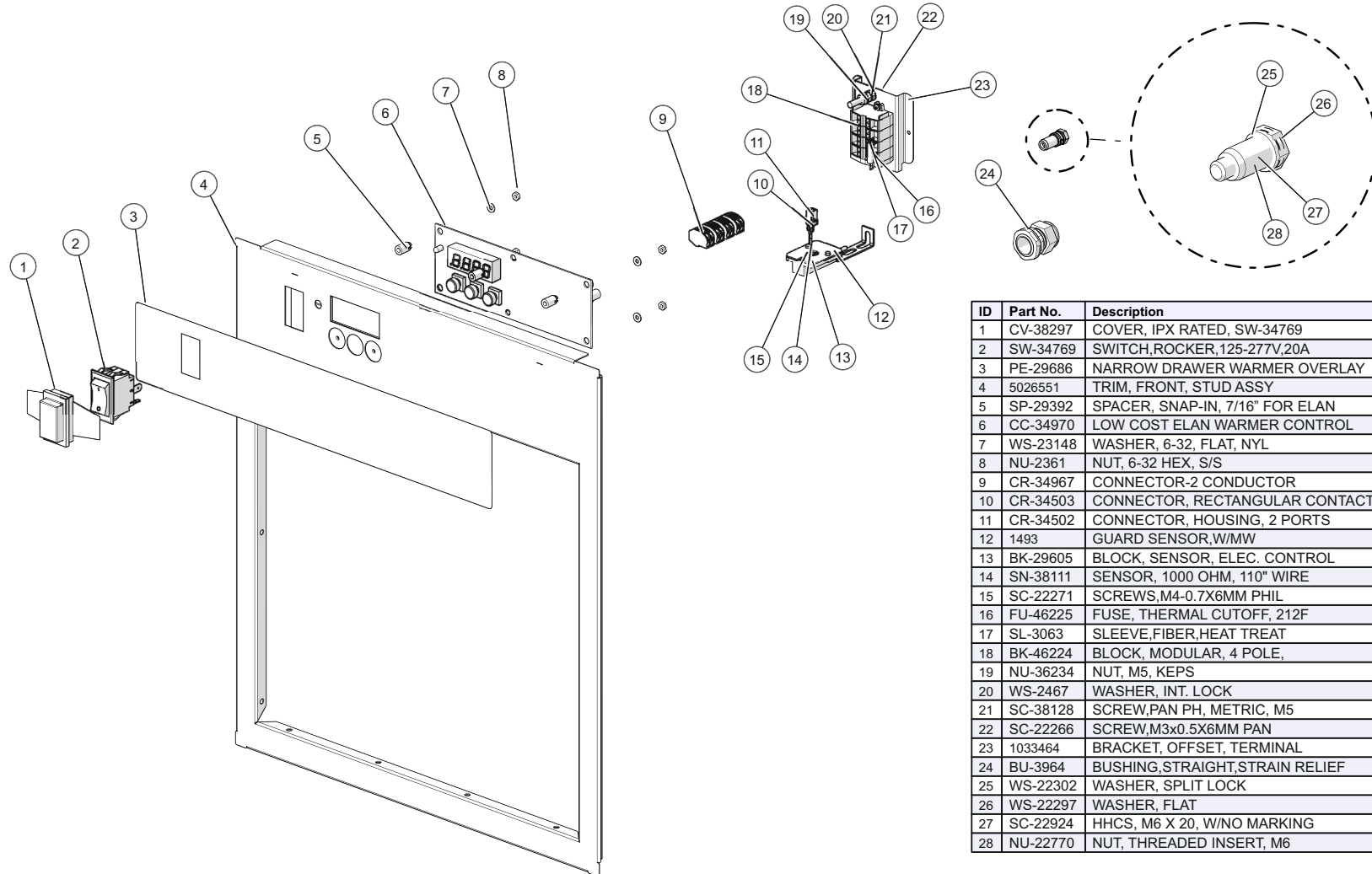
| ID | Part No. | Description |
|----|----------|---------------------------------|
| 1 | SW-34769 | SWITCH,ROCKER,125-277V,20A |
| 2 | PE-39429 | PANEL, OVERLAY, SIMPLE CONTROL |
| 3 | 1026123 | TRIM, FRONT, ELAN CONTROL |
| 4 | SP-29392 | SPACER, SNAP-IN, 7/16" FOR ELAN |
| 5 | CC-34970 | LOW COST ELAN WARMER CONTROL |
| 6 | WS-23148 | WASHER, 6-32, FLAT, NYL |
| 7 | NU-2361 | NUT, 6-32 HEX, S/S |
| 8 | CR-34646 | CONNECTOR-5 CONDUCTOR |
| 9 | CR-34967 | CONNECTOR-2 CONDUCTOR |
| 10 | FU-46225 | FUSE, THERMAL CUTOFF, 212F |
| 11 | SL-3063 | SLEEVE,FIBER,HEAT TREAT |
| 12 | BK-46224 | BLOCK, MODULAR, 4 POLE, |
| 13 | NU-36234 | NUT, M5, KEPS |
| 14 | WS-2467 | WASHER, INT. LOCK |
| 15 | SC-38128 | SCREW,PAN PH, METRIC, M5 |
| 16 | SC-22266 | SCREW,M3x0.5X6MM PAN |
| 17 | 1029285 | BRACKET, OFFSET, TERMINAL |
| 18 | PG-25574 | 3/8" HOLE PLUG |
| 19 | BU-3964 | BUSHING,STRAIGHT,STRAIN RELIEF |
| 20 | CR-34502 | CONNECTOR, HOUSING, 2 PORTS |
| 21 | CR-34503 | CONNECTOR, RECTANGULAR CONTACTS |
| 22 | SN-38111 | SENSOR, 1000 OHM, 110" WIRE |
| 23 | SC-22273 | SCREW,M4x0.7X10MM PAN |
| 24 | BK-29605 | BLOCK, SENSOR, ELEC. CONTROL |
| 25 | 1493 | GUARD SENSOR,W/MW |

Control Package "C", 230V, 500-2D



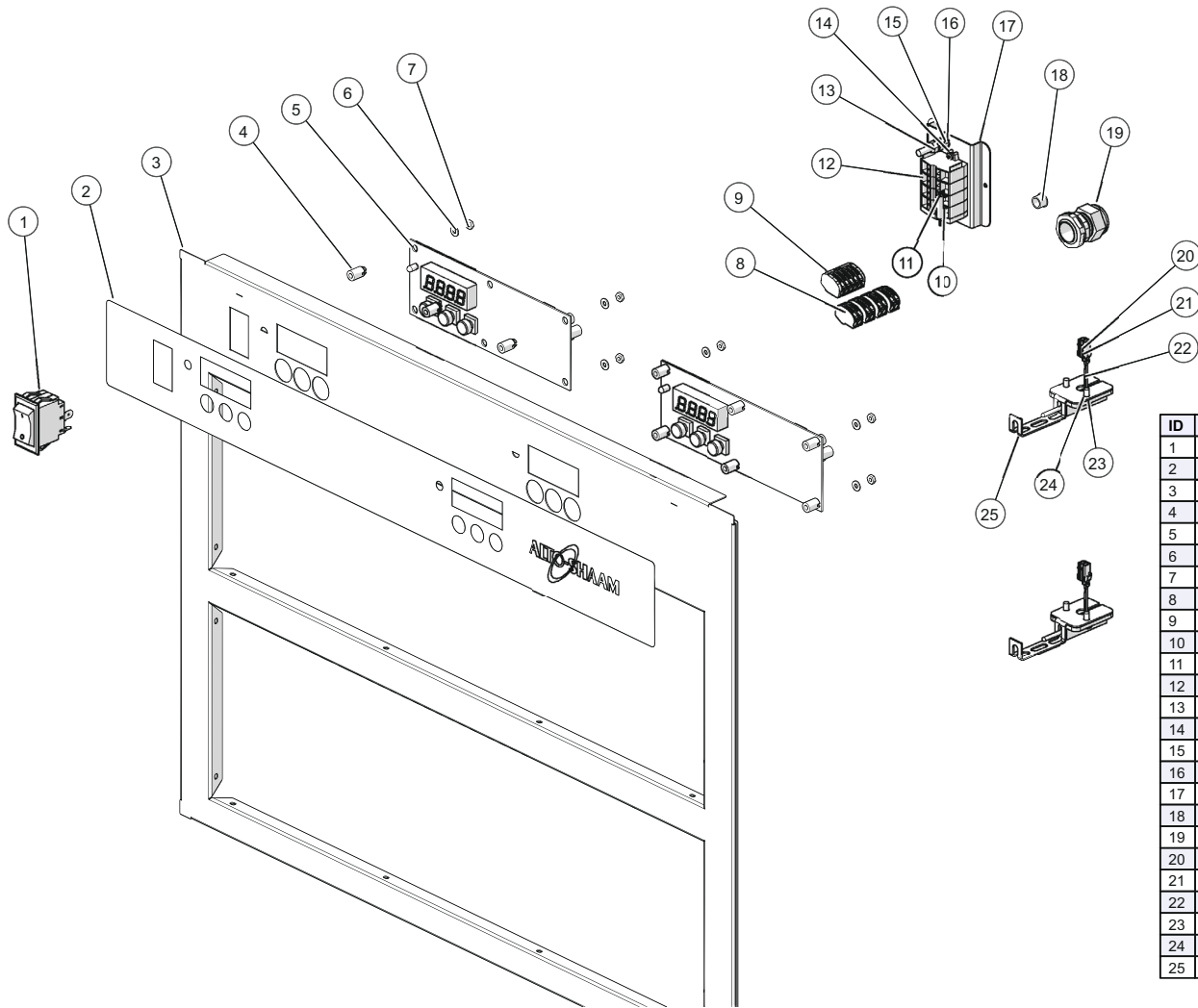
| ID | Part No. | Description |
|----|----------|---------------------------------|
| 1 | CV-38297 | COVER, IPX RATED, SW-34769 |
| 2 | SW-34769 | SWITCH,ROCKER,125-277V,20A |
| 3 | PE-29685 | OVERLAY, 500-D, SIMPLE CONTROL |
| 4 | 5026553 | TRIM, FRONT, STUD ASSY |
| 5 | SP-29392 | SPACER, SNAP-IN, 7/16" FOR ELAN |
| 6 | CC-34970 | LOW COST ELAN WARMER CONTROL |
| 7 | WS-23148 | WASHER, 6-32, FLAT, NYL |
| 8 | NU-2361 | NUT, 6-32 HEX, S/S |
| 9 | CR-34967 | CONNECTOR-2 CONDUCTOR |
| 10 | FU-46225 | FUSE, THERMAL CUTOFF, 212F |
| 11 | SL-3063 | SLEEVE,FIBER,HEAT TREAT |
| 12 | BK-46224 | BLOCK, MODULAR, 4 POLE, |
| 13 | NU-36234 | NUT, M5, KEPS |
| 14 | SC-38128 | SCREW,PAN PH, METRIC, M5 |
| 15 | WS-2467 | WASHER, INT. LOCK |
| 16 | SC-22266 | SCREW,M3x0.5X6MM PAN |
| 17 | 1033464 | BRACKET, OFFSET, TERMINAL |
| 18 | BU-3964 | BUSHING,STRAIGHT,STRAIN RELIEF |
| 19 | BK-29605 | BLOCK, SENSOR, ELEC. CONTROL |
| 20 | CR-34502 | CONNECTOR, HOUSING, 2 PORTS |
| 21 | CR-34503 | CONNECTOR, RECTANGULAR CONTACTS |
| 22 | SN-38111 | SENSOR, 1000 OHM, 110" WIRE |
| 23 | SC-22271 | SCREWS,M4-0.7X6MM PHIL |
| 24 | 1493 | GUARD SENSOR,W/MW |
| 25 | WS-22302 | WASHER, SPLIT LOCK |
| 26 | WS-22297 | WASHER, FLAT |
| 27 | SC-22924 | HHCS, M6 X 20, W/NO MARKING |
| 28 | NU-22770 | NUT, THREADED INSERT, M6 |

Control Package "C", 230V, 500-2DN



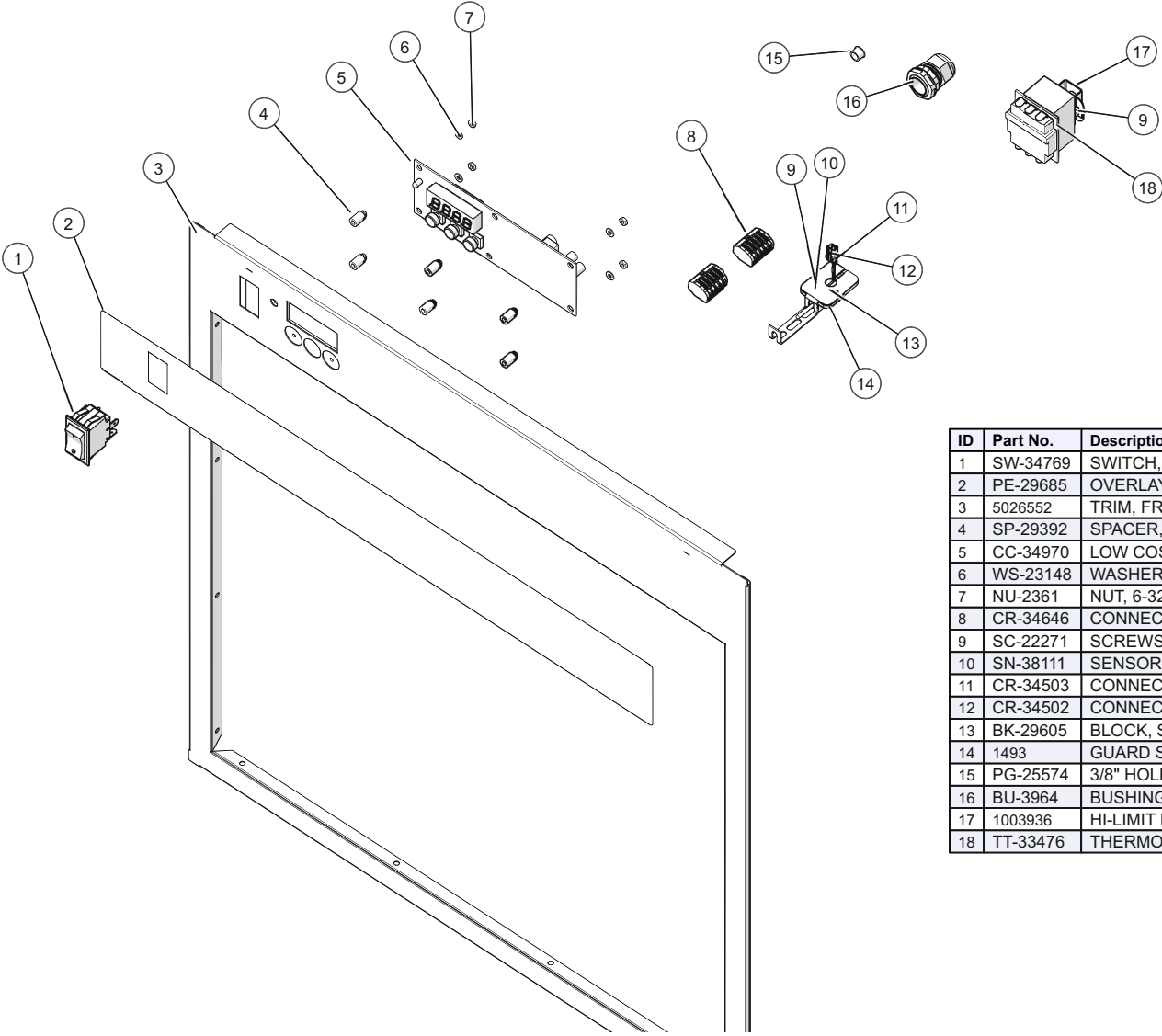
| ID | Part No. | Description |
|----|----------|---------------------------------|
| 1 | CV-38297 | COVER, IPX RATED, SW-34769 |
| 2 | SW-34769 | SWITCH,ROCKER,125-277V,20A |
| 3 | PE-29686 | NARROW DRAWER WARMER OVERLAY |
| 4 | 5026551 | TRIM, FRONT, STUD ASSY |
| 5 | SP-29392 | SPACER, SNAP-IN, 7/16" FOR ELAN |
| 6 | CC-34970 | LOW COST ELAN WARMER CONTROL |
| 7 | WS-23148 | WASHER, 6-32, FLAT, NYL |
| 8 | NU-2361 | NUT, 6-32 HEX, S/S |
| 9 | CR-34967 | CONNECTOR-2 CONDUCTOR |
| 10 | CR-34503 | CONNECTOR, RECTANGULAR CONTACTS |
| 11 | CR-34502 | CONNECTOR, HOUSING, 2 PORTS |
| 12 | 1493 | GUARD SENSOR,W/MW |
| 13 | BK-29605 | BLOCK, SENSOR, ELEC. CONTROL |
| 14 | SN-38111 | SENSOR, 1000 OHM, 110" WIRE |
| 15 | SC-22271 | SCREWS,M4-0.7X6MM PHIL |
| 16 | FU-46225 | FUSE, THERMAL CUTOFF, 212F |
| 17 | SL-3063 | SLEEVE,FIBER,HEAT TREAT |
| 18 | BK-46224 | BLOCK, MODULAR, 4 POLE, |
| 19 | NU-36234 | NUT, M5, KEPS |
| 20 | WS-2467 | WASHER, INT. LOCK |
| 21 | SC-38128 | SCREW,PAN PH, METRIC, M5 |
| 22 | SC-22266 | SCREW,M3x0.5X6MM PAN |
| 23 | 1033464 | BRACKET, OFFSET, TERMINAL |
| 24 | BU-3964 | BUSHING,STRAIGHT,STRAIN RELIEF |
| 25 | WS-22302 | WASHER, SPLIT LOCK |
| 26 | WS-22297 | WASHER, FLAT |
| 27 | SC-22924 | HHCS, M6 X 20, W/NO MARKING |
| 28 | NU-22770 | NUT, THREADED INSERT, M6 |

Control Package "C", 230V, 500-2DI



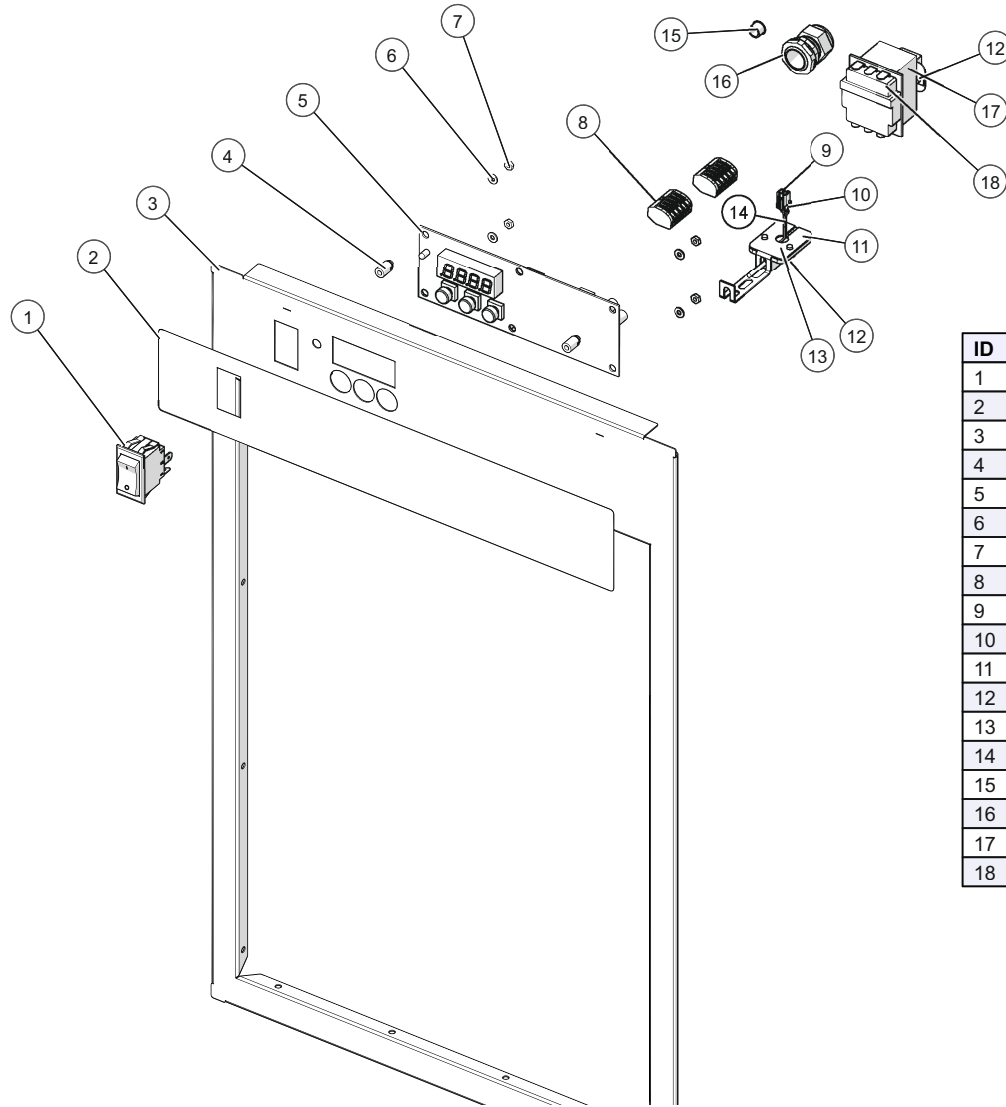
| ID | Part No. | Description |
|----|----------|---------------------------------|
| 1 | SW-34769 | SWITCH,ROCKER,125-277V,20A |
| 2 | PE-39429 | PANEL, OVERLAY, SIMPLE CONTROL |
| 3 | 1026123 | TRIM, FRONT, ELAN CONTROL |
| 4 | SP-29392 | SPACER, SNAP-IN, 7/16" FOR ELAN |
| 5 | CC-34970 | LOW COST ELAN WARMER CONTROL |
| 6 | WS-23148 | WASHER, 6-32, FLAT, NYL |
| 7 | NU-2361 | NUT, 6-32 HEX, S/S |
| 8 | CR-34967 | CONNECTOR-2 CONDUCTOR |
| 9 | CR-34646 | CONNECTOR-5 CONDUCTOR |
| 10 | FU-46225 | FUSE, THERMAL CUTOFF, 212F |
| 11 | SL-3063 | SLEEVE,FIBER,HEAT TREAT |
| 12 | BK-46224 | BLOCK, MODULAR, 4 POLE, |
| 13 | NU-36234 | NUT, M5, KEPS |
| 14 | SC-22266 | SCREW,M3x0.5X6MM PAN |
| 15 | SC-38128 | SCREW,PAN PH, METRIC, M5 |
| 16 | WS-2467 | WASHER, INT. LOCK |
| 17 | 1029285 | BRACKET, OFFSET, TERMINAL |
| 18 | PG-25574 | 3/8" HOLE PLUG |
| 19 | BU-3964 | BUSHING,STRAIGHT,STRAIN RELIEF |
| 20 | CR-34502 | CONNECTOR, HOUSING, 2 PORTS |
| 21 | CR-34503 | CONNECTOR, RECTANGULAR CONTACTS |
| 22 | SN-38111 | SENSOR, 1000 OHM, 110" WIRE |
| 23 | SC-22273 | SCREW,M4x0.7X10MM PAN |
| 24 | BK-29605 | BLOCK, SENSOR, ELEC. CONTROL |
| 25 | 1493 | GUARD SENSOR,W/MW |

Control Package "A", 120V, 500-3D



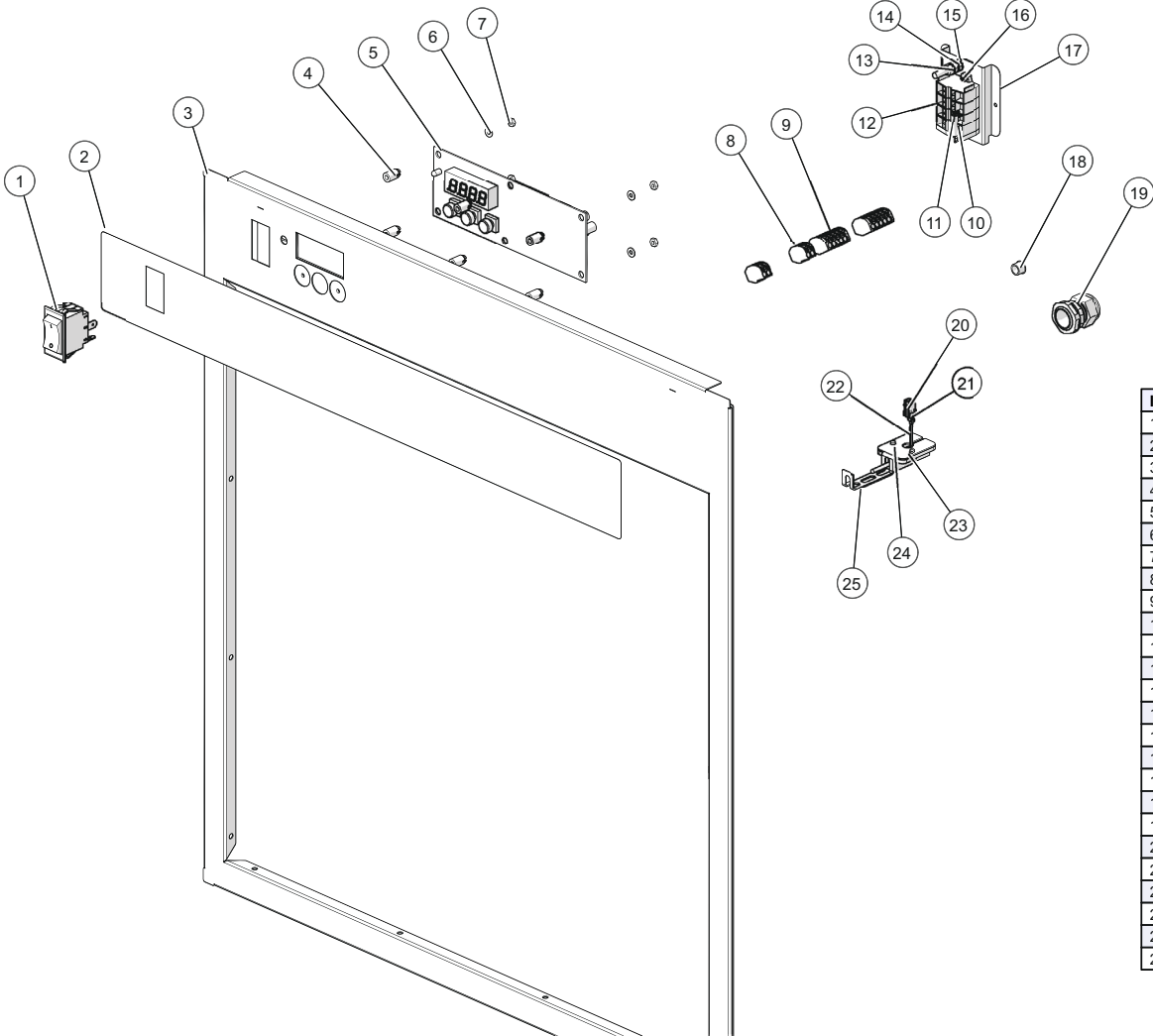
| ID | Part No. | Description |
|----|----------|---------------------------------|
| 1 | SW-34769 | SWITCH,ROCKER,125-277V,20A |
| 2 | PE-29685 | OVERLAY, 500-D, SIMPLE CONTROL |
| 3 | 5026552 | TRIM, FRONT, STUD ASSY |
| 4 | SP-29392 | SPACER, SNAP-IN, 7/16" FOR ELAN |
| 5 | CC-34970 | LOW COST ELAN WARMER CONTROL |
| 6 | WS-23148 | WASHER, 6-32, FLAT, NYL |
| 7 | NU-2361 | NUT, 6-32 HEX, S/S |
| 8 | CR-34646 | CONNECTOR-5 CONDUCTOR |
| 9 | SC-22271 | SCREWS,M4-0.7X6MM PHIL |
| 10 | SN-38111 | SENSOR, 1000 OHM, 110" WIRE |
| 11 | CR-34503 | CONNECTOR, RECTANGULAR CONTACTS |
| 12 | CR-34502 | CONNECTOR, HOUSING, 2 PORTS |
| 13 | BK-29605 | BLOCK, SENSOR, ELEC. CONTROL |
| 14 | 1493 | GUARD SENSOR,W/MW |
| 15 | PG-25574 | 3/8" HOLE PLUG |
| 16 | BU-3964 | BUSHING,STRAIGHT,STRAIN RELIEF |
| 17 | 1003936 | HI-LIMIT PROTECTION COVER |
| 18 | TT-33476 | THERMOSTAT, 300F HI-LIMIT |

Control Package "A", 120V, 500-3DN



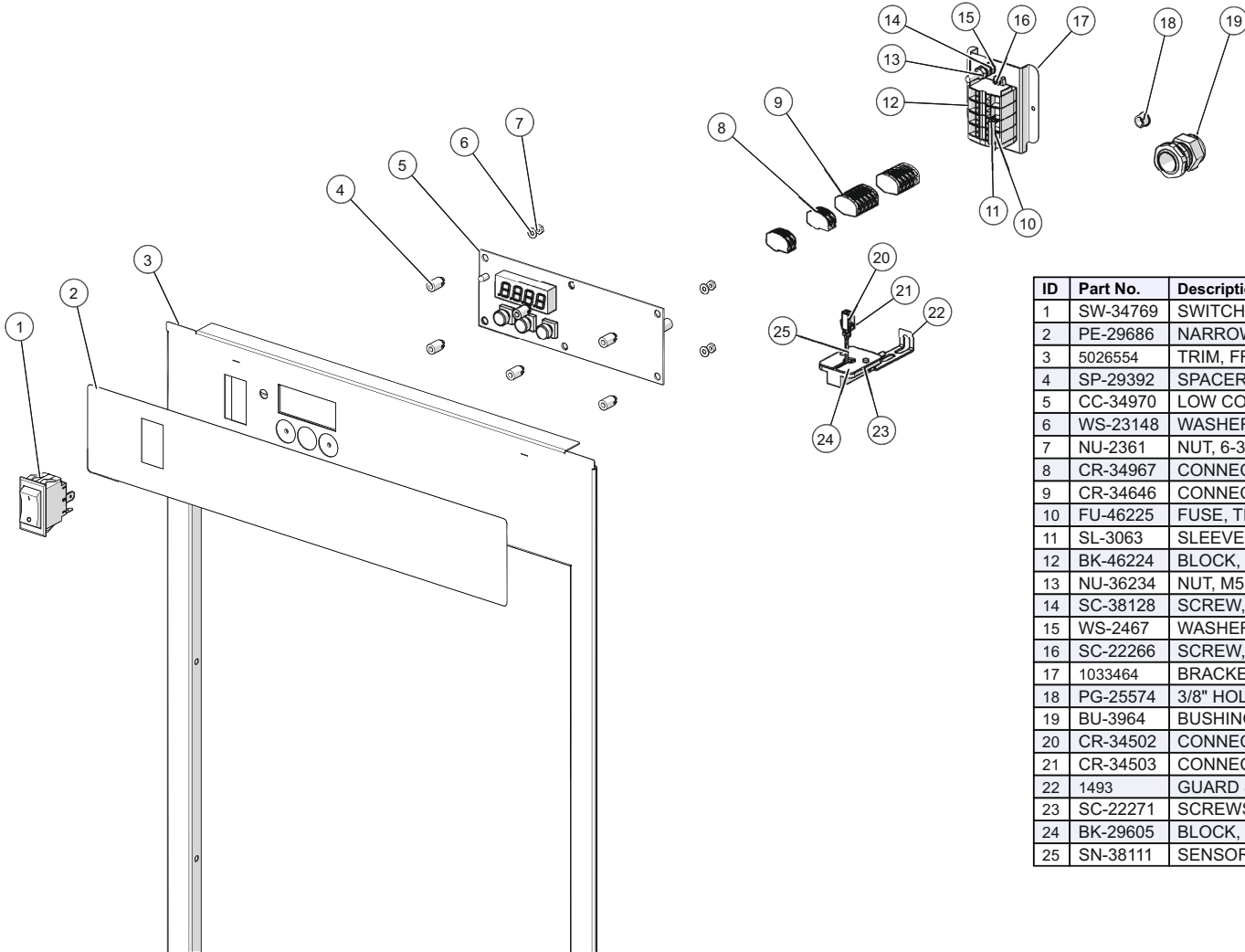
| ID | Part No. | Description |
|----|----------|----------------------------------|
| 1 | SW-34769 | SWITCH,ROCKER,125-277V,20A |
| 2 | PE-29686 | NARROW DRAWER WARMER OVERLAY |
| 3 | 5026554 | TRIM, FRONT, STUD ASSY |
| 4 | SP-29392 | SPACER, SNAP-IN, 7/16" FOR ELAN |
| 5 | CC-34970 | LOW COST ELAN WARMER CONTROL |
| 6 | WS-23148 | WASHER, 6-32, FLAT, NYL |
| 7 | NU-2361 | NUT, 6-32 HEX, S/S |
| 8 | CR-34646 | CONNECTOR-5 CONDUCTOR |
| 9 | CR-34502 | CONNECTOR, HOUSING, 2 PORTS |
| 10 | CR-34503 | CONNECTOR, RECTANGULAR CONTACTS |
| 11 | 1493 | GUARD SENSOR,W/MW |
| 12 | SC-22271 | SCREWS,M4-0.7X6MM PHIL |
| 13 | BK-29605 | BLOCK, SENSOR, ELEC. CONTROL |
| 14 | SN-38111 | SENSOR, 1000 OHM, 110" WIRE |
| 15 | PG-25574 | 3/8" HOLE PLUG |
| 16 | BU-3964 | BUSHING, STRAIGHT, STRAIN RELIEF |
| 17 | 1003936 | HI-LIMIT PROTECTION COVER |
| 18 | TT-33476 | THERMOSTAT, 300F HI-LIMIT |

Control Package "B", 208-240V, 500-3D



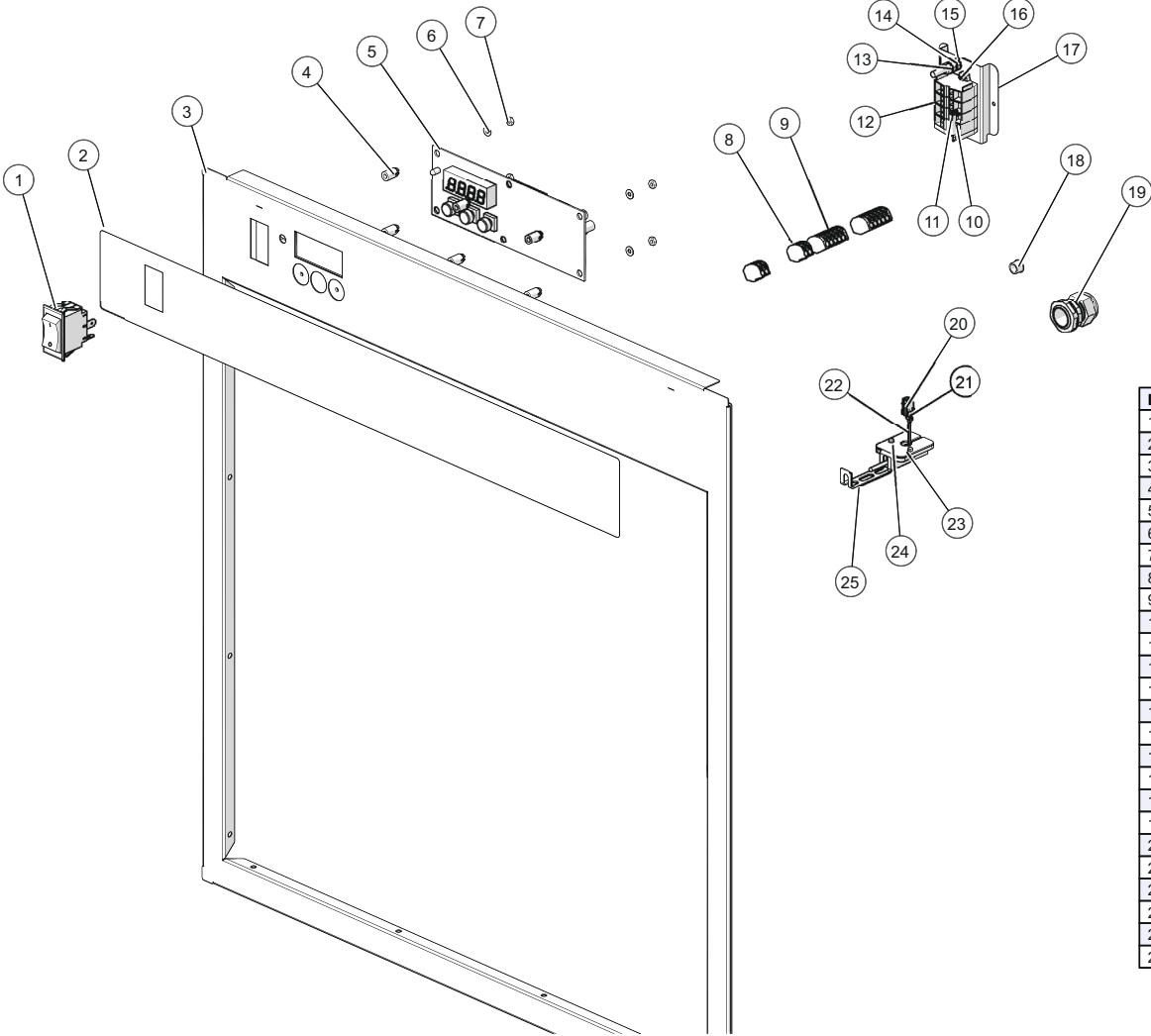
| ID | Part No. | Description |
|----|----------|---------------------------------|
| 1 | SW-34769 | SWITCH,ROCKER,125-277V,20A |
| 2 | PE-29685 | OVERLAY, 500-D, SIMPLE CONTROL |
| 3 | 5026552 | TRIM, FRONT, STUD ASSY |
| 4 | SP-29392 | SPACER, SNAP-IN, 7/16" FOR ELAN |
| 5 | CC-34970 | LOW COST ELAN WARMER CONTROL |
| 6 | WS-23148 | WASHER, 6-32, FLAT, NYL |
| 7 | NU-2361 | NUT, 6-32 HEX, S/S |
| 8 | CR-34967 | CONNECTOR-2 CONDUCTOR |
| 9 | CR-34646 | CONNECTOR-5 CONDUCTOR |
| 10 | FU-46225 | FUSE, THERMAL CUTOFF, 212F |
| 11 | SL-3063 | SLEEVE,FIBER,HEAT TREAT |
| 12 | BK-46224 | BLOCK, MODULAR, 4 POLE, |
| 13 | NU-36234 | NUT, M5, KEPS |
| 14 | SC-38128 | SCREW,PAN PH, METRIC, M5 |
| 15 | WS-2467 | WASHER, INT. LOCK |
| 16 | SC-22266 | SCREW,M3x0.5X6MM PAN |
| 17 | 1033464 | BRACKET, OFFSET, TERMINAL |
| 18 | PG-25574 | 3/8" HOLE PLUG |
| 19 | BU-3964 | BUSHING,STRAIGHT,STRAIN RELIEF |
| 20 | CR-34502 | CONNECTOR, HOUSING, 2 PORTS |
| 21 | CR-34503 | CONNECTOR, RECTANGULAR CONTACTS |
| 22 | SN-38111 | SENSOR, 1000 OHM, 110" WIRE |
| 23 | BK-29605 | BLOCK, SENSOR, ELEC. CONTROL |
| 24 | SC-22271 | SCREWS,M4-0.7X6MM PHIL |
| 25 | 1493 | GUARD SENSOR,W/MW |

Control Package "B", 208-240V, 500-3DN



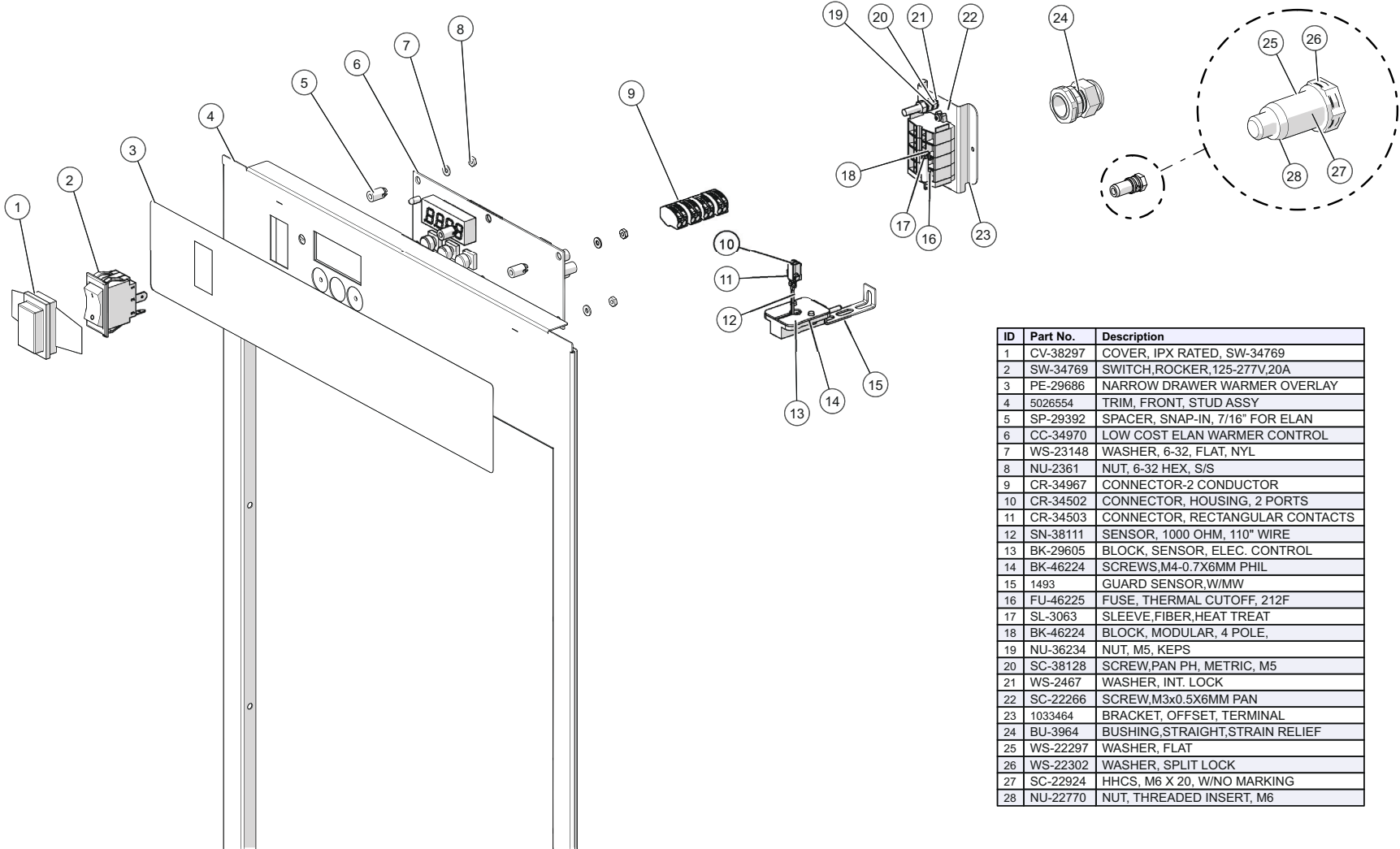
| ID | Part No. | Description |
|----|----------|---------------------------------|
| 1 | SW-34769 | SWITCH,ROCKER,125-277V,20A |
| 2 | PE-29686 | NARROW DRAWER WARMER OVERLAY |
| 3 | 5026554 | TRIM, FRONT, STUD ASSY |
| 4 | SP-29392 | SPACER, SNAP-IN, 7/16" FOR ELAN |
| 5 | CC-34970 | LOW COST ELAN WARMER CONTROL |
| 6 | WS-23148 | WASHER, 6-32, FLAT, NYL |
| 7 | NU-2361 | NUT, 6-32 HEX, S/S |
| 8 | CR-34967 | CONNECTOR-2 CONDUCTOR |
| 9 | CR-34646 | CONNECTOR-5 CONDUCTOR |
| 10 | FU-46225 | FUSE, THERMAL CUTOFF, 212F |
| 11 | SL-3063 | SLEEVE,FIBER,HEAT TREAT |
| 12 | BK-46224 | BLOCK, MODULAR, 4 POLE, |
| 13 | NU-36234 | NUT, M5, KEPS |
| 14 | SC-38128 | SCREW,PAN PH, METRIC, M5 |
| 15 | WS-2467 | WASHER, INT. LOCK |
| 16 | SC-22266 | SCREW,M3x0.5X6MM PAN |
| 17 | 1033464 | BRACKET, OFFSET, TERMINAL |
| 18 | PG-25574 | 3/8" HOLE PLUG |
| 19 | BU-3964 | BUSHING,STRAIGHT,STRAIN RELIEF |
| 20 | CR-34502 | CONNECTOR, HOUSING, 2 PORTS |
| 21 | CR-34503 | CONNECTOR, RECTANGULAR CONTACTS |
| 22 | 1493 | GUARD SENSOR,W/MW |
| 23 | SC-22271 | SCREWS,M4-0.7X6MM PHIL |
| 24 | BK-29605 | BLOCK, SENSOR, ELEC. CONTROL |
| 25 | SN-38111 | SENSOR, 1000 OHM, 110" WIRE |

Control Package "C", 230V, 500-3D



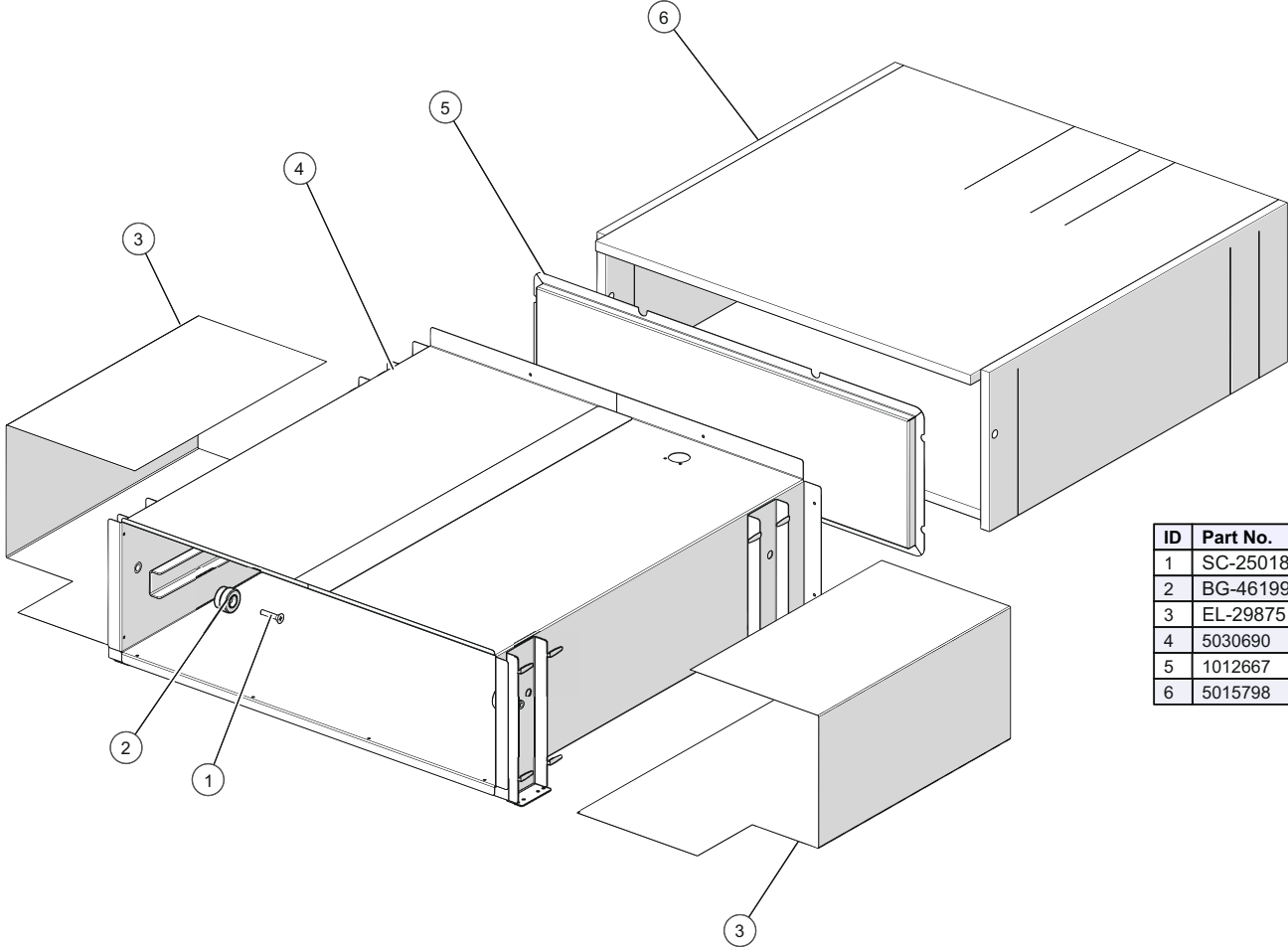
| ID | Part No. | Description |
|----|----------|---------------------------------|
| 1 | SW-34769 | SWITCH,ROCKER,125-277V,20A |
| 2 | PE-29685 | OVERLAY, 500-D, SIMPLE CONTROL |
| 3 | 5026552 | TRIM, FRONT, STUD ASSY |
| 4 | SP-29392 | SPACER, SNAP-IN, 7/16" FOR ELAN |
| 5 | CC-34970 | LOW COST ELAN WARMER CONTROL |
| 6 | WS-23148 | WASHER, 6-32, FLAT, NYL |
| 7 | NU-2361 | NUT, 6-32 HEX, S/S |
| 8 | CR-34967 | CONNECTOR-2 CONDUCTOR |
| 9 | CR-34646 | CONNECTOR-5 CONDUCTOR |
| 10 | FU-46225 | FUSE, THERMAL CUTOFF, 212F |
| 11 | SL-3063 | SLEEVE,FIBER,HEAT TREAT |
| 12 | BK-46224 | BLOCK, MODULAR, 4 POLE, |
| 13 | NU-36234 | NUT, M5, KEPS |
| 14 | SC-38128 | SCREW,PAN PH, METRIC, M5 |
| 15 | WS-2467 | WASHER, INT. LOCK |
| 16 | SC-22266 | SCREW,M3x0.5X6MM PAN |
| 17 | 1033464 | BRACKET, OFFSET, TERMINAL |
| 18 | PG-25574 | 3/8" HOLE PLUG |
| 19 | BU-3964 | BUSHING,STRAIGHT,STRAIN RELIEF |
| 20 | CR-34502 | CONNECTOR, HOUSING, 2 PORTS |
| 21 | CR-34503 | CONNECTOR, RECTANGULAR CONTACTS |
| 22 | SN-38111 | SENSOR, 1000 OHM, 110" WIRE |
| 23 | BK-29605 | BLOCK, SENSOR, ELEC. CONTROL |
| 24 | SC-22271 | SCREWS,M4-0.7X6MM PHIL |
| 25 | 1493 | GUARD SENSOR,W/MW |

Control Package "C", 230V, 500-3DN



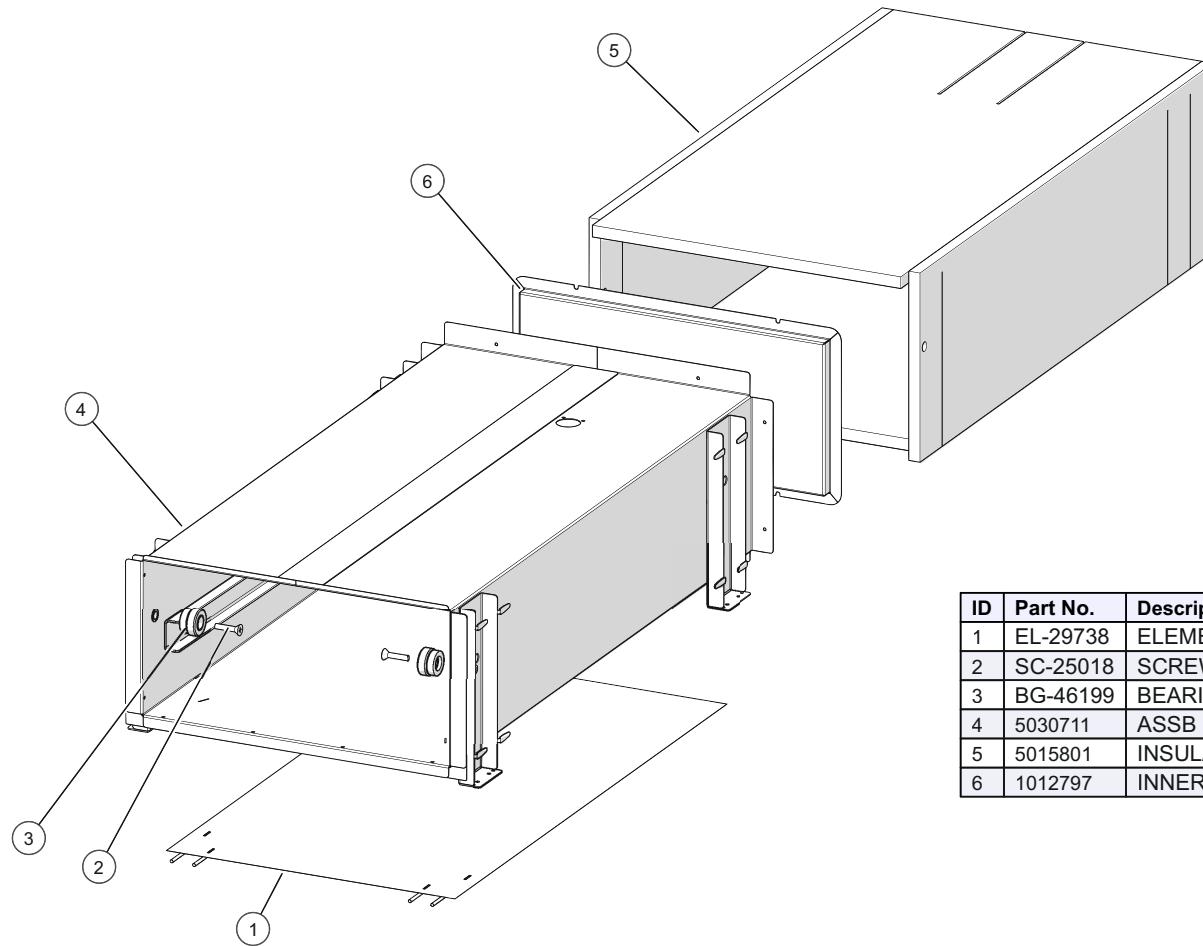
| ID | Part No. | Description |
|----|----------|---------------------------------|
| 1 | CV-38297 | COVER, IPX RATED, SW-34769 |
| 2 | SW-34769 | SWITCH,ROCKER,125-277V,20A |
| 3 | PE-29686 | NARROW DRAWER WARMER OVERLAY |
| 4 | 5026554 | TRIM, FRONT, STUD ASSY |
| 5 | SP-29392 | SPACER, SNAP-IN, 7/16" FOR ELAN |
| 6 | CC-34970 | LOW COST ELAN WARMER CONTROL |
| 7 | WS-23148 | WASHER, 6-32, FLAT, NYL |
| 8 | NU-2361 | NUT, 6-32 HEX, S/S |
| 9 | CR-34967 | CONNECTOR-2 CONDUCTOR |
| 10 | CR-34502 | CONNECTOR, HOUSING, 2 PORTS |
| 11 | CR-34503 | CONNECTOR, RECTANGULAR CONTACTS |
| 12 | SN-38111 | SENSOR, 1000 OHM, 110° WIRE |
| 13 | BK-29605 | BLOCK, SENSOR, ELEC. CONTROL |
| 14 | BK-46224 | SCREWS,M4-0.7X6MM PHIL |
| 15 | 1493 | GUARD SENSOR,W/MW |
| 16 | FU-46225 | FUSE, THERMAL CUTOFF, 212F |
| 17 | SL-3063 | SLEEVE,FIBER,HEAT TREAT |
| 18 | BK-46224 | BLOCK, MODULAR, 4 POLE, |
| 19 | NU-36234 | NUT, M5, KEPS |
| 20 | SC-38128 | SCREW,PAN PH. METRIC, M5 |
| 21 | WS-2467 | WASHER, INT. LOCK |
| 22 | SC-22266 | SCREW,M3x0.5X6MM PAN |
| 23 | 1033464 | BRACKET, OFFSET, TERMINAL |
| 24 | BU-3964 | BUSHING,STRAIGHT,STRAIN RELIEF |
| 25 | WS-22297 | WASHER, FLAT |
| 26 | WS-22302 | WASHER, SPLIT LOCK |
| 27 | SC-22924 | HHCS, M6 X 20, W/NO MARKING |
| 28 | NU-22770 | NUT, THREADED INSERT, M6 |

Cavity Package "A", 500-1D



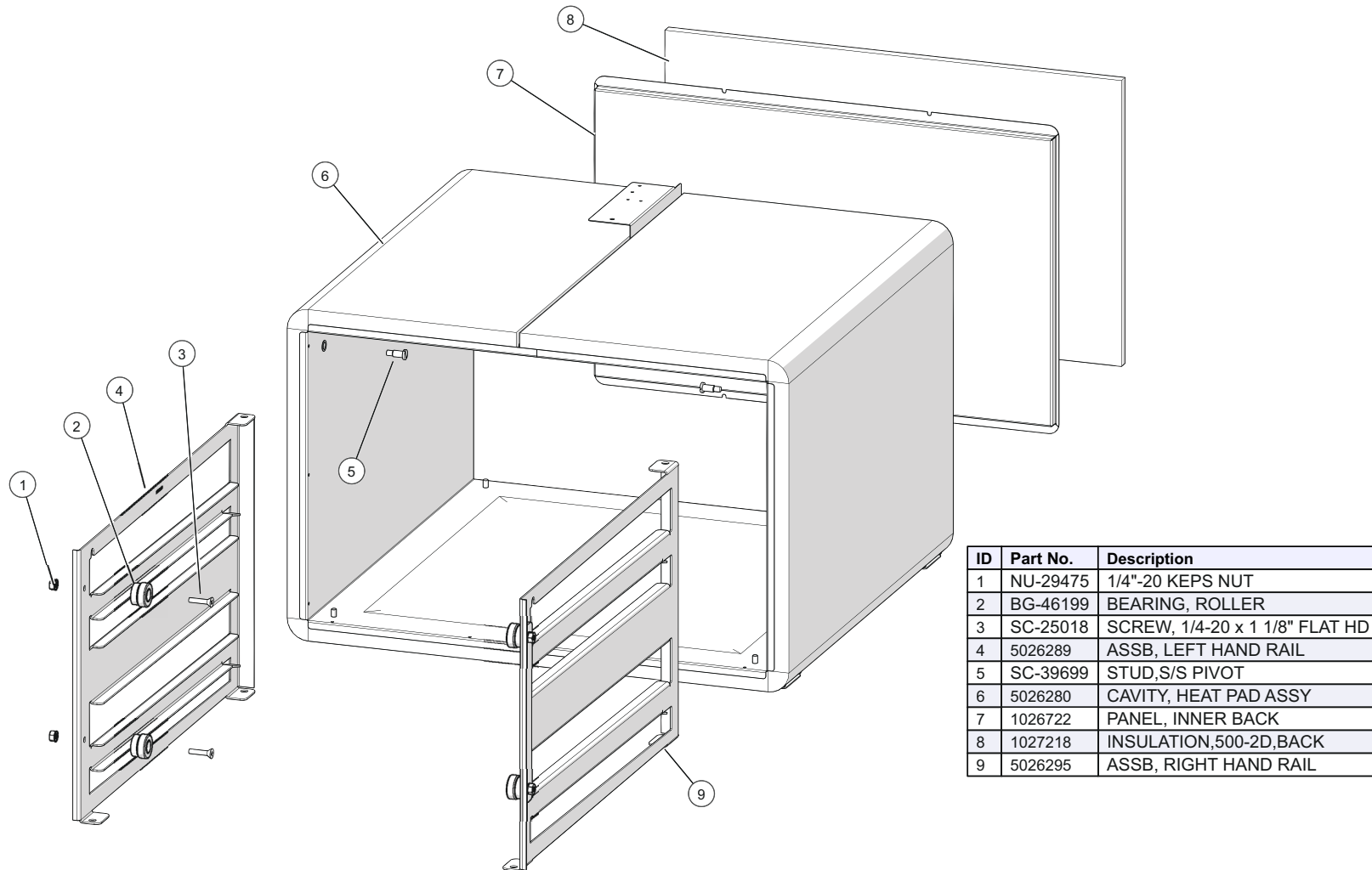
| ID | Part No. | Description |
|----|----------|--------------------------------|
| 1 | SC-25018 | 1/4-20 x 1 1/8" FLAT HD |
| 2 | BG-46199 | BEARING, ROLLER |
| 3 | EL-29875 | ELEMENT, 320W, FOIL PAD HEATER |
| 4 | 5030690 | ASSB SPOT, TUBE |
| 5 | 1012667 | PANEL, INNER BACK, 500-1D |
| 6 | 5015798 | INSULATION PACKAGE, 500-1D |

Cavity Package "A", 500-1DN



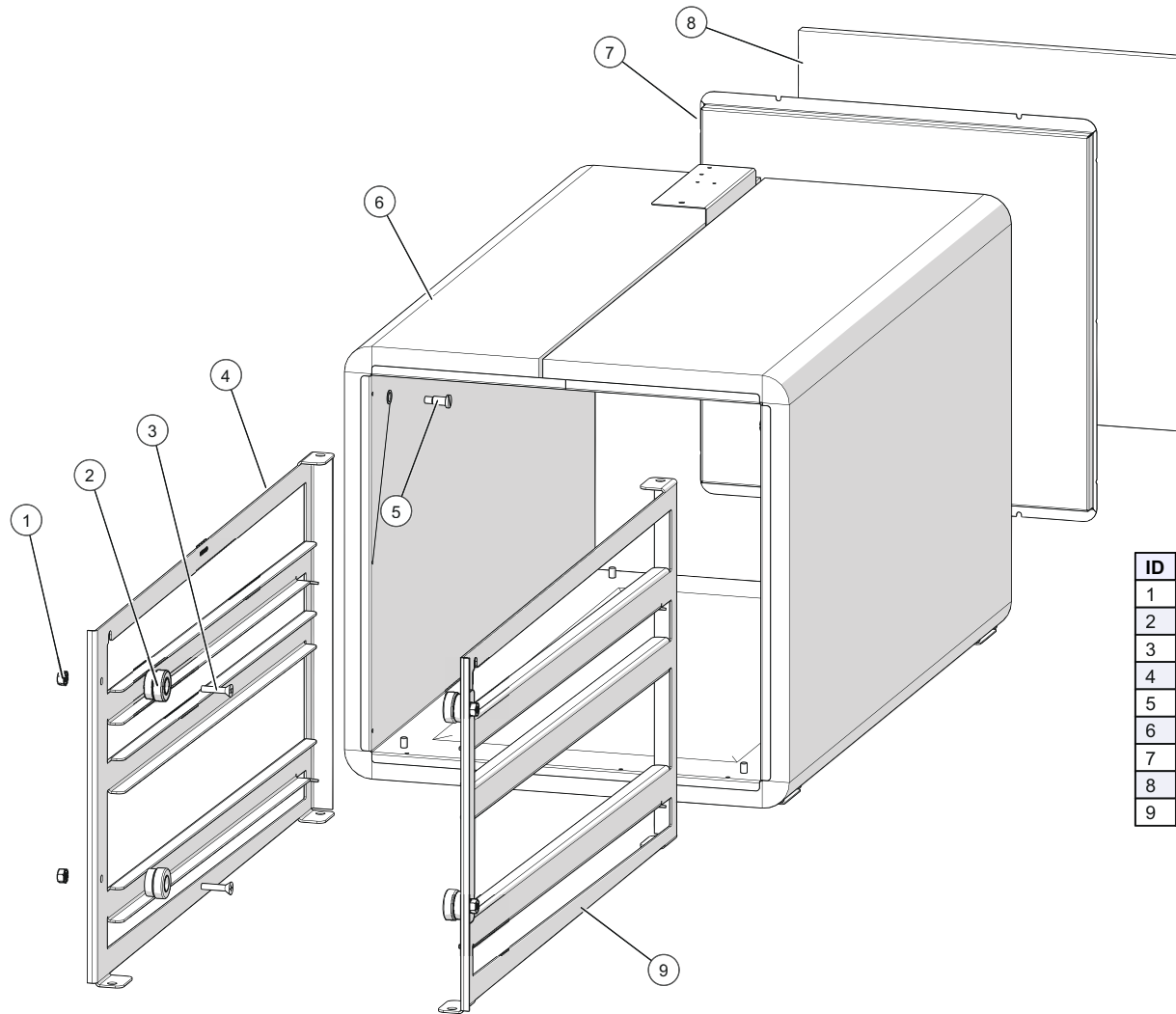
| ID | Part No. | Description |
|----|----------|--------------------------------|
| 1 | EL-29738 | ELEMENT, 640W, FOIL PAD HEATER |
| 2 | SC-25018 | SCREW, 1/4-20 x 1 1/8" FLAT HD |
| 3 | BG-46199 | BEARING, ROLLER |
| 4 | 5030711 | ASSB SPOT, TUBE |
| 5 | 5015801 | INSULATION PACKAGE |
| 6 | 1012797 | INNER BACK PANEL, 500-1DN |

Cavity Package "A", 500-2D



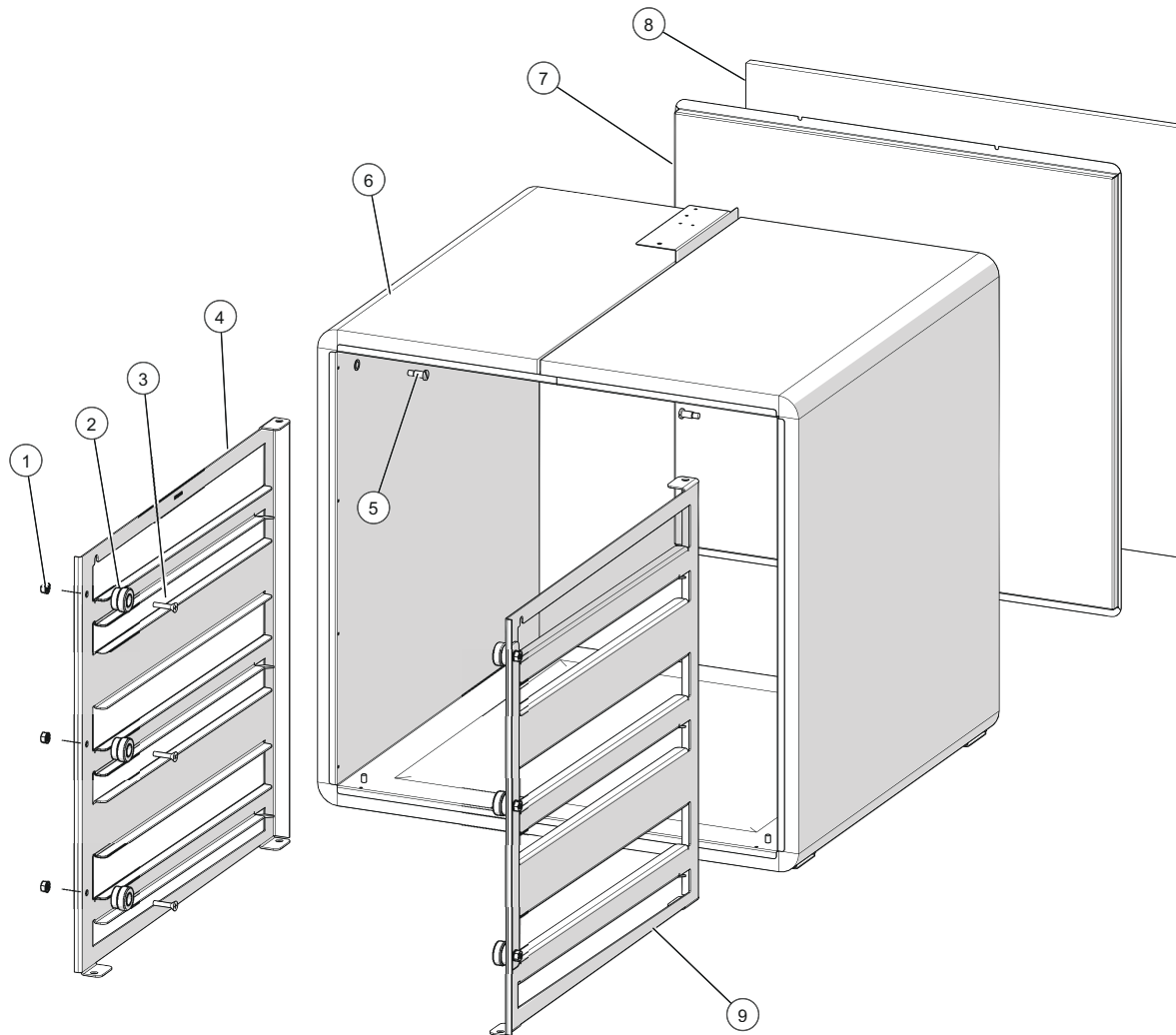
| ID | Part No. | Description |
|----|----------|--------------------------------|
| 1 | NU-29475 | 1/4"-20 KEPS NUT |
| 2 | BG-46199 | BEARING, ROLLER |
| 3 | SC-25018 | SCREW, 1/4-20 x 1 1/8" FLAT HD |
| 4 | 5026289 | ASSB, LEFT HAND RAIL |
| 5 | SC-39699 | STUD,S/S PIVOT |
| 6 | 5026280 | CAVITY, HEAT PAD ASSY |
| 7 | 1026722 | PANEL, INNER BACK |
| 8 | 1027218 | INSULATION,500-2D,BACK |
| 9 | 5026295 | ASSB, RIGHT HAND RAIL |

Cavity Package "A", 500-2DN



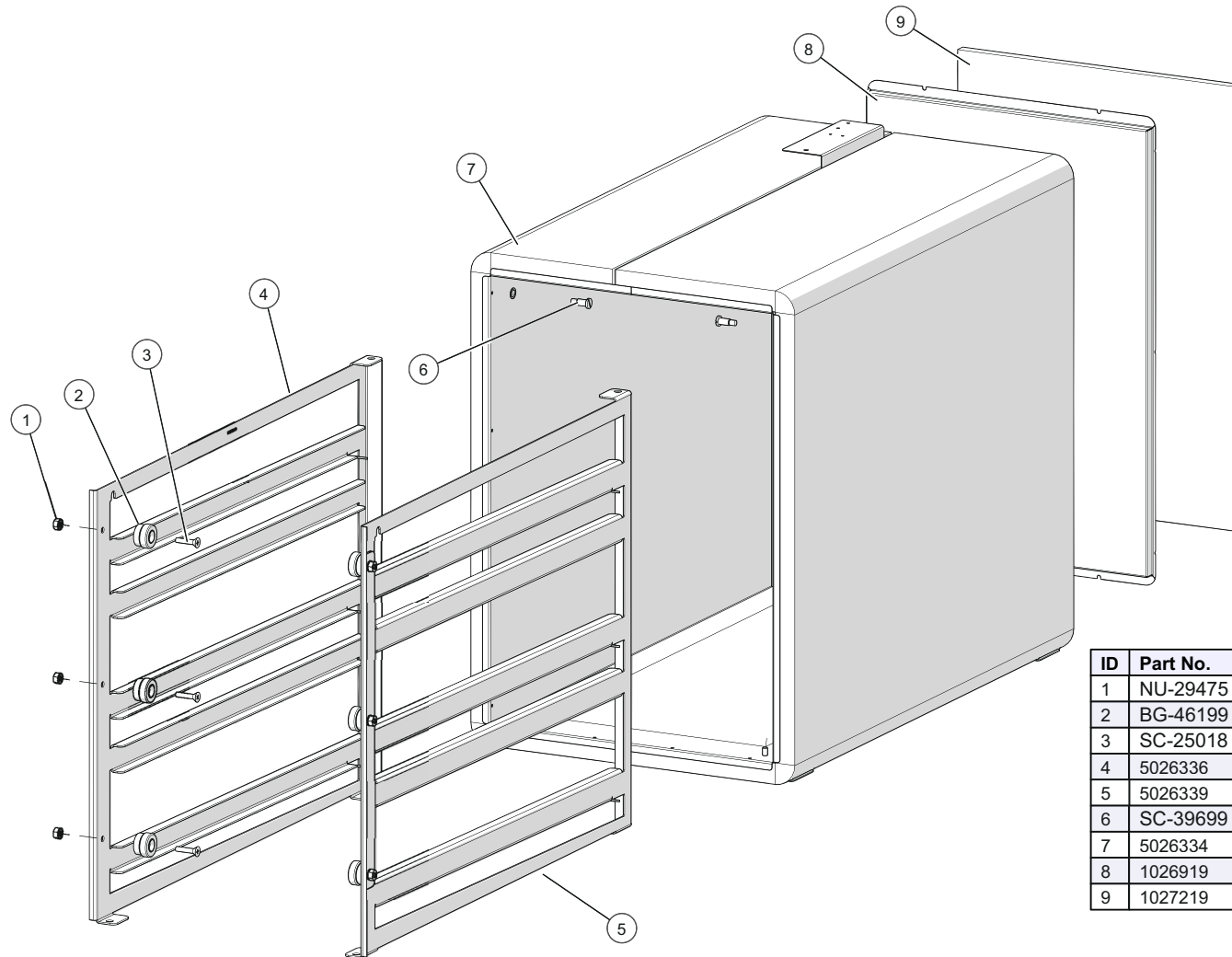
| ID | Part No. | Description |
|----|----------|--------------------------------|
| 1 | NU-29475 | 1/4"-20 KEPS NUT |
| 2 | BG-46199 | BEARING, ROLLER |
| 3 | SC-25018 | SCREW, 1/4-20 x 1 1/8" FLAT HD |
| 4 | 5026316 | ASSB, LEFT HAND RAIL |
| 5 | SC-39699 | STUD,S/S PIVOT |
| 6 | 5026318 | CAVITY, HEAT PAD ASSY |
| 7 | 1026854 | PANEL, INNER BACK |
| 8 | 1027216 | INSULATION,500-2DN,BACK |
| 9 | 5026320 | ASSB, RIGHT HAND RAIL |

Cavity Package "A", 500-3D



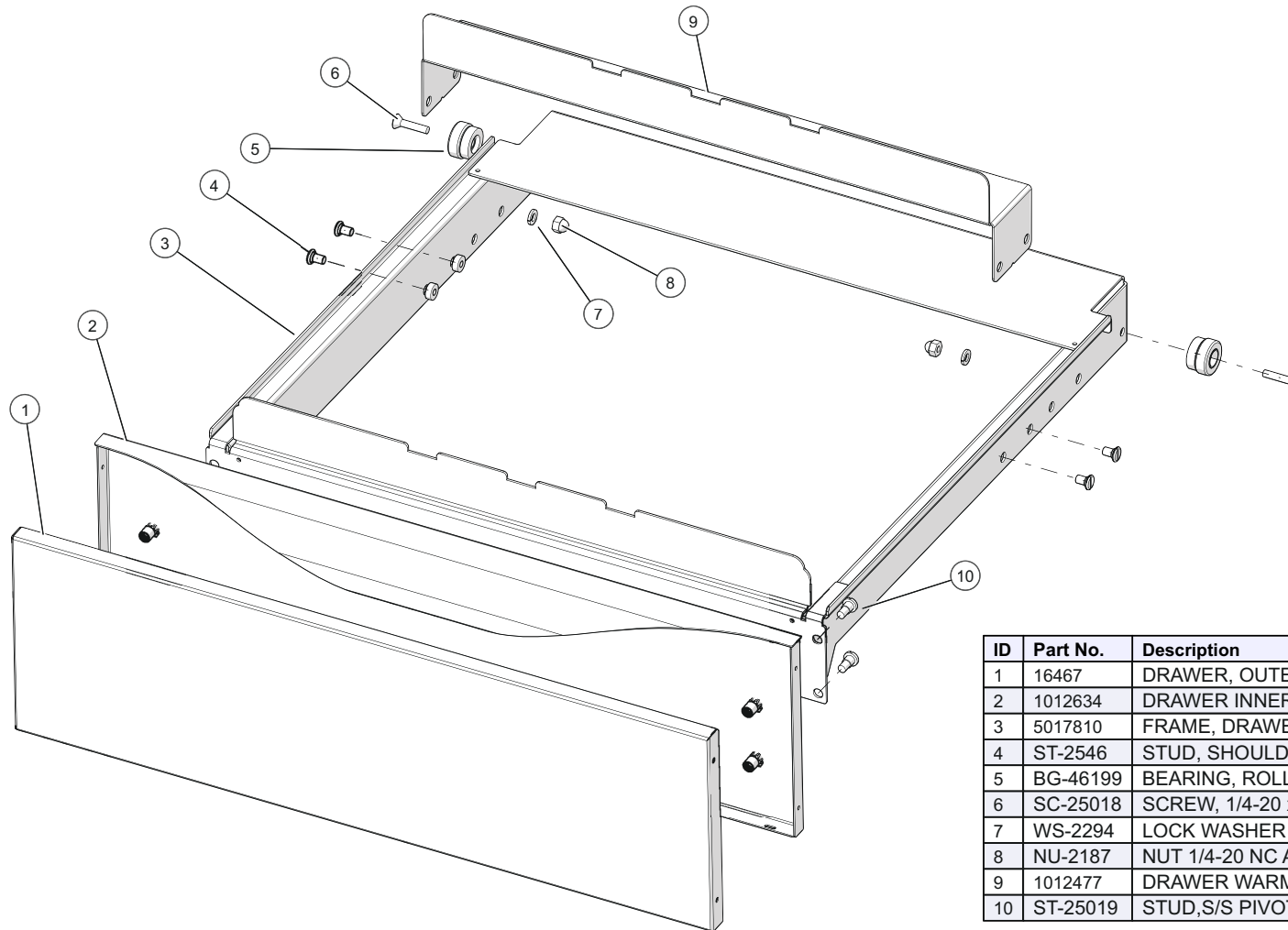
| ID | Part No. | Description |
|----|----------|--------------------------------|
| 1 | NU-29475 | 1/4"-20 KEPS NUT |
| 2 | BG-46199 | BEARING, ROLLER |
| 3 | SC-25018 | SCREW, 1/4-20 x 1 1/8" FLAT HD |
| 4 | 5026326 | ASSB, LEFT HAND RAIL |
| 5 | SC-39699 | STUD, S/S PIVOT |
| 6 | 5026324 | CAVITY, HEAT PAD ASSY |
| 7 | 1026878 | PANEL, INNER BACK |
| 8 | 1027217 | INSULATION, 500-3D, BACK |
| 9 | 5026330 | ASSB, RIGHT HAND RAIL |

Cavity Package "A", 500-3DN



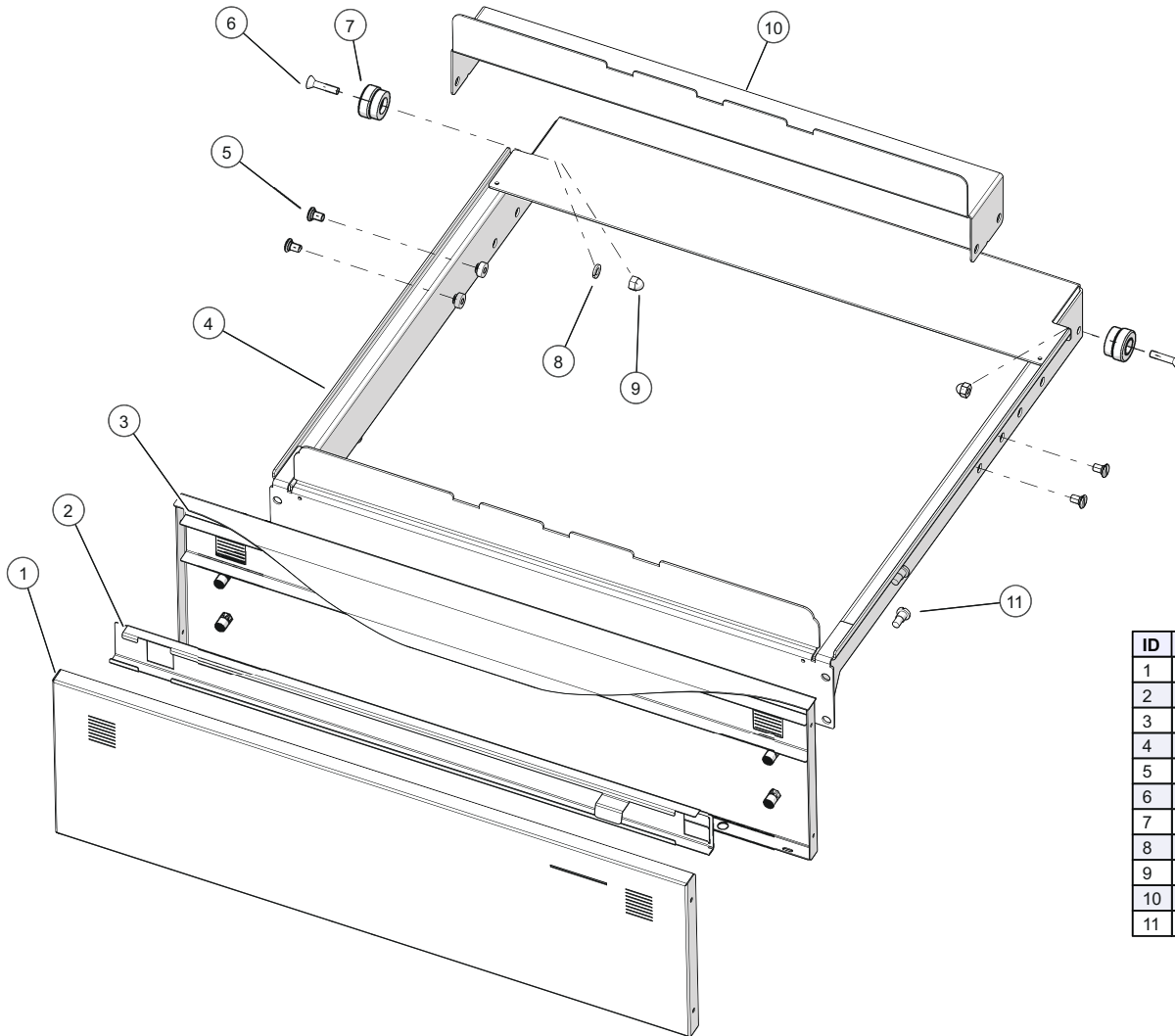
| ID | Part No. | Description |
|----|----------|--------------------------------|
| 1 | NU-29475 | 1/4"-20 KEPS NUT |
| 2 | BG-46199 | BEARING, ROLLER |
| 3 | SC-25018 | SCREW, 1/4-20 x 1 1/8" FLAT HD |
| 4 | 5026336 | ASSB, LEFT HAND RAIL |
| 5 | 5026339 | ASSB, RIGHT HAND RAIL |
| 6 | SC-39699 | STUD,S/S PIVOT |
| 7 | 5026334 | CAVITY, HEAT PAD ASSY |
| 8 | 1026919 | PANEL, INNER BACK |
| 9 | 1027219 | INSULATION,500-3DN,BACK |

Drawer Assembly, D Series, Non-Vented



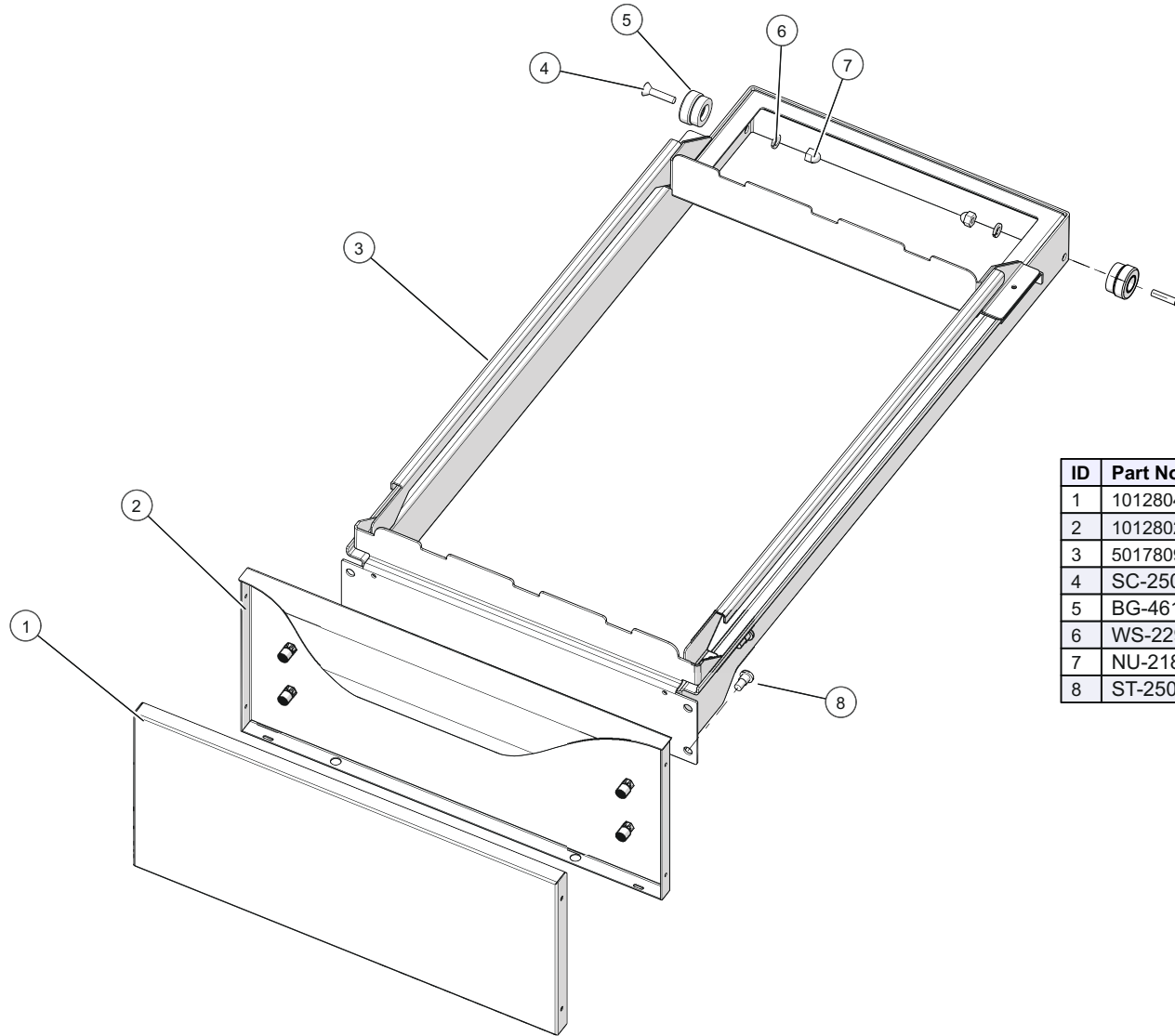
| ID | Part No. | Description |
|----|----------|------------------------------------|
| 1 | 16467 | DRAWER, OUTER |
| 2 | 1012634 | DRAWER INNER W/HANDLE |
| 3 | 5017810 | FRAME, DRAWER, SPOT |
| 4 | ST-2546 | STUD, SHOULDER, SHORT, S/S |
| 5 | BG-46199 | BEARING, ROLLER |
| 6 | SC-25018 | SCREW, 1/4-20 x 1 1/8" FLAT HD S/S |
| 7 | WS-2294 | LOCK WASHER 1/4" |
| 8 | NU-2187 | NUT 1/4-20 NC ACORN #18-8 S/S |
| 9 | 1012477 | DRAWER WARMER, FRAME, PAN SLIDE |
| 10 | ST-25019 | STUD, S/S PIVOT, 500-1,2,3D, DN'S |

Drawer Assembly, D Series, Vented



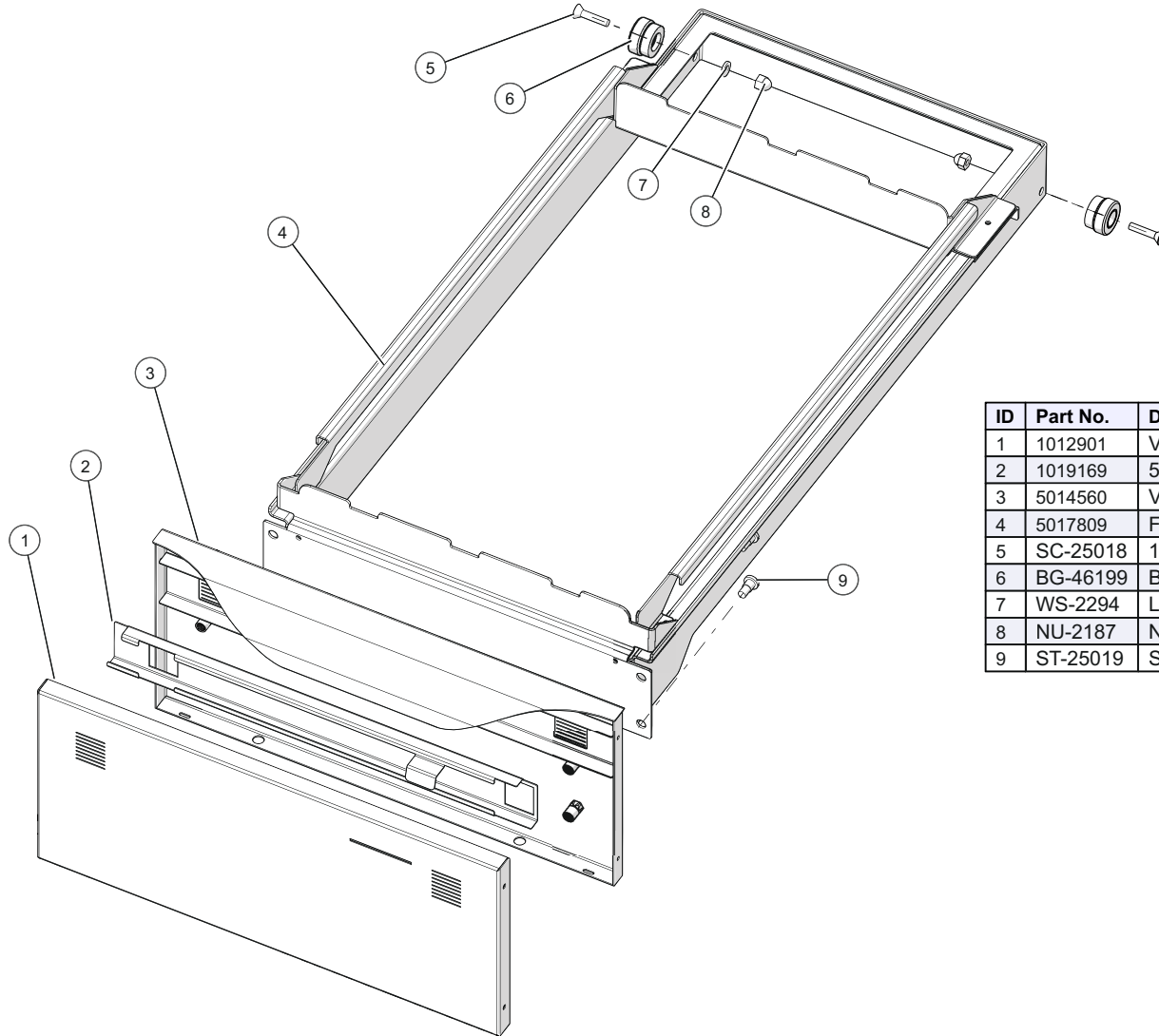
| ID | Part No. | Description |
|----|----------|-------------------------------------|
| 1 | 1012899 | VENTED DRAWER, OUTER |
| 2 | 1019159 | 500-D VENT SLIDE |
| 3 | 5014558 | VENTED DRAWER FRONT SPOT |
| 4 | 5017810 | FRAME, DRAWER, SPOT |
| 5 | ST-2546 | STUD, SHOULDER, SHORT, S/S |
| 6 | SC-25018 | 1/4-20 x 1 1/8" FLAT HD S/S |
| 7 | BG-46199 | BEARING, ROLLER |
| 8 | WS-2294 | LOCK WASHER 1/4" |
| 9 | NU-2187 | NUT 1/4-20 NC ACORN #18-8 S/S |
| 10 | 1012477 | DRAWER WARMER, FRAME, PAN SLIDE |
| 11 | ST-25019 | STUD, S/S PIVOT, 500-1, 2, 3D, DN'S |

Drawer Assembly, DN Series, Non-Vented



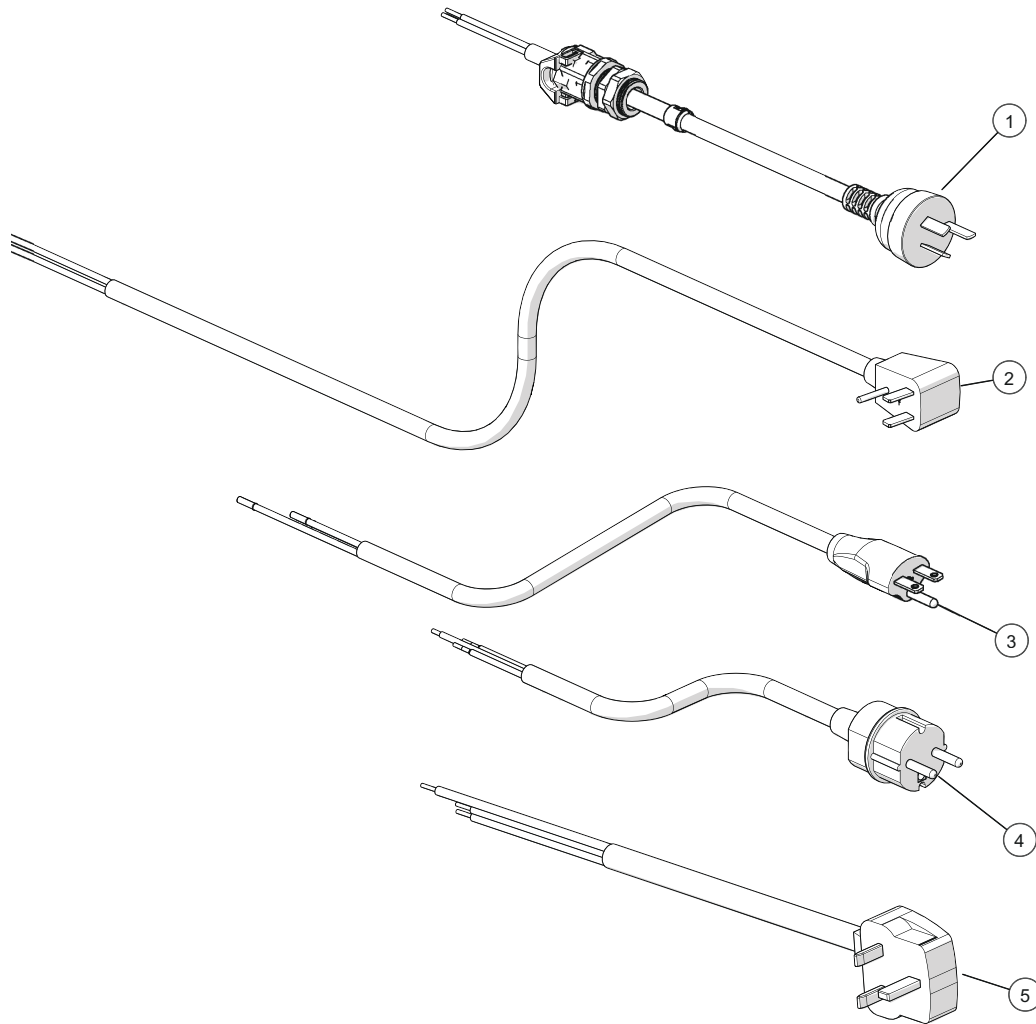
| ID | Part No. | Description |
|----|----------|--------------------------------|
| 1 | 1012804 | NARROW DRAWER, OUTER |
| 2 | 1012802 | DRAWER INNER W/HANDLE |
| 3 | 5017809 | FRAME, DRAWER SPOT |
| 4 | SC-25018 | 1/4-20 x 1 1/8" FLAT HD S/S |
| 5 | BG-46199 | BEARING, ROLLER |
| 6 | WS-2294 | LOCK WASHER 1/4" |
| 7 | NU-2187 | NUT 1/4-20 NC ACORN #18-8 S/S |
| 8 | ST-25019 | STUD,S/S PIVOT,500-1,2,3D,DN'S |

Drawer Assembly, DN Series, Vented



| ID | Part No. | Description |
|----|----------|-----------------------------------|
| 1 | 1012901 | VENTED NARROW DRAWER, OUTER |
| 2 | 1019169 | 500-DN VENT SLIDE |
| 3 | 5014560 | VENTED NARROW DRAWER SPOT |
| 4 | 5017809 | FRAME, DRAWER SPOT |
| 5 | SC-25018 | 1/4-20 x 1 1/8" FLAT HD S/S |
| 6 | BG-46199 | BEARING, ROLLER |
| 7 | WS-2294 | LOCK WASHER 1/4" |
| 8 | NU-2187 | NUT 1/4-20 NC ACORN #18-8 S/S |
| 9 | ST-25019 | STUD, S/S PIVOT, 500-1,2,3D, DN'S |

Cordsets



| ID | Part No. | Description |
|----|----------|------------------------------------|
| 1 | 5022145 | CORDSET,10A-250V, AS/NZS 3112:2000 |
| 2 | 5015002 | CORDSET, NEMA 5-15P |
| 3 | 5017194 | CORDSET, 14/3 NEMA 6-15P 15A-250V |
| 4 | 5013670 | CORDSET, CEE 7/7 |
| 5 | 5014997 | CORDSET, BS 1363 |



ALTO-SHAAM ASIA
Shanghai, China
Phone +86-21-6173 0336

ALTO-SHAAM CANADA
Concord, Ontario Canada
Toll Free Phone 866-577-4484
Phone +1-905-660-6781

**ALTO-SHAAM CENTRAL
& SOUTH AMERICA**
Miami, FL USA
Phone +1-954-655-5727

**ALTO-SHAAM MIDDLE EAST
& AFRICA**
Dubai, UAE
Phone +971 4 321 9712

ALTO-SHAAM MEXICO
Phone +52 1 477-717-3108

ALTO-SHAAM FRANCE, L.L.C.
Aix en Provence, France
Phone +33(0)4-88-78-21-73

ALTO-SHAAM GMBH
Bochum, Germany
Phone +49(0)234-298798-0

ALTO-SHAAM RUSSIA
Moscow, Russia
Phone +7-903-793-2331



Menomonee Falls, WI 53052-0450, U.S.A.
Telephone 800-558-8744 | +1-262-251-3800 | alto-shaam.com