

## Surface / Wall Device Charging Station Guide

**WARNING:** Two people are required to attach this charging station to a wall.

### Parts List

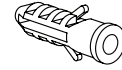
Note: Hardware provided is for drywall installation. If attaching to other material, additional fasteners are needed (not included).



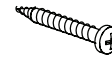
**A** x4  
M5x18



**B** x1  
M5x40



**C**  
Plastic Anchor



**D**  
M5x25

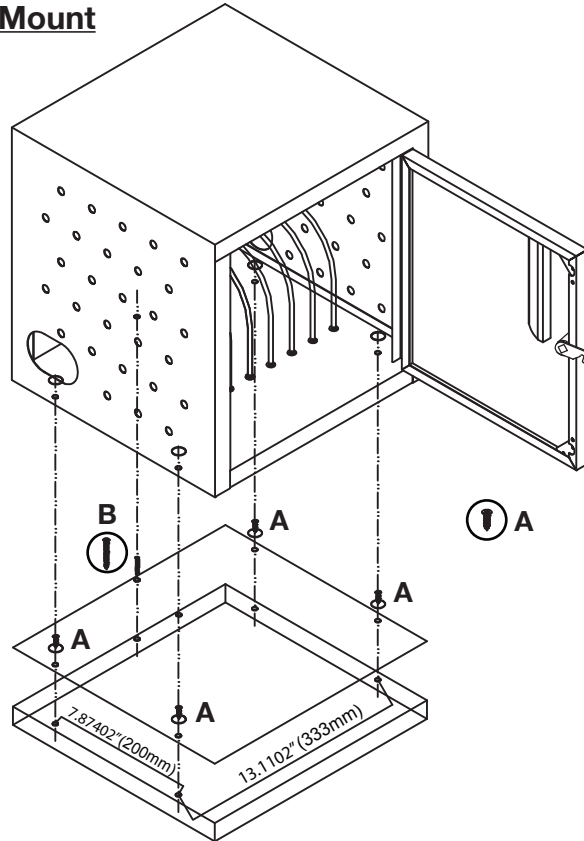
### Tools Required

- Tape Measure
- Level
- Drill
- 1/4" Drill Bit (No Stud)
- 1/8" Drill Bit (Stud)

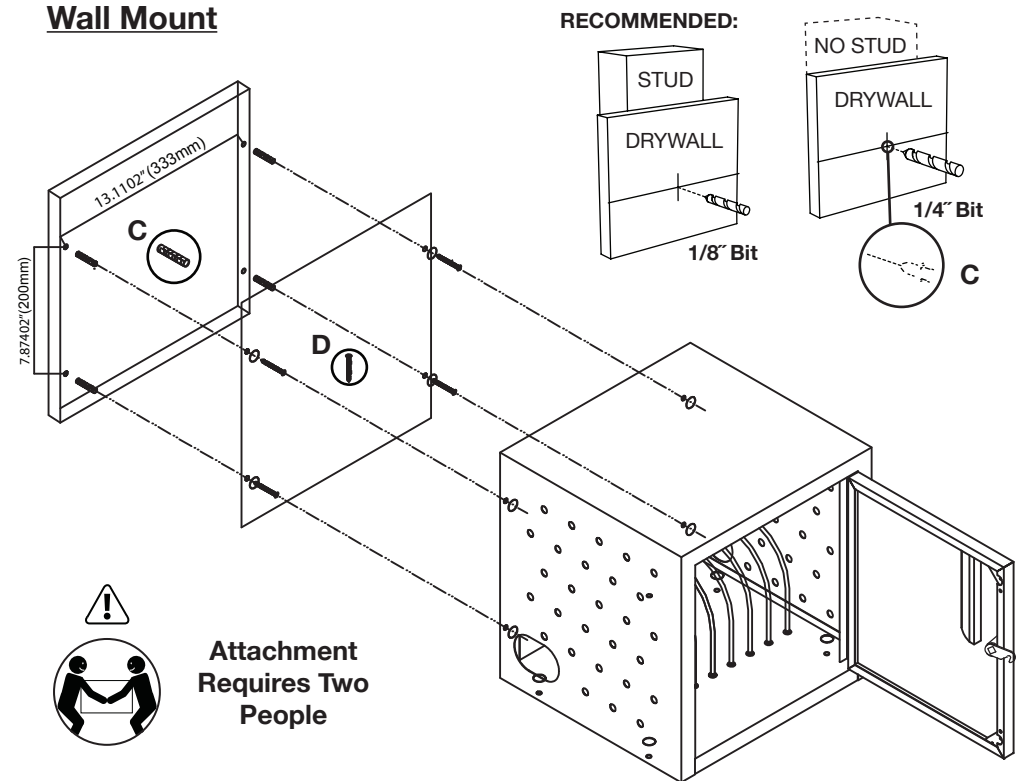
- Extended Length Phillips Screwdriver
- Level
- Stud Finder
- Pencil

05/25/16

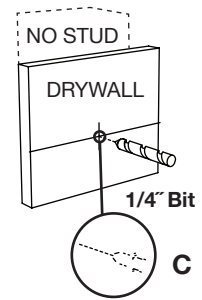
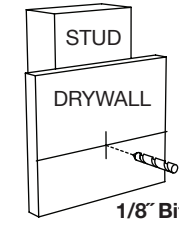
### Surface Mount



### Wall Mount



RECOMMENDED:



**Attachment  
Requires Two  
People**

### Assistance required on all steps

1. Place the unit in the desired location.
2. Using a pencil, mark the front two holes.
3. Using a pencil, mark the back two holes through the side grommet holes.
4. Remove the unit, and confirm marks are in the correct location.
5. Mark a center point between the back two holes.
6. Drill 5 holes using the 1/8" drill bit.
7. Return the unit, and secure in place with screws (A and B).
8. If mounting to drywall, drill holes with the 1/4" drill bit, and place anchors (C) in the holes.
9. If mounting to a stud, drill holes with 1/8" drill bit.
10. Return the unit to the location, and secure in place with screws (D).