



DONE TO PERFECTION.

INSTALLATION & OPERATIONAL MANUAL

English & French



LG SERIES GAS FRYERS

MODELS:

LG300

ML-136528

LG400

ML-136622

LG500

ML-136643

For additional information on Vulcan-Hart or to locate an authorized parts and service provider in your area, visit our website at www.vulcanequipment.com

IMPORTANT FOR YOUR SAFETY

THIS MANUAL HAS BEEN PREPARED FOR PERSONNEL QUALIFIED TO INSTALL GAS EQUIPMENT, WHO SHOULD PERFORM THE INITIAL FIELD START-UP AND ADJUSTMENTS OF THE EQUIPMENT COVERED BY THIS MANUAL.

POST IN A PROMINENT LOCATION THE INSTRUCTIONS TO BE FOLLOWED IN THE EVENT THE SMELL OF GAS IS DETECTED. THIS INFORMATION CAN BE OBTAINED FROM THE LOCAL GAS SUPPLIER.

IMPORTANT

IN THE EVENT A GAS ORDOR IS DETECTED, SHUT DOWN UNITS AT THE MAIN SHUTOFF VALVE AND CONTACT THE LOCAL GAS COMPANY OR GAS SUPPLIER FOR SERVICE.

FOR YOUR SAFETY

DO NOT STORE OR USE GASOLINE OR OTHER FLAMMABLE VAPORS OR LIQUIDS IN THE VICINITY OF THIS OR ANY OTHER APPLIANCE.

WARNING

Improper installation, adjustment, alteration, service or maintenance can cause property damage, injury or death.

Read the installation, operating and maintenance instructions thoroughly before installing or servicing this equipment.

TABLE OF CONTENTS

IMPORTANT FOR YOUR SAFETY.....	2
INTRODUCTION.....	4
GENERAL.....	4
ORDERING PARTS.....	4
FRYER CAPACITIES.....	4
UNPACKING.....	4
INSTALLATION.....	5
Clearances.....	5
Location.....	5
Flue Installation.....	6
CODES AND STANDARDS.....	6
ASSEMBLY.....	7
FLUE EXHAUST.....	8
GAS CONNECTION.....	8
Quick-Disconnect for Units on Casters.....	9
GAS PRESSURE.....	9
TEST GAS SUPPLY.....	9
FRYERS WITH CASTERS.....	9
LEVELING THE FRYER.....	10
OPERATION.....	10
OVER-TEMPERATURE SHUTDOWN.....	11
BEFORE FIRST USE.....	11
Cleaning.....	11
FILLING TANK WITH SHORTENING.....	11
LIGHTING THE PILOT.....	12
TURNING ON THE FRYER.....	13
TURNING OFF THE FRYER.....	13
EXTENDED SHUTDOWN.....	14
BASIC FRYING INSTRUCTIONS.....	14
Fry Basket Guidelines.....	14
EXTENDED SHORTENING LIFE.....	14
DRAINING THE TANK.....	15
DAILY FILTERING-ALL MODELS.....	15
CLEANING.....	15
Daily.....	15
BOIL OUT PROCEDURE.....	16
MAINTENANCE.....	17
FLUE VENT INSPECTION.....	17
Service in the US and Canada.....	17
In Australia.....	17
TROUBLESHOOTING.....	17
Troubleshooting Chart.....	17
WARRANTY.....	18

INTRODUCTION

GENERAL

Vulcan Fryers are produced with quality workmanship and material. Proper installation, usage and maintenance will result in years of satisfactory performance.

Before installing the fryer, thoroughly read this manual and carefully follow all instruction.

This manual is applicable to model listed on the cover page. Procedures in this manual will apply to all models unless specified. Pictures and illustrations can be of any model unless the picture or illustration needs to be model specific.

ORDERING PARTS

To speed up your order, provide the model number, serial number, gas type, part needed, item part number (if known) and quantity needed.

FRYER CAPACITY				
MODEL	# of Heat Tubes	BTU/hr.	Width Inch (cm)	Shortening lbs. (kg)
LG300	3	90,000	15.5 (39)	35-40 (16-18)
LG400	4	120,000	15.5 (39)	45-50 (21-23)
LG500	5	150,000	21.0 (53)	65-70 (29-32)

UNPACKING

This fryer was inspected before leaving the factory. The carrier assumes full responsibility for the safe delivery upon acceptance of the shipment. Check for possible shipping damage immediately after receipt.

If the fryer is found to be damaged, complete the following steps:

1. Carrier must be notified within 5 business days of receipt.
2. Carrier’s local terminal must be notified immediately upon discovery (note time, date, and who was spoken to), and follow up and confirm with written or electronic communication.
3. All original packing materials must be kept for inspection purposes.
4. The fryer cannot have been moved, installed, or modified.
5. Notify Vulcan Customer Service immediately at 800-814-2028.

Check that the following have been included:

- ◆ Crumb Rack
- ◆ Basket Hanger
- ◆ Adjustable Legs (4)
- ◆ Drain Pipe Extension
- ◆ Twin Fry Baskets (2)
- ◆ Manual and Warranty – Retain for future reference.

Do not use the door or its handle to lift the fryer.

INSTALLATION

Before installing the fryer, verify that the type of gas (natural or propane) agrees with the specifications on the fryer data plate, which is located on the inside of the door panel. Make sure the fryer is configured for the proper elevation.

Record your fryer model, device, and serial numbers for future reference in the space provided below. This information can be found on the fryer data plate.

Fryer Model No: _____

Device: _____

Serial No: _____

Clearances

- ◆ Minimum clearance from combustible construction:
 - 6" (15 cm) from the sides of the fryer
 - 6" (15 cm) from the back of the fryer
 - The fryer may be installed on combustible floors
- ◆ Minimum clearance from noncombustible construction:
 - 0" from the sides of the fryer
 - 0" from the back of the fryer
- ◆ Between the fryer and any open-top flame units:
 - 16" (41 cm)
- ◆ Allow space for servicing and operation.

Location

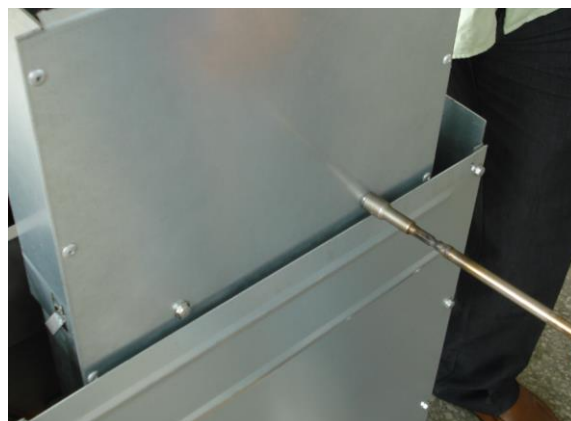
- ◆ Install fryer in an area with sufficient air supply for gas combustion at fryer burners.
- ◆ Do not obstruct the flow of combustion and ventilation air.
- ◆ Provide adequate clearance for air openings into the combustion chamber.
- ◆ Do not permit fans to blow directly onto fryer.
- ◆ Avoid wall-type fans, which create cross-currents within a room. Avoid open windows next to sides or back.
- Electrical diagram located on inside of door.

⚠ WARNING **FLUE INSTALLATION: BEFORE USING FRYER INSTALL AND ASSEMBLE THE 10-5/8" FLUE TO THE FRYER..**

1. Unpack the flue box and flue wrap



2. Slide the flue box over the flue and secure it with the two self-tapping screws using a 5/16" socket



3. Slide the flue wrap over the flue



4. Secure it with four self-tapping screws two on the back and one on each side using a 5/16" socket



CODES AND STANDARDS

The fryer must be installed in accordance with:

In the United States:

- ◆ State and local codes, or in the absence of local codes, with:
- ◆ National Fuel Gas Code, ANSI-Z223.1/NFPA #54 (latest edition). Copies may be obtained from The American Gas Association Accredited Standards Committee Z223, @ 400 N. Capital St. NW, Washington, DC 20001 or the Secretary Standards Council, NFPA, 1 Batterymarch Park Quincy, MA 02169-7471.
- ◆ NFPA Standard #96 Vapor Removal from Cooking Equipment, latest edition, available from the National Fire Protection Association, Batterymarch Park, Quincy, MA.
- ◆ In the commonwealth of Massachusetts all gas appliances vented through a ventilation hood or exhaust system with a damper or with a power means of exhaust shall comply with 248 CMR.

In Canada:

- ◆ Local codes
- ◆ CAN/CSA-B149.1 Natural Gas and Propane Code Installation (latest edition), available from the Canadian Gas Association 350 Sparks Street, Ottawa, Ontario Canada K1R 7S8.
- ◆ CSA C22.1 Canadian Electric Code L4W 5N6.

ASSEMBLY

The fryer must be restrained to prevent tipping and the splashing of hot liquid. The means of restraint may be the manner of installation, such as connection to a battery of appliances, installing the fryer in an alcove, or by separate means such as adequate ties.

FLUE EXHAUST

- ◆ Comply with *Vapor Removal from Cooking Equipment*, ANSI-NFPA Standard #96 (latest edition), available from the National Fire Protection Association, Batterymarch Park, Quincy, MA 02269.
- ◆ Locate the fryer under a hood with adequate connection to an exhaust duct. The hood must extend 6" (15 cm) beyond fryer on both sides.
- ◆ Clearance above the fryer should be adequate for combustion byproducts to be removed efficiently.
- ◆ An 18" (46 cm) minimum clearance should be maintained between the flue vent and the filters of the hood venting system.
- ◆ Never make flue connections directly to the fryer.
- ◆ Do not obstruct the flow of the gases from the appliance. Proper air balance should be maintained in the room.
- ◆ Ensure that your ventilation system does not cause a down draft at the fryer's flue opening. Down draft will not allow the fryer to exhaust properly and will cause overheating which may cause permanent damage. Damage caused by down draft will not be covered under equipment warranty. Never allow anything to obstruct the flue or ventilation exiting from the fryer flue. Do not put anything on top of flue area.

GAS CONNECTION

NOTICE All gas supply connections and any pipe joint compound must be resistant to the action of propane gases.

The gas inlet is located on the lower rear of the fryer. Codes require that a gas shutoff valve be installed in the gas line ahead of the fryer.

The gas supply line must be at least the equivalent of ½" (12.7 mm) iron pipe for single units and 1-1/4" (31.75 mm) for batteries. If using the optional quick-disconnect flex hose, ¾" (19 mm) iron pipe for single units.

Make sure the pipes are clean and free of obstructions, dirt, and piping compound. A battery requires one or two connections of appropriate size for the gas requirement.

⚠ WARNING Prior to lighting, check all joints in the gas supply line for leaks. Use soap and water solution. Do not use an open flame.

After piping has been checked for leaks, fully purge gas pipes to remove air.

GAS PRESSURES (ALL MODELS):

The gas pressure should be set at 4" W.C. (Water Column) (0.8 kPa) for natural gas and 10" W.C. (2.75 kPa) for propane gas. If incoming pressure exceeds ½ PSI (3.45 kPa), an additional pressure regulator must be installed.

TESTING THE GAS SUPPLY PIPING SYSTEM:

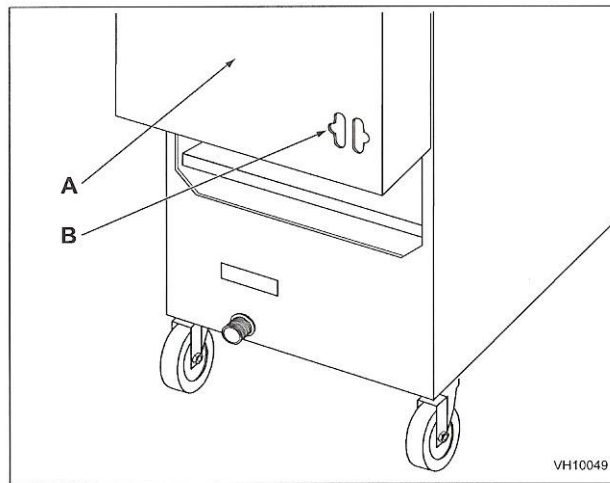
When test pressures exceed ½ PSI (3.45 kPa), the fryer and its individual shutoff valve must be disconnected from the gas supply piping system.

When test pressures are ½ PSI (3.45 kPa) or less, the fryer must be isolated from the gas supply piping system by closing its individual shutoff valve.

Fryers with Casters: (Restraining device does not come supplied with fryer or casters).

Separate instructions for installing casters are included with the casters:

- ◆ The installation shall be made with a connector that complies with the Standard for Connectors for Movable Gas Appliances, ANSI Z21.69 or Connectors for Moveable Gas Appliances, CAN/CGA-6.16, and a quick-disconnect device that complies with the Standard for Quick-Disconnect Devices for Use with Gas Fuel, ANSI z21.41 or Quick-Disconnect Devices for Use with Gas Fuel, CANI-6.9.
- ◆ When installing a quick disconnect you must also install a means for limiting the movement of the fryer. This restraining device will prevent the gas line or quick disconnect from being strained. The restraining device should be attached to the cutout on the back panel. See illustration for location. If disconnection of the restraining device is necessary for service or cleaning, reconnect the restraining device after the fryer is placed back into its original position.



- A Rear of Fryer
- B Strain Relief Chain Connection
(Chain supplied by others)

- ◆ The fryer must be installed with a connector (not supplied by Vulcan) complying with the above codes.
- ◆ The fryer must be installed with restraining means to guard against transmission of strain to the connector. See illustration.
- ◆ The fryer must be installed with the casters provided.
- ◆ If the restraint is ever to be disconnected, first turn the gas supply off.

LEVELING THE FRYER

Check the level of the fryer by placing a level on top of the fryer after gas connections have been made.

Ensure that the fryer is level front-to-back and side-to-side in the final installed position.

If using casters, lock the wheels after unit is level.

OPERATION

▲ WARNING Hot oil and parts can cause burns. Use care when operating, cleaning and servicing the fryer.

▲ WARNING Spilling hot frying compound can cause severe burns. Do not move fryer without draining all frying compound from the tank.

OVER-TEMPERATURE SHUTDOWN

If the shortening becomes overheated, a high-temperature shutoff device will turn the gas valve off and extinguish the pilot.

If the fryer shuts down due to overheating, DO NOT relight the pilot until the shortening temperature is below 300° F (149 C).

If an overheating situation persists, contact your local Vulcan-Hart authorized service office.

BEFORE FIRST USE

Cleaning

New units are wiped down at the factory to remove any visible signs of dirt, oil, grease, etc. remaining from the manufacturing process.

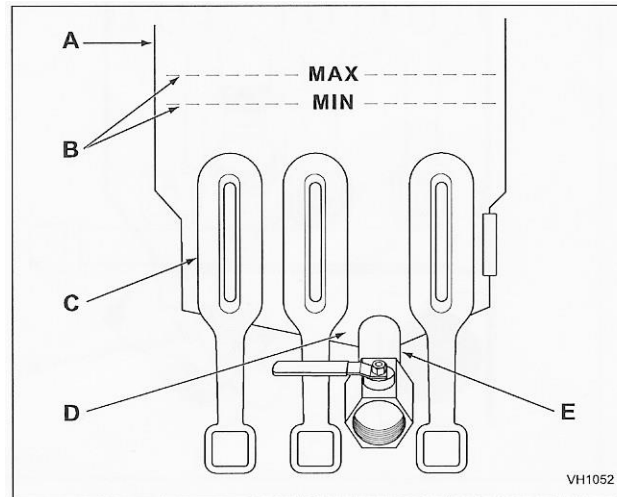
Before any food preparation, thoroughly wash the protective oil from all surface parts and the tank interior with hot soapy water to remove any film residue and dust or debris.

NOTICE Do not use chlorine or sulfate/sulfide cleaners.

- ◆ Wash any accessories shipped with unit.
- Rinse fryer and accessories thoroughly and drain the fryer.
- ◆ Wipe tank completely dry with a soft, clean cloth.

FILLING TANK WITH SHORTENING

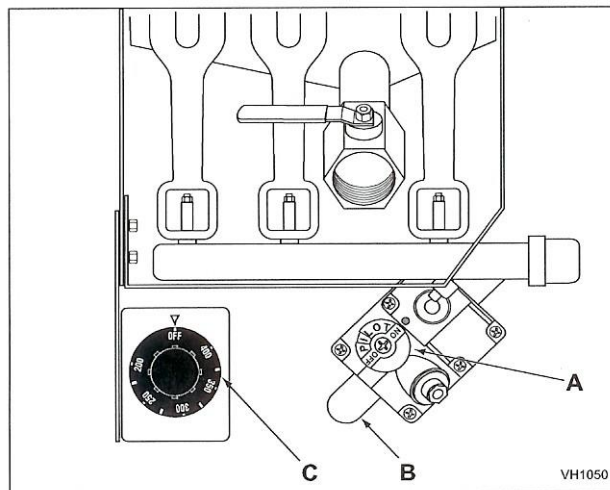
NOTICE Solid shortening should NOT be used with LG300 or LG400 fryers. Melting solid shortening will damage the tank and void your warranty.



- A Fryer Tank**
- B MIN and MAX Fill Level Lines**
- C Heat Pipes**
- D Cold Zone**
- E Drain Pipe**

- ◆ Close the drain valve.
- ◆ Fill the fryer tank with liquid shortening.
- ◆ Shortening level should be between the min and max lines in the fryer tank.
- ◆ Shortening will expand when heated. Do not fill the fryer tank past the MAX line.
- ◆ Add fresh shortening as needed to maintain oil level.

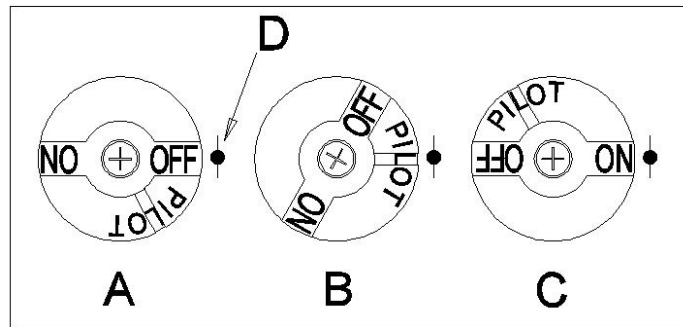
LIGHTING THE PILOT



- A Gas Valve Knob**
- B Gas Supply**
- C Thermostat Knob**

VULCAN LG FRYERS

1. Open the door.
2. Turn the thermostat OFF. The thermostat is located behind the door.
3. Push the gas control valve knob and turn to OFF (see figure below, view A). Wait 5 minutes for unburned gas to vent.
4. Push and turn gas control valve knob to the “L” in PILOT (see figure below, view B).
5. While still holding the knob in, light the pilot with a lit flame. Continue to depress the knob until pilot remains lit when knob is released. If the pilot does not remain lit, repeat step 3 through 5.
6. Depress and turn gas control knob to ON (See figure below, view C).
7. If gas supply is interrupted, repeat steps 2 through 6.



- A Gas Valve Knob, View A
- B Gas Valve Knob, View B
- C Gas Valve Knob, View C
- D Indicator Point, All Views

TURNING ON THE FRYER

- ◆ Set the temperature knob to desired temperature.
- ◆ After the set temperature has been reached, the thermostat shuts off the gas flow to burners.
- ◆ The pilot remains lit. The burners will cycle on and off, maintaining the set temperature.

TURNING OFF THE FRYER

1. Turn the thermostat OFF.
2. To keep the pilot lit, turn the gas valve to “L” in Pilot.
3. To shut off all gas to the system, including the pilot, turn the gas valve knob to OFF.

EXTENDED SHUTDOWN

1. Turn the thermostat knob to OFF.
2. Push in the pilot knob and turn to OFF.
3. Thoroughly drain the fryer. Refer to DRAINING THE FRYER.
4. Clean the fryer according to CLEANING.
5. Turn off the main gas shutoff valve.

BASIC FRYING INSTRUCTION

- ◆ Set the desired temperature and allow shortening to heat up to that temperature.
- ◆ Fry items that are the same size to ensure equal doneness.
- ◆ Drain or wipe dry raw or wet foods to minimize splatter when lowering into hot shortening.
- ◆ Add fresh shortening as needed.

Fry Basket Guidelines

- ◆ Do not overfill baskets. (See table for recommended basket capacities below)
Carefully lower basket into oil.
- ◆ When frying doughnuts and fritters, turn product only once during frying.
- ◆ When cooking French fries or onion rings, shake the basket several times.
- ◆ Batter-covered foods should be dropped carefully, one by one, into shortening or basket. If you use the basket, first dip the basket into the shortening to reduce batter-build up on basket surfaces.
- ◆ When frying is completed, remove basket or product. Hang basket on rear hanger.

Fry Basket Capacity:

LG300, LG400: Recommended pounds per basket are 1.5 lbs. (0.7 kg).
LG500 Recommended pounds per basket are 3.0 lbs. (1.4 kg).

EXTENDING SHORTENING LIFE

Shortening life can be extended by the following guidelines:


- ◆ Do not salt foods over the fryer.
- ◆ Use good-quality shortening.

- ◆ Filter shortening daily (at a minimum).
- ◆ Replace shortening if it becomes poorly flavored.
- ◆ Keep equipment and surrounding area clean.
- ◆ Set thermostat correctly.
- ◆ Remove excess moisture and particles from food products before placing on fryer.

DRAINING THE TANK

1. Turn the thermostat to OFF.
2. To keep the pilot lit, turn the gas valve to PILOT.
3. Direct the drain spout into the container that you want to drain the shortening into.
4. Open the drain valve. The oil will drain into the container. When the container is full or the fryer tank is empty, close the drain valve. Repeat this step until the fryer is empty.
5. If desired, perform the weekly clean-out as described under CLEANING.
6. Once tank is completely empty, add new shortening and set thermostat to desired temperature.

DAILY FILTERING

 WARNING Hot oil and hot parts can cause burns. Use care when operating, cleaning, and servicing the fryer.

- ◆ Filter shortening at least once a day. Refer to the instructions provided with your filtering equipment.
- ◆ A cold fryer will not drain properly. Always filter shortening between 250°F and 350°F. The shortening in the cold zone area will remain hard if the heat is only on for a few minutes. If necessary, use the clean-out rod to carefully stir the hard shortening to an area above the cold zone where it will melt. Use the tank brush to help clear sides and tubes of debris.

CLEANING

 WARNING Hot oil and hot parts can cause burns. Use care when operating, cleaning, and servicing the fryer.

Daily

Clean your fryer regularly with the tank brush along with a damp cloth, and polish with a soft dry cloth. If regular cleaning is neglected, grease will be burned on and discolorations may form.

Fingerprints are sometimes a problem on highly polished surfaces of stainless steel. They can be minimized by applying a cleaner that will leave a thin oily or waxy film.

- ◆ Clean all exterior surfaces of your fryer at least once daily.
- ◆ Use a damp cloth with warm water and a mild soap or detergent.

NOTICE Do not use chlorine or sulfate/sulfide cleaners.

- ◆ Rinse thoroughly, and then polish with a soft dry cloth.
- ◆ Keep the fryer exterior clean and free of accumulated grease to prevent stubborn stains from forming. If regular cleaning is neglected, grease will be burned on and discolorations may form.
- ◆ Remove discolorations by washing with any detergent or soap and water.
- ◆ Use a self-soaping, non-metallic scouring pad for particularly stubborn discolorations.
- ◆ Always rub with the grain of the stainless steel.
- ◆ Do not use a metallic scoring pad or harsh cleaners.

BOIL OUT PROCEDURE

Weekly or as required:

1. Drain the tank as described under DRAINING THE TANK.
2. Once the shortening has been drained, flush out scraps and sediment with a small amount of warm shortening, using tank brush. Allow the tank to drain thoroughly.
3. Close the drain valve and fill tank water. Use a low foaming cleaner/degreaser to clean the fry tank. Follow the instructions on the side of the package.

NOTICE Do not use chlorine or sulfate/sulfide cleaners.

4. Add commercial boil-out solution. Solution level must be between the MIN and MAX levels on the fryer tank.
5. Set thermostat to the temperature recommended for the solution being used. Do not exceed 200°F. Allow solution to simmer for about 15 to 20 minutes.
6. Drain the cleaning solution from the tank.
7. Close the drain valve and refill the tank with water. Add 1 cup (1/4 L) of vinegar to neutralize alkaline left by the cleaner. Solution level must be between the MIN and MAX level on the fryer tank.
8. Bring the solution to a simmer only, turn the thermostat off. Allow to stand for a few minutes.
9. Drain the tank according to DRAINING THE TANK. Rinse thoroughly with clear, hot water. All traces of cleaner must be removed. Dry the tank thoroughly.
10. Close the drain valve and add shortening. Follow the FILLING TANK WITH SHORTENING procedure in this manual. The fryer is now ready for use.

MAINTENANCE

⚠ WARNING Hot oil and hot parts can cause burns. Use care when operating, cleaning, and servicing the fryer.

⚠ WARNING Spilling hot fryer compound can cause severe burns. Do not move fryer without draining all frying compound from the tank.

FLUE VENT INSPECTION

When the fryer is cool, inspect annually. Check the flue and clear any obstructions.

Service in the US and Canada

Check www.vulcanequipment.com for the closest service office.

In Australia

Contact Hobart Food Equipment PTY. LTD., 16 Hilly Street Morlake, N.S.W. 2137 Australia; P.O. Box 100, Concord N.S.W. 2137; Tel: (02) 9736 1200; Fax: (02) 9736 1555.

www.hobartfood.com.au

Troubleshooting Chart:	
Problem:	Probable Cause:
No Heat:	Thermostat dial not turned on. Pilot not lit. Gas supply not turned on. Wire connections loose (call service) Wires connections need cleaning (call service) Thermopile (call service)
Insufficient or too much heat:	Thermostat dial not set to desired temperature. High limit tripped (call service) Temperature probe (call service)
Tank will not drain:	Shortening too cold. Drain pipe clogged with debris.



LIMITED ORIGINAL COMMERCIAL EQUIPMENT WARRANTY FOR THE LG SERIES GAS FRYERS

Vulcan warrants the LG Gas Fryer to be free of defects in materials and workmanship for a period of 1 year from the date of original installation.

This Warranty is subject to the following conditions and limitations:

1. This warranty is limited to product(s) sold by Vulcan to the original user in the continental United States and Canada.
2. Original installation must occur within 18 months of date of manufacture, and proof of the installation must be provided to Vulcan.
3. The liability of Vulcan is limited to the repair or replacement of any part found to be defective.
4. Vulcan will bear normal labor charges incurred in the repair or replacement of a warranted piece of equipment within 50 miles (80 kilometers) of an authorized service agency. Time and travel charges in excess of 50 miles (80 kilometers) will be the responsibility of the person or firm requesting the service.
5. This warranty does not apply to any product(s) which have not been installed in accordance with the directions published in the appropriate installation and operation manuals. Vulcan will bear no responsibility or liability for any product(s) which have been mishandled, abused, misapplied, misused, subject to harsh chemical action, (chlorinated or sulfate products), or poor water quality, field modified by unauthorized personnel, damaged by flood, fire, or other acts of nature, or which have altered or missing serial numbers.
6. Vulcan does not recommend or authorize the use of any product(s) in a non-commercial application, including but not limited to residential use. The use or installation of product(s) in non-commercial applications renders all warranties, expressed or implied, including the warranties of MERCHANTABILITY and FITNESS FOR A PARTICULAR PURPOSE, null and void, including any responsibility for damage, cost and legal actions resulting from the use or installation of product(s) in any non-commercial setting.
7. Adjustments such as calibrations, leveling, tightening of fasteners or utility connections normally associated with original installation are the responsibility of the installer and not that of Vulcan.
8. Exception to the 1 year warranty period is as listed:
 Fry Tanks:
 If tank is found to be leaking within the first year of operation from date of installation and verified by an authorized service agency, the entire LG fryer will be replaced. Replacement fryer will be warranted for the balance of the original warranty. Fry tanks found to be leaking that are over 1 year and under 3 years, 50% of the current selling fry tank price, plus labor, freight and mileage will be the responsibility of the person or firm requesting the service. Fry tanks found to be leaking that are over 3 year and under 5 years, 75% of the current selling fry tank price, plus labor, freight and mileage will be the responsibility of the person or firm requesting the service. After 5 years – no fry tank part warranty.
9. Original purchased replacement parts manufactured by Vulcan will be warranted for 90 days from the parts invoice date. This warranty is for parts cost only, and does not include freight or labor charges. Exceptions are stainless steel fry tanks which will be warranted as stated in item 8.
10. This states the exclusive remedy against Vulcan relating to the product(s), whether in contract or in tort or under any other legal theory, and whether arising out of warranties, representations, instructions, installations or defects from any cause. Vulcan shall not be liable, under any legal theory, for loss of use, revenue or profit, or for substituted use or performance, or for incidental, indirect, or special or consequential damages or for any other loss of cost of similar type.
11. THIS WARRANTY AND THE LIABILITIES SET FORTH HEREIN ARE EXCLUSIVE AND IN LIEU OF ALL OF THEIR LIABILITIES AND WARRANTIES, EXPRESSED OR IMPLIED, INCLUDING BUT NOT LIMITED TO, IMPLIED WARRANTIES OR MERCHANTABILITY AND FITNESS FOR PARTICULAR PURPOSE AND CONSTITUTES THE ONLY WARRANTY OF VULCAN WITH RESPECT TO THE PRODUCT(S).



DONE TO PERFECTION.

GUIDE D'INSTALLATION ET D'UTILISATION



FRITEUSES À GAZ SÉRIE LG

MODÈLES :

LG300 ML-136528

LG400 ML-136622

LG500 ML-136643

Pour obtenir des renseignements supplémentaires au sujet de Vulcan-Hart ou pour trouver un fournisseur de pièces et service autorisé dans votre région, veuillez visiter notre site web à www.vulcanequipment.com

RENSEIGNEMENTS DE SÉCURITÉ IMPORTANTS

CE MANUEL A ÉTÉ ÉLABORÉ POUR DU PERSONNEL QUALIFIÉ EN VUE DE L'INSTALLATION D'UN APPAREIL FONCTIONNANT AU GAZ, DE LA MISE EN MARCHE INITIALE SUR LE SITE ET DES AJUSTEMENTS DE L'APPAREIL COUVERT PAR CE MANUEL.

AFFICHEZ À UN ENDROIT VISIBLE LES DIRECTIVES À SUIVRE EN PRÉSENCE D'ODEUR DE GAZ. CES RENSEIGNEMENTS PEUVENT AUSSI ÊTRE OBTENUS AUPRÈS D'UN FOURNISSEUR LOCAL DE GAZ.

IMPORTANT

EN PRÉSENCE D'ODEUR DE GAZ, ARRÊTER L'APPAREIL À L'AIDE DE LA SOUPAPE PRINCIPALE ET COMMUNIQUER AVEC LA COMPAGNIE DE GAZ OU LE FOURNISSEUR DE GAZ POUR LA RÉPARATION DE L'APPAREIL.

POUR VOTRE SÉCURITÉ

NE PAS RANGER NI UTILISER D'ESSENCE OU D'AUTRES VAPEURS OU LIQUIDES INFLAMMABLES DANS LES ENVIRONS DE CET APPAREIL OU DE TOUT AUTRE APPAREIL ÉLECTROMÉNAGER.



Une installation, un ajustement, une modification, une réparation ou un entretien inapproprié peuvent entraîner des dommages, des blessures ou la mort.

Lire attentivement les directives d'installation, d'utilisation et d'entretien avant d'installer ou de faire l'entretien de cet appareil.

TABLE DES MATIÈRES

RENSEIGNEMENTS DE SÉCURITÉ IMPORTANTS.....	20
INTRODUCTION	22
GÉNÉRALITÉS	22
COMMANDE DE PIÈCES	22
CAPACITÉ DE LA FRITEUSE.....	22
DÉBALLAGE	22
INSTALLATION	23
Dégagement	23
Emplacement.....	23
Installation du conduit de fumée.....	24
CODES ET NORMES.....	25
MONTAGE.....	26
ÉVACUATION DE LA FUMÉE.....	26
RACCORDEMENT DU GAZ.....	26
Raccord rapide pour les appareils sur roulettes.....	27
PRESSIONS DE GAZ (TOUS LES MODÈLES) :.....	27
TEST DES CONDUITES D'ALIMENTATION DE GAZ.....	27
FRITEUSES AVEC ROULETTES	27
MISE À NIVEAU DE LA FRITEUSE	28
UTILISATION.....	28
ARRÊT EN CAS DE SURCHAUFFE	29
AVANT LA PREMIÈRE UTILISATION.....	29
Nettoyage	29
REPLISSAGE DU BASSIN DE GRAISSE ALIMENTAIRE	29
ALLUMAGE DE LA FLAMME PILOTE	30
ALLUMAGE DE LA FRITEUSE	31
ARRÊT DE LA FRITEUSE.....	31
ARRÊT PROLONGÉ	32
INSTRUCTIONS DE FRITURE DE BASE.....	32
Directives d'utilisation du panier à friture.....	32
PROLONGATION DE LA DURÉE DE VIE DE LA GRAISSE	
ALIMENTAIRE	33
VIDANGE DE LA CUVE	33
FILTRAGE QUOTIDIEN	33
NETTOYAGE.....	34
Quotidien	34
PROCÉDURE D'ÉBOUILLANTAGE	34
ENTRETIEN.....	35
INSPECTION DU CONDUIT DE FUMÉE	35
Service aux États-Unis et au Canada	35
En Australie.....	35
DÉPANNAGE.....	36
Tableau de dépannage.....	36
GARANTIE.....	37

INTRODUCTION

GÉNÉRALITÉS

Les friteuses Vulcan sont fabriquées avec de la main-d'œuvre qualifiée et des matériaux de qualité. Une installation, une utilisation et un entretien approprié favoriseront des années de performance satisfaisante.

Avant d'installer la friteuse, lisez ce manuel en entier et suivez attentivement toutes les instructions.

Ce manuel s'applique au modèle figurant sur la page de couverture. Les procédures décrites dans ce manuel s'appliquent à tous les modèles sauf indication contraire. Les images et les illustrations peuvent être de n'importe quel modèle sauf si la photo ou l'illustration doit être spécifique du modèle.

COMMANDE DE PIÈCES

Pour accélérer votre commande, indiquez le numéro de modèle, le numéro de série, le type de gaz, la pièce nécessaire, le numéro de référence de l'article (si connu) et la quantité nécessaire.

CAPACITÉ DE LA FRITEUSE				
MODÈLE	Nombre de tubes à chaleur	BTU/h	Largeur po (cm)	Quantité de graisse alimentaire en lb (kg)
LG-300	3	90,000	15.5 (39)	35-40 (16-18)
LG-400	4	120,000	15.5 (39)	45-50 (21-23)
LG-500	5	150,000	21.0 (53)	65-70 (29-32)

DÉBALLAGE

Ce friteuse a été inspecté avant de quitter l'usine. En acceptant sa livraison, le transporteur prend l'entière responsabilité de le livrer en toute sécurité. Immédiatement après la livraison, vérifiez s'il a effectivement subi des dommages pendant le transport.

S'il s'avère que le friteuse a été endommagé, veuillez suivre les procédures suivantes :

1. Le transporteur doit être averti dans les 5 jours ouvrables suivant la réception.
2. Les gens du terminus local du transporteur doivent être avisés immédiatement lors de la découverte des dommages (indiquez l'heure, la date et à qui vous avez parlé) et assurez le suivi en confirmant les faits par écrit ou par communication électronique.
3. Pour fins d'inspection, tout le matériel d'emballage original doit être conservé.
4. Le friteuse ne doit pas avoir été déplacé, installé ou modifié.
5. Avisez le Service à la clientèle de Vulcan immédiatement en faisant le (800) 814-2028.

Vérifiez que les éléments suivants ont été inclus :

- ◆ Ramasse-miettes
- ◆ Support à panier
- ◆ Pattes réglables (4)
- ◆ Rallonge de tuyau de vidange
- ◆ Paniers à friture double (2)
- ◆ Manuel et garantie - Conserver aux fins de référence ultérieure.

N'utilisez pas la porte ou sa poignée pour soulever la friteuse.

INSTALLATION

Avant l'installation de la friteuse, vérifiez que le type de gaz (naturel ou propane) est conforme aux spécifications de la plaque signalétique de la friteuse, située à l'intérieur du panneau de porte. Assurez-vous que la friteuse est configurée pour l'élévation appropriée.

Inscrivez les numéros de modèle, d'appareil et de série de votre friteuse dans l'espace prévu ci-dessous à des fins de référence ultérieure. Ces renseignements sont inscrits sur la plaque signalétique de la friteuse.

N° de modèle de la friteuse : _____

Appareil : _____

N° série : _____

Dégagement

- ◆ Dégagement minimum de toute construction combustible :
 - 6 po (15 cm) sur les côtés de la friteuse
 - 6 po (15 cm) à l'arrière de la friteuse
 - La friteuse peut être installée sur des sols constitués de matériaux combustibles
- ◆ Dégagement minimum de toute construction non combustible :
 - 0 po sur les côtés de la friteuse
 - 0 po à l'arrière de la friteuse
- ◆ Entre la friteuse et toute flamme découverte :
 - 41 cm (16 po)
- ◆ Laissez de l'espace pour l'entretien et l'utilisation

Emplacement

- ◆ Installez la friteuse dans une zone disposant d'une alimentation en air suffisante pour la combustion des gaz des brûleurs de la friteuse.
- ◆ N'obstruez pas la circulation de l'air de combustion et d'aération.
- ◆ Un dégagement approprié des ouvertures d'air dans la chambre de combustion doit être fourni.
- ◆ Ne laissez jamais un ventilateur souffler directement sur la friteuse.
- ◆ Évitez les ventilateurs muraux qui produisent des contre-courants d'air dans la pièce. Évitez d'ouvrir des fenêtres à proximité de la friteuse.
- Le schéma électrique est situé sur le panneau intérieur de la porte.



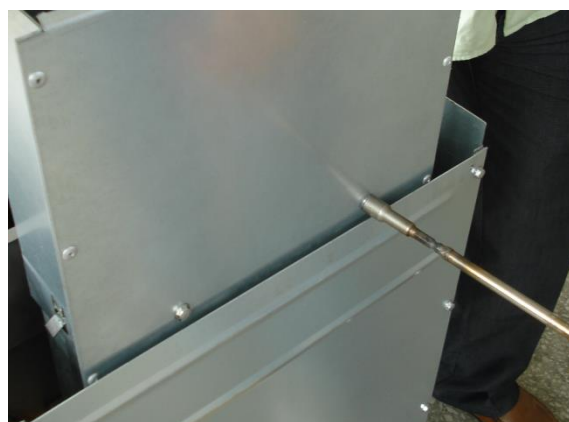
AVERTISSEMENT

INSTALLATION DU CONDUIT DE FUMÉE : AVANT D'UTILISER LA FRITEUSE, INSTALLEZ LE CONDUIT DE FUMÉE DE 10 5/8 PO ET RACCORDEZ-LE À LA FRITEUSE.

1. Déballez le caisson du conduit de fumée et l'enveloppe du conduit.



2. Faites glisser le caisson du conduit de fumée au dessus du conduit et fixez-le à l'aide des deux vis autotaraudeuses en utilisant une douille de 5/16 po



3. Faites glisser l'enveloppe du conduit par dessus le conduit



4. Fixez-la à l'aide de quatre vis autotaraudeuses, deux à l'arrière et une de chaque côté en utilisant une douille de 5/16 po



CODES ET NORMES

La friteuse doit être installée conformément aux codes et normes suivantes :

Aux États-Unis :

- ◆ Codes d'État et codes locaux, ou en l'absence de codes locaux :
- ◆ National Fuel Gas Code, ANSI-Z223.1/NFPA no 54 (plus récente édition). Des exemplaires sont disponibles auprès de The American Gas Association Accredited Standards Committee Z223, @ 400 N. Capital St. NW, Washington, DC 20001 ou du Secretary Standards Council, NFPA, 1 Batterymarch Park Quincy, MA 02169-7471
- ◆ Norme no 96 de NFPA, *Vapor Removal from Cooking Equipment*, plus récente édition, disponible auprès de la National Fire Protection Association, Batterymarch Park, Quincy, MA.
- ◆ Dans le Commonwealth du Massachusetts, tous les appareils à gaz ayant une hotte de ventilation ou un système d'échappement avec un registre ou des dispositifs motorisé d'échappement doivent être conformes à 248 CMR.

Au Canada :

- ◆ Codes locaux
- ◆ CAN/CSA-B149.1 Code d'installation du gaz naturel et du propane (plus récente édition), disponible auprès de l'Association Canadienne du Gaz 350, rue Sparks, Ottawa, Ontario Canada K1R 7S8.
- ◆ CSA C22.1 Code canadien de l'électricité L4W 5N6.

MONTAGE

La friteuse doit être retenue pour empêcher le basculement et la projection de liquide chaud. Le moyen de retenue peut être la méthode d'installation, telle que la connexion à une batterie d'appareils ménagers, l'installation de la friteuse dans une alcôve ou par des moyens distincts, tels que des liens.

ÉVACUATION DE LA FUMÉE

- ◆ Se conformer à la norme ANSI-NFPA no 96 *Vapor Removal from Cooking Equipment* (plus récente édition) disponible auprès de la National Fire Protection Association, Batterymarch Park, Quincy, MA 02269.
- ◆ Placez la friteuse sous une hotte adéquatement raccordée à un conduit d'évacuation. La hotte doit dépasser de 6 po (15 cm) au-dessus des deux côtés de la friteuse.
- ◆ Le dégagement au-dessus de la friteuse doit être adéquat pour que les sous-produits de combustion soient éliminés efficacement.
- ◆ Un dégagement minimum de 18 po (46 cm) doit être maintenu entre le conduit de fumée et les filtres du système d'évacuation de la hotte.
- ◆ Ne raccordez jamais directement le conduit de fumée à la friteuse.
- ◆ N'obstruez pas le débit du gaz de l'appareil. Un bon équilibre de l'air doit être maintenu dans la pièce.
- ◆ Veillez à ce que votre système de ventilation ne cause pas un courant descendant à l'ouverture du conduit de fumée de la friteuse. Un courant descendant ne permet pas l'évacuation adéquate des émissions de la friteuse et entraîne une surchauffe, ce qui peut causer des dommages permanents. Les dommages causés par un courant descendant ne sont pas couverts par la garantie de l'appareil. Ne laissez jamais quoi que ce soit obstruer le conduit de fumée ou la ventilation sortant du conduit de fumée de la friteuse. Ne placez rien sur le dessus du conduit de fumée.

RACCORDEMENT DU GAZ

REMARQUE

Toutes les connexions d'alimentation en gaz et toute pâte à joint doivent être résistantes à l'action du gaz propane.

L'entrée de gaz se trouve au bas de la face arrière de la friteuse. Les codes exigent qu'un robinet d'arrêt soit installé dans la conduite de gaz à l'avant de la friteuse.

La conduite d'alimentation en gaz doit être au moins l'équivalent d'un tuyau en fer de ½ po (12,7 mm) pour les appareils simples et de 1-1/4 po (31,75 mm) pour les batteries. Si vous utilisez le tuyau flexible à raccord rapide optionnel, il doit être l'équivalent d'un tuyau de fer de ¾ po (19 mm).

Assurez-vous que les tuyaux sont propres et libres de toute obstruction, saleté ou pâte à joint. Une batterie de réservoirs nécessite une ou deux connexions de taille correspondant à l'exigence du gaz.



AVERTISSEMENT Avant l'allumage, vérifiez tous les raccords de la conduite d'alimentation de gaz pour vous assurer qu'il n'y a pas de fuite. Utilisez une solution de savon et d'eau. N'utilisez pas une flamme nue.

Après avoir vérifié l'absence de fuites dans la tuyauterie, purgez entièrement les tuyaux de gaz afin de supprimer l'air.

PRESSIONS DE GAZ (TOUS LES MODÈLES) :

La pression du gaz doit être réglée à 4 po CE (colonne d'eau) (0,8 kPa) pour le gaz naturel et 10 po CE (2,75 kPa) pour le gaz propane. Si la pression entrante dépasse ½ PSI (3,45 kPa), un régulateur de pression supplémentaire doit être installé.

TEST DES CONDUITES D'ALIMENTATION DE GAZ

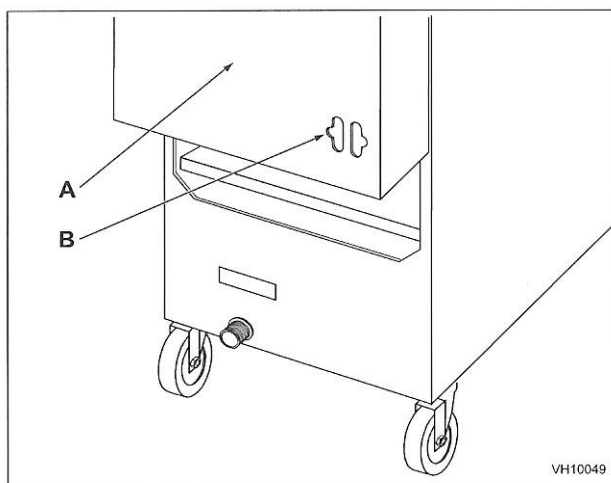
Lorsque la pression d'essai dépasse 1/2 psi (3,45 kPa), la friteuse et son robinet d'arrêt individuel doivent être débranchés du système de conduite d'alimentation de gaz.

Lorsque la pression d'essai est de 1/2 psi (3,45 kPa) ou moins, la friteuse doit être isolée du système d'alimentation de gaz en fermant le robinet d'arrêt manuel individuel.

Friteuses avec roulettes : (Le dispositif de retenue n'est pas fourni avec la friteuse ou les roulettes).

Des instructions distinctes pour l'installation des roulettes sont incluses avec les roulettes :

- ♦ L'installation doit être effectuée au moyen d'un raccord qui est conforme à la norme applicable aux connecteurs pour appareils mobiles au gaz (*Standard for Connectors for Movable Gas Appliances*), ANSI Z21.69 ou à la norme *Connectors for Moveable Gas Appliances* CAN/CGA-6.16, et un dispositif de déconnexion rapide conforme à la norme *Standard for Quick-Disconnect Devices for Use with Gas Fuel*, ANSI z21.41 ou *Quick-Disconnect Devices for Use with Gas Fuel*, CSA 6.9.
- ♦ Lors de l'installation d'un raccord rapide, vous devez également installer un dispositif pour limiter le mouvement de la friteuse. Ce dispositif permettra d'éviter l'imposition d'une force excessive sur la conduite de gaz ou au raccord rapide. Le dispositif de retenue doit être fixé à la découpe du panneau arrière. Consultez l'illustration pour l'emplacement. Si la déconnexion du dispositif de retenue est nécessaire pour l'entretien ou le nettoyage, rebranchez le dispositif de retenue après que la friteuse a été replacée dans sa position d'origine.



A Arrière de la friteuse
B Connexion de la chaîne du détendeur
(chaîne fourni par d'autres)

- ◆ La friteuse doit être installée à l'aide d'un connecteur (non fourni par Vulcan) conforme aux codes ci-dessus.
- ◆ La friteuse doit être installée avec un dispositif de retenue afin d'éviter la transmission de tension au connecteur. Consultez l'illustration.
- ◆ La friteuse doit être installée avec les roulettes fournies.
- ◆ Si le dispositif de retenue doit être déconnecté, fermez d'abord l'alimentation en gaz.

MISE À NIVEAU DE LA FRITEUSE

Vérifiez le niveau de la friteuse en plaçant un niveau sur le dessus de la friteuse une fois que le raccordement du gaz a été fait.

Veillez à ce que la friteuse soit de niveau de l'avant à l'arrière et d'un côté à l'autre dans la position d'installation finale.

Si des roulettes sont utilisées, verrouillez les roues une fois que l'appareil est à niveau.

UTILISATION

⚠ AVERTISSEMENT L'huile et les pièces chaudes peuvent causer des brûlures. Soyez prudent lors de l'utilisation, du nettoyage et de l'entretien de la friteuse.

⚠ AVERTISSEMENT Le déversement de composé de friture chaude peut causer de graves brûlures. Ne déplacez pas la friteuse sans vidanger tous les composés de friture de la cuve.

ARRÊT EN CAS DE SURCHAUFFE

Si la graisse alimentaire devient surchauffée, un dispositif d'arrêt en cas de haute température ferme la soupape à gaz et éteint la flamme pilote.

Si la friteuse s'arrête en raison d'une surchauffe, ne rallumez pas la flamme pilote avant que la température de la graisse alimentaire soit en dessous de 300 F (149 C).

Si le problème de surchauffe persiste, contactez votre centre de service Vulcan-Hart autorisé.

AVANT LA PREMIÈRE UTILISATION

Nettoyage

Les appareils neufs sont essuyés à l'usine pour retirer tout signe visible de saleté, d'huile, de graisse, etc. restant du procédé de fabrication.

Avant toute préparation de nourriture, lavez soigneusement l'huile protectrice de la surface de toutes les pièces et l'intérieur de la cuve avec de l'eau chaude savonneuse pour retirer tout résidu du film et la poussière ou les débris.

REMARQUE

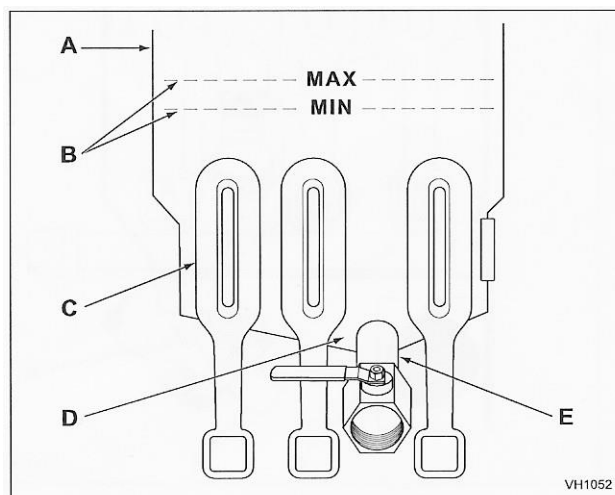
N'utilisez pas d'agent nettoyant à base de chlore ou de sulfate/sulfure.

- ◆ Lavez tous les accessoires livrés avec l'appareil.
- Rincez soigneusement la friteuse et les accessoires et vidangez la friteuse.
- ◆ Essuyez la cuve complètement avec un linge doux.

REPLISSAGE DU BASSIN DE GRAISSE ALIMENTAIRE

REMARQUE

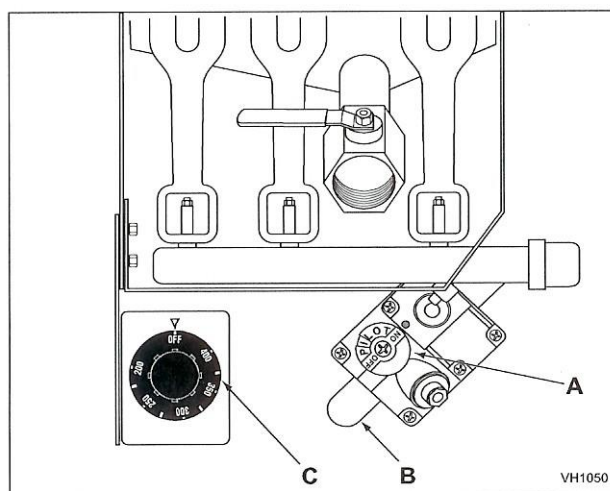
La graisse alimentaire solide ne doit PAS être utilisée dans les friteuses LG300 et LG400. Fondre la graisse alimentaire solide endommagera la cuve et annulera la garantie.



- A Cuve de la friteuse**
- B Lignes de niveaux de remplissage MIN et MAX**
- C Conduits de chaleur**
- D Zone froide**
- E Tuyau de vidange**

- ◆ Fermez le robinet de vidange.
- ◆ Remplissez la cuve de la friteuse de graisse alimentaire liquide.
- ◆ Le niveau de graisse doit se situer entre les lignes max et min de la cuve de la friteuse.
- ◆ La graisse prend de l'expansion lorsqu'elle est chauffée. Ne remplissez pas la cuve de la friteuse au-dessus de la ligne MAX.
- ◆ Ajoutez de la nouvelle graisse alimentaire au besoin pour maintenir le niveau d'huile.

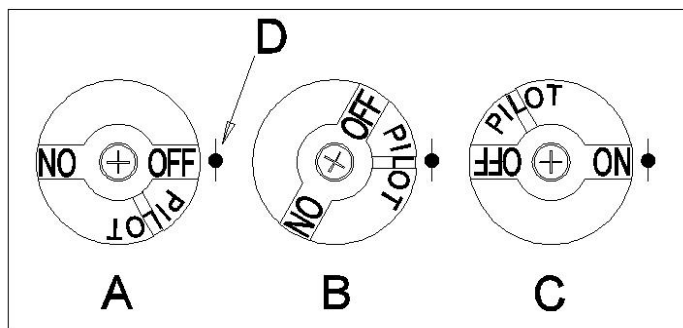
ALLUMAGE DE LA FLAMME PILOTE



- A Bouton de soupape à gaz**
- B Alimentation en gaz**
- C Bouton du thermostat**

VULCAN LG FRYERS

1. Ouvrez la porte.
2. Tournez le thermostat à la position d'arrêt (OFF). Le thermostat est situé derrière la porte.
3. Poussez le bouton du robinet de commande du gaz et tournez-la à la position OFF (voir la figure ci-dessous, vue A). Attendez 5 minutes pour que le gaz imbrûlé s'évacue.
4. Poussez et tournez le bouton du robinet de commande du gaz vis-à-vis du "L" de PILOT (voir la figure ci-dessous, vue B).
5. Tout en maintenant le bouton enfoncé, allumez la flamme pilote avec une flamme nue. Continuez à appuyer sur le bouton jusqu'à ce que la flamme pilote reste allumée lors que le bouton est relâché. Si la flamme pilote ne reste pas allumée, répétez les étapes 3 à 5.
6. Enfoncez le bouton de commande du gaz et tournez-le à la position de marche (ON) (voir la figure ci-dessous, vue C).
7. Si l'alimentation en gaz est interrompue, répétez les étapes 2 à 6.



- A** Bouton de soupape à gaz, Vue A
- B** Bouton de soupape à gaz, Vue B
- C** Bouton de soupape à gaz, Vue C
- D** Point d'indication, Toutes les vues

ALLUMAGE DE LA FRITEUSE

- ◆ Réglez le bouton de température à la température désirée.
- ◆ Après que la température réglée est atteinte, le thermostat arrête le débit de gaz aux brûleurs.
- ◆ La flamme pilote allumée. Les brûleurs effectuent des cycles de marche-arrêt, afin de maintenir la température réglée.

ARRÊT DE LA FRITEUSE

1. Tournez le thermostat à la position OFF.
2. Pour garder la flamme pilote allumée, tournez la soupape à gaz à la position "L" de PILOT.

3. Pour fermer toute arrivée de gaz au système, y compris la flamme pilote, tournez le bouton de la soupape à gaz à la position d'arrêt (OFF).

ARRÊT PROLONGÉ

1. Tournez le bouton du thermostat à la position OFF.
2. Poussez sur le bouton de la veilleuse et tournez-le à la position OFF.
3. Vidangez complètement la friteuse. Consultez VIDANGE DE LA FRITEUSE.
4. Nettoyez la friteuse tel qu'indiqué dans la section NETTOYAGE.
5. Fermez le robinet d'arrêt de gaz principal.

INSTRUCTIONS DE FRITURE DE BASE

- ◆ Réglez la température souhaitée et laissez chauffer la graisse alimentaire à cette température.
- ◆ Faites frire des éléments qui sont de la même taille afin d'assurer une cuisson égale.
- ◆ Égouttez ou essuyez les aliments crus ou humides pour minimiser les éclaboussures lorsque les aliments sont abaissés dans la graisse chaude.
- ◆ Ajoutez de la nouvelle graisse alimentaire au besoin.

Directives d'utilisation du panier à friture

- ◆ Ne remplissez pas trop les paniers. (Voir le tableau ci-dessous au sujet des capacités recommandées pour les paniers). Déposez soigneusement le panier dans l'huile.
- ◆ Lors de la friture de beignes et de beignets, retournez le produit une seule fois pendant la cuisson.
- ◆ Lors de la cuisson de frites ou de rondelles d'oignons, secouez le panier plusieurs fois.
- ◆ Les aliments enrobés de pâte devraient être déposés avec précaution, un par un, dans l'huile ou le panier. Si vous utilisez le panier, trempez d'abord le panier dans l'huile pour réduire l'accumulation de pâte sur les surfaces du panier.
- ◆ Lorsque la friture est terminée, retirez le panier ou le produit. Accrochez le panier au support arrière.

Capacité du panier à friture :

LG300, LG400 : Nombre de livres recommandées par panier - 1,5 lb. (0,7 kg).

LG500 Nombre de livres recommandées par panier - 3 lb (1,4 kg).

PROLONGATION DE LA DURÉE DE VIE DE LA GRAISSE ALIMENTAIRE

La durée de vie de la graisse alimentaire peut être prolongée en respectant les directrices suivantes :

- ♦ Ne pas saler les aliments au-dessus de la friteuse.
- ♦ Utiliser une bonne qualité de graisse alimentaire.
- ♦ Filtrer la graisse alimentaire quotidiennement (au minimum).
- ♦ Remplacer la graisse alimentaire si son odeur devient mauvaise.
- ♦ Maintenir la propreté de l'appareil et de son environnement.
- ♦ Régler le thermostat correctement.
- ♦ Retirer l'excès d'humidité et les particules des produits alimentaires avant de mettre dans la friteuse.

VIDANGE DE LA CUVE

1. Tournez le thermostat à OFF.
2. Pour garder la flamme pilote allumée, tournez la soupape à gaz à PILOT.
3. Dirigez le bec de vidange dans le récipient dans lequel vous voulez vidanger la graisse.
4. Ouvrez le robinet de vidange. L'huile s'écoulera dans le récipient. Lorsque le récipient est plein ou lorsque la cuve de la friteuse est vide, fermez le robinet de vidange. Répétez cette étape jusqu'à ce que la friteuse soit vide.
5. Si vous le souhaitez, effectuez le nettoyage hebdomadaire tel que décrit sous la rubrique NETTOYAGE.
6. Une fois que le réservoir est complètement vide, ajoutez de la nouvelle graisse alimentaire et réglez le thermostat à la température désirée.

FILTRAGE QUOTIDIEN



AVERTISSEMENT

L'huile chaude et les pièces chaudes peuvent causer des brûlures. Soyez prudent lors de l'utilisation, du nettoyage et de l'entretien de la friteuse.

- ♦ Filtrez la graisse au moins une fois par jour. Consultez les directives fournies avec le matériel de filtrage.
- ♦ Si la friteuse est froide, le filtrage ne s'effectue pas correctement. Filtrez toujours la graisse lorsque sa température se situe entre 250 °F et 350 °F. La graisse de la zone froide restera dure si l'élément chauffant ne chauffe que quelques minutes. Si nécessaire, utilisez la tige de nettoyage pour mélanger délicatement la graisse dure dans une zone au-dessus de la zone froide où elle fondra. Utilisez la brosse à cuve pour déloger les débris des côtés et des tubes.

NETTOYAGE



L'huile chaude et les pièces chaudes peuvent causer des brûlures. Soyez prudent lors de l'utilisation, du nettoyage et de l'entretien de la friteuse.

Chaque jour

Nettoyez votre friteuse régulièrement avec la brosse à cuve ainsi qu'avec un chiffon humide, et polissez avec un chiffon sec et doux. Si le nettoyage régulier est négligé, la graisse brûlée s'incrusterait et une décoloration peut apparaître.

Les empreintes digitales sont parfois un problème sur les surfaces très polies en acier inoxydable. Elles peuvent être minimisées en appliquant un nettoyant qui laissera un mince film huileux ou cireux.

- ◆ Nettoyez toutes les surfaces extérieures de la friteuse au moins une fois par jour.
- ◆ Utilisez un chiffon humidifié avec de l'eau tiède et un savon ou un détergent doux.

REMARQUE

N'utilisez pas d'agent nettoyant à base de chlore ou de sulfate/sulfure.

- ◆ Rincez en profondeur, puis polissez avec un linge doux.
- ◆ Gardez l'extérieur de la friteuse propre et exempt d'accumulation de graisse pour éviter la formation de taches tenaces. Si le nettoyage régulier est négligé, la graisse brûlée s'incrusterait et une décoloration peut apparaître.
- ◆ Enlevez toute décoloration par un lavage avec de l'eau et du détergent ou du savon.
- ◆ Utilisez un tampon à récurer automoussant non métallique pour les décolorations particulièrement tenaces.
- ◆ Frottez toujours dans le sens du grain de l'acier inoxydable.
- ◆ N'utilisez pas de tampon à récurer métallique ou des nettoyants abrasifs.

PROCÉDURE D'ÉBOUILLANTAGE

Chaque semaine ou au besoin :

1. Vidangez la cuve tel que décrit sous VIDANGE DE LA CUVE.
2. Une fois que la graisse alimentaire a été vidangée, rincez les restes et les sédiments avec un peu de graisse alimentaire chaude, en vous servant de la brosse à cuve. Laissez la cuve se vider complètement.

3. Fermez le robinet de vidange et remplissez la cuve d'eau. Utilisez un nettoyant/dégraissant peu moussant pour nettoyer la cuve de friture. Suivez les instructions figurant sur le côté de l'emballage.

REMARQUE

N'utilisez pas d'agent nettoyant à base de chlore ou de sulfate/sulfure.

4. Ajoutez une solution de dégraissage commerciale. Le niveau de la solution doit se situer entre les lignes MIN et MAX de la cuve de la friteuse.
5. Réglez le thermostat à la température recommandée pour la solution utilisée. Ne dépassez pas 200 °F. Laissez la solution mijoter pendant environ 15 à 20 minutes.
6. Vidangez la solution de nettoyage de la cuve.
7. Fermez le robinet de vidange et remplissez la cuve d'eau. Ajoutez 1 tasse (1/4 L) de vinaigre pour neutraliser tout alcali laissé par le nettoyant. Le niveau de la solution doit se situer entre les lignes MIN et MAX de la cuve de la friteuse.
8. Portez la solution à douce ébullition seulement, fermez le thermostat. Laissez reposer pendant quelques minutes.
9. Vidangez la cuve tel que décrit sous VIDANGE DE LA CUVE. Rincez à fond à l'eau claire et chaude. Toute trace de nettoyant doit être enlevée. Séchez soigneusement la cuve.
10. Fermez le robinet de vidange et ajoutez la graisse alimentaire. Suivez la procédure de REMPLISSAGE DE LA CUVE DE GRAISSE ALIMENTAIRE de ce manuel. La friteuse est maintenant prête à l'emploi.

ENTRETIEN



AVERTISSEMENT

L'huile chaude et les pièces chaudes peuvent causer des brûlures. Soyez prudent lors de l'utilisation, du nettoyage et de l'entretien de la friteuse.



AVERTISSEMENT

Le déversement de composé de friture chaude peut causer de graves brûlures. Ne déplacez pas la friteuse sans vidanger tous les composés de friture de la cuve.

INSPECTION DU CONDUIT DE FUMÉE

Inspectez une fois l'an, lorsque la friteuse est froide. Vérifiez le conduit de fumée et éliminez toute obstruction.

Service aux États-Unis et au Canada

Consultez www.vulcanequipment.com pour trouver le bureau de service le plus près.

En Australie

Contactez Hobart Food Equipment PTY. LTD., 16 Hilly Street Morlake, N.S.W. 2137 Australia; P.O. Box 100, Concord N.S.W. 2137; Tél. : (02) 9736 1200; Téléc.: (02) 9736 1555. www.hobartfood.com.au

Tableau de dépannage :	
Problème :	Cause probable :
Pas de chaleur :	Le cadran du thermostat n'est pas allumé. La flamme pilote n'est pas allumée. L'alimentation en gaz n'est pas ouverte. Connexions de fils lâches (appelez un technicien) Les connexions de fils ont besoin d'être nettoyées (appelez un technicien) Thermopile (appelez un technicien)
Chaleur insuffisante ou trop élevée :	Le cadran du thermostat n'est pas réglé à la température souhaitée. Dispositif de commande à maximum déclenché (appelez un technicien) Sonde de température (appelez un technicien)
La cuve ne se vide pas :	Graisse trop froide. Tuyau de vidange obstrué par des débris.



DONE TO PERFECTION.

GARANTIE ORIGINALE LIMITÉE DE L'ÉQUIPEMENT COMMERCIAL DES FRITEUSES À GAZ DE LA SÉRIE LG

Vulcan garantit que la friteuse à gaz LG est exempte de vices de matériau et de fabrication pour une période de 1 an à compter de la date d'installation d'origine.

Cette garantie est soumise aux conditions et restrictions suivantes :

1. Cette garantie est limitée au(x) produit(s) vendu(s) par Vulcan à l'utilisateur original dans le territoire continental des États-Unis et du Canada.
2. L'installation d'origine doit être réalisée dans les 18 mois de la date de fabrication, et la preuve de l'installation doit être fournie à Vulcan.
3. La responsabilité de Vulcan est limitée à la réparation ou au remplacement de toute pièce jugée défectueuse.
4. Tous les frais normaux de main-d'œuvre encourus pour la réparation ou le remplacement d'une pièce garantie du matériel dans un rayon de 50 milles (80 kilomètres) d'un centre de service autorisé seront à la charge de Vulcan. Le temps et les frais de déplacement au-delà de 50 milles (80 kilomètres) seront de la responsabilité de la personne ou de l'entreprise qui demande le service.
5. Cette garantie ne s'applique pas à tout produit qui n'a pas été installé conformément aux instructions publiées dans les guides d'installation et d'utilisation pertinents. Vulcan n'assumera aucune responsabilité ou obligation pour tout produit qui a été manipulé de façon inappropriée, utilisé à mauvais escient, mal appliqué, mal utilisé, exposé à l'action de produits chimiques agressifs, (produits chlorés ou de sulfate), ou à de l'eau de mauvaise qualité, modifié sur place par du personnel non autorisé, endommagé par une inondation, un incendie ou d'autres actes de la nature, ou dont le numéro de série a été modifié ou est effacé.
6. Vulcan ne recommande ni n'autorise l'utilisation de tout produit dans une application non commerciale, y compris mais sans s'y limiter, une utilisation résidentielle. L'utilisation ou l'installation du produit dans une application non commerciale rend toutes les garanties, expresses ou implicites, y compris les garanties de QUALITÉ MARCHANDE et d'ADÉQUATION À UN USAGE PARTICULIER, nulles et non avenues, y compris toute responsabilité pour tout dommage, coût et action juridique résultant de l'utilisation ou l'installation du produit dans un environnement non commercial.
7. Les ajustements tel que pour la calibration, la mise à niveau, le serrage des fixations ou les connexions au service public normalement associés à l'installation d'origine relèvent de l'installateur et non pas de Vulcan.
8. Exception à la période de garantie de 1 an :
 Cuves de friture :
 Si le réservoir fuit dans la première année d'utilisation à compter de la date d'installation et après une vérification par un technicien autorisé, la friteuse LG sera entièrement remplacée. La friteuse de remplacement sera garantie pour le reste de la garantie originale. Pour les cuves de fritures qui ne sont plus étanches après plus de 1 an et moins de 3 ans, 50% du prix courant de la cuve de friture, plus la main d'œuvre, les frais de transport et le kilométrage relèveront de la personne ou de l'entreprise qui demande le service. Pour les cuves de fritures qui ne sont plus étanches après plus de 3 an et moins de 5 ans, 75% du prix courant de la cuve de friture, plus la main d'œuvre, les frais de transport et le kilométrage relèveront de la personne ou de l'entreprise qui demande le service. Après 5 ans - aucune garantie partielle n'est offerte pour la cuve de friture.
9. Les pièces de rechange d'origine fabriquées par Vulcan seront garanties pour une période de 90 jours à compter de la date de facturation de la pièce. Cette garantie couvre le coût des pièces uniquement, et ne comprend pas les frais de transport et de main-d'œuvre. Les cuves de friture en acier inoxydable font exception et seront garanties tel qu'indiqué à l'article 8.
10. Cette déclaration de garantie énonce le recours exclusif contre Vulcan relativement au(x) produit(s), soit dans le cadre d'un contrat ou d'un délit ou de toute autre théorie juridique, et découlant de garanties, de représentations, d'instructions, de l'installation ou des défauts de toute cause. Vulcan ne pourra être tenu responsable, en vertu de toute théorie juridique, de la perte d'utilisation, de revenus ou de profits ou de l'utilisation ou de la performance substitués, ou des dommages directs, indirects, spéciaux ou consécutifs, ou de toute autre perte de coût de type similaire.
11. CETTE GARANTIE ET LES RESPONSABILITÉS ÉNONCÉES DANS LE PRÉSENT DOCUMENT SONT EXCLUSIVES ET REMPLACENT TOUTES LES RESPONSABILITÉS ET GARANTIES, EXPRESSES OU IMPLICITES, Y COMPRIS MAIS SANS S'Y LIMITER, LES GARANTIES IMPLICITES DE QUALITÉ MARCHANDE ET D'ADÉQUATION À UN USAGE PARTICULIER, ET CETTE GARANTIE CONSTITUE LA SEULE GARANTIE DE VULCAN À L'ÉGARD DU OU DES PRODUIT(S).