



INSTRUCTION MANUAL

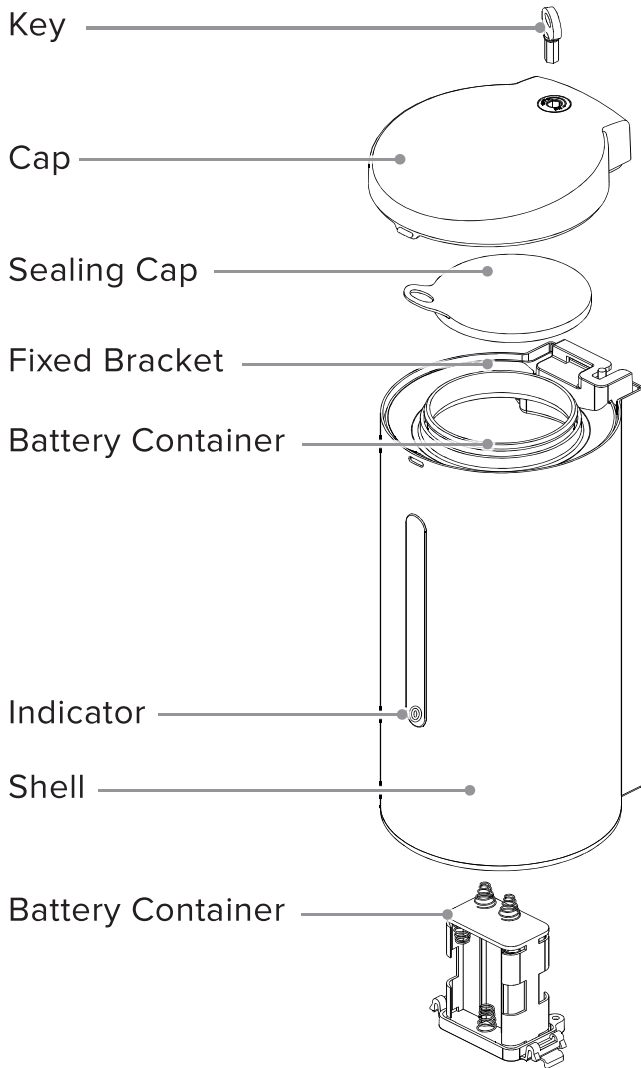


READ ENTIRE MANUAL BEFORE USE

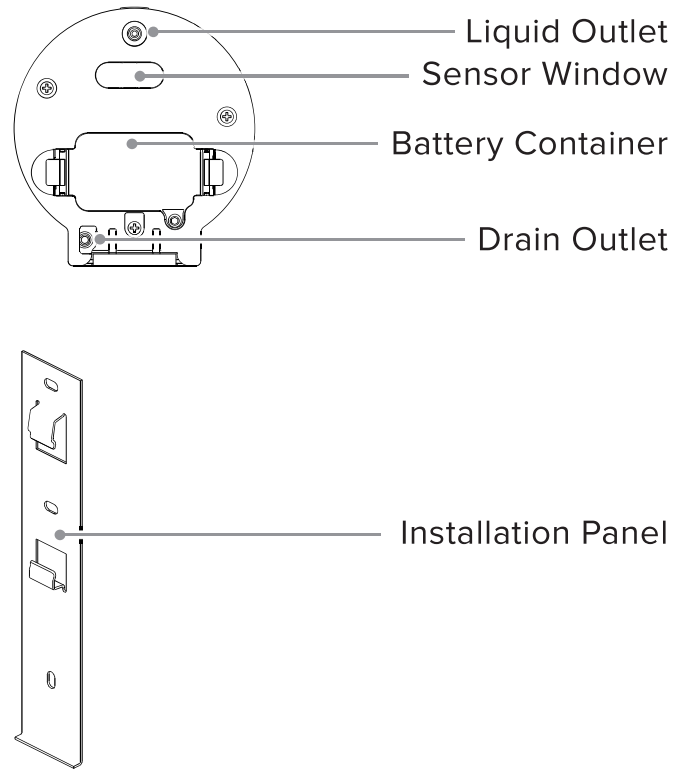
STAINLESS STEEL
LIQUID SOAP/SANITIZER DISPENSER
#158LAVAK05SS

07/2020

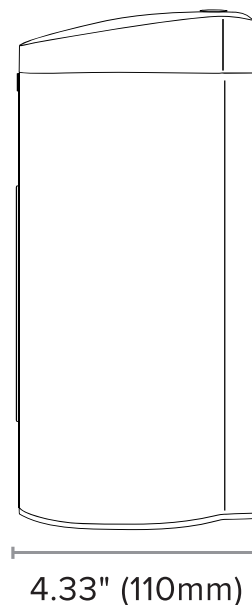
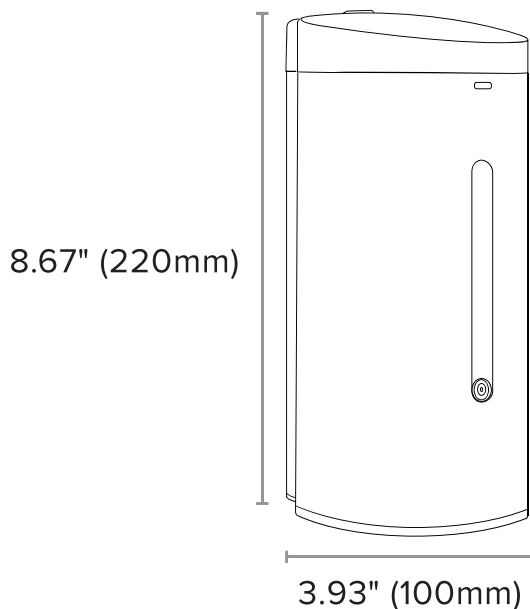
PART DIAGRAM



BOTTOM VIEW



DIMENSIONS



CAUTION

- This unit contains electrical devices and valves, handle with care.
- Disassemble unit with care to avoid damaging liquid feed line.
- Only clean unit with neutral detergents, and dry with a soft cloth.
- Do not clean unit with water or non-neutral detergents to avoid surface damage or internal electrical failure. Only clean sensing area on underside of unit with a soft, dry cloth to avoid sensing errors.
- Unit must be installed at least 14" above surfaces to avoid sensor malfunction.

IMPORTANT SAFETY INSTRUCTIONS

Please follow the instructions below to ensure that your unit performs optimally:

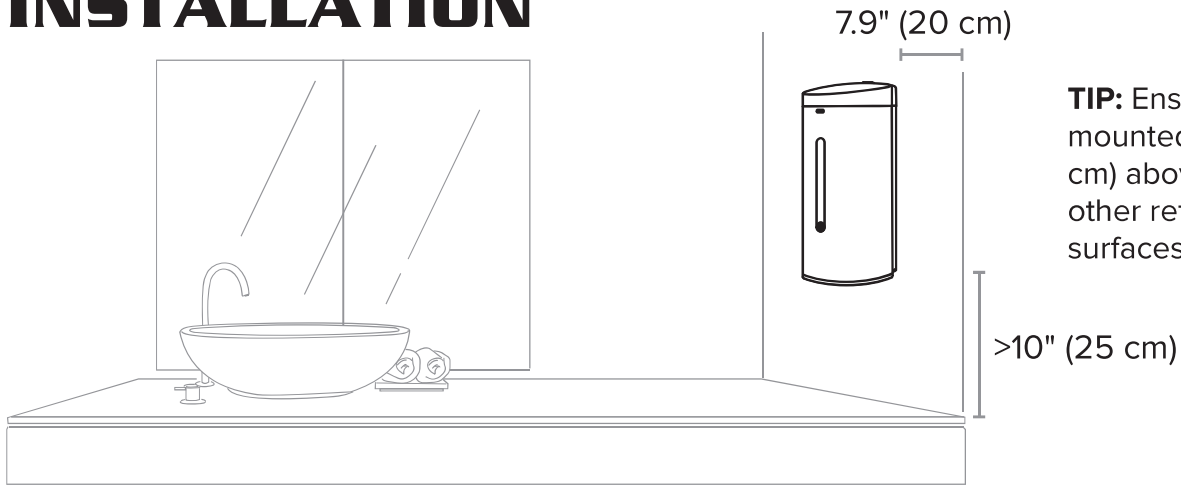
- Read user manual and installation instructions in their entirety before installing unit.
- Ensure that (6) new, identical batteries are used when replacing batteries. Old or mismatched batteries may damage the unit.
- Ensure that mounting surface is flat and free of dirt and debris before installing.
- Ensure that the unit is mounted at least 10" (25cm) above horizontal surfaces.
- Installation must be performed by a professional.
- Do not mount unit with reflective objects in its sensing distance.
- This unit is for indoor use only.

PACKING LIST

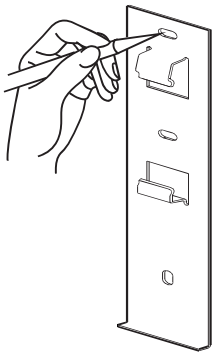
- | | |
|------------------------|-------------------------|
| (1) Unit | (1) Key |
| (1) Installation Panel | (1) Installation Manual |
| (3) ST4x25 Screws | (1) Certification |
| (3) Expansion Screws | |

- Open packaging and handle unit with care to avoid damage.
- Contact your distributor if any parts of the unit are missing or damaged before installation.
- Replacement part specifications are subject to change over time. Contact your distributor in case of non-applicable replacement parts.

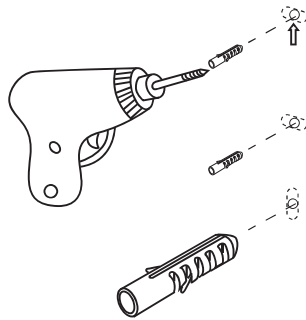
INSTALLATION



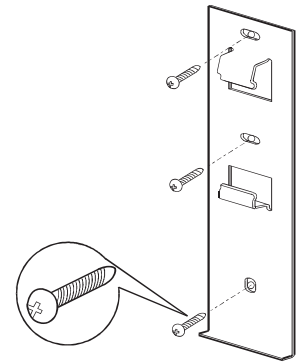
TIP: Ensure that unit is mounted at least 14" (35 cm) above stainless steel or other reflective countertop surfaces.



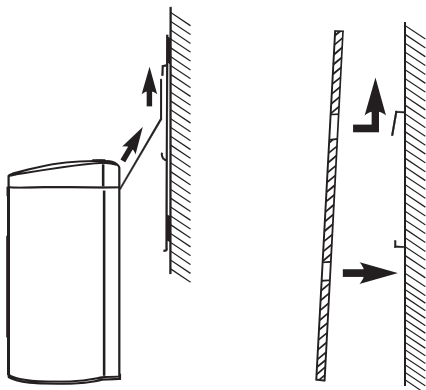
1. Place mounting bracket where the unit will be secured to the wall. Mark the locations of the 3 holes.



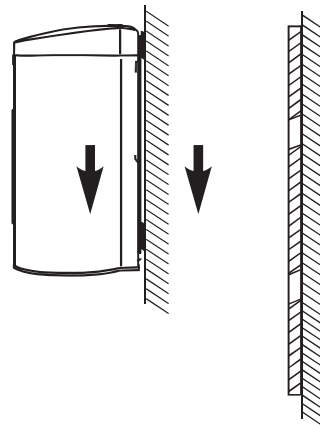
2. Drill holes into the marked areas of the mounting surface. After holes are drilled, insert expansion screw heads into the corresponding holes.



3. Place mounting plate on the wall, corresponding with the expansion screw heads. Then fasten mounting plate with screws in corresponding locations.

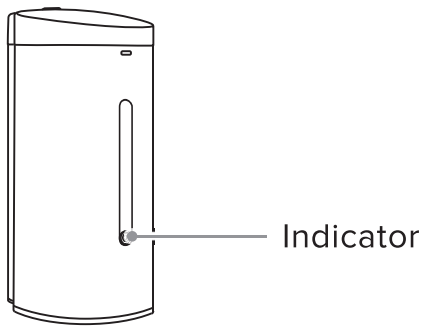


4. Line up grooves in back of unit with the mounting plate, and slide dispenser into bracket until it locks into place.

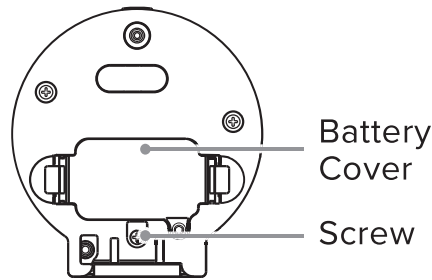


5. Push unit downward on the mounting bracket until the connection is secure.

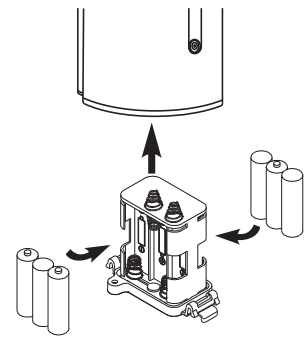
BATTERY INSTALLING & REPLACEMENT



1. Keep the body straight up when the LED light is flashing.



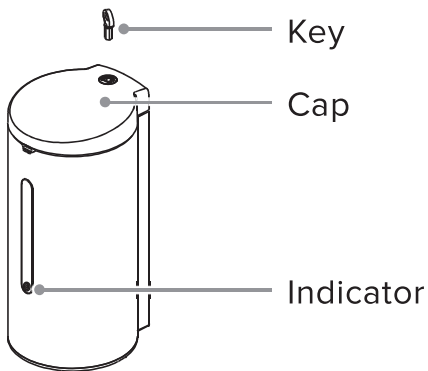
2. Unscrew the screws and pick out the battery container.



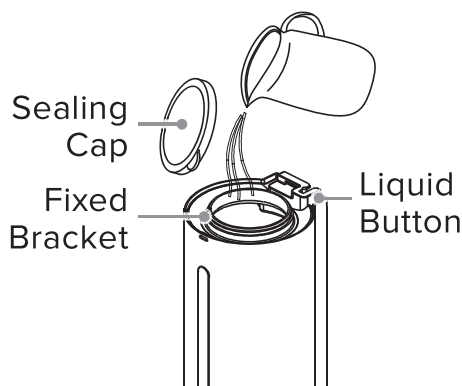
CAUTION

- After installing batteries, hold liquid adjustment button for 3 seconds. LED light will flash 3 times. At that point, the unit will enter standby mode. Hold the liquid adjustment button for 3 seconds to return the unit to sleep mode.
- Please keep batteries installed in unit even while in storage. If no use has been detected in 72 hours, the unit will automatically run once in order to avoid tube adhesion.

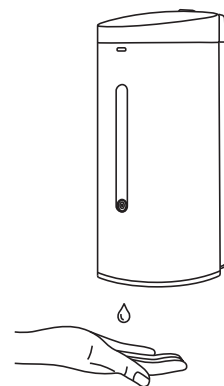
HOW TO USE



1. Insert key into lock on top of the unit to open the top cover. After batteries are installed, hold the adjustment button for 3 seconds. The LED light will flash 3 times to indicate that the unit is on.



2. After top cover is removed, open sealing cap and fill unit with liquid soap or sanitizer. Clean any overflowing liquid from the unit, and replace the cap on the unit.

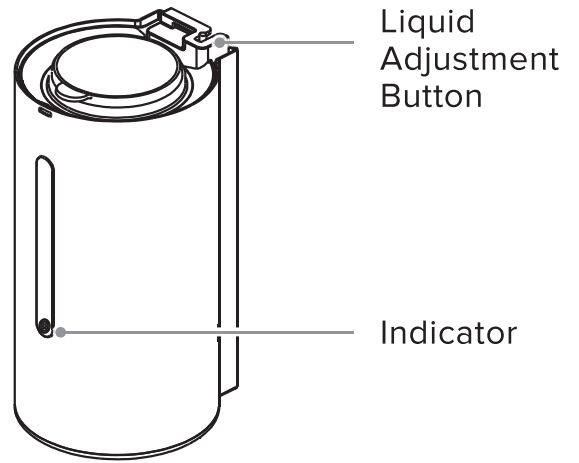


WARNING

- Children using the unit must be accompanied by an adult to avoid injury or malfunction.
- Please ensure proper disposal of depleted batteries.
- Keep unit dry at all times to avoid electrical malfunction.

LIQUID ADJUSTMENT

- While unit is in standby, amount of liquid dispensed per activation can be adjusted with the liquid adjustment button on top of the unit.
- Default output volume is roughly 1 ml per use.
- Output will be increased by .5ml per button press.
- There are 5 total levels of output, ranging from .5 - 2.5ml.
- Output may change slightly depending on type of liquid.



TROUBLESHOOTING

- TIP: Keep fluid container clean and free of dirt and dust to avoid blockages.

Problem	Reason	Potential Solution
LED INDICATOR OFF	Control System Trouble	Replace the Controller
	Power Supply Problem	Check Circuits and Batteries
	Batteries - Poor Contact or Out of Power	Reinstall or Replace Batteries
	Circuits - Problem or Poor Contact	Check Circuits
	Indicator Sight Blocked	Clean the Indicator Window
LED LIGHT FLASH	Not Enough Power	Replace Batteries
INDICATOR ON WITHOUT LIQUID SUPPLY	Sensor Continue Working	Remove Sensing Object
	Out of Sensing Distance	Place Hand Directly Below Sensor, Slowly Move Side to Side and Up and Down Until Soap Dispenses
	Unit Fault	Contact the Dealer
INSUFFICIENT LIQUID SUPPLY	Short Liquid Supply Time	Adjust Liquid Output
	Liquid is Too Viscous	Reduce Liquid Viscosity
	Liquid Coagulation or Obstruction	Try Clearing Lines or Contact the Dealer