

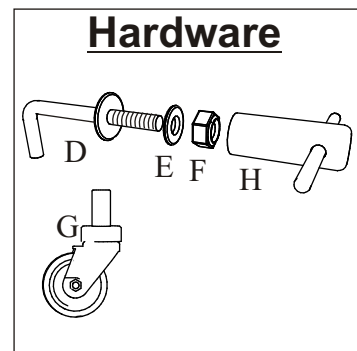
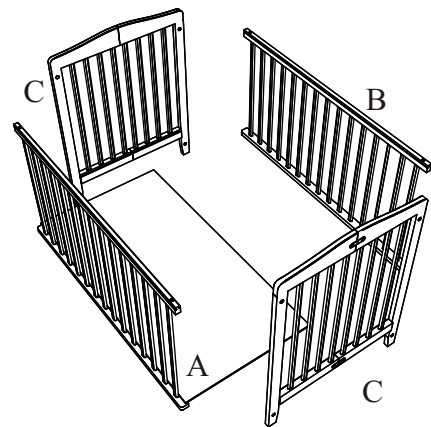
THE FULL SIZE FOLDING WOOD CRIB

Warnings & Instructions

Product # 983

Read *all* instructions and warnings before assembly and use of crib. Be sure to check that parts listed below are included before assembling this crib.

Parts List	Pieces per Unit
A) Rail with mattress support	1
B) Side Rail	1
C) End Panels	2
D) L-Bolts	8
E) Washers	8
F) Lock Nuts	8
G) Casters	4
H) Wrench	1



Care Instruction:

Your crib may be cleaned, using a damp cloth and ordinary mild domestic detergent. Do not use abrasives or bleach. Wipe dry.

This crib conforms to applicable regulations promulgated by the Consumer Product Safety Commission.

THIS CRIB PASSES COMMERCIAL CRIB STANDARDS OF A.S.T.M. 2710

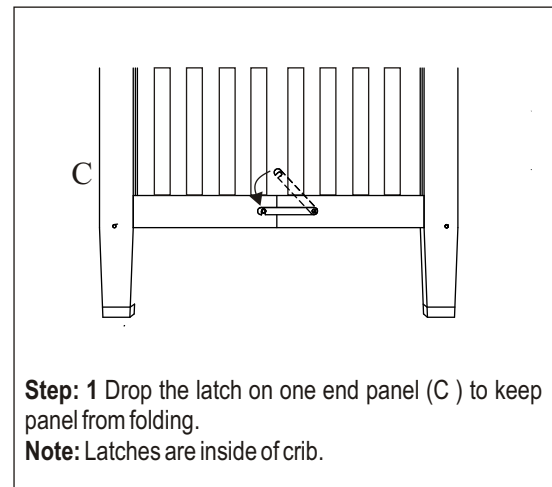
This crib meets
Federal Standard: 16 CFR 1219



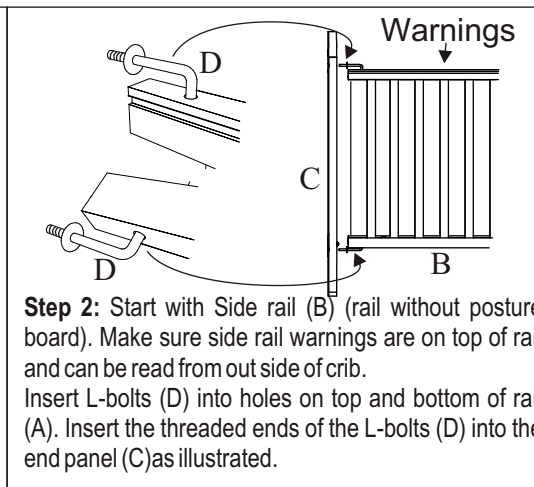
Date of MFG. _____

Made in China

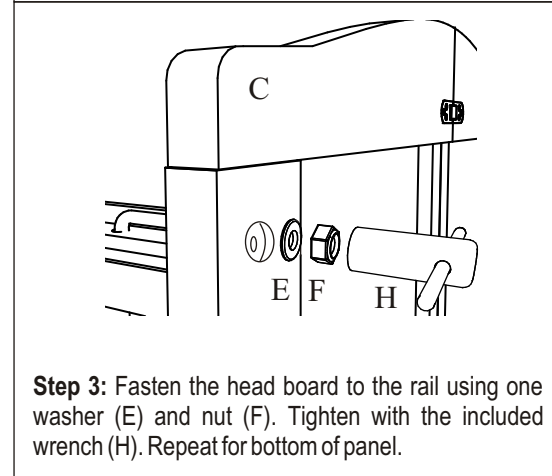
L.A. Baby Juvenile Products
16039 Loukelton Street
City of Industry, California 91744
Toll free customer service: 800-584-3094
e-mail: customerservice@lababyco.com
Ins_CW_983_A_032511



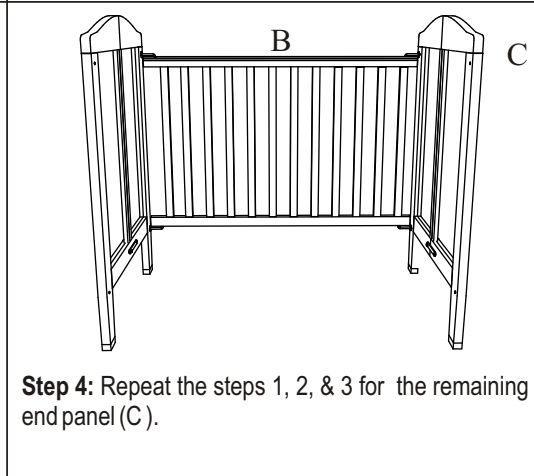
Step 1: Drop the latch on one end panel (C) to keep panel from folding.
Note: Latches are inside of crib.



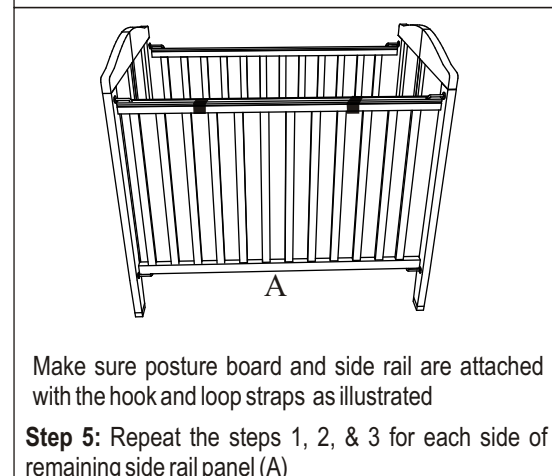
Step 2: Start with Side rail (B) (rail without posture board). Make sure side rail warnings are on top of rail and can be read from outside of crib. Insert L-bolts (D) into holes on top and bottom of rail (A). Insert the threaded ends of the L-bolts (D) into the end panel (C) as illustrated.



Step 3: Fasten the head board to the rail using one washer (E) and nut (F). Tighten with the included wrench (H). Repeat for bottom of panel.



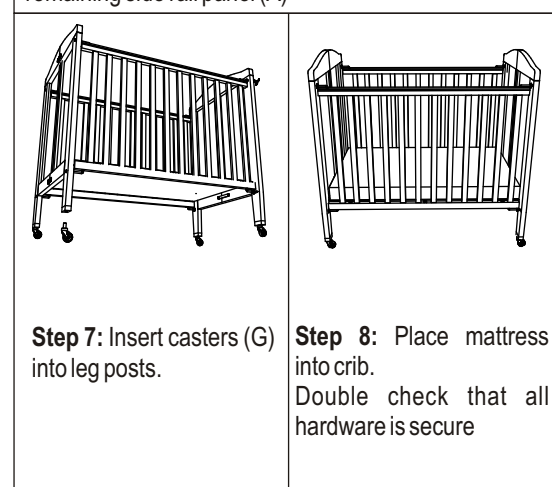
Step 4: Repeat the steps 1, 2, & 3 for the remaining end panel (C).



Make sure posture board and side rail are attached with the hook and loop straps as illustrated
Step 5: Repeat the steps 1, 2, & 3 for each side of remaining side rail panel (A)



Step 6: Drop the mattress support and fasten it to the lower horizontal bar of side rail with the "hook and loop", fasteners.



Step 7: Insert casters (G) into leg posts.



Step 8: Place mattress into crib. Double check that all hardware is secure



To store crib, lift posture board and secure to top of rail with the hook and loops straps

! WARNING!

Failure to follow these warnings and instructions could result in serious injury or death. Read all instructions before assembling or using this crib. Keep instructions for future use.

! WARNING!

Infants can suffocate on soft bedding. **NEVER** add a pillow, comforter, or padding.

- Any mattress used in this crib must be at least 27 1/4" x 51 5/8" with a thickness not exceeding 6". Do not use a water mattress with this crib.
- To reduce the risk of SIDS, pediatricians recommend healthy infants be placed on their back to sleep, unless otherwise advised by your physician.
- Check this product for damaged hardware, loose joints, missing parts or sharp edges before and after assembly and frequently during use. **NEVER** use this product if there are any loose or missing fasteners, loose joints, or broken parts. Check before assembly and periodically during use. **Make sure latches are secure.** Contact L.A.Baby for replacement parts.. **DO NOT** use crib if any parts are missing damaged or broken. Contact "L.A. Baby Juvenile Products", for replacement parts and instructional literature if needed. **DO NOT** substitute parts.
- Check fasteners periodically for tightness **DO NOT** over tighten. This may cause distortion or breakage.
- DO NOT** place the crib near a window where cords from blinds or drapes may strangle a child.

! WARNING!

Strangulation Hazard

- AVOID STRANGULATION:** As soon as an infant can sit or stand up, close the crib gate or raise the Drop Front permanently.
- Infants can suffocate in gaps between crib sides and a mattress that is too small.
- Strings can cause strangulation! **DO NOT** place items with string around a child's neck, such as hood strings or pacifier cords. **DO NOT** suspend strings over a crib or attach string to toys.
- To help prevent strangulation tighten all fasteners. A child can trap parts of the body or clothing on loose fasteners.

Fall Hazard

- When child is able to pull to a standing position, set mattress to lowest position and remove bumper pads, large toys and other objects that could serve as steps for climbing out.
- DO NOT** leave a child in a crib with an open gate or lowered Drop Front. Be sure the gate is closed or the Drop Front is raised and locked in position whenever the child is in the crib. After closing the gate or raising the Drop Front, make sure the latches are secure.
- The child must be seated at the rear of the crib when lowering or raising the gate or Drop Front.
- As your child grows, adjust the height of the posture board down so that he/she cannot pull himself/herself out of the crib.

! WARNING!

- This crib including side rails must be fully erected prior to use. **Make sure latches are secure.**
- When the child is able to climb out or reaches the height of 35in. (90cm), or when the height of the side rail is less than 3/4 of the child's height, shall no longer be used.
- Replace teething rail if damaged, cracked, or loose
- If refinishing, use a non-toxic finish specified for children's products.
- Follow warnings on all products in a crib
- Child can become entrapped and die when improvised netting or covers are placed on top of crib. **NEVER** add such items to confine child in crib.
- NEVER** use a water mattress with this crib.
- NEVER** use plastic shipping bags or other plastic film as mattress covers because, they can cause suffocation.
- This full size crib conforms to the applicable regulations promulgated by the Consumer Products Safety Commission, specifically requirements of 16 CFR. Part 1219.

CAUTION: Any mattress used in this crib must be at least 27 1/4" x 51 5/8" with a thickness not exceeding 6"