

# THE DELUXE LITTLE WOOD CRIB

BE SURE TO CHECK THAT PARTS LISTED BELOW ARE INCLUDED BEFORE ASSEMBLING THIS CRIB.

- |                |   |
|----------------|---|
| A) 8 L Bolts   | F) 1 Mattress Support Panel*            |
| B) 8 Washers   | G) 2 Headboard Sections                 |
| C) 8 Lock Nuts | H) 1 Side Rail Section                  |
| D) 1 Wrench    | I) 1 Mattress 3" x 24" x 38"            |
| E) 4 Casters   | J) 1 Side Rail with Panel* (F) Attached |

## INSTRUCTIONS FOR ASSEMBLY:

**STEP 1:** Remove sections from packing materials, including plastic bags, make certain that all parts listed are present.

**STEP 3:** Place short end of 2 L Bolts into top and bottom holes on Side Rail (H) end as shown in figure 1. With plastic teething rail on top and lower thicker edge of Side Rail (H) facing inward, slide threaded ends of both L Bolts through adjacent holes on one Headboard. Install Washers and Lock Nuts and tighten with Wrench.

**STEP 4:** Attach second Headboard to other end of Side Rail (H) in same manner using 2 L Bolts, 2 Washers and 2 Lock Nuts and tighten

**STEP 5:** Install Side Rail (J) with Panel attached to Headboards. Note at Panel (F) goes on inside. Attach upper edge of Mattress Support Panel (F) to top of Side Rail (J) with Straps to allow for easier assembly. Install 2 L Bolts on one end of Side Rail (J), Insert threaded ends of L bolt through corresponding holes in Headboard, install 2 Washers and 2 Lock Nuts, and tighten with Wrench.

**STEP 6:** Insert remaining 2 L Bolts into other end of Side Rail (J), Insert threaded ends through second Headboard install 2 Washers and 2 Lock Nuts and tighten with Wrench.

**STEP 7:** Release Straps and lower Mattress Support Panel to confirm that it fits squarely to crib. Return to securely tighten all 8 Lock Nuts with wrench. Fasten both Hook & Loop Straps attached to Mattress Support Panel to lower bar of Side Rail (H).

**STEP 8:** Install all 4 Casters and insert Mattress (I) as shown. **CLEANING:** Sponge with warm water and mild soap.

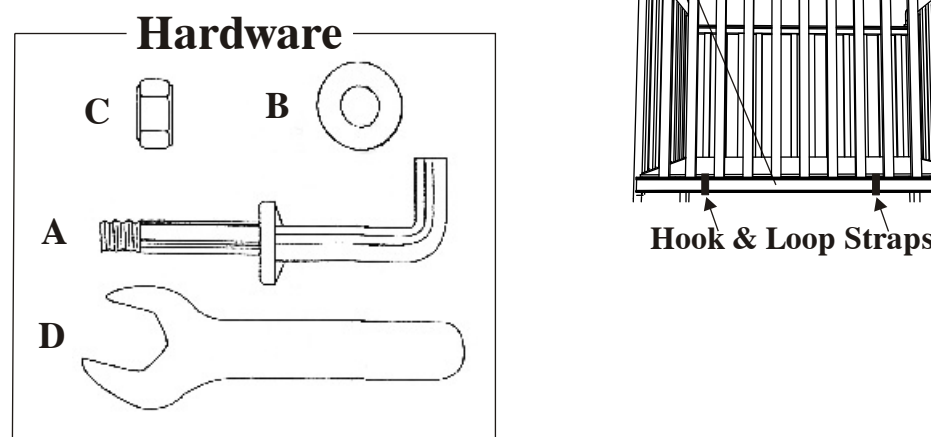
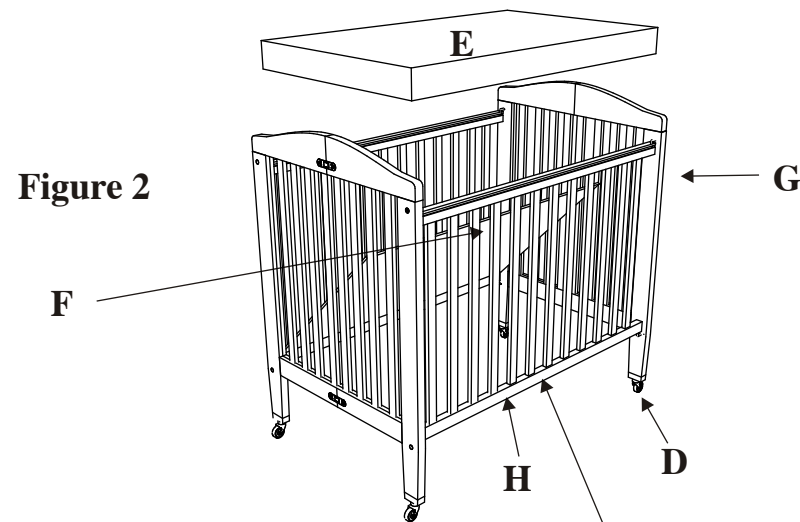
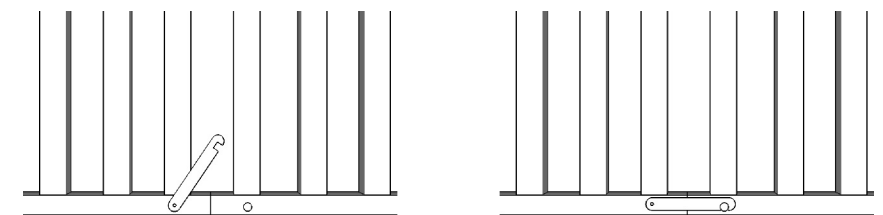
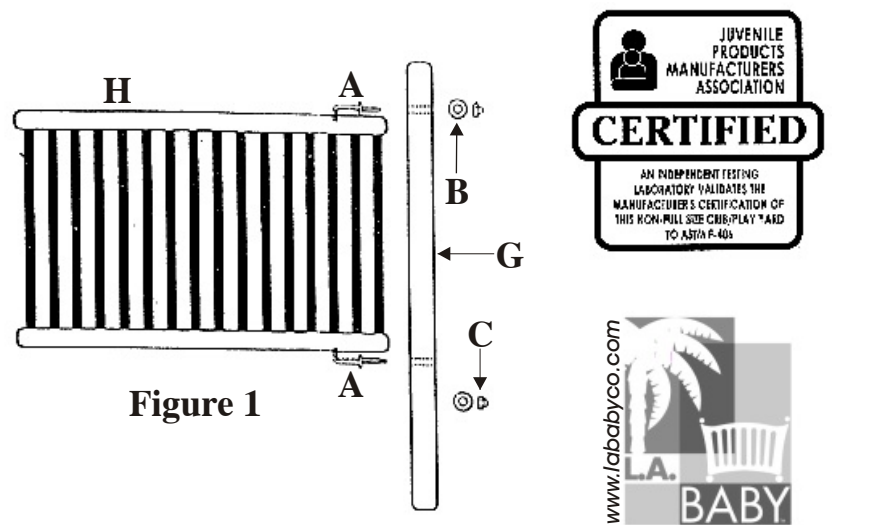
**INSTRUCTIONS TO FOLD CRIB:** To fold unoccupied crib, first remove mattress, unfasten safety straps on Mattress Support Panel, release latches on Head Board, and move Panel to upright position. Fold both Headboards inward.

### Care Instruction:

Your crib may be cleaned, using a damp cloth and ordinary mild domestic detergent. Do not use abrasives or bleach. Air dry.

**Caution:** Use only mattress provided by manufacturer, which must be at least 38 inches long by 24 inches wide and not more than 3

**This crib conforms to applicable regulations promulgated by the Consumer Product Safety Commission.**



Date of MFG.

**WARNING:** FAILURE TO FOLLOW THESE WARNINGS AND THE INSTRUCTIONS COULD RESULT IN SERIOUS INJURY OR DEATH.

- **NEVER** use this product if there are any loose or missing fasteners, loose joints, or broken parts. Check before assembly and periodically during use. Contact L.A.baby for replacement parts.
- **NEVER** substitute parts

**WARNING:** Infants can suffocate.

- In gaps between a mattress too small or too thick and product sides.
- On soft bedding.

**NEVER** add a mattress, pillow, comforter, or padding.

**WARNING:** Use only mattress provided by

manufacturer, which must be at least 38 inches long by 24 inches wide and not more than 3 inches thick.

- This crib including side rails must be fully erected prior to use.
- When child is able to pull to standing position, set mattress/base to lowest adjustment position and remove bumper pads, large toys, and other objects that could serve as steps for climbing out.
- **NEVER** place a crib near windows where cords from blinds or drapes may strangle a child.
- Discontinue use of the crib when child is able to climb out or reaches a height of 35 inches (890 millimeters), the child should be placed in a youth bed.
- If refinishing, use a non-toxic finish specified for children's products.
- **NEVER** use a water mattress with this crib.
- Always provide the supervision necessary for the continued safety of your child. When used for playing, **NEVER** leave child unattended
- To reduce the risk of SIDS, pediatricians recommend healthy infants be placed on their back to sleep, unless otherwise advised by your physician.
- **CAUTION:** Keep small parts and plastic bags out of reach of small children
- **NEVER** use plastic shipping bags or other plastic film as mattress covers not sold and intended for that purpose. They can cause suffocation

**WARNING!** Strings can cause strangulation!

**NEVER** place items with a string around a child's neck, such as hood strings or pacifier cords

- **NEVER** suspend strings over a crib or attach strings to toys.