

Window Crib

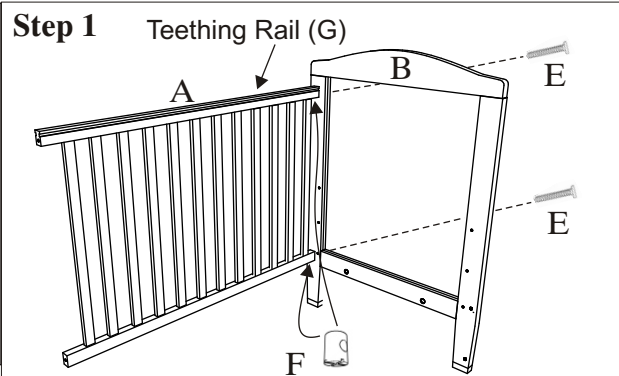
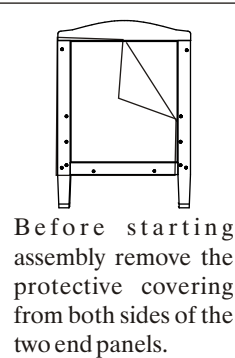
Warnings & Instructions

Product # WC 510A

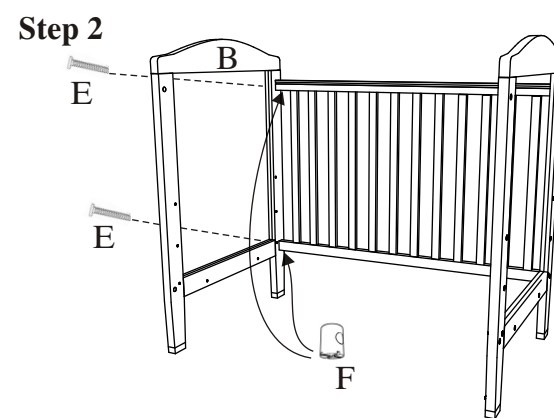
Read all instructions before assembly and use of crib.

Tools needed: Allen wrench

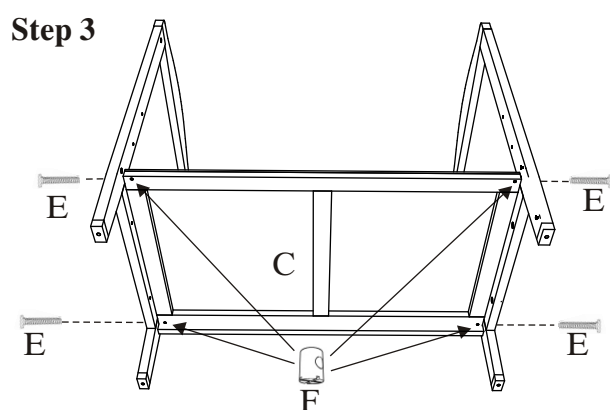
Parts List	Pieces per Unit
A - Rails, Stationary	2
B - End Panel	2
C - Mattress Support	1
D- Mattress, 3"	1
E - Hex Bolts	12
F -Barrel Nuts	12
G -Teething Rail (Pre-installed)	2
H - Caster	4
I - Allen Wrench	1



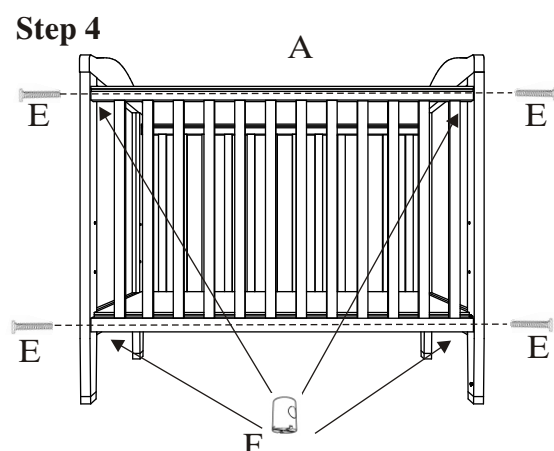
Note: That one side of each end panel has recessed drilled holes. These sides are facing outside of crib. Position side rail (A) with teething rail (G) up and warnings readable from out side of crib. Attach side rail (A) to end panel (B) using two hex bolts (E) and two barrel nuts (F). Tighten with allen wrench (I).



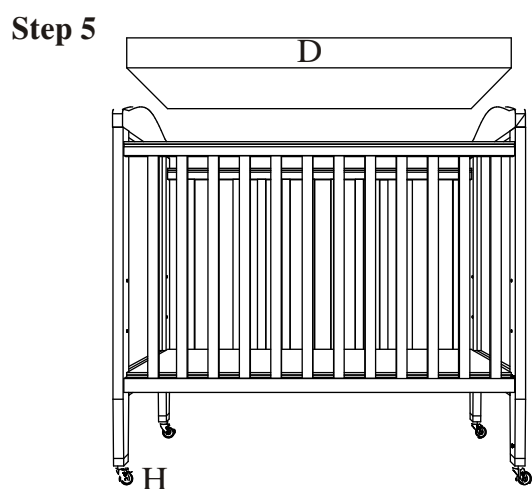
Repeat the same procedure as step 1 for attaching second end panel (B).



Lay crib down on the side rail and place posture board into position. Insert four barrel nuts (F) into the barrel nut seats located under the posture board. Decide which height position you want the mattress support (C) to be (low, middle or high) See "WARNINGS". Attach mattress support (C) to the intended position to the end panels (B) using four hex bolts (E). Tighten with allen wrench (I).



Position second side rail (A) with teething rail up and warnings readable from out side of crib. Attach side rail (A) to end panels (B) using four hex bolts (E) and four barrel nuts (F). Now is a good time to insert the four castors (H) into the panel posts.



Place the mattress (D) onto the posture board (C)
CAUTION: Use only mattress provided by manufacturer, which must be at least 38 inches long by 24 inches wide and not more than 3 inches thick.

Care Instruction:

Acrylic glass requires extra special care, as they are easily scratched by common glass-cleaning devices or chemically damaged by glass-cleaning chemicals. Use only products specifically labeled as safe for acrylic.

Your crib may otherwise be cleaned, using a damp cloth and ordinary mild domestic detergent. Do not use abrasives or bleach. Air

⚠️ WARNING: FAILURE TO FOLLOW THESE WARNINGS AND THE INSTRUCTIONS COULD RESULT IN SERIOUS INJURY OR DEATH.

- **NEVER** use this product if there are any loose or missing fasteners, loose joints, or broken parts. Check before assembly and periodically during use. **Make sure latches are secure.** Contact L.A. Baby for replacement parts.
- **NEVER** substitute parts

⚠️ WARNING: Infants can suffocate.

- In gaps between a mattress too small or too thick and product sides.
- On soft bedding.
NEVER add a mattress, pillow, comforter, or padding.

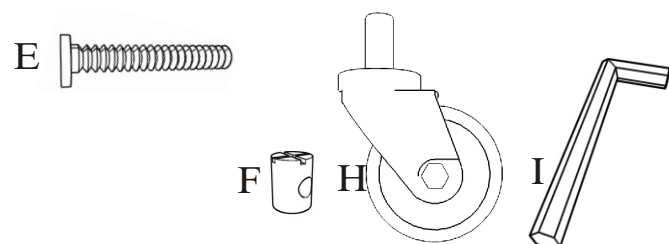
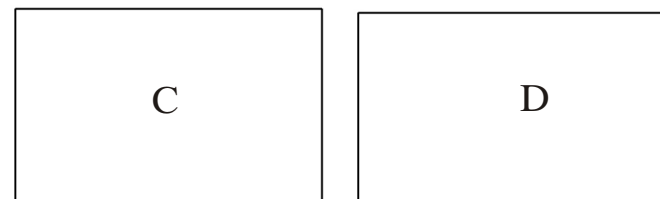
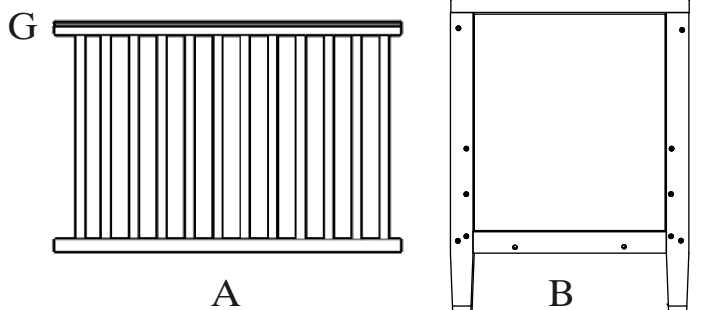
⚠️ WARNING: Use only mattress provided by manufacturer, which must be at least 38 inches long by 24 inches wide and not more than 3 inches thick.

- This crib including side rails must be fully erected prior to use.
- When child is able to pull to standing position, set mattress/base to lowest adjustment position and remove bumper pads, large toys, and other objects that could serve as steps for climbing out.
- **NEVER** place a crib near windows where cords from blinds or drapes may strangle a child.
- Discontinue use of the crib when child is able to climb out or reaches a height of 35 inches (890 millimeters), the child should be placed in a youth bed.
- If refinishing, use a non-toxic finish specified for children's products.
- Child can become entrapped and die when improvised netting or covers are placed on top of crib. **NEVER** add such items to confine child in crib.
- **NEVER** use a water mattress with this crib.
- Always provide the supervision necessary for the continued safety of your child. When used for playing, **NEVER** leave child unattended
- To reduce the risk of SIDS, pediatricians recommend healthy infants be placed on their back to sleep, unless otherwise advised by your physician.
- **CAUTION:** Keep small parts and plastic bags out of reach of small children
- **NEVER** use plastic shipping bags or other plastic film as mattress covers not sold and intended for that purpose. They can cause suffocation

⚠️ WARNING! Strings can cause strangulation! **NEVER** place items with a string around a child's neck, such as hood strings or pacifier cords
 • **NEVER** suspend strings over a crib or attach strings to toys.

This crib conforms to applicable regulations promulgated by the Consumer Product Safety Commission.

This crib meets new C.P.S.C. 16 CFR 1220 and A.S.T.M. 406 Standards. (This crib also meets A.S.T.M. 2710 Commercial Crib Standards.)



JPMA CERTIFIED
 L.A. Baby Juvenile Products
 16039 Loukelton Street
 City of Industry, California 91744
 Toll free customer service: 800-584-3094
 e-mail: customerservice@lababyco.com
 www.lababyco.com

DATE OF MFG _____

Made In China