

# FULL SIZE HOLIDAY CRIB

Product # 86

- READ ALL INSTRUCTIONS BEFORE ASSEMBLY AND USE OF CRIB. BE SURE TO FOLLOW INSTRUCTIONS CAREFULLY.
- DO STEP 1 BEFORE UNFOLDING CRIB.
- NO TOOLS ARE REQUIRED FOR ASSEMBLY.
- BE SURE TO CHECK THAT ALL PARTS LISTED BELOW ARE INCLUDED BEFORE USING CRIB.

- (A) TWO HEADBOARD HINGE COVERS
- (B) ONE MATTRESS SUPPORT PANEL
- (C) FOUR CASTER INSERTS (PRE-INSTALLED)
- (D) FOUR CASTERS
- (E) EIGHT SUPPORT WIRES (PRE-INSTALLED)
- (F) FOUR FOAM BUMPERS

STEP 1: Remove MATTRESS SUPPORT PANEL (B) from folded crib by sliding it out from either end as shown in figure 1.

STEP 2: Unfold the crib.

STEP 3: Place MATTRESS SUPPORT PANEL (B) onto 8 SUPPORT WIRES (E), (figure 2) and secure around side frame with two attached straps provided (Figure 4).

STEP 4: Push snap button in and slide HEADBOARD HINGE COVERS (A) to the center of crib ends. Make sure that the HEADBOARD HINGE COVERS(A) are located securely between both snap buttons before each use. (Fig. 2)

STEP 5: (Optional) Place one FOAM BUMPER (G) on each leg before installing CASTERS (E). This is an optional step. The FOAM BUMPERS (G) protect the crib and property from damage. (Figure 3)

STEP 6: Insert CASTERS (E) securely into the ends of crib legs (figure 2).

STEP 7: Install your mattress

To fold crib for storage. Remove mattress, Release straps securing mattress support panel (B) to side of crib (Figure 3) and remove mattress support panel (B) from crib. Push snap button (figure 2) in and slide headboard hinge covers (A) to either side. Fold crib frame inward and store mattress support panel (B) on its edge as shown in figure 1. Store your mattress inside the folded crib by putting the mattress in width wise (figure 1) in the opposite side.

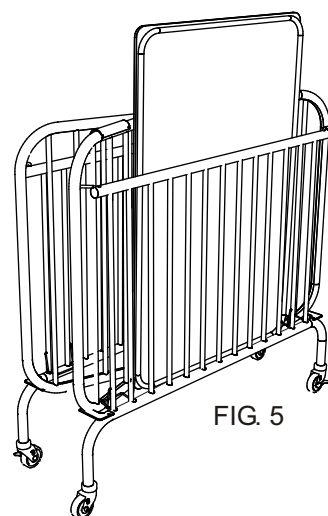
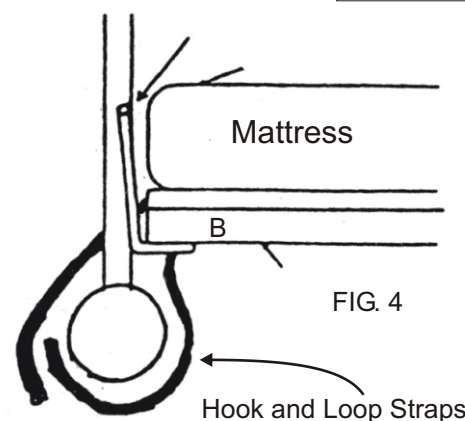
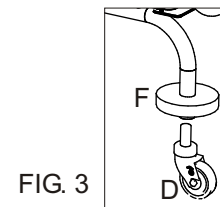
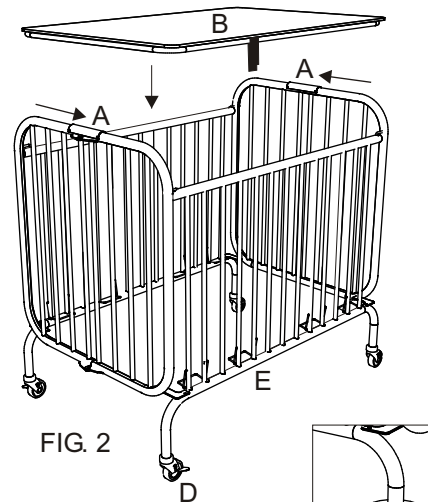
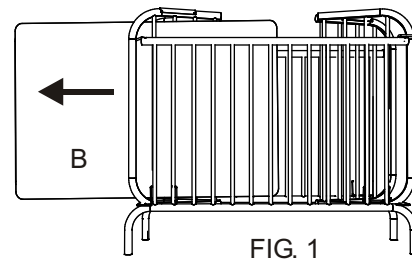
CLEANING: Sponge with warm water and mild soap.

**This crib conforms to applicable regulations promulgated by the Consumer Product Safety Commission.**

**This crib meets new C.P.S.C. 16 CFR 1219 and A.S.T.M. 1169 Standards. (This crib also meets A.S.T.M. 2710 Commercial Crib Standards.)**

Date of MFG.

L.A. Baby Juvenile Products  
16039 Loukelton Street  
City of Industry, California 91744  
Toll free customer service: 800-584-3094  
e-mail: customerservice@lababyco.com



## WARNING!

Failure to follow these warnings and instructions could result in serious injury or death. Read all instructions before assembling or using this crib. Keep instructions for future use.

## WARNING!

**Infants can suffocate** on soft bedding. **NEVER** add a pillow or comforter. **NEVER** place additional padding under an infant.

- Any mattress used in this crib must be at least 27 1/4" x 51 5/8" with a thickness not exceeding 6". Do not use a water mattress with this crib.
- To reduce the risk of SIDS, pediatricians recommend healthy infants be placed on their back to sleep, unless otherwise advised by your physician.
- Check this product for damaged hardware, loose bolts or other fasteners, missing parts or sharp edges before and after assembly and frequently during use. **NEVER** use this product if there are any loose or missing fasteners, loose joints, or broken parts. Securely tighten loose bolts and other fasteners. **Make sure latches are secure.** Contact L.A.Baby for replacement parts and instructional literature if needed. **DO NOT** use crib if any parts are missing damaged or broken. Contact "L.A. Baby Juvenile Products", for replacement parts and instructional literature if needed. **DO NOT** substitute parts.
- Check fasteners periodically for tightness **DO NOT** over tighten. This may cause distortion or breakage.

## WARNING!

### Strangulation Hazard

- **AVOID STRANGULATION:** As soon as an infant can sit or stand up, close the crib gate or raise the Drop Front permanently.
- Infants can suffocate in gaps between crib sides and a mattress that is too small.
- Strings can cause strangulation! **DO NOT** place items with string around a child's neck, such as hood strings or pacifier cords. **DO NOT** suspend strings over a crib or attach string to toys.
- To help prevent strangulation tighten all fasteners. A child can trap parts of the body or clothing on loose fasteners.
- **DO NOT** place the crib near a window where cords from blinds or drapes may strangle a child.

### Fall Hazard

- When child is able to pull to a standing position, set mattress to lowest position and remove bumper pads, large toys and other objects that could serve as steps for climbing out.
- Stop using crib when child begins to climb out or reaches the height of 35 in. (89 cm).
- As your child grows, adjust the height of the posture board down so that he/she cannot pull himself/herself out of the crib.

## WARNING!

- This crib including side rails must be fully erected prior to use. **Make sure latches are secure.**
- If refinishing, use a non-toxic finish specified for children's products.
- Follow all warnings on all products in a crib
- Infants can suffocate in gaps between crib sides and a mattress that is too small
- Child can become entrapped and die when improvised netting or covers are placed on top of crib.
- **NEVER** add such items to confine child in crib.
- **NEVER** use a water mattress with this crib.
- **NEVER** use plastic shipping bags or other plastic film as mattress covers because, they can cause suffocation.

**Caution: Any mattress used in this crib shall be at least 27 1/4 by 51 5/8 in. with a thickness not exceeding 6 in.**

**Made in China**

Ins\_CS\_86\_1219\_053111