



# HOSHIZAKI

## Parts List

Crescent Cuber

Model

KM-151BWH



[hoshizakiamerica.com](http://hoshizakiamerica.com)

Number: F005-3184  
Issued: 4-2016

## Auxiliary Codes

<b>KM-151BWH</b>	U-1	January 2009
	V-0	January 2010
	V-1	June 2010
	A-0	January 2011
	B-0	January 2012
	C-0	January 2013
	D-0	January 2014
	E-0	January 2015
	E-1	August 2015

## Auxiliary Code Breakdown

The auxiliary code is the first two characters in the serial number. The first character indicates the year. Years progress or regress in alphabetical order. The series runs from "A" through "V" and the letters "I" and "O" are skipped. The second character indicates significant part changes within a year. Base is "0" and this number advances for each change. In cases where there is a letter in parentheses, this designates the month. This is the last character in the serial number. The series runs from "(A)" through "(M)" and the letter "(I)" is skipped. This designation is only included when identifying a parts change within an auxiliary code.

## Note About Ordering Parts

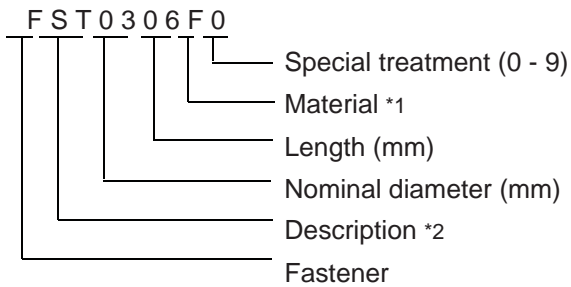
Most assemblies cannot be ordered as complete units; parts in the assemblies generally must be ordered separately.

## MARKS LOCATED UNDER THE AUXILIARY CODE

- = Part deleted.

## FASTENER PART NUMBER

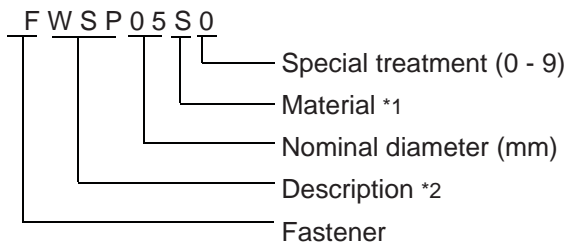
### SCREWS



\*1

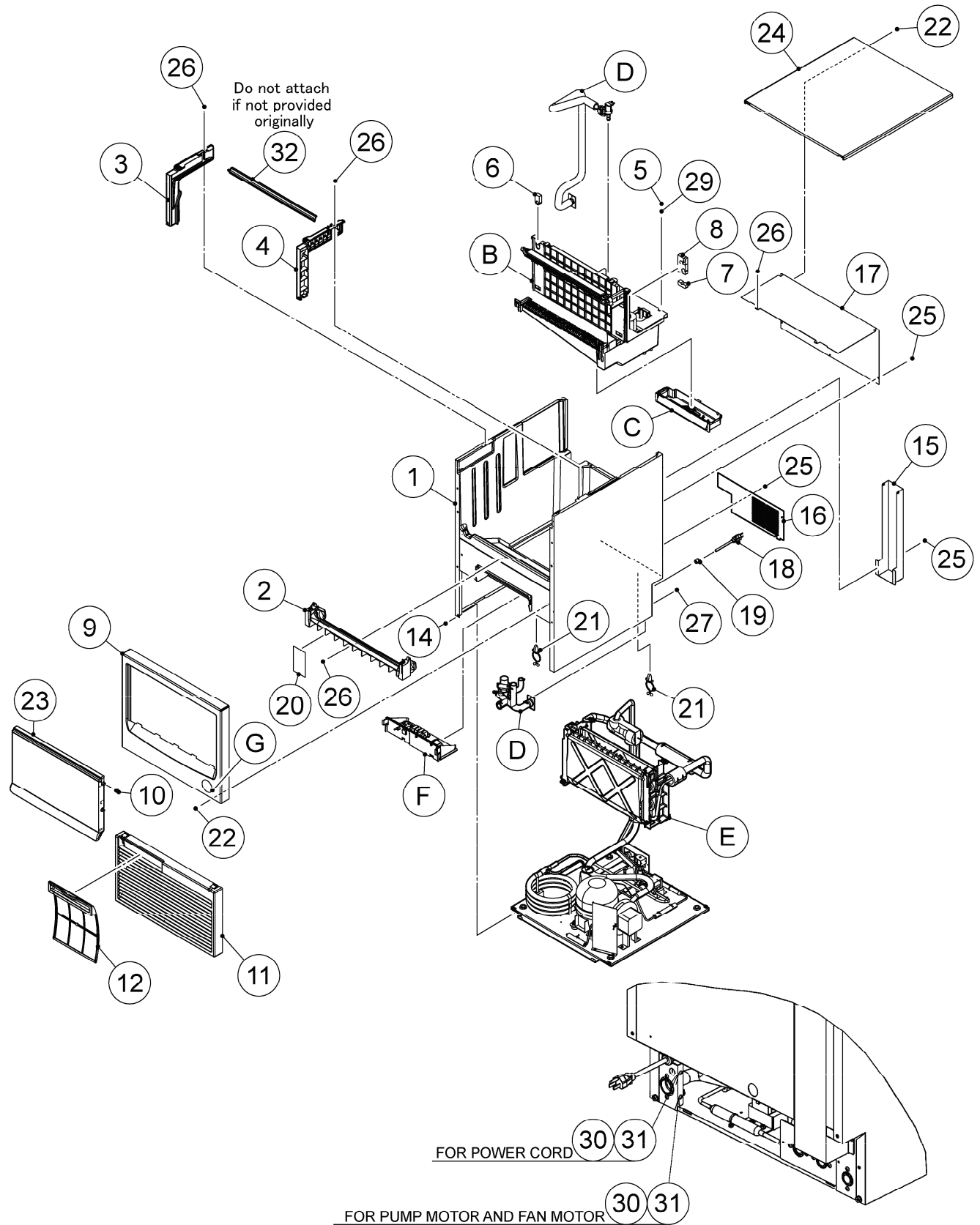
F: Steel  
S: Austenitic stainless steel  
M: Martensitic stainless steel  
B: Copper alloy  
P: Polycarbonate  
N: Polyamide  
V: PVC  
A: ABS  
X: Polyacetal  
L: Aluminum

### NUTS & WASHERS



\*2

First letter  
S: Machine screw  
T: Tapping screw  
M: Wood screw  
B: Bolt  
W: Washer  
N: Nut

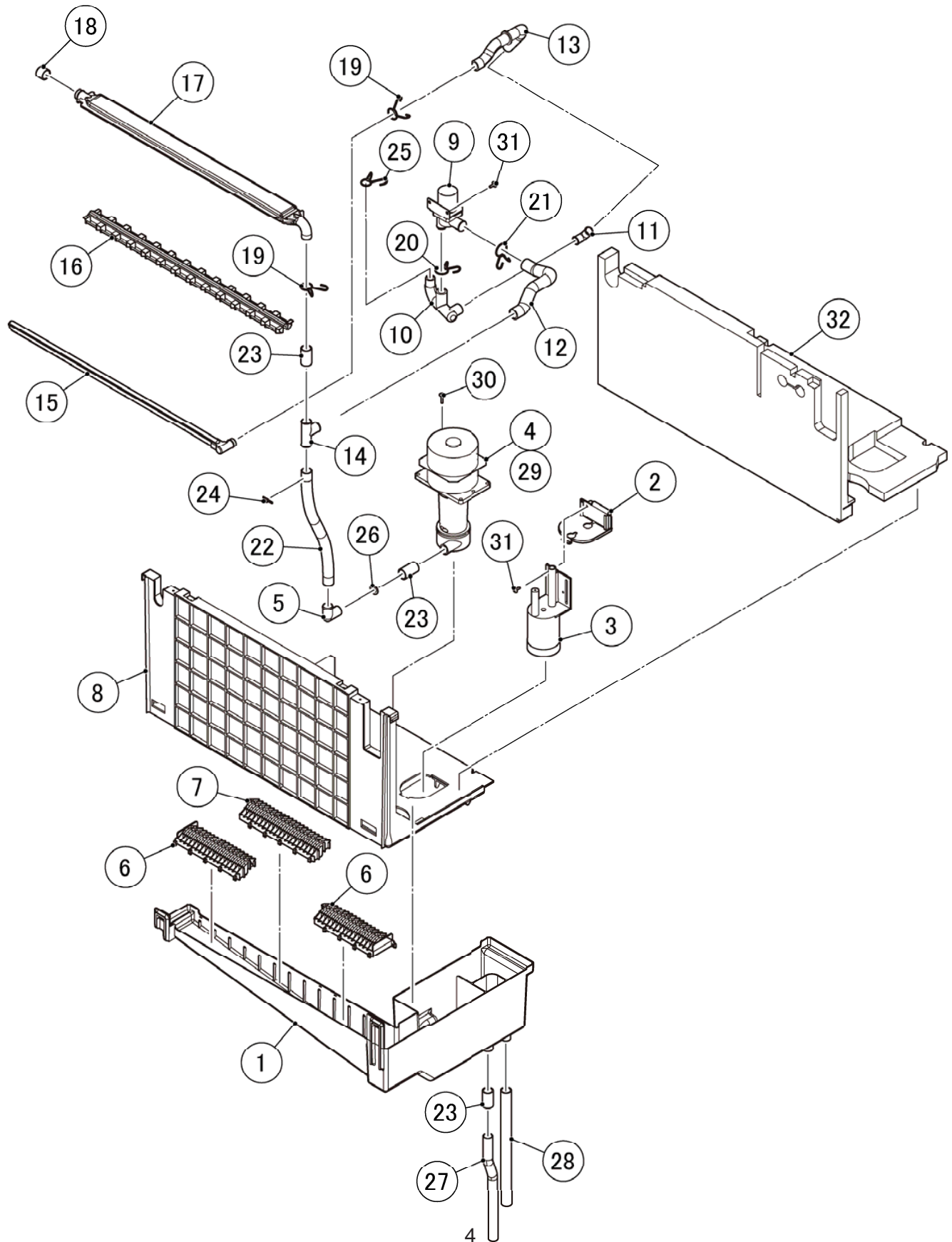


HA

MODEL: <b>KM-151BWH</b>							
TITLE: <b>A. ICE CUBER ASSY</b>							
INDEX NO.	DESCRIPTION	MATERIAL OR MODEL NUMBER	PART NUMBER	REQ'D NUMBER			
				U-1,V-0V-1,E-0	E-1		
B	ICE MAKING MECHANISM ASSY		118493A01	1	1	1	
C	MECHANICAL BIN SWITCH		371151A01	1	1	1	
D	WATER CIRCUIT ASSY		253740A02	1	1	1	
E	REFRIGERATION CIRCUIT		118989A01	1	1	1	
F	CONTROL BOX ASSY		252005A06	1	1	1	
G	LABEL LOCATION		255478A01	1	1	1	
H	ACCESSORIES		A01942-01	1	1	1	
K	OPTIONAL PARTS	before serial number D00522M		1	1	-	
		serial number D00522M and later		-	-	-	
1	BODY ASSY		119364G02	1	1	1	
2	FRONT FRAME		250745-01	1	1	1	
3	RAIL(L)		119369P01	1	1	1	
4	RAIL(R)		119370P01	1	1	1	
5	T2 SCREW	SUS 4x12	FT20412M0	2	2	2	
6	GROMMET/PIPE(C)		470311-01	1	1	1	
7	GROMMET/PIPE(B)		470310-01	1	1	1	
8	GROMMET/PIPE(A)		470309-01	1	1	1	
9	FRONT PANEL	before serial number D00522M	369014G01	1	1	-	
		serial number D00522M and later	380575G01	-	1	1	
10	COLLAR		481481P02	4	4	4	
11	LOUVER		117635-01	1	1	1	
12	AIR FILTER		250727G01	1	1	1	
14	HEX.TAPPING SCREW W/FLANGE	6x16	P01572-01	4	4	4	
15	COVER/PIPE		368305-02	1	1	1	
16	REAR COVER		371349M01	1	1	1	
17	REAR PANEL		370654M03	1	1	1	
18	POWER SUPPLY CODE	KP-301+SJT 16AWGX3C	P00004-01	1	1	1	
19	BUSHING	SR-7K-2	420472-02	1	1	1	
20	SEAL-OVERFLOW		4Y4321P01	1	1	1	
21	CLAMP		427902-02	4	4	4	
22	T2 SCREW	SUS 4x8	FT20408M0	4	4	4	

HA

MODEL: <b>KM-151BWH</b>				TITLE: <b>A. ICE CUBER ASSY</b>			
INDEX NO.	DESCRIPTION	MATERIAL OR MODEL NUMBER	PART NUMBER	REQ'D NUMBER			
				U-1,V-0V-1,E-0	E-1		
23	DOOR	Replace together with 4 pieces of No.10 COLLAR	369051G01	1	1	-	
				-	-	1	
24	TOP PANEL ASSY	before serial number D00522M	369005A09	1	1	-	
		serial number D00522M and later	380577A09	-	1	1	
25	T2 SCREW	4x8	FT20408F0	6	6	6	
26	T2 SCREW	SUS 4x10	FT20410S0	5	5	5	
27	T2 SCREW	SUS 4x10	FT20410M0	4	4	4	
29	PLAIN WASHER	SUS 5	FWPL05S0	2	2	2	
30	TRUSS HEAD SCREW	SUS 4x8	FST0408S0	2	2	2	
31	SPRING WASHER		FWSP04S0	2	2	2	
32	BRACE - RAIL	Do not attach if not provided originally	481548M02	-	-	1	



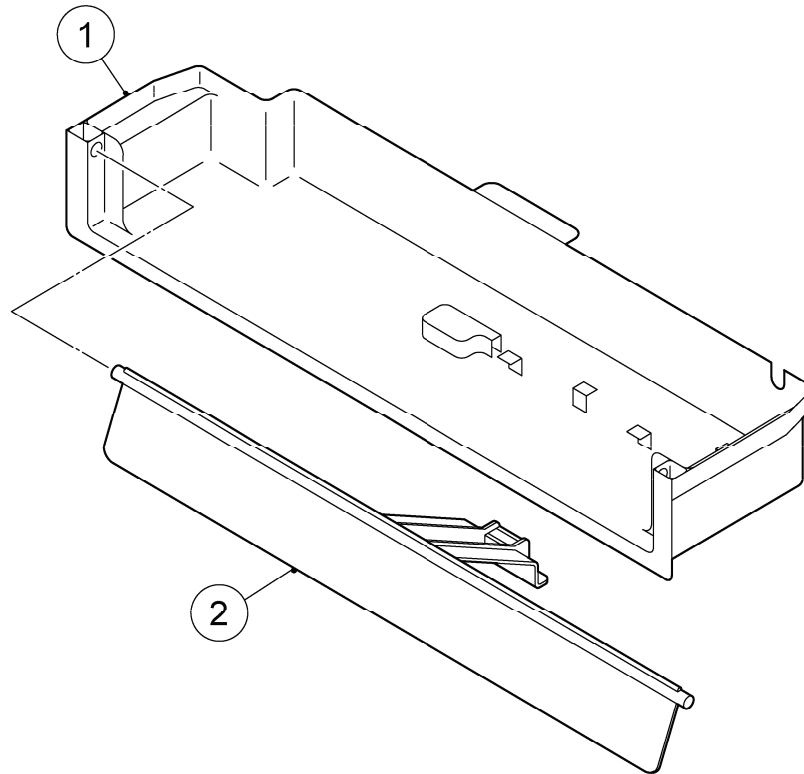
HA

MODEL: <b>KM-151BWH</b>							
TITLE: <b>B. ICE MAKING MECHANISM ASSY</b>							
INDEX NO.	DESCRIPTION	MATERIAL OR MODEL NUMBER	PART NUMBER	REQ'D NUMBER			
				U-1,V-0V-1,E-0	E-1		
1	WATER TANK		117639-01	1	1	1	
2	BRACKET - FLOAT SWITCH		368339-01	1	1	1	
3	FLOAT SWITCH		4A3624-04	1	1	1	
4	PUMP MOTOR	PV-0511BHZ1	P00468-01	1	1	1	
5	ELBOW		417703-01	1	1	1	
6	CUBE GUIDE (A)		250742-01	2	2	2	
7	CUBE GUIDE (C)		250740-01	1	1	1	
8	BRACKET - ICE MAKING		117632-01	1	1	1	
9	SOLENOID VALVE	FDC-90-02-115	P00018-02	1	1	1	
10	WATER SUPPLY PIPE (A)		470306-01	1	1	1	
11	ELBOW		470303-01	1	1	1	
12	BYPASS HOSE		470308-01	1	-	-	
			374229R01	-	1	1	
13	WATER SUPPLY PIPE(B)		470307-01	1	-	-	
	WATER SUPPLY HOSE (B)		374228R01	-	1	1	
14	TEE		470312-01	1	1	1	
15	WATER SUPPLY TUBE		269616G01	1	1	1	
16	SPRAY GUIDE		252052P03	1	-	-	
			258313P05	-	1	1	
17	SPRAY TUBE		250746-03	1	1	1	
18	SPRAY TUBE CAP ※Use either of the right		3A2645-01	1	1	1	
			370777R01	1	1	1	
19	HOSE CLAMP ※Use either of the right	16.5mm SUS	427443-04	2	2	2	
			P02909-04	2	2	2	
20	HOSE CLAMP ※Use either of the right	18mm SUS	427443-05	1	1	1	
			P02909-05	1	1	1	
21	HOSE CLAMP ※Use either of the right	20mm SUS	427443-06	1	1	1	
			P02909-06	1	1	1	



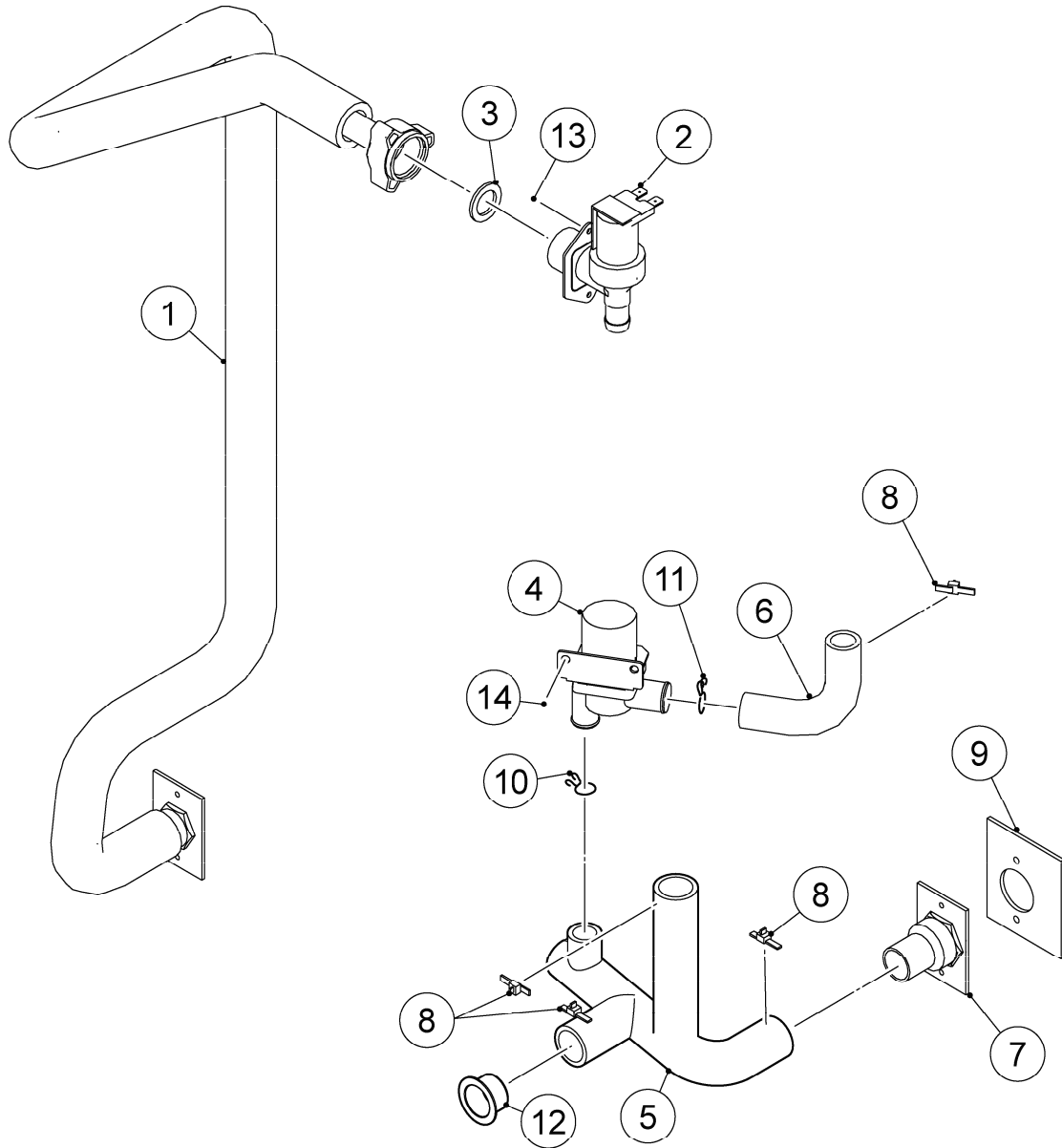
HA

MODEL: <b>KM-151BWH</b>				TITLE: <b>B. ICE MAKING MECHANISM ASSY</b>			
INDEX NO.	DESCRIPTION	MATERIAL OR MODEL NUMBER	PART NUMBER	REQ'D NUMBER			
				U-1,V-CV-1,E-0	E-1		
22	SILICONE HOSE	L=300 14 DIA x 18 DIA	H11418300	1	-	-	
		L=280 14 DIA x 18 DIA (CLEAR)	H11418280	-	1	1	
23	SILICONE HOSE	L=30 14 DIA x 18 DIA (CLEAR)	H11418030	3	3	3	
24	CABLE TIE	CV-100	7920-0002	8	8	8	
25	HOSE CLAMP ※Use either of the right	13.5mm SUS	427443-07	1	1	1	
			P02909-07	1	1	1	
26	ORIFICE		4Y4194P02	1	1	1	
27	PIPE/OVERFLOW		369038P03	1	1	1	
28	SILICONE HOSE	L=230 14 DIA x 18 DIA (CLEAR)	H11418230	1	1	1	
29	BAG		4X1559-01	1	1	1	
30	T2 SCREW	SUS 4x16	FT20416M0	1	1	1	
31	T2 SCREW	SUS 4x10	FT20410M0	2	2	2	
32	INSULATION - MECHANISM		256827P01	1	1	1	



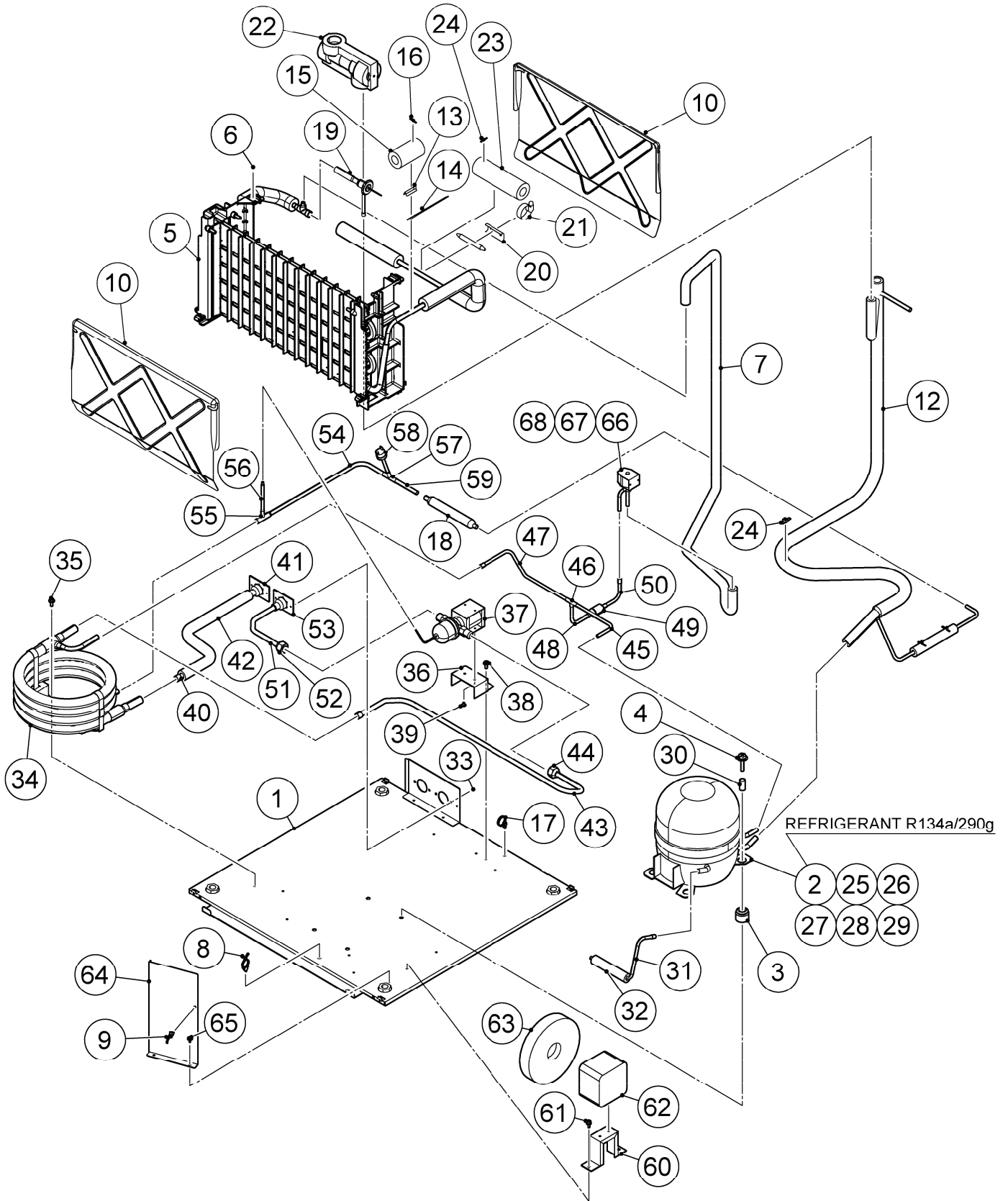
HA

MODEL: <b>KM-151BWH</b>		TITLE: <b>C. MECHANICAL BIN SWITCH</b>					
INDEX NO.	DESCRIPTION	MATERIAL OR MODEL NUMBER	PART NUMBER	REQ'D NUMBER			
				U-1,V-0	V-1,E-0	E-1	
1	MECHANICAL SWITCH CASE		371153G01	1	1	1	
2	DETECTOR		371152G01	1	1	1	



HA

MODEL: <b>KM-151BWH</b>				TITLE: <b>D. WATER CIRCUIT ASSY</b>			
INDEX NO.	DESCRIPTION	MATERIAL OR MODEL NUMBER	PART NUMBER	REQ'D NUMBER			
				U-1,V-CV-1,E-0	E-1		
1	WATER SUPPLY PIPE		369037G01	1	1	1	
2	WATER VALVE	V19, 1.2L/min	P00464-01	1	1	1	
3	RUBBER GASKET		413854-03	1	1	1	
4	SOLENOID VALVE	FDC-90-02-115	P00018-02	1	1	1	
5	DRAIN HOSE	SANATOPRENE	370704R01	1	1	1	
6	HOSE - VALVE	SANATOPRENE	470304-01	1	1	1	
7	DRAIN FITTING		472726G01	1	1	1	
8	CABLE TIE	CV-150	7920-0003	4	4	4	
9	INSULATION/DRAIN		4Y4319Z01	1	1	1	
10	HOSE CLAMP ※Use either of the right	18mm SUS	427443-05	1	1	1	
			P02909-05	1	1	1	
11	HOSE CLAMP ※Use either of the right	20mm SUS	427443-06	1	1	1	
			P02909-06	1	1	1	
12	CAP		472250P01	1	1	1	
13	TRUSS HEAD SCREW	SUS 4x8	FST0408S0	2	2	2	
14	T2 SCREW	SUS 4x10	FT20410M0	2	2	2	



HA

MODEL: <b>KM-151BWH</b>				TITLE: <b>E. REFRIGERATION CIRCUIT</b>			
INDEX NO.	DESCRIPTION	MATERIAL OR MODEL NUMBER	PART NUMBER	REQ'D NUMBER			
				U-1,V-CV-1,E-0	E-1		
1	BASE		371350G01	1	1	1	
2	COMPRESSOR	QA125K29CAU6-E0GS	P00025-01	1	1	1	
3	RUBBER GROMMET		463983-01	4	4	4	
4	BOLT	8x35	436206-03	4	4	4	
5	EVAPORATOR ASSY		252014G01	1	-	-	
			258411G01	-	1	1	
6	T2 SCREW	SUS 4x12	FT20412M0	2	2	2	
7	COPPER TUBE(H)/HOT GAS	7K2032020	255428G01	1	1	1	
8	CLAMP		427902-05	1	1	1	
9	CLAMP		427902-04	1	1	1	
10	SEPARATOR		250749-03	2	2	2	
12	HEAT EXCHANGER		255424G01	1	1	1	
13	HOLDER THERMISTOR		436455-01	1	1	1	
14	THERMISTOR	NBFC-36-H60-1	P00027-01	1	1	1	
15	INSULATION/THERMISTOR		471010Z01	1	1	1	
16	CABLE TIE	CV-100	7920-0002	2	2	2	
17	PUSH MOUNT TIE	T30RSF	436156-01	1	1	1	
18	DRIER		P00026-01	1	1	1	
19	EXPANSION VALVE	HFE-5QHD-3	P00318-01	1	1	1	
20	HOLDER/EXPV		451267-01	1	1	1	
21	CLAMP		443461-01	1	1	1	
22	COVER - EXPANSION VALVE		369332Z01	1	1	1	
23	INSULATION TUBE(A)		H73858200	1	1	1	
24	CABLE TIE	CV-200	7920-0010	3	3	3	
25	STARTING RELAY	MM5-E3CH	438849-01	1	1	1	
26	MOTOR PROTECTOR	MST00AKZ-9040	P00363-01	1	1	1	
27	PROTECTOR COVER	01-242281	P00355-01	1	1	1	
28	CLAMP	01-236384	438846-01	1	1	1	

HA

MODEL: <b>KM-151BWH</b>				TITLE: <b>E. REFRIGERATION CIRCUIT</b>			
INDEX NO.	DESCRIPTION	MATERIAL OR MODEL NUMBER	PART NUMBER	REQ'D NUMBER			
				U-1,V-0V-1,E-0	E-1		
29	CLIP	01-246801	438847-01	1	1	1	
30	GROMMET SLEEVE	01-245960	463984-01	4	4	4	
31	COPPER TUBE (A1)/PROCESS	COPPER TUBE (A)/PROCESS 371352G01	371352M01	1	1	1	
32	INSULATION TUBE	COPPER TUBE (A)/PROCESS 371352G01 7762-1020,L=100	H71020100	1	1	1	
33	T2 SCREW	SUS 4X8	FT20408M0	4	4	4	
34	CONDENSER-WATER COOLED		HS-0160	1	-	-	
			P01911-01	-	1	1	
35	FLANGE BOLT	5x12	FTQ0512F0	2	2	2	
36	BRACKET - WR		371348M01	1	1	1	
37	WATER REGULATOR		P04020-01	1	1	1	
38	FLANGE BOLT	5x12	FTQ0512F0	2	2	2	
39	TRUSS HEAD SCREW	SUS 4X6	FST0406S0	2	2	2	
40	COPPER TUBE (B1)	COPPER TUBE (B) 371353G01	371353M01	1	-	-	
		374214G01	374214M01	-	1	1	
41	INLET FITTING	COPPER TUBE (B) 371353G01	471004G01	1	1	1	
		374214G01					
42	INSULATION TUBE	COPPER TUBE (B) 7762-1323 L=380	H71323380	1	1	1	
		371353G01					
		374214G01					
43	COPPER TUBE (C1)	COPPER TUBE(C) 371354G01	371354M01	1	-	-	
		374215G01	374215M01	-	1	1	

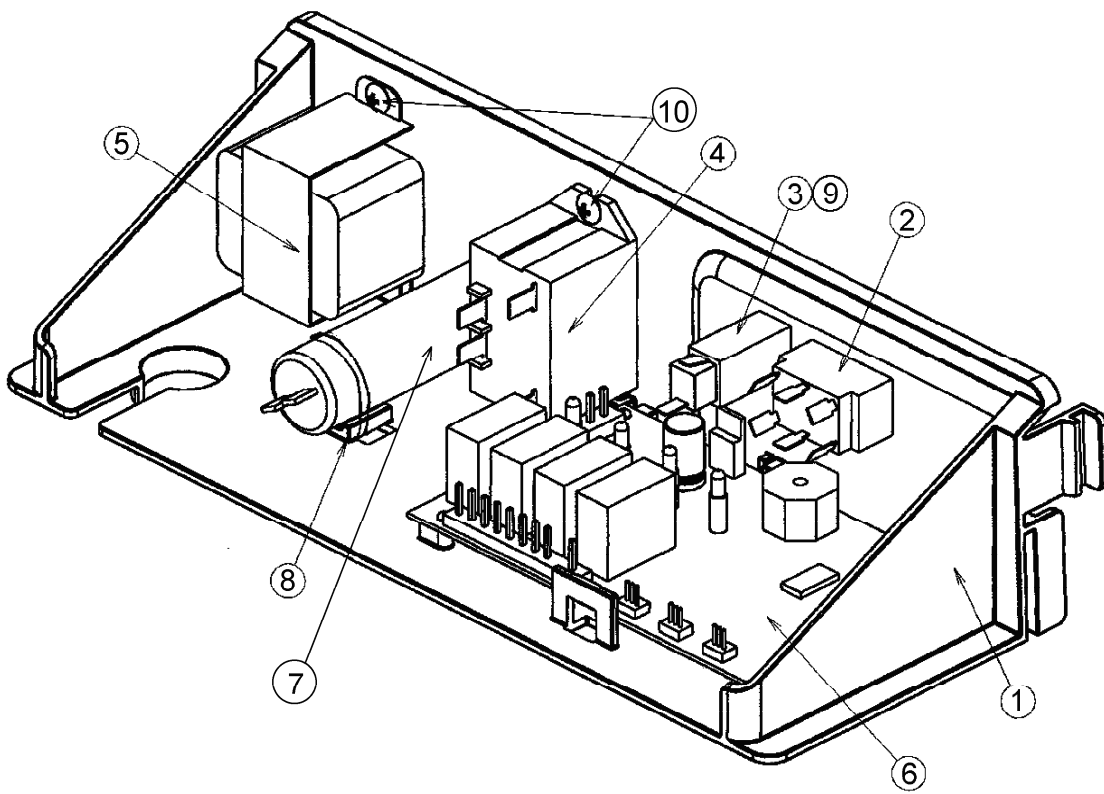


HA

MODEL: <b>KM-151BWH</b>				TITLE: <b>E. REFRIGERATION CIRCUIT</b>			
INDEX NO.	DESCRIPTION	MATERIAL OR MODEL NUMBER	PART NUMBER	REQ'D NUMBER			
				U-1,V-0V-1,E-0	E-1		
44	FLARE NUT	COPPER TUBE(C) 371354G01	448082F01	1	1	1	
		374215G01					
45	COPPER TUBE (D1)	COPPER TUBE (D) 371355G01	371355M01	1	-	-	
		374216G01	374216M01	-	1	1	
46	TEE	COPPER TUBE (D) 371355G01	417394-01	1	1	1	
		374216G01					
47	COPPER TUBE (D2)	COPPER TUBE (D) 371355G01	371355M03	1	-	-	
		374216G01	374216M02	-	1	1	
48	COPPER TUBE (D3)	COPPER TUBE (D) 371355G01	371355M04	1	-	-	
		374216G01	374216M03	-	1	1	
49	STRAINER	COPPER TUBE (D) 371355G01	P00008-01	1	1	1	
		374216G01					
50	COPPER TUBE (D4)	COPPER TUBE (D) 371355G01	371355M06	1	-	-	
		374216G01	374216M04	-	1	1	
51	COPPER TUBE (E1)	COPPER TUBE (E) 371356G01	371356M01	1	1	1	
52	FLARE NUT	COPPER TUBE (E) 371356G01	448082F01	1	1	1	
53	INLET FITTING	COPPER TUBE (E) 371356G01	471004G01	1	1	1	

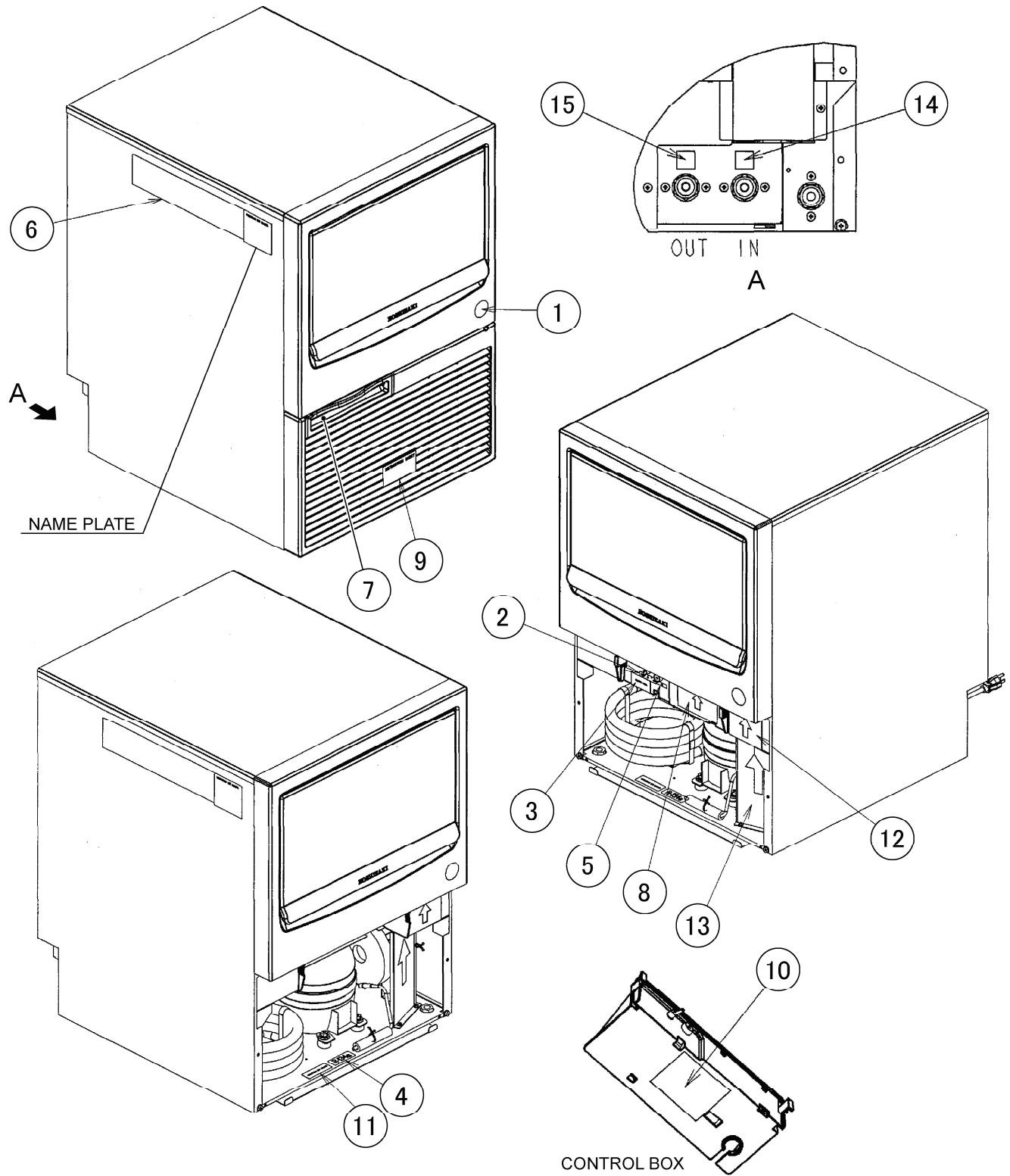
HA

MODEL: <b>KM-151BWH</b>				TITLE: <b>E. REFRIGERATION CIRCUIT</b>			
INDEX NO.	DESCRIPTION	MATERIAL OR MODEL NUMBER	PART NUMBER	REQ'D NUMBER			
				U-1,V-0V-1,E-0	E-1		
54	COPPER TUBE (F1)	COPPER TUBE(F) 371357G01	371357M01	1	-	-	
		374217G01	374217M01	-	1	1	
55	TEE	COPPER TUBE(F) 371357G01	420041-05	1	1	1	
		374217G01					
56	COPPER TUBE B/CAPILLARY	COPPER TUBE(F) 371357G01	446047-02	1	1	1	
		374217G01					
57	TEE	COPPER TUBE(F) 371357G01	420041-02	1	1	1	
		374217G01					
58	PRESSURE SWITCH	COPPER TUBE(F) ACB-1UB29 371357G01	463180-02	1	1	1	
		374217G01					
59	COPPER TUBE (F2)	COPPER TUBE(F) 371357G01	371357M06	1	-	-	
		374217G01	374217M02	-	1	1	
60	BRACKET/FM		470291-01	1	1	1	
61	HEX HEAD BOLT W/WASHER[SW]	5x12	FBK0512S0	2	2	2	
62	FAN MOTOR	M4Q045-BD03-04	P00465-01	1	1	1	
63	FAN BLADE	73761-2-3634	P01056-01	1	1	1	
64	AIR GUARD		371347M01	1	1	1	
65	HEX HEAD BOLT	SUS 4x8	FBF0408S0	2	2	2	
66	VALVE BODY	AMS - B24BH DU - 1	4A3275-01	1	1	1	
67	COIL - VALVE		4A3277-01	1	1	1	
68	BOLT		4A3277F01	1	1	1	



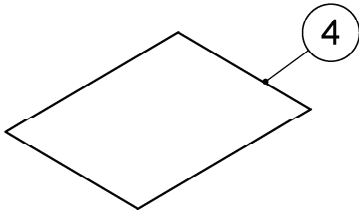
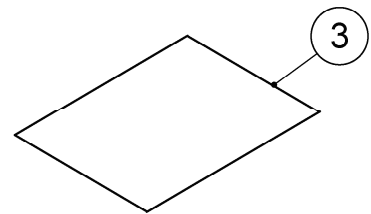
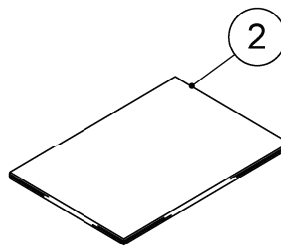
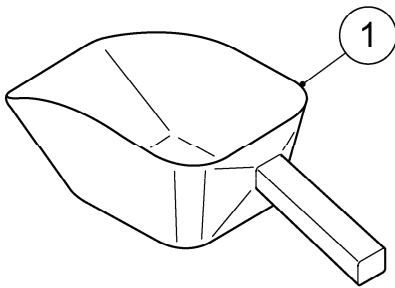
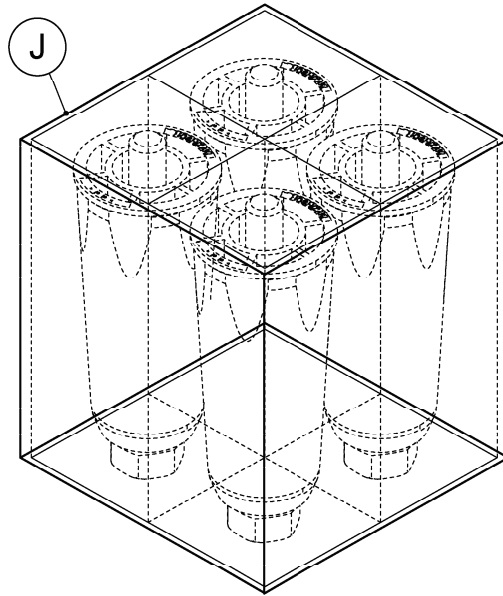
HA

MODEL: <b>KM-151BWH</b>							
TITLE: <b>F. CONTROL BOX ASSY</b>							
INDEX NO.	DESCRIPTION	MATERIAL OR MODEL NUMBER	PART NUMBER	REQ'D NUMBER			
				U-1,V-0	CV-1,E-0	E-1	
1	CONTROL BOX		117624-01	1	1	1	
2	TOGGLE SWITCH	KND-203	P00033-01	1	1	1	
3	FUSE HOLDER	BF115	P00014-01	1	1	1	
4	POWER RELAY	G7L-1A-TUB	449000-01	1	1	1	
5	TRANSFORMER		3A4395-01	1	1	1	
6	CONTROLLER BOARD	HKM2006V003	P01771-02	1	1	1	
7	START CAPACITOR	100µF 160V	4Y1175-01	1	1	1	
8	CABLE TIE	CV-200	7920-0010	1	1	1	
9	FUSE	125/250V 5A	420468-02	1	1	1	
10	T2 SCREW	SUS 4x8	FT20408M0	2	2	2	



HA

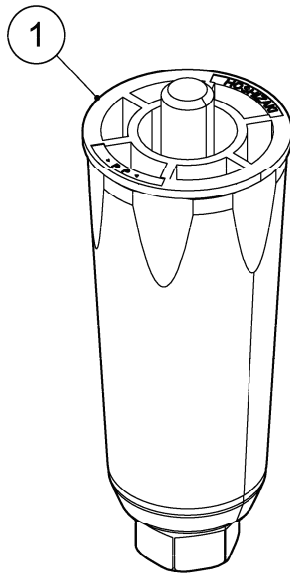
MODEL: <b>KM-151BWH</b>							
TITLE: <b>G. LABEL LOCATION</b>							
INDEX NO.	DESCRIPTION	MATERIAL OR MODEL NUMBER	PART NUMBER	REQ'D NUMBER			
				U-1,V-0	V-1,E-0	E-1	
1	LABEL-PENGUIN		471487L01	1	1	1	
2	CONTROL LABEL- FUSE		476009L01	1	1	1	
3	CAUTION LABEL		464507-01	1	1	1	
4	LABEL/R134a		444463-01	1	1	1	
5	-		-	-			
6	MAINTENANCE LABEL		369056L01	1	1	1	
7	LABEL/AIR FILTER		426177-01	1	1	1	
8	CAUTION LABEL/SERVICE		370640L01	1	1	1	
9	INSTRUCTION SHEET		471384L01	1	1	1	
10	WIRING LABEL		370657L01	1	1	1	
11	MODEL NUMBER LABEL		471927L04	1	1	1	
12	LABEL-ALARM		370310L01	1	1	1	
13	LABEL/CONTROL BOARD		370605L02	1	1	1	
14	LABEL-INLET		418029-04	1	1	1	
15	LABEL-OUTLET		418029-05	1	1	1	



HA

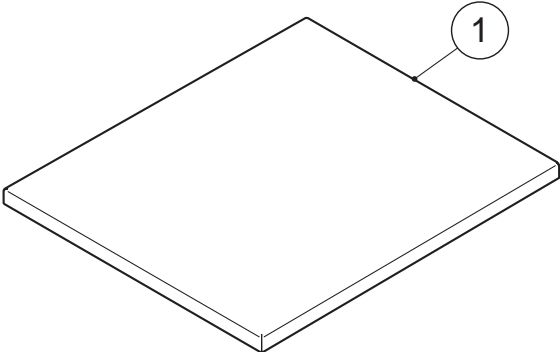
MODEL: <b>KM-151BWH</b>							
TITLE: <b>H. ACCESSORIES</b>							
INDEX NO.	DESCRIPTION	MATERIAL OR MODEL NUMBER	PART NUMBER	REQ'D NUMBER			
				U-1,V-0	V-1,E-0	E-1	
J	LEG SET - UNC		472736A01	1	1	1	
1	SCOOP		1H4123P02	1	1	1	
2	INSTRUCTION MANUAL		L1M006105	1	1	1	
3	WARRANTY CERTIFICATE		2A4016-01	1	1	1	
4	REGISTRATION CARD		2A2894-01	1	1	1	





HA

MODEL: <b>KM-151BWH</b>		TITLE: <b>J. LEG SET - UNC</b>					
INDEX NO.	DESCRIPTION	MATERIAL OR MODEL NUMBER	PART NUMBER	REQ'D NUMBER			
				U-1,V-0	V-1,E-0	E-1	
1	LUG -UNC		371053G01	4	4	4	



HA

MODEL: <b>KM-151BWH</b>		TITLE: <b>K. OPTIONAL PARTS</b>					
INDEX NO.	DESCRIPTION	MATERIAL OR MODEL NUMBER	PART NUMBER	REQ'D NUMBER			
				U-1,V-0	V-1,E-0	E-1	
1	COVER - TOP PANEL	before serial number D00522M	266603M03	1	1	-	
		serial number D00522M and later		-	-	-	