

KOALA KARE PRODUCTS

Installation and Operation Instructions

KB112-01RE Baby Changing Station
Cambiador Plegable
Table à Langer
Babywickeltisch



Your unit can be installed to meet ADA regulations when and where applicable. Refer to Federal Register, Volume 56, No 144 28 CFR Part 36.

You are responsible for the safe operation of this unit.
IMPORTANT. RETAIN FOR FUTURE REFERENCE. READ CAREFULLY.
IMPORTANTE. GUÁRDELO PARA FUTURAS CONSULTAS. LEER ATENTAMENTE.
IMPORTANT. À CONSERVER POUR INFORMATION. À LIRE ATTENTIVEMENT.
WICHTIG. ZUR SPÄTEREN BEZUGNAHME AUFBEWAHREN. BITTE SORGFÄLTIG DURCHLESEN.



KB112-01RE COUNTERTOP BABY CHANGING STATION INSTALLATION INSTRUCTIONS

Please Note:

To assure proper installation, it is suggested that a qualified person or carpenter install the Koala Baby Changing Station. Koala Kare Products will not be responsible if the station is not installed properly.

Koala Baby Changing Stations are intended for use on an existing countertop surface that is capable of holding significant weight. Unit should be permanently mounted to the countertop surface per the installation instructions. When an infant is placed onto changing surface, use strap and buckle to secure infant to changing surface. Never Leave Child Unattended.

Restraint System: To fasten the waist restraint strap, place strap around child’s midsection, and push spring tabs into buckle until both spring tabs lock in place with an audible “click”. Straps can be adjusted to make strap tighter or looser as required.



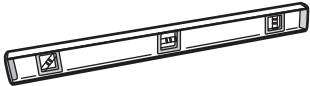



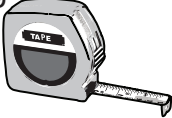
You are responsible for the safe operation and use of this unit. Not intended to hold more than 50 lbs.

Inspection Criteria:




A properly maintained baby changing station:

- Is free of any cracks or damage that can cause injury.
- Has two sides of a retaining strap free from damage.
- Check straps for wear. Buckle should lock with an audible click.
- Check labels and replace as needed.

TOOLS NEEDED

Gloves 	Phillips Head Screwdriver 	Level 	Pencil 
Drill 	1/8” Drill Bit (regular and masonry) 	Measuring Tape 	Saw

HARDWARE PROVIDED

8 Screws 	8 Screw Covers 	8 Screw Cover Bases 
---	--	--

INSTALLATION INSTRUCTIONS

Countertop Mounted Baby Changing Station Model Number KB112-01RE

Step 1.

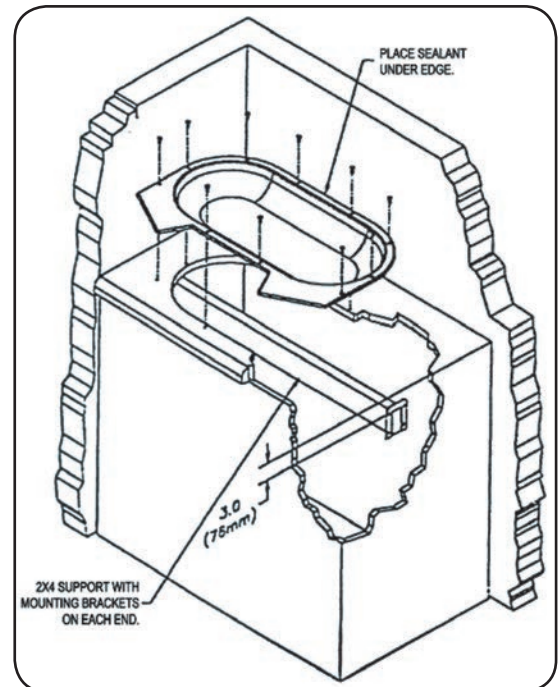
Remove changing station from the shipping container and check for any freight damage. Identify the best location for installing the unit.

Step 2.

Remove the rough opening template from the shipping carton. Remove paper template and lay it on the surface where the unit will be mounted. Drill hole in interior of rough opening to allow saw access. Cut out rough opening.

Step 3.

Construct under counter support as shown in the illustration. Support should be 3" below bottom of mounting surface.




Step 4.


Place the Countertop Baby Changing Station (BCS) onto counter surface and place in desired position. Using the mounting holes as a guide, mark the screw hole locations with a pencil. Remove BCS and drill holes with a 1/8" diameter drill bit.

Step 5.


Place BCS onto counter surface using the drilled holes as a guide. Slide screw through the screw cover base. Screw fasteners through holes into countertop surface. Securely snap screw cover onto screw cover base. Apply a suitable water sealant (not provided) such as silicone around the base of the BCS.


 **WARNING:** Never leave child unattended.


 **WARNING:** Avoid serious injury from falling or sliding out. Always use restraint system.

 **WARNING:** Designed for Infants Only. Age up to 3.5 years and weighing less than 50 lbs. Keep one hand on the child at all times.




Parcels or accessory items, or both, placed on the unit may cause the unit to become unstable.





 **ATTENTION :** Ne laissez jamais un enfant sans surveillance.


 **ATTENTION :** Évitez les blessures occasionnées par une chute ou une glissade. Utilisez toujours le système de retenue.


 **ATTENTION :** Conçue uniquement pour les jeunes enfants. Jusqu'à 3 ans et demi et moins de 50 lb (23 kg). Conservez une main sur l'enfant à tout moment.


Tout paquet ou accessoire placé sur la table peut créer un déséquilibre.

 WARNING	
	WARNING Never leave child unattended.
	WARNING Avoid serious injury from falling or sliding out. Always use restraint system.
	WARNING Designed for Infants Only. Age up to 3.5 years and weighing less than 50 lb. Keep one hand on child at all times.
<small>Koala Kare Products, A Division of Bobrick 6982 S Quentin Street Centennial, CO 80112 Ph 888-733-3456/303-539-8300 - www.koalabear.com P/N 975</small>	


 WARNING	
	WARNING Never leave child unattended.
	WARNING Avoid serious injury from falling or sliding out. Always use restraint system.
	WARNING Designed for Infants Only. Age up to 3.5 years and weighing less than 50 lb. Keep one hand on child at all times.
<small>Koala Kare Products, A Division of Bobrick 6982 S Quentin Street Centennial, CO 80112 Ph 888-733-3456/303-539-8300 - www.koalabear.com P/N 975</small>	


 **ADVERTENCIA:** No deje nunca al niño desatendido.

 **ADVERTENCIA:** Evite que el niño se lesione por caerse o resbalarse del cambiador Use siempre el sistema de sujeción.

 **ADVERTENCIA:** Diseñado exclusivamente para bebés. Hasta 3 años y medio de edad y con un peso inferior a 50 libras (22,5 kg aproximadamente). Mantenga siempre al niño sujeto con una mano. Colocar paquetes o accesorios, o ambas cosas, encima del cambiador puede provocar que se desestabilice.

 **WARNUNG:** Das Kind niemals unbeaufsichtigt lassen.

 **WARNUNG:** Ernsthaftige Verletzungen durch Herausfallen oder Herausrutschen verhindern. Immer das Rückhaltesystem verwenden.

 **WARNUNG:** Dieses Produkt ist nur für Kleinkinder bis zu 3 1/2 Jahren und einem Gewicht von höchstens 50 lbs. (23 kg) vorgesehen. Das Kind immer mit einer Hand festhalten. Durch Ablegen von Päckchen und Zubehör auf der Wickeltisch kann diese instabil werden.