



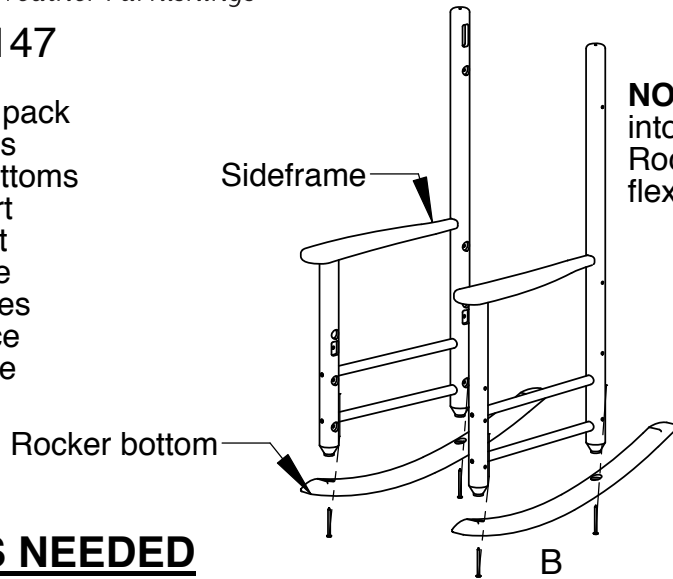
All Weather Furnishings

Model: K147

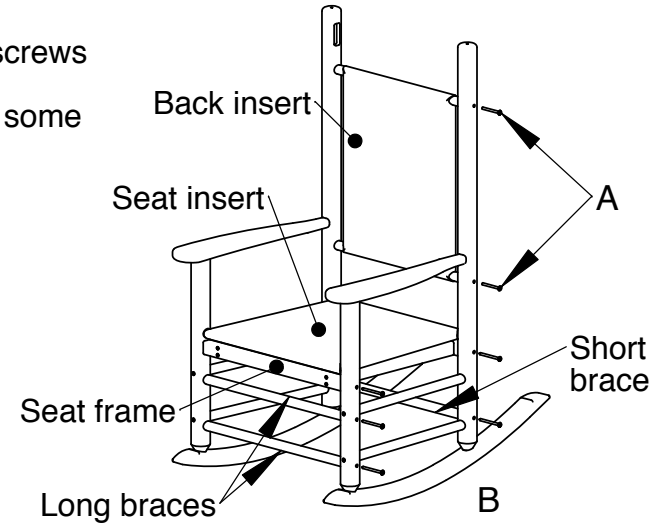
- ___ (1) Hardware pack
- ___ (2) Sideframes
- ___ (2) Rocker bottoms
- ___ (1) Back insert
- ___ (1) Seat insert
- ___ (1) Seat frame
- ___ (2) Long braces
- ___ (1) Short brace
- ___ (1) Head piece

Step 1
 Attach rocker bottoms to sideframes using (4) .27x3 wafer screws.

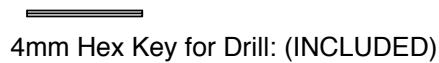
Step 2
 Attach long braces, short braces, seat frame and seat insert to one of the sideframes using (5) .27x3" chair screws.
 Attach back insert to sideframe using (2) 2 1/2" chair bolts.
Note: Front of seat is wider



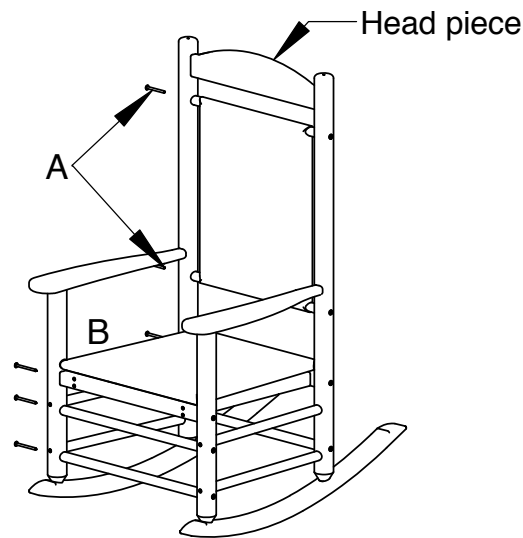
NOTE: Partially thread both screws into post before tightening. Rocker bottoms may require some flexing for proper fit.



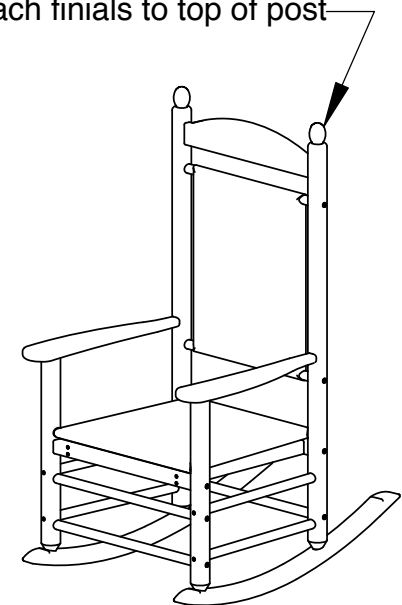
TOOLS NEEDED



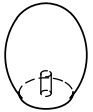


Step 3
 Insert head piece into top of post
 Repeat step 2 on other side



Step 4
 Attach finials to top of post



Qty.	Description
------	-------------

2	 Finial w/dowel screw
4	 A - 1/4-20 X 2-1/2 WAFER SHCS
14	 B - .27 X 3 SOCKET WAFER A

POLYWOOD®

All Weather Furnishings

Join the POLYWOOD® Community

Share in the love of outdoor living, recycling, and more...



POLYWOOD



@POLYWOODINC



youtube.com/polywood



POLY-WORLD
Blog



POLYWOOD



To view our full warranty, please visit the warranty page on our website at polywoodinc.com/resources.

If you have questions or concerns regarding assembly instructions or missing parts, please contact us at (877) 457-3284 or email support@polywoodinc.com