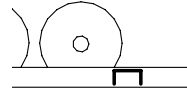


## ASSEMBLY & INSTALLATION INSTRUCTIONS

### Rack Assembly

Assemble of rack by attaching shelves to angle uprights with stainless steel machine screws and nuts.



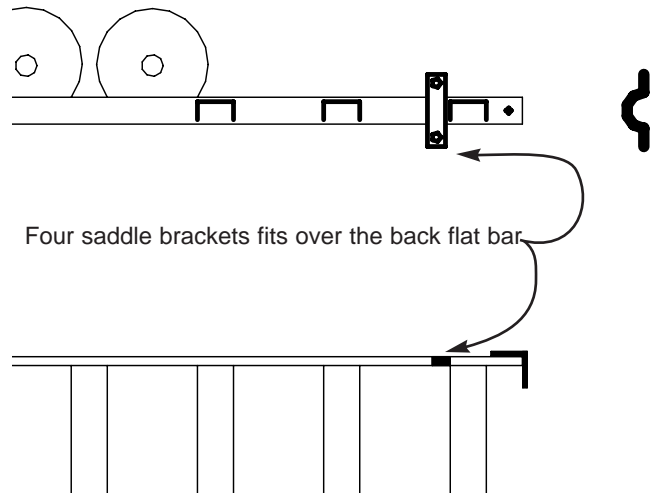
Note that the channels of the shelves open downward.



When using a power screwdriver or drill use a light torque setting.

### Rack installation

**Important: Rack must be attached to a supporting structure such as a vertical wall or post. Due to varied walls customer must furnish appropriate fastener.**



Four saddle brackets fits over the back flat bar.

The saddle brackets should be attached on the second from top and middle shelves.

To attach the rack to a stud wall, two strips of 3/4" plywood strips should be attached to the studs the rack attached to plywood.