

# INSTRUCTIONS FOR USE AND CARE OF YOUR INSULATED PRODUCTS

## CATER GATOR



### Proper Use of Your Insulated Product

1. Wash and rinse the unit prior to its use.
2. Preheating interior with hot water will improve heat retention.
3. Pre-chilling entire unit will improve cold retention.
4. Load container to its maximum capacity. Make sure the gasket is in place. Replace lid and lock in position.

### Care and Cleaning of Insulated Carrier

1. Clean after every use. Destaining compounds approved for food or beverage contact may be used. Ask your detergent supplier for proper compound.
2. **Make sure gasket is removed prior to running through a dishwasher.** Also, prevent latches from getting caught in the conveyor.

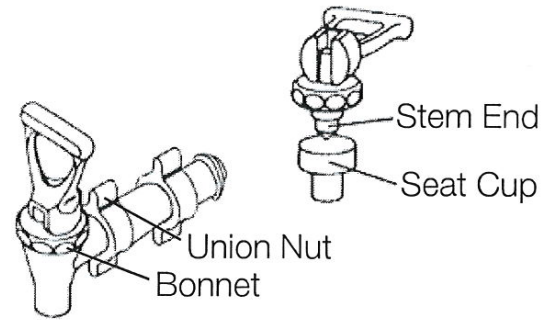
### Beverage Dispenser Filling Instructions

**CAUTION** Liquid can overflow or squirt out of the vent cap when securing lid if the unit is overfilled. **TO PREVENT OVERFLOW, DO NOT FILL HIGHER THAN 1¼" FROM TOP.**

## Care and Cleaning of the Faucet

### To remove faucet assembly from unit:

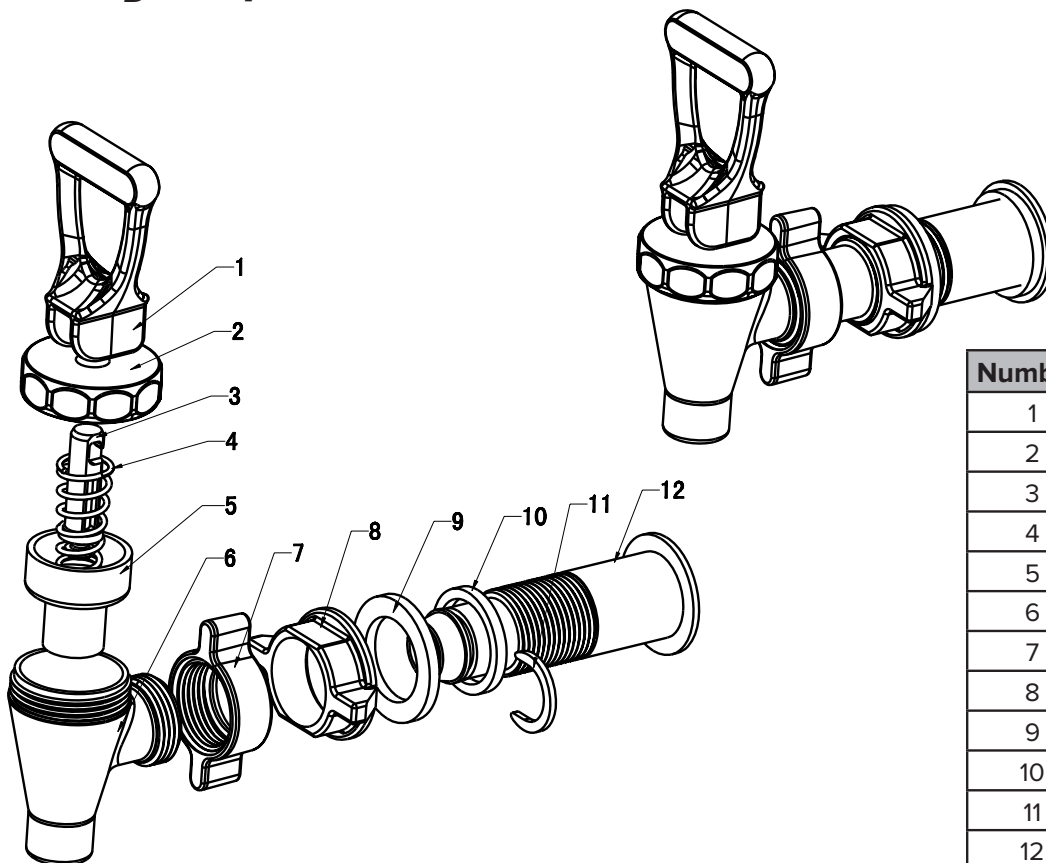
1. Unscrew union nut to remove faucet from unit.
2. Unscrew bonnet from faucet body to expose rubber seat cup and stem end. Pull down on seat cup to remove.
3. Push back union nut and remove metal “c” ring. Unscrew wing nut to remove spout from unit completely. Set aside large fiber washer, small rubber washer and “c” ring.
4. Depress faucet lever in “locked open” position to clean top of bonnet thoroughly.
5. Clean all parts of faucet with a solution of hot water and urn cleaner. Use a faucet brush to clean the insides of the faucet and spout.



### To return faucet assembly to unit:

1. Place small rubber washer on spout first. Then place spout inside unit.
2. Place large fiber washer on spout from outside the unit.
3. Screw wing nut on spout with circle base facing the unit. Fit union nut on spout with inner screw side facing out. Replace metal “c” ring.
4. Replace rubber seat cut on spring and stem end of faucet. Apply pressure to secure seat cup.
5. Screw bonnet onto faucet body.
6. Screw faucet onto spout and tighten union nut.

## EXPLODED PARTS DIAGRAM Beverage Dispenser Faucet



Number	Part Name
1	Faucet Lever
2	Bonnet
3	Stem End
4	Spring
5	Rubber Seat Cup
6	Faucet Body
7	Union Nut
8	Wing Nut
9	Large Fiber Washer
10	Small Rubber Washer
11	Metal C Ring
12	Spout