

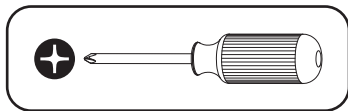


LANCASTER TABLE & SEATING

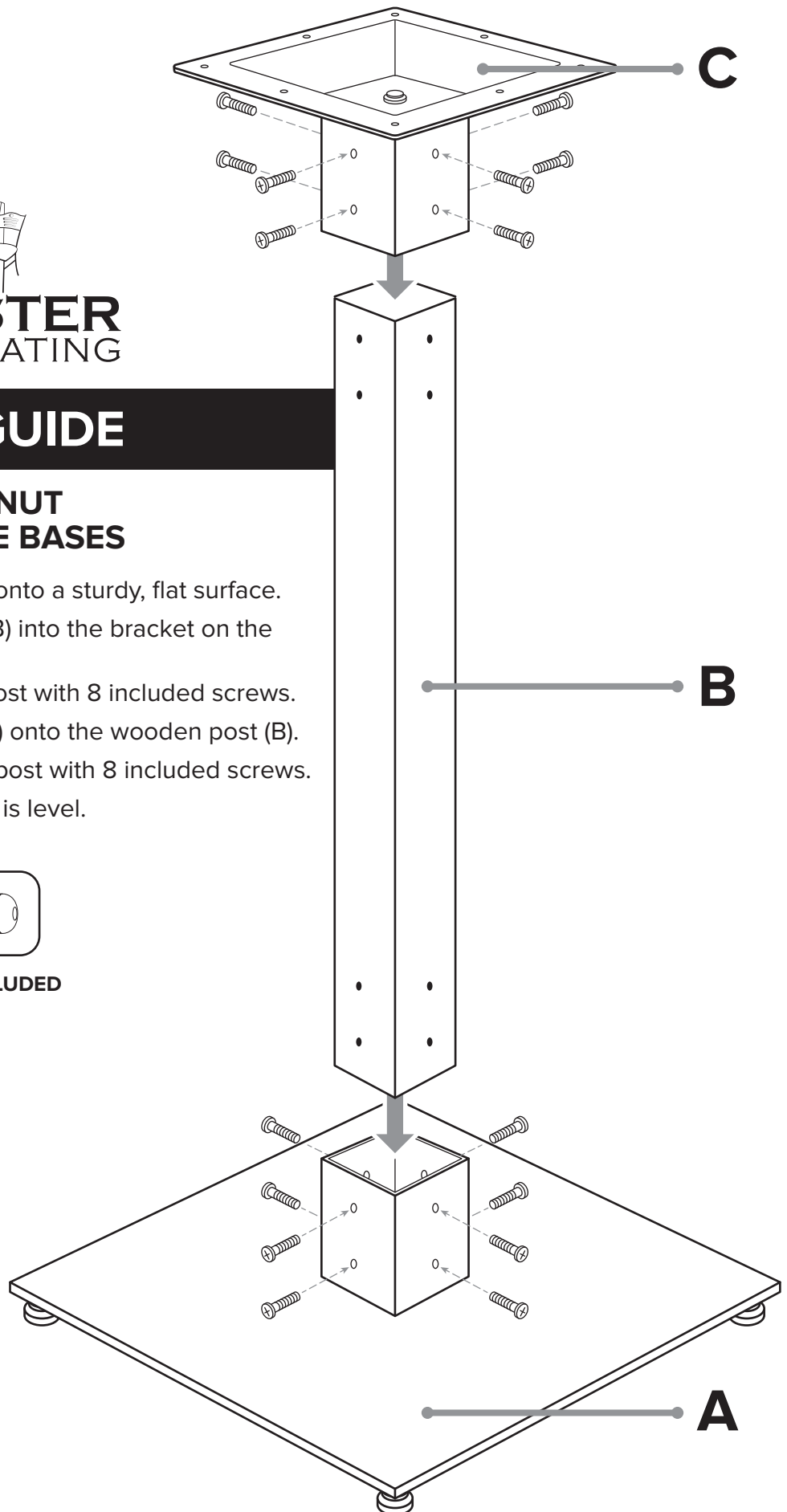
ASSEMBLY GUIDE

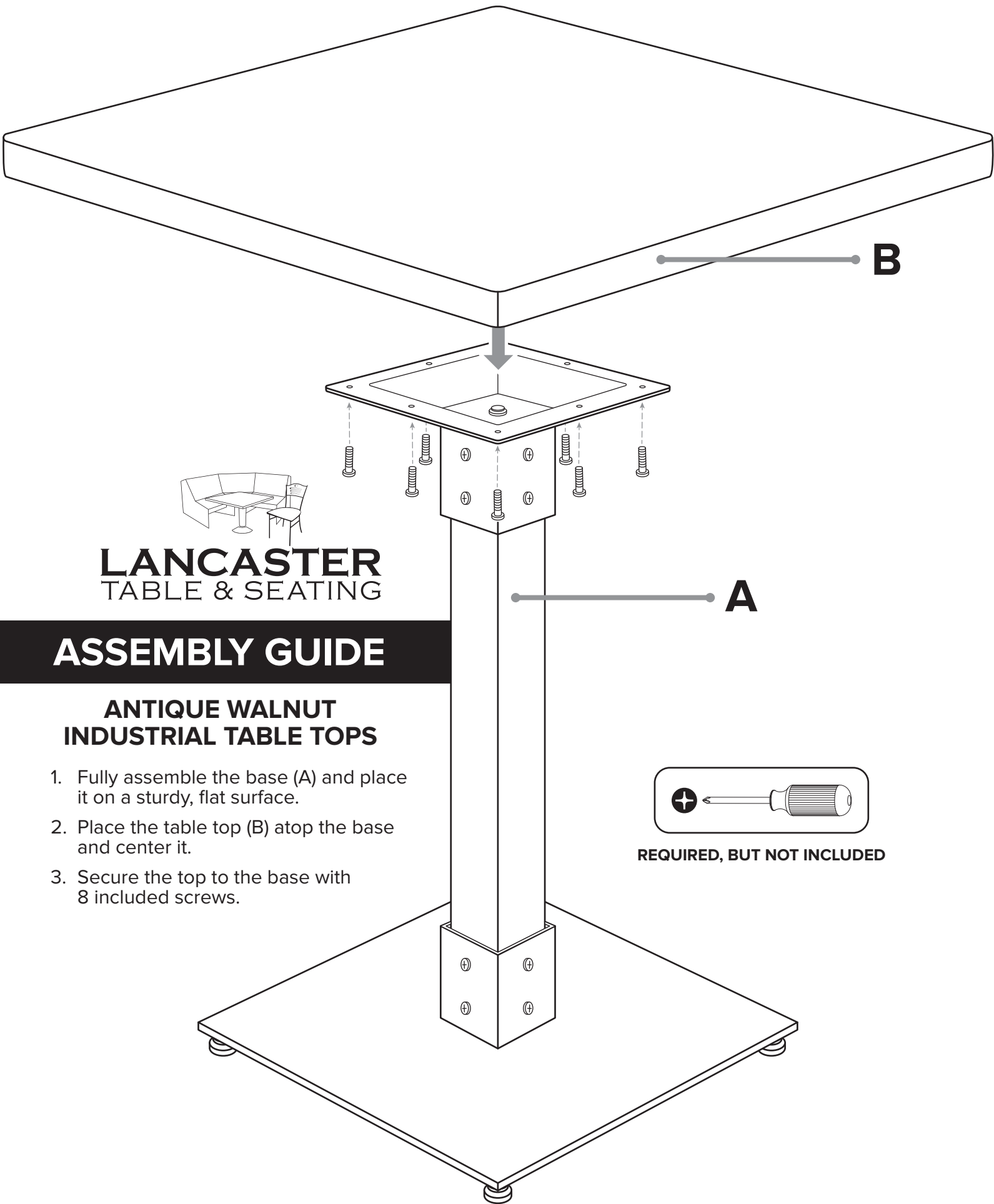
ANTIQUÉ WALNUT INDUSTRIAL TABLE BASES

1. Place the metal base (A) onto a sturdy, flat surface.
2. Insert the wooden post (B) into the bracket on the metal base (A).
3. Secure the base to the post with 8 included screws.
4. Place the metal spider (C) onto the wooden post (B).
5. Secure the spider to the post with 8 included screws.
6. Adjust feet until the base is level.



REQUIRED, BUT NOT INCLUDED



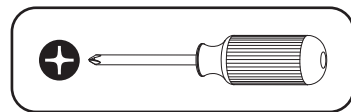


LANCASTER TABLE & SEATING

ASSEMBLY GUIDE

ANTIQUE WALNUT INDUSTRIAL TABLE TOPS

1. Fully assemble the base (A) and place it on a sturdy, flat surface.
2. Place the table top (B) atop the base and center it.
3. Secure the top to the base with 8 included screws.



REQUIRED, BUT NOT INCLUDED