

INSTALLATION INSTRUCTIONS DROP-IN BAIN MARIE STYLE HEATED TANK MODEL HT-400AF WITH WATER FILL

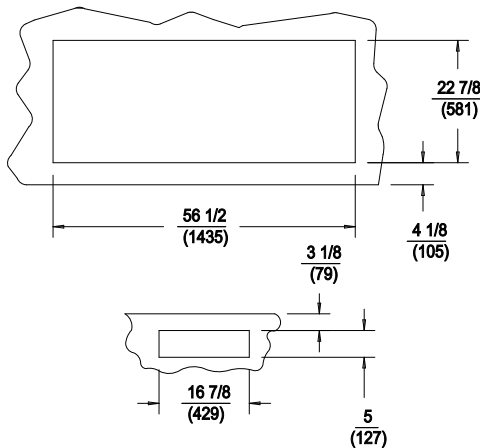
ELECTRICAL

MODEL	VOLTS	WATTS	AMPS PER LINE 3 PHASE			AMPS SINGLE PHASE	FIELD WIRING GAUGE		TEMP. RATING
			L1	L2	L3		3 PHASE	1 PHASE	
HT-400AF	208	3600	8.70	15.0	8.7	17.3	12 AWB Cu	10 AWB Cu	90°C
HT-400AF	240	4800	10.0	17.3	10.0	20.0	10 AWB Cu	10 AWB Cu	90°C

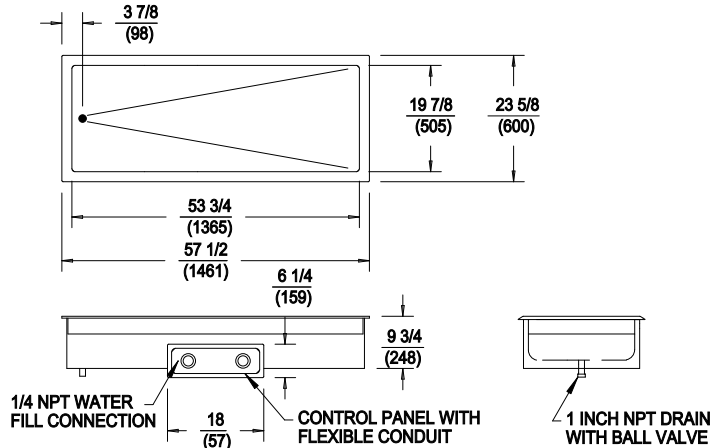
INCHES
(MM)

UNITS ARE SHIPPED THREE PHASE AND ARE FIELD CONVERTIBLE TO SINGLE PHASE

CUTOUT DETAILS



PRODUCT DIMENSIONS



CLEARANCES

MINIMUM CLEARANCE REQUIRED FROM UNIT TO THE NEAREST SURFACE			
BACK	SIDE	BOTTOM	FRONT
1 (25)	1 (25)	6 3/4 (171)	4 1/8 (105)

INSTALLATION INSTRUCTIONS

INSTALLER MUST MEET CONDITIONS OF ACCEPTABILITY OUTLINED BELOW UPON INSTALLATION:

1. Required installation clearances: **Wooden and Metal Installation: DO NOT** install closer than 4 1/8 inches to front wall, 1 inch to back and side walls, and 6 3/4 inches to surface below the unit.
2. Unit shall be accessible for servicing from the bottom.
3. If storage is to be used underneath the unit, it is recommended that a baffle be placed 8 1/2 inches below the unit to avoid contact with elevated temperatures.
4. For water and waste connections: This appliance is to be installed to comply with applicable federal, state or local plumbing codes.

TO FABRICATE:

1. Lay out "cutout" dimensions on countertop and front apron.
2. Lay out and fabricate control panel holes in counter apron using the control box as a template.
3. Cut out holes.

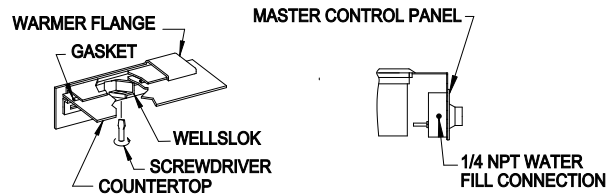
TO INSTALL:

IMPORTANT - DO NOT disconnect lead wires from the Master Control Panel when making installation.

1. Tilt and pass Control Panel and electrical box through the countertop cutout, then through the apron cutout.
- Lower modular section into countertop cutout and position.

RECOMMENDATION: Before final seating of modular section to countertop, apply a bead of silicone adhesive/sealant to the underside of gasket supplied on the mounting flange.

2. From underneath, insert screwdriver into slots in Wellslock frame and twist ears outward (clockwise) as required to secure flange tightly to countertop.
3. Mount Control Box to apron cutout as shown in drawing.
4. Mount Control Panel onto electrical box using the screws supplied.



TO PLUMB:

1. A drain with valve is supplied on all units. Location of the valve handle is at the discretion of the fabricator (see drawing).
2. Connect 1" drain connection to a suitable drain line.
3. Connect 1/4 NPT flexible water fill line to solenoid valve in outlet box, maximum pressure 120 PSI, maximum temperature 120°F.

TO WIRE:

1. Final connection is accomplished by bringing proper power supply leads (see "WIRING REQUIREMENTS" label) through conduit knockout to terminal block supplied within the Master Control Panel. Check nameplates for voltage and phase.

NOTES:

BAIN MARIE STYLE HEATED TANKS ARE DESIGNED FOR WET OPERATION ONLY.

A BACK FLOW PREVENTER IS INCORPORATED IN THE WATER FILL LINE BETWEEN SOLENOID VALVE AND PAN. LOCAL CODES MAY REQUIRE AN ADDITIONAL VACUUM BREAK DEVICE, NOT PROVIDED BY WELLS.

INSTALLATION MUST MEED LOCAL PLUMBING AND ELECTRICAL CODES.