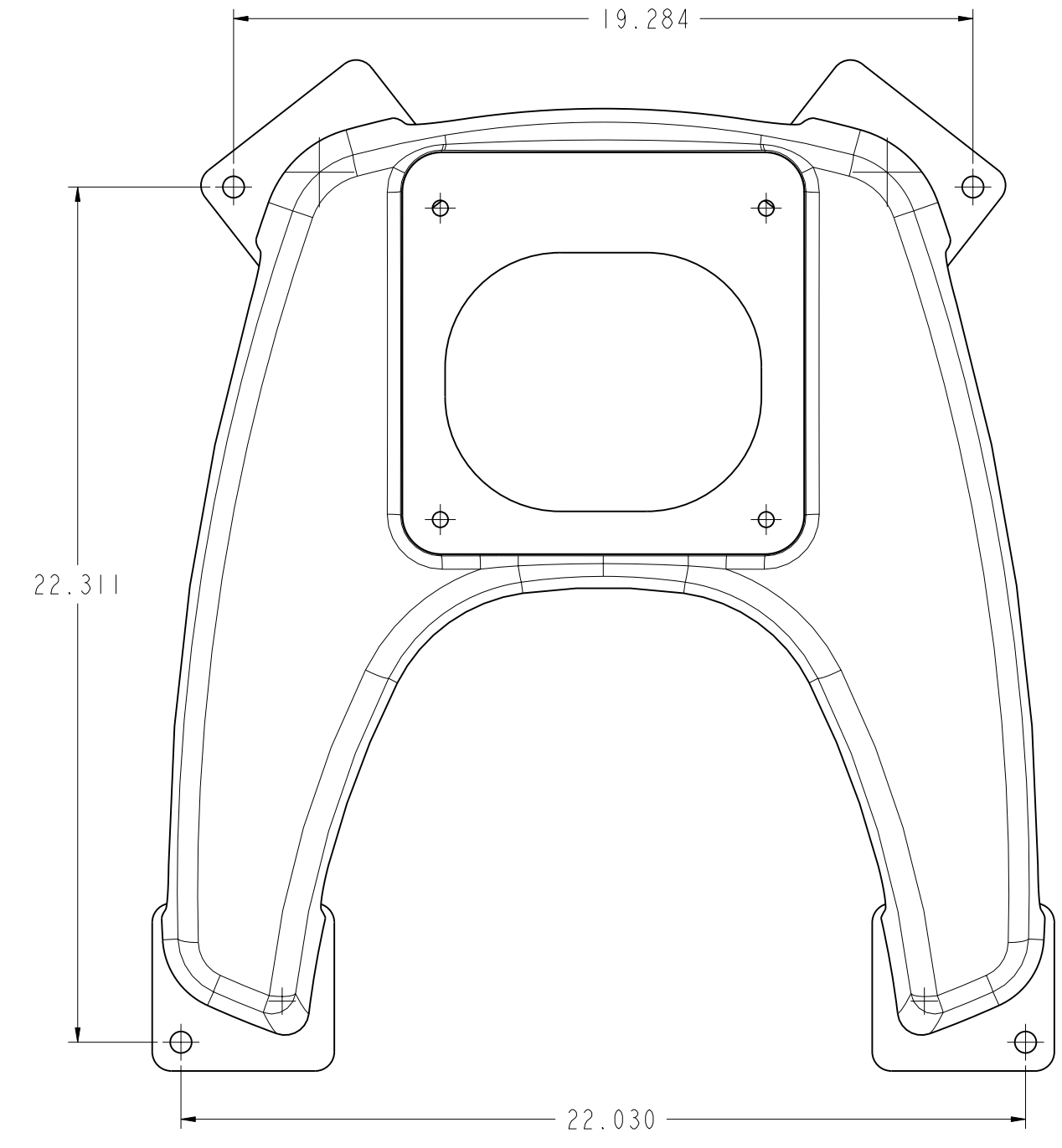
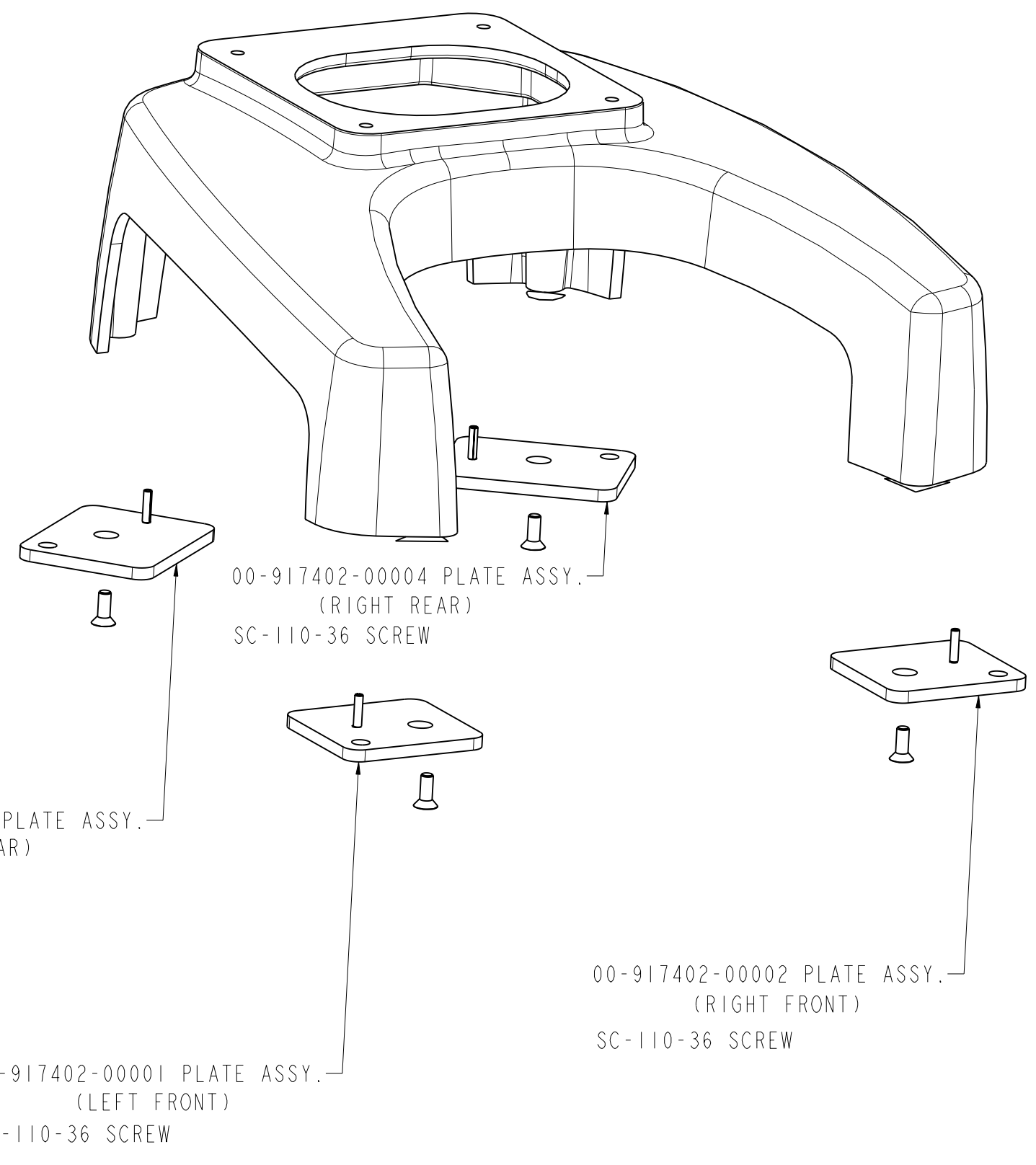


+ ADD		- REMOVE		± WAS	
LTR	REVISION	ZONE	DATE	PCB NO	
B	RELEASED FOR PRODUCTION	---	01/24/08	3101406	



NOTE: FILL BOLT-DOWN HOLES WITH RTV WHEN NOT USED.

REF	REV	FM	ANY VENDOR SUPPLYING PARTS UNDER THIS DRAWING AGREES NOT TO REVISE ANY PHYSICAL, DIMENSIONAL, MATERIAL OR PERFORMANCE CHARACTERISTICS OF SUCH PARTS AFTER APPROVAL BY ITW FOOD EQUIPMENT GROUP OF VENDOR'S SAMPLES UNLESS AUTHORIZED IN WRITING BY ITW FOOD EQUIPMENT GROUP.		
DRAWING STATUS			THIS DOCUMENT CONTAINS PROPRIETARY AND CONFIDENTIAL DATA OF ITW FOOD EQUIPMENT GROUP. NO DISCLOSURE, REPRODUCTION, OR USE OF ANY PART THEREOF MAY BE MADE WITHOUT WRITTEN PERMISSION OF ITW FOOD EQUIPMENT GROUP.		
STATUS: _____ SUPERSEDED BY: _____ FOR SERVICE USE: _____			ITW FOOD EQUIPMENT GROUP		
TOLERANCES NOT SPECIFIED:			INSTRUCTION, PAD- CORROSION		
.XXX DECIMALS (EXCEPT HOLES): ± .030			HL-200		
PUNCHED HOLE TOLERANCES: ±.005		CHAMFERS DESIGNATED BY (C):	SEE NOTE		PROENGINEER DRAWING DATA:
DRILL HOLE TOLERANCES:		.020/.040X40°/50°	N/A		REV: 00-917427
UP TO .124 DIA. +.003-.001		ANGLES:	RTLOCKER		DATE: 11/08/07
.125 TO .249 DIA. +.004-.002		±1	DATE: 11/08/07		SCALE: 0.500
.250 TO .624 DIA. +.005-.002		STOCK SIZES-STANDARD COMMERCIAL TOLERANCES APPLY			
.625 TO 3.000 DIA. +.010-.002		ALL DIMENSIONS IN INCHES UNLESS OTHERWISE SPECIFIED			
DO NOT SCALE DRAWING REPORT ERRORS IMMEDIATELY			E 00-917427		
ENGR: ELEC	MATL	PACK	PROD	I B	