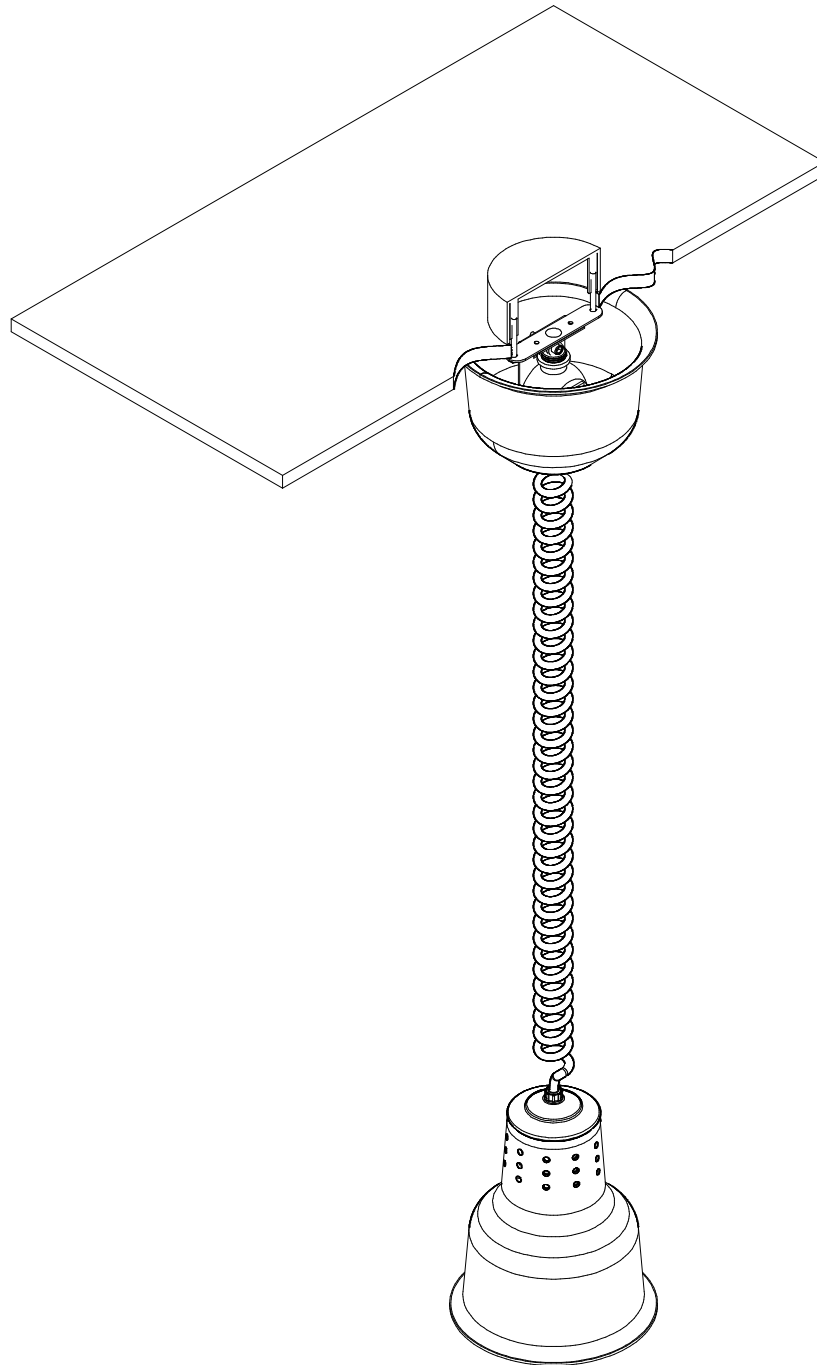


Installation Manual for Retractable Cord Warmer



Hanson Heat Lamps. 7530 San Fernando Road Sun Valley, CA 91352,
Toll-Free (888) 841-3773, Phone (818)767-3501, Fax (818) 767-7691,
Email:info@hansonbrass.com

Installation Manual for Retractable Cord Warmer

Installation Guidelines

SPECIAL NOTE: Installation and repair of this equipment should be performed by qualified persons only. Hanson Brass does not warranty any damage occurring as a result of improper installation.

It is recommended that this installation manual be completely reviewed prior to installation.

- It is recommended that the Retractable Cord Warmer be mounted directly over a 4-0 junction box. If this is not possible the input power supply lines should be wired in accordance with all applicable building codes.
- The supply circuit line must be as follows:
 - 120 VAC lights-110-120 VAC 50/60 Hz, single phase, three wire, capable of supplying 250watts @ 2.5 amperes.
 - 230 VAC lights- 220-240 VAC, 50/60 Hz, single phase, three wire, capable of supplying 250 watts @ 1.5 amperes.
- The power supply circuit must be in compliance with all applicable building codes.
- It is recommended that the Retractable Cord Warmer is connected to it's own supply circuit with integral circuit breaker. The circuit breaker will act as the supply main dis-connect switch.



Failure to provide a circuit meeting these minimum standards or complying with local building codes can cause a shock hazard.

GENERAL INFORMATION

The Retractable Cord Warmer is shipped in one carton.

Prior to installation insure that all components shown in Figure 1 are present.

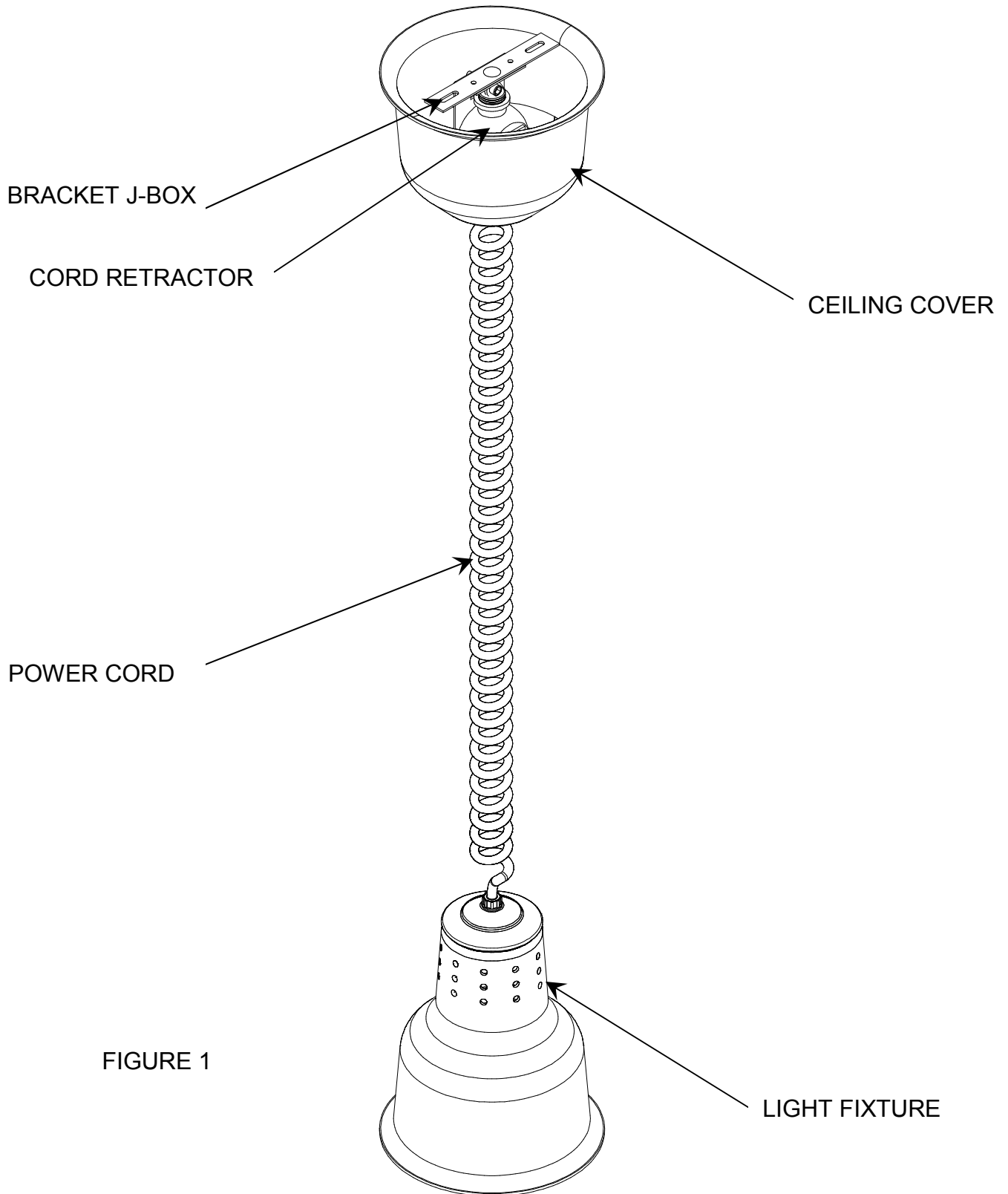


WHEN REMOVING PARTS FROM THE SHIPPING CARTON, BE CAREFUL NOT TO DAMAGE THE COMPONENTS.

IMPORTANT: THOROUGHLY CHECK THE BOX FOR PARTS THAT MAY BE LOCATED IN AREAS THAT CAN BE OVERLOOKED.

Hanson Heat Lamps. 7530 San Fernando Road Sun Valley, CA 91352,
Toll-Free (888) 841-3773, Phone (818)767-3501, Fax (818) 767-7691,
Email:info@hansonbrass.com

Installation Manual for Retractable Cord Warmer



Hanson Heat Lamps. 7530 San Fernando Road Sun Valley, CA 91352,
Toll-Free (888) 841-3773, Phone (818)767-3501, Fax (818) 767-7691,
Email:info@hansonbrass.com

Installation Manual for Retractable Cord Warmer

Fixture Installation

- Fixture is shipped completely assembled except for lamp which is separate
- Remove the ceiling cover attachment nut. Pull ceiling cover down over nipple to expose the J-box bracket.(See Figures 1 and 2)
- Mount the J-Box bracket into the J-Box using two 8-23 screws(screws are provided with fixture). Bracket is designed to be flush mounted on ceiling.
- Cut power cord to appropriate length. Wire power cord as follows: Green/yellow wire to ground. Blue wire to neutral conductor, Brown wire to line conductor
- Install the ceiling cover over the J-box,.
- Install lamp into light fixture
- Installation is complete.

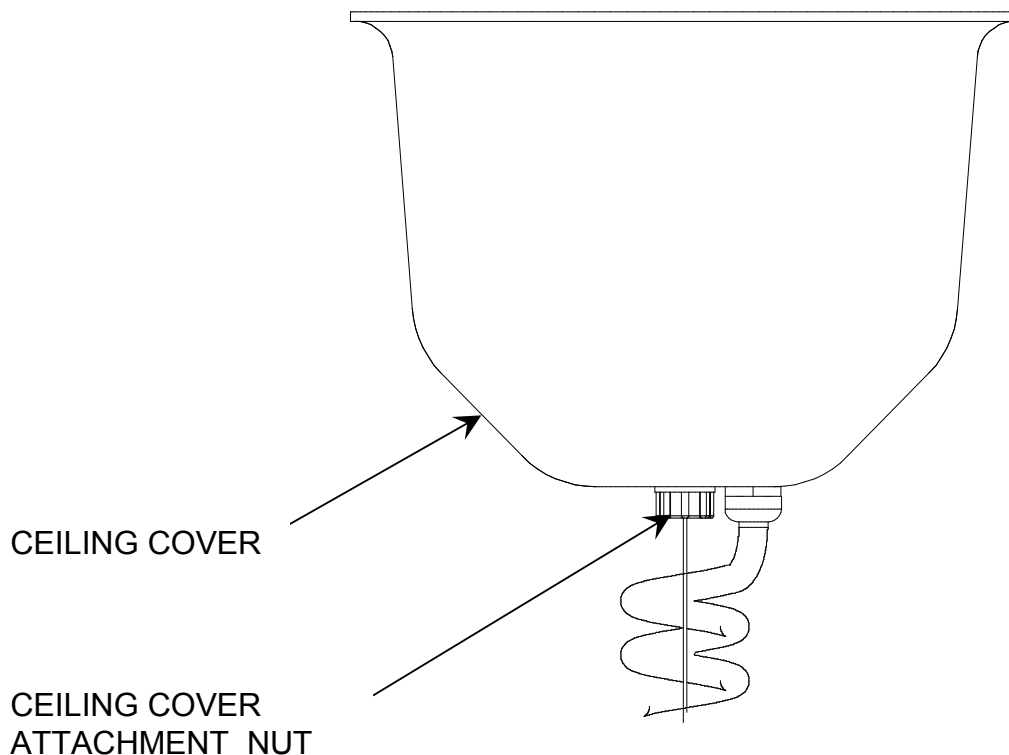


FIGURE 2

Installation Manual for Retractable Cord Warmer

Cord Tension Adjustment

- Remove Ceiling cover attachment nut. (See figure 2)
- Pull ceiling cover down exposing cord retractor assembly. (See figure 3)
- To increase tension, turn wing-nut clockwise. To decrease tension, turn wing-nut counterclockwise.

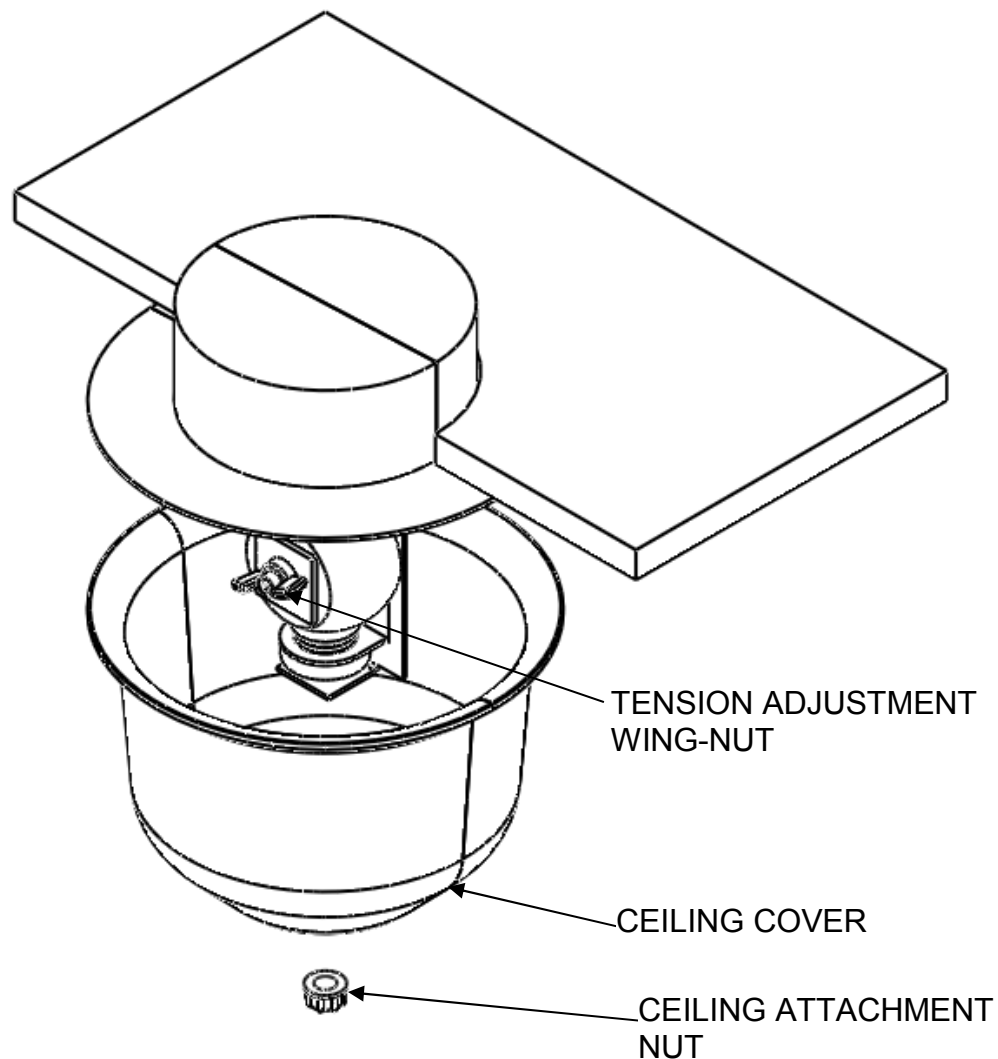


FIGURE 3