

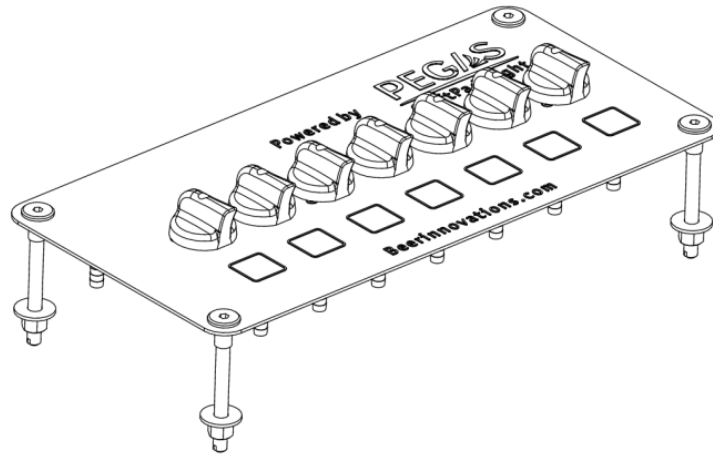
Pegas CraftPad Light data sheet.

1. Device purpose

Pegas CraftPad Light – is a flow control switch manifold, for seven different beers that are being dispensed through PEGAS CraftTap or another dispensing device.

PEGAS CraftPad manifold has 7 flow control switches:

- Six of them are for beer dispensing
- Seventh is for beer filling line purge with CO₂



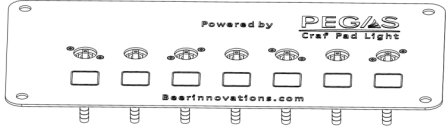
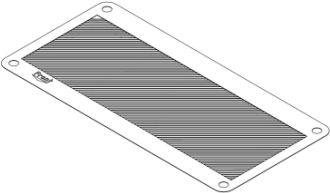


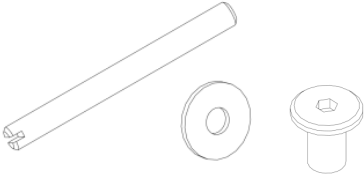

2. Technical data

The flow switch device CraftPad Light is made of brass, ABS plastic and stainless steel.

Parameter	Units	Value	
Filling capacity (depends on the temperature, beer qualities, and operator qualification)	L/h (gal/h)	45-120 (10.22 – 27.24)	
CO ₂ pressure supplied to the keg	MPa (bar)	0.15 – 0.25 (1.5 – 2.5)	
CO ₂ flow rate (to create counter-pressure)	Kg/h (lb/h)	0.2 – 0.8 (0.44 – 1.76)	
Outside supply hose diameter	mm (in)	12 (1/2)	
Inside supply hose diameter	mm (in)	7 (5/16)	
Device weight	Net	kg (lb)	2.9 (6.39)
	Gross	kg (lb)	3.05 (6.72)

*Device appearance, its design, technical data and consumer characteristics may be changed without notice

3. Packaging contents

<p>Flow control switch manifold, 1 pc</p>  <p>The manifold is a rectangular metal plate with six circular ports along the top edge. It features the text 'Powered by PEGAS Craft Pad Light' and 'BearInnovations.com' on its surface. Six screws are visible along the bottom edge.</p>	<p>Stencil for surface hole drilling, 1 pc</p>  <p>A rectangular metal plate with a grid of small holes and four corner mounting holes.</p>
<p>Valve for flow control switch, 7 pcs</p>  <p>A small, curved metal component with a central opening and a small protrusion on the side.</p>	<p>Screw with washer for valve fixing, 7 pcs</p>  <p>A long screw with a flat washer at the bottom end.</p>
<p>Pin M8 with flat washer and nut, 4 pcs</p>  <p>A long pin with a flat washer and a nut attached to one end.</p>	<p>Nut M8, 4 pcs</p>  <p>A hexagonal nut.</p>

4. Assembly

CraftPad Light consists of the following parts:

1. Screw M3
2. Washer
3. Decorative nut M8
4. Top plate (stainless steel)
5. Pin M8
6. Washer M8
7. Nut M8
8. Bracket (stainless steel)
9. Manifold
10. Screw M3
11. Bracket

Insulation tape is not shown

