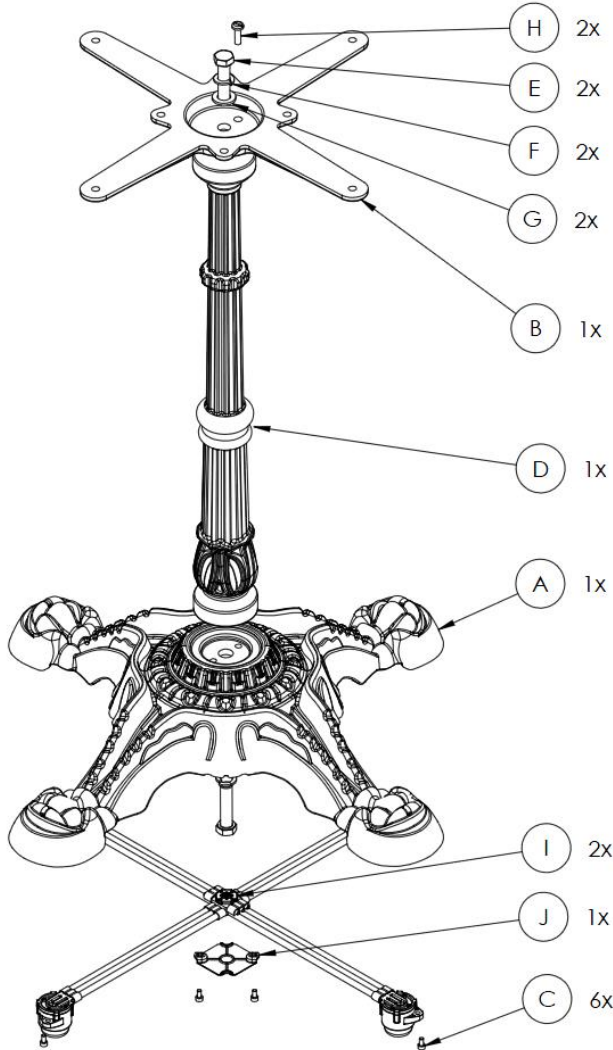
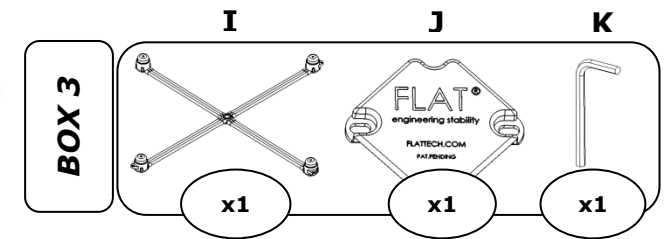
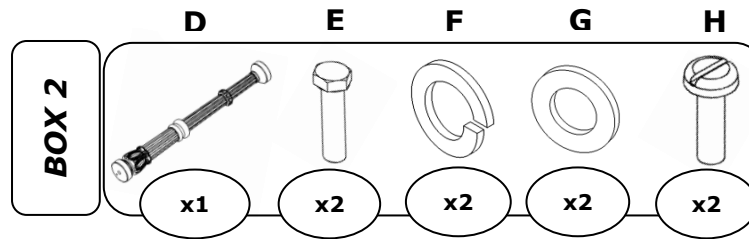
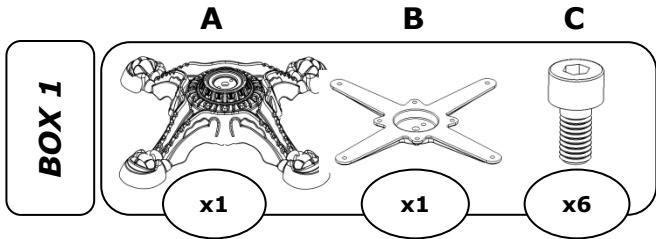
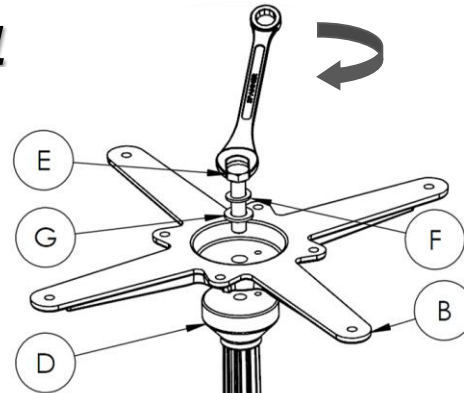


ASSEMBLY INSTRUCTIONS AUTO-ADJUST PX SERIES

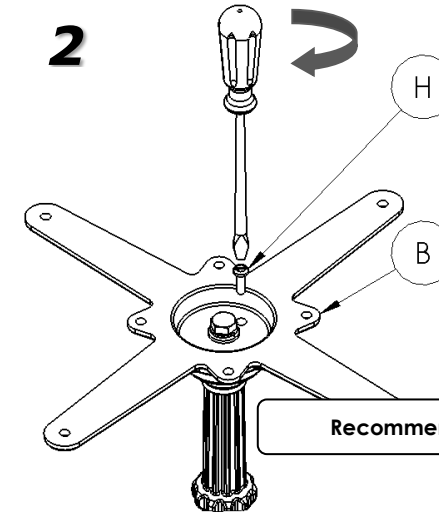


1



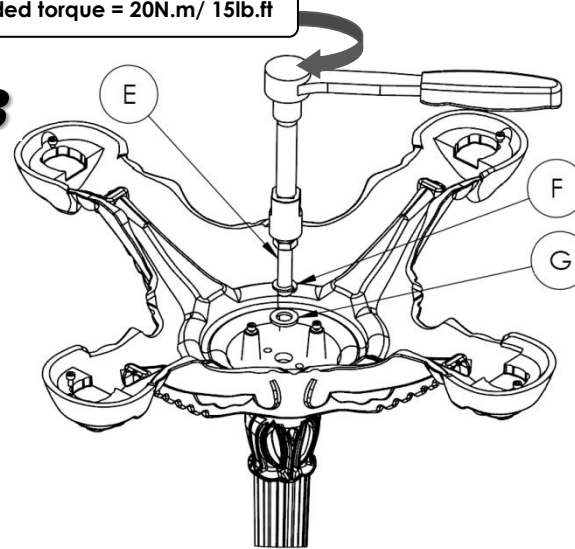
Recommended torque = 20N.m/ 15lb.ft

2

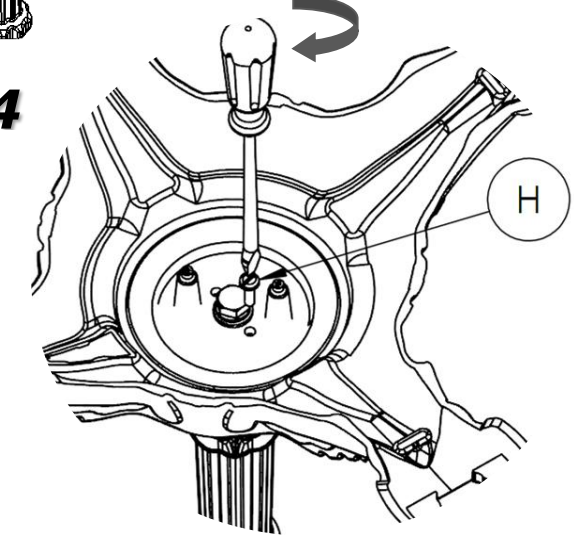


Recommended torque = 6N.m/ 4lb.ft

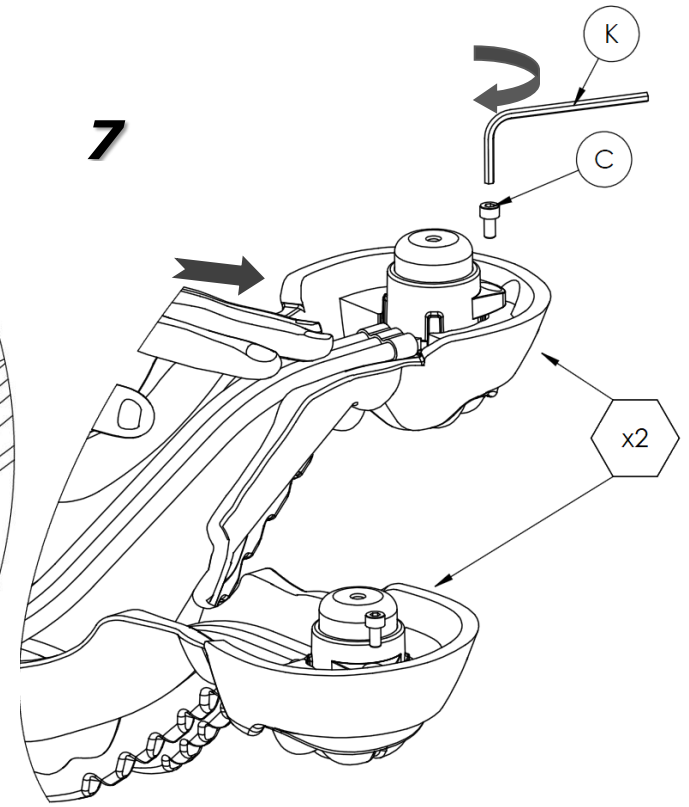
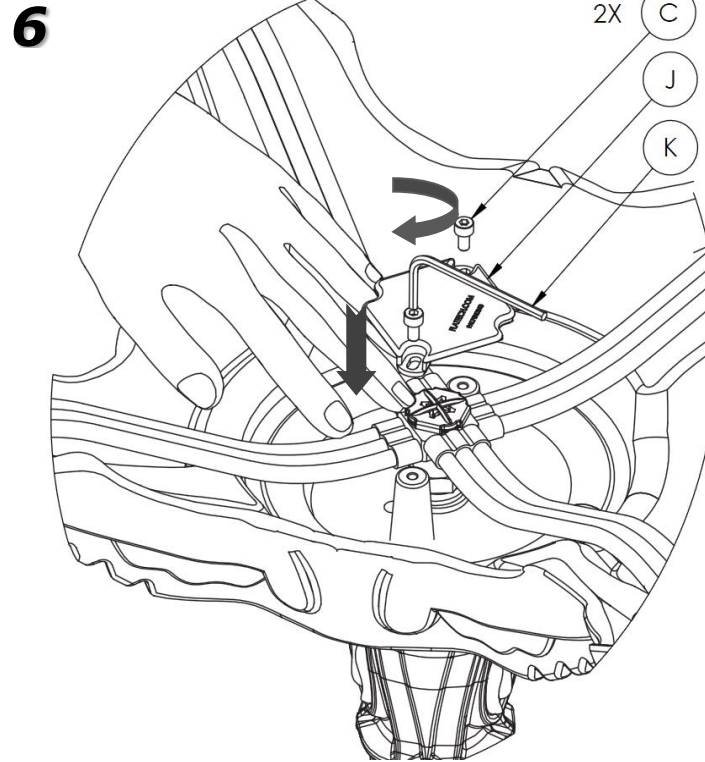
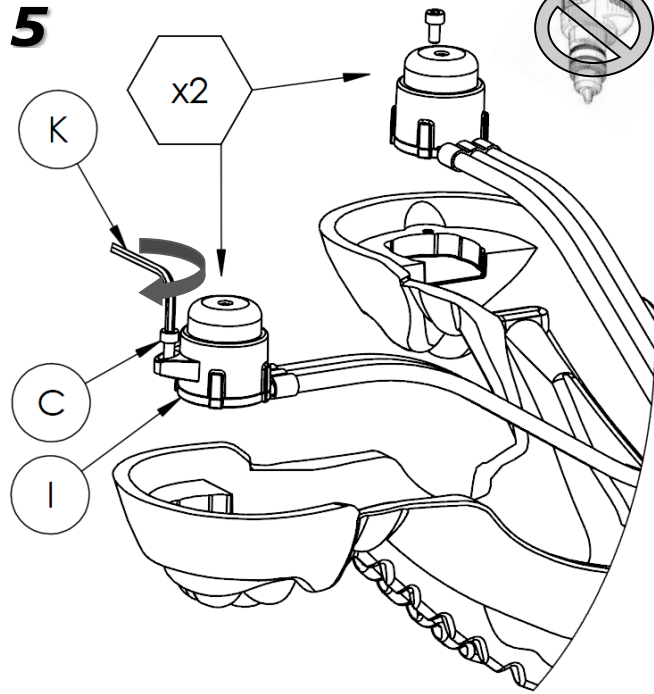
3



4



ASSEMBLY INSTRUCTIONS AUTO-ADJUST PX SERIES



Screw Recommended torque = 2N.m/ 1,5lb.ft

