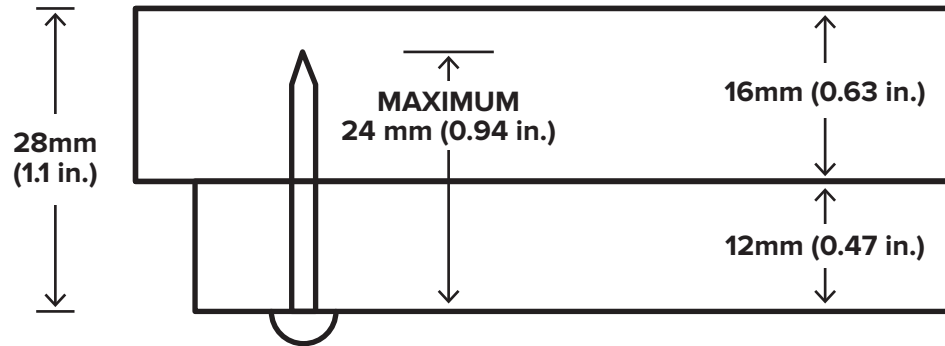




EXCALIBUR

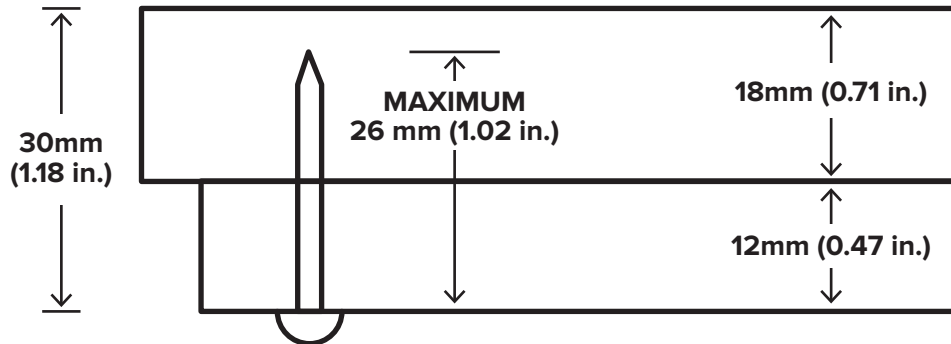
TABLETOPS

MAX SCREW LENGTHS



TABLETOP (SMOOTH)

MOUNTING PLATE (ATTACHED)



TABLETOP (TEXTURED)

MOUNTING PLATE (ATTACHED)

A minimum screw length of 1/2" should be used, but a screw length of 3/4" is recommended for installation.