



## Electric Griddles



**Models:** EG16N, EG24N, EG30N, EG36N

03/2021

***Please read and keep these instructions. Indoor use only.***

## Specifications

All units come with a 6 ft. commercial cord except EG36N which must be hard wired

Model	Voltage	Power	Dimensions (LxWxH)	Temp. Range	Net Wt.	Shipping Wt.	Plug Type
EG16N	120V AC	1750W	16" x 19.75" x 9.5"	120°F - 570°F	52 lbs.	62 lbs.	NEMA 5-15P
EG24N	208V/240V	2675/3560W	24" x 19.75" x 9.5"	120°F - 570°F	80 lbs.	90 lbs.	NEMA 6-20P
EG30N	208V/240V	3375/4500W	30" x 19.75" x 9.5"	120°F - 570°F	87 lbs.	110 lbs.	NEMA 6-20P
EG36N	208/240V	7488/10080W	36" x 19.75" x 9.5"	120°F - 570°F	201 lbs.	218 lbs.	WIRING

## Safety

1. Ensure that the power supply you are using is adequate for continual griddle use and the voltage is correct.
2. Allow at least 8" of clearance around all sides.
3. Unplug the unit when not in use and before cleaning.
4. Do not immerse unit, cord or plug in liquid at any time.
5. Do not operate unattended.
6. Do not use this unit for anything other than its intended use.
7. Do not use outdoors.
8. Always use on a firm, dry and level surface.
9. Do not use if unit has a damaged cord or plug, in the event the appliance malfunctions, or has been damaged in any manner.
10. Any incorrect installation, alterations, adjustments and/or improper maintenance can lead to property loss and injury. All repairs should be done by authorized professionals.

## Instructions for First Time Use

**There is a thin layer of wax paper on top of the grill plate that must be removed prior to using the griddle.**

In order to protect the plates of your new grill during transportation, a layer of food-safe oil was coated on the surface prior to shipment. This oil is harmless, but must be removed before you begin to use. To remove, preheat the grill until the oil liquifies. Next, carefully wipe away the melted oil with a clean, soft cloth and rinse with a mixture of 1/4 cup vinegar to 1 qt. water. To season, spread unsalted solid shortening or liquid frying compound evenly over the entire griddle surface. Turn all griddle burners to medium and wait until the shortening begins to smoke, then turn the burners OFF. Rub the now melted shortening into the griddle surface with burlap, moving in the direction of the surface's polish marks and covering the entire surface. Allow the griddle to cool. When the griddle is cool after the second seasoning, wipe it with a thin film of shortening or cooking oil.

## Operation

1. Plug the power cord into the appropriate outlet. The red "Power" light will illuminate.
2. Set the desired temperature by turning the rotary temperature knob clockwise. The heating element will begin to heat up and the green "Heating" light will illuminate.

3. When the temperature reaches the desired setting, the green "Heating" light will cycle on and off with the heating element to maintain the set temperature.
4. For best results, allow the unit to preheat for 15 minutes before placing food on cooking surface.
5. Turn temperature knob to the "Off" position to turn the green "Heating" light and heating element off. You must unplug the unit for the red "Power light" to turn off.

## Transportation And Maintenance

During transportation, the machine should be handled with care.

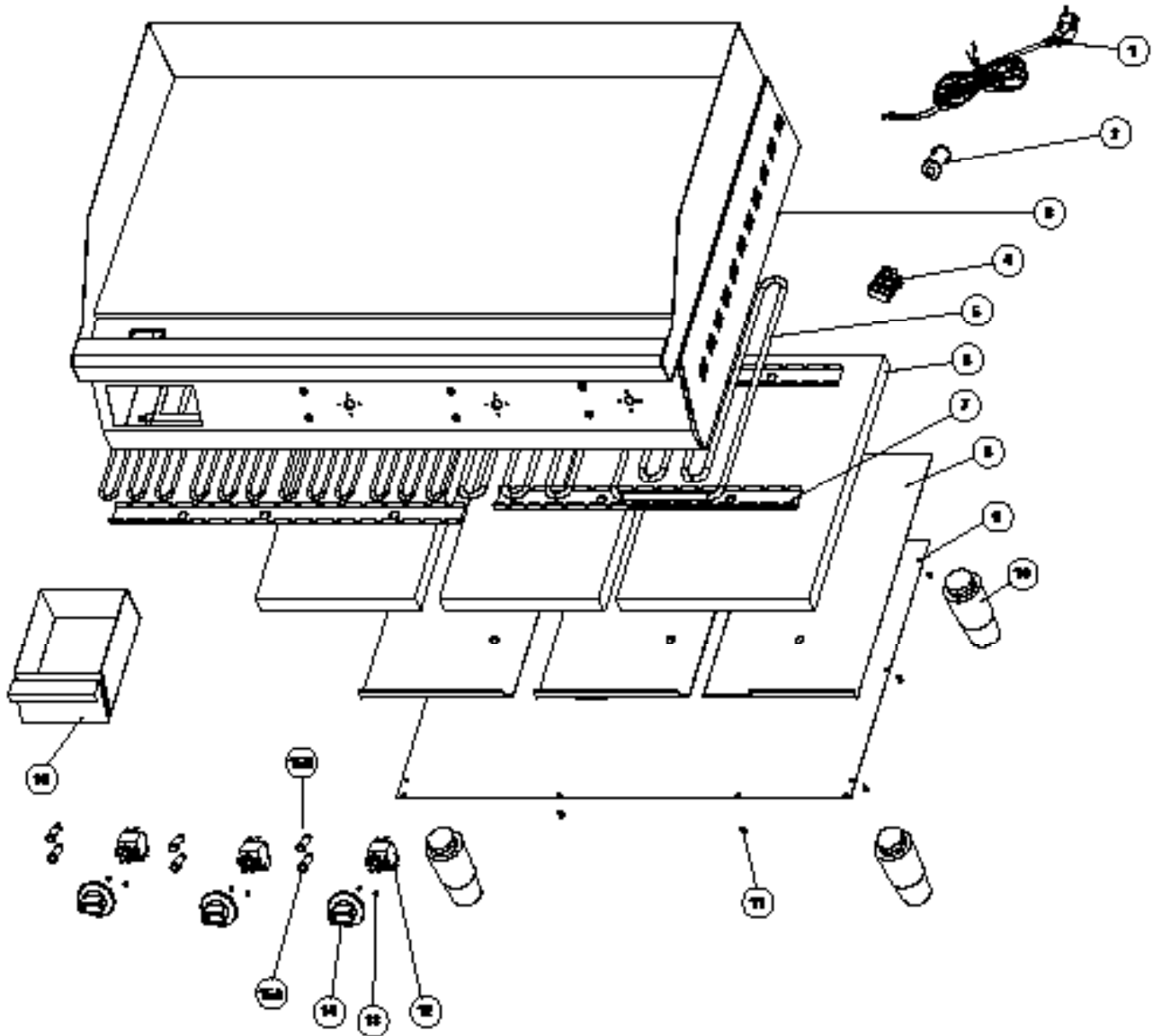
## Cleaning

Unplug the unit and allow it to cool before cleaning. Do not use abrasive cleaners or scouring pads. If soap or chemical cleaners are used, be sure they are completely rinsed away with clear water immediately after cleaning. Chemical residue could damage or corrode the surfaces of the unit.



Attack tough grease, oil, and carbon with this ready to use decarbonizer and degreaser. Its unique formula is designed to clean ovens, grills, hoods and a wide variety of other surfaces.

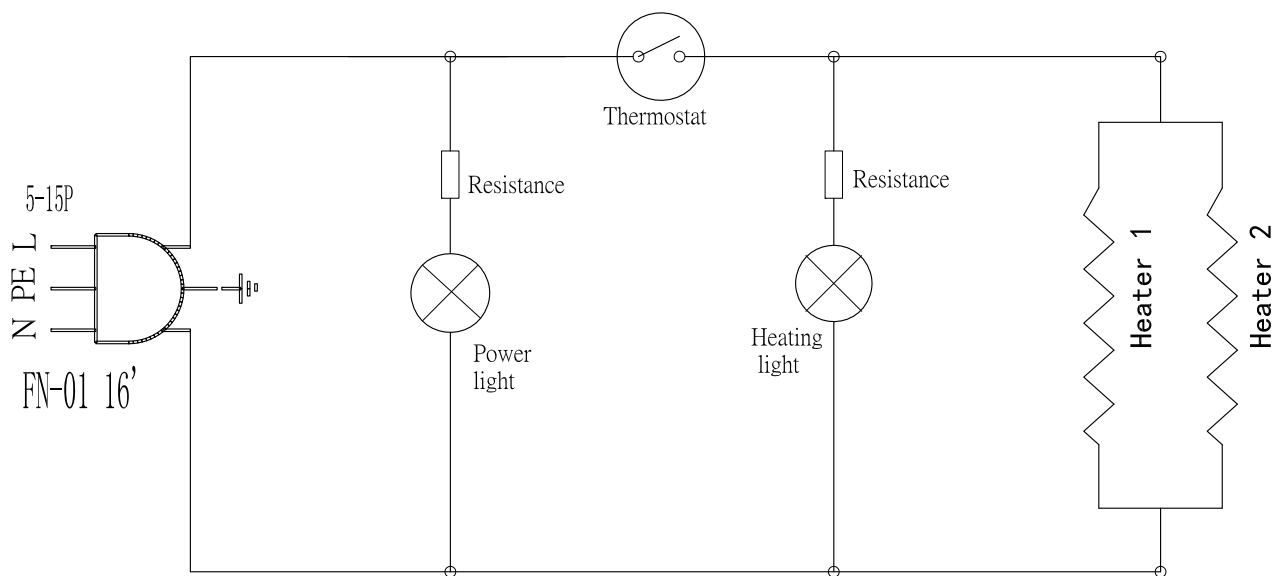
## Exploded Parts Diagram



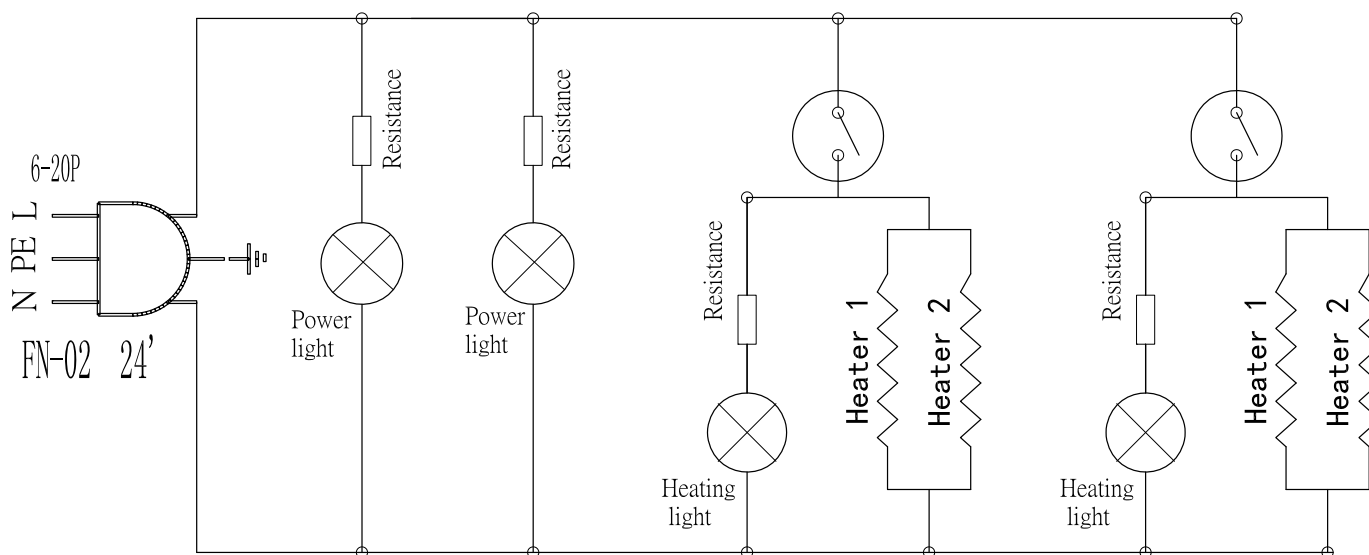
<b>Parts Key</b>		
<b>Parts Diagram #</b>	<b>Part Name</b>	<b>Replacement Part Item #</b>
1	Power Cord	177COPCORD (EG16N), 177COPCORD2 (EG24N & EG30N)
2	Power Cord Clip	
3	Body	
4	Terminal	177EGTERMNL1 (EG16N), 177EGTERMNL2 (EG24N, EG30N, EG36N)
5	Heating Element	177EGELEM16 (EG16N), 177EGELEM24 (EG24N), 177EGELEM30 (EG30N), 177EGELEM36 (EG36N)
6	Insulation	
7	Heating Element Holder	
8	Insulation Board	
9	Bottom Plate	
10	Foot	177EGLEG
11	Bottom Plate Screws	
12	Thermostat	177EGTHERM2
13	Thermostat Screws	
14	Thermostat Knob	177EGKNOB
15A	Red Power Light	177COPLIGHT
15B	Green Working Light	177COWLIGHT
16	Grease Tray	177EGTRAY

## Circuit Diagrams

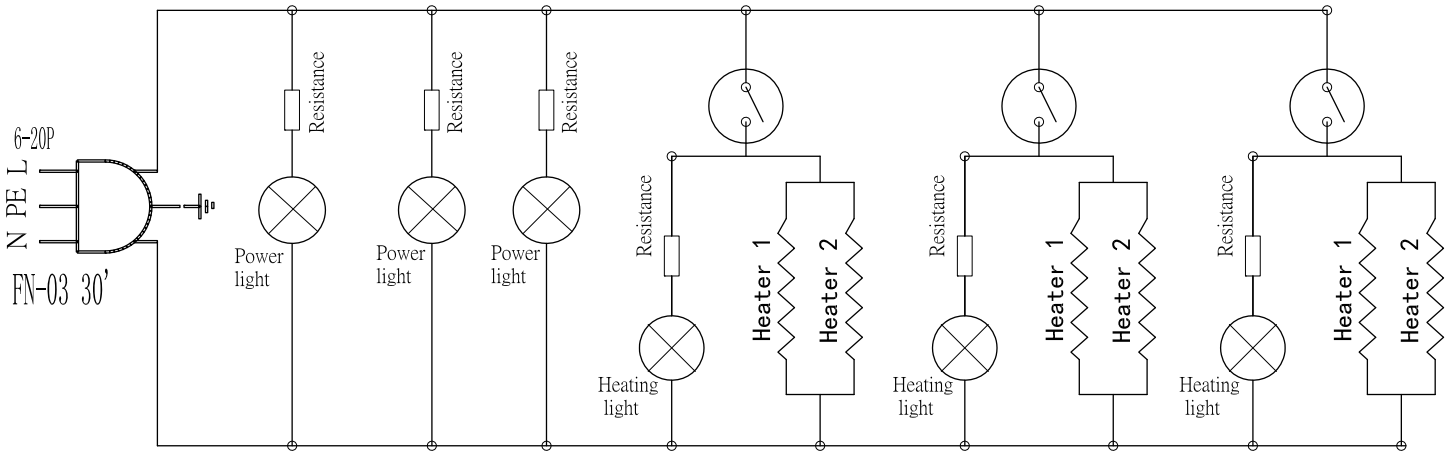
### EG16N



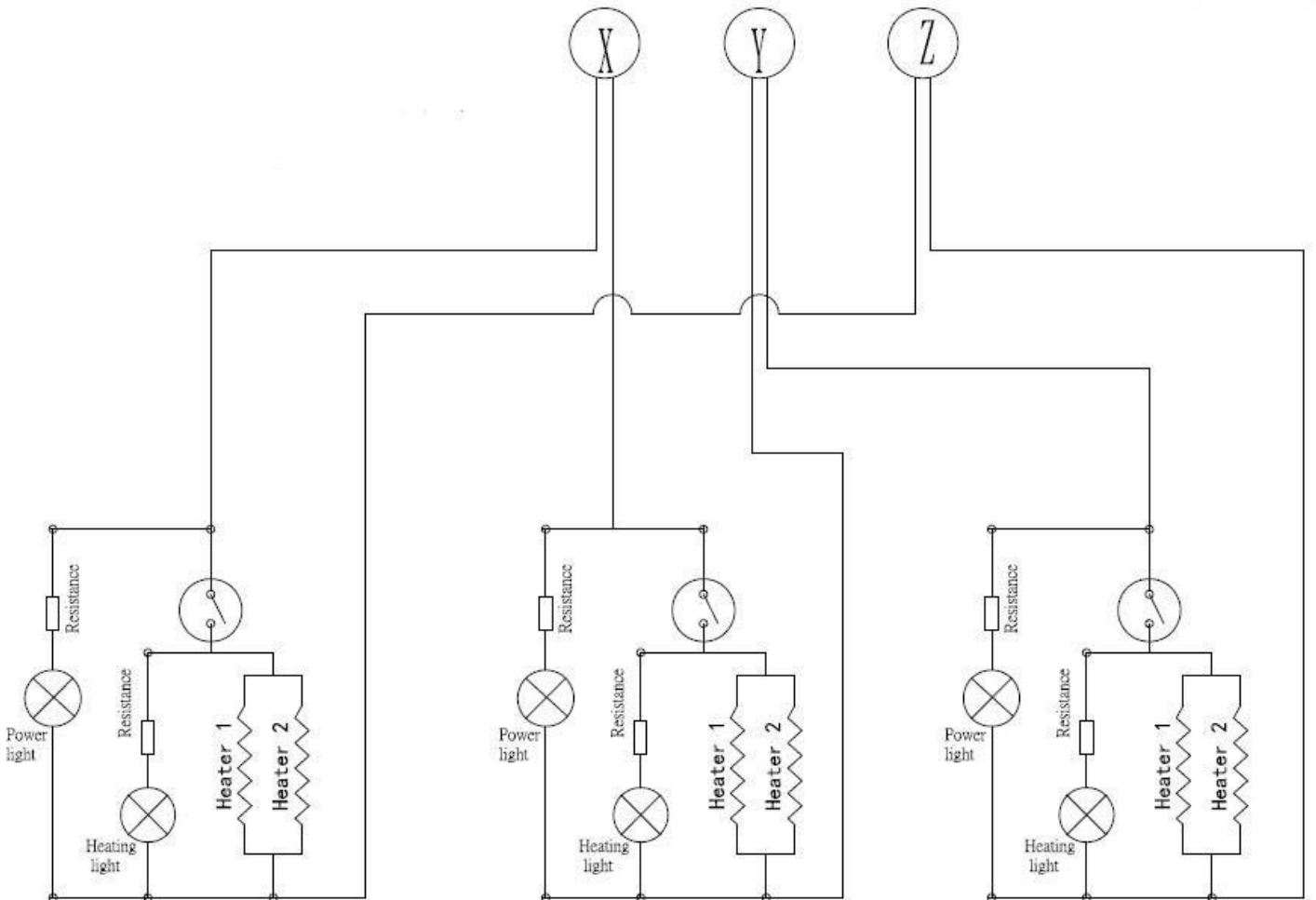
### EG24N



## EG30N



## EG36N



## Equipment Limited Warranty

Avantco warrants its equipment to be free from defects in material and workmanship for a period of 1 year. This is the sole and exclusive warranty made by Avantco covering your Avantco brand equipment. A claim under this warranty must be made within **1 year** from the **date of purchase** of the equipment. Only the equipment's original purchaser may make a claim under this warranty. Avantco reserves the right to approve or deny the repair or replacement of any part or repair request. The warranty is not transferable. Avantco Equipment installed in/on a food truck or trailer will be limited to a period of **30 days** from the original date of purchase.

### To Make a Warranty Claim:

For Warranty Inquiries contact the location where you purchased the product:

- **WebstaurantStore.com:** Contact [help@webstaurantstore.com](mailto:help@webstaurantstore.com). Please have your order number ready.
- **The Restaurant Store:** If you purchased this unit from your local store, please contact your store directly.
- **TheRestaurantStore.com:** Online purchases, call 717-392-7261. Please have your order number ready.

Failure to contact the designated location prior to obtaining equipment service may void your warranty.

Avantco makes no other warranties, express or implied, statutory or otherwise, and **HEREBY DISCLAIMS ALL IMPLIED WARRANTIES, INCLUDING THE IMPLIED WARRANTIES OF MERCHANTABILITY AND OF FITNESS FOR A PARTICULAR PURPOSE.**

### This Limited Warranty does not cover:

- Equipment sold or used outside the Continental United States
- Use of unfiltered water (if applicable)
- Avantco has the sole discretion on wearable parts not covered under warranty
- Equipment not purchased directly from an authorized dealer
- Equipment used for residential or other non-commercial purposes
- Equipment that has been altered, modified, or repaired by anyone other than an authorized service agency
- Equipment where the serial number plate has been removed or altered.
- Damage or failure due to improper installation, improper utility connection or supply, and issues resulting from improper ventilation or airflow.
- Defects and damage due to improper maintenance, wear and tear, misuse, abuse, vandalism, or Act of God.

Any action for breach of this warranty must be commenced within 1 year of the date on which the breach occurred. No modification of this warranty, or waiver of its terms, shall be effective unless approved in a writing signed by the parties. The laws of the Commonwealth of Pennsylvania shall govern this warranty and the parties' rights and duties under it. Avantco shall not under any circumstances be liable for incidental or consequential damages of any kind, including but not limited to loss of profits.