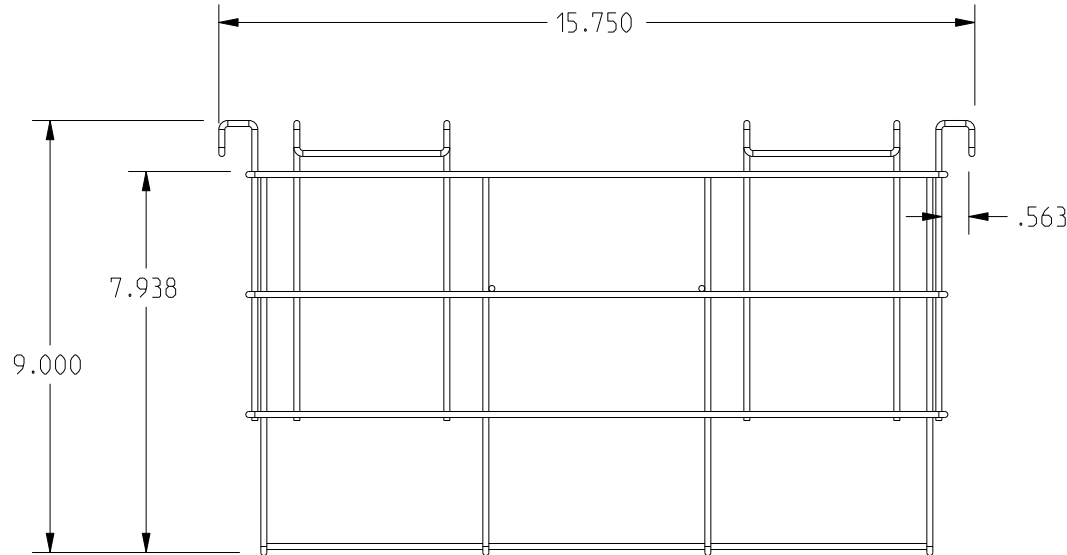
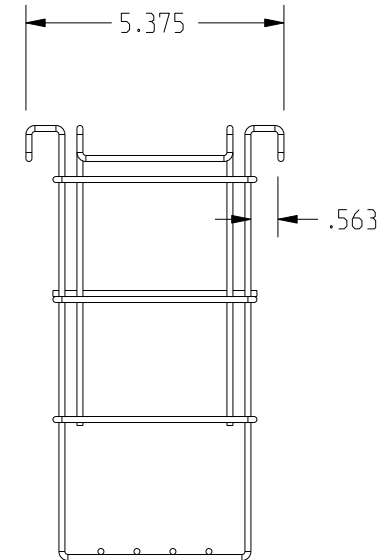



TOP VIEW

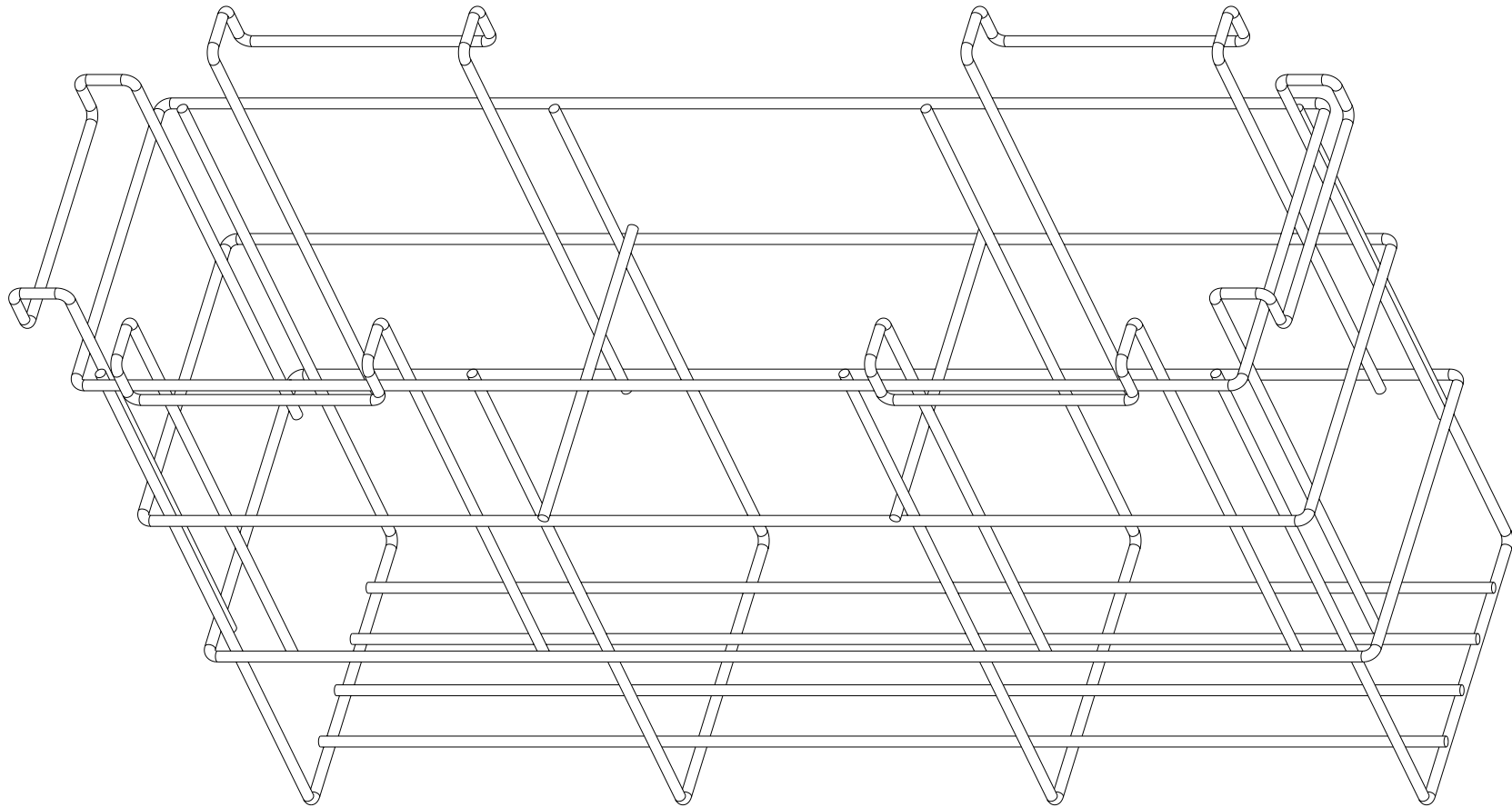


FRONT VIEW




SIDE VIEW

REV	DESCRIPTION	DATE	BY	DWN: E YOCUM	DATE: 15-Jun-12	BOTTLE HOLDER
				MATL: PLATED STEEL		3 SECTION
				BLANK SIZE		DWG: 319141
				SCALE= 0.250		SHEET 1 OF 2
				DO NOT SCALE DRAWING		



3D VIEW

REV	DESCRIPTION	DATE	BY	DWN: E YOCUM	DATE: 15-Jun-12	BOTTLE HOLDER 3 SECTION
				MATL: PLATED STEEL		DWG: 319141
				BLANK SIZE		SHEET 2 OF 2
				SCALE= 0.500		
				DO NOT SCALE DRAWING		