

The EAGLE Advantage<sup>®</sup> for

# Sinks



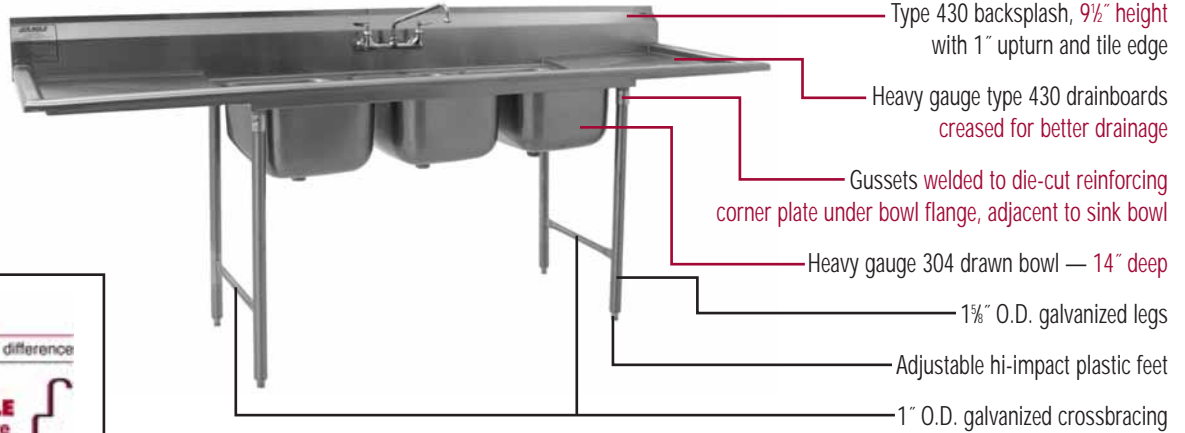
# Compare other sinks to EAGLE GROUP's.



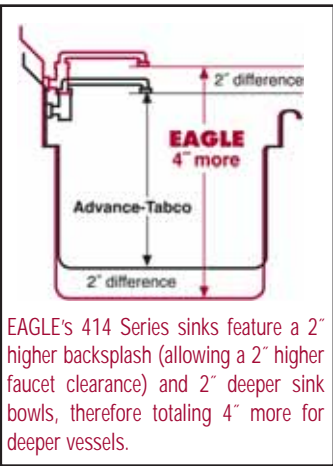
Information in **color** indicates *EAGLE advantages*  
— Quality, Value, Reliability.

## EAGLE's 414 Series Sinks...

**EAGLE sinks feature higher backsplash & deeper sink bowls**



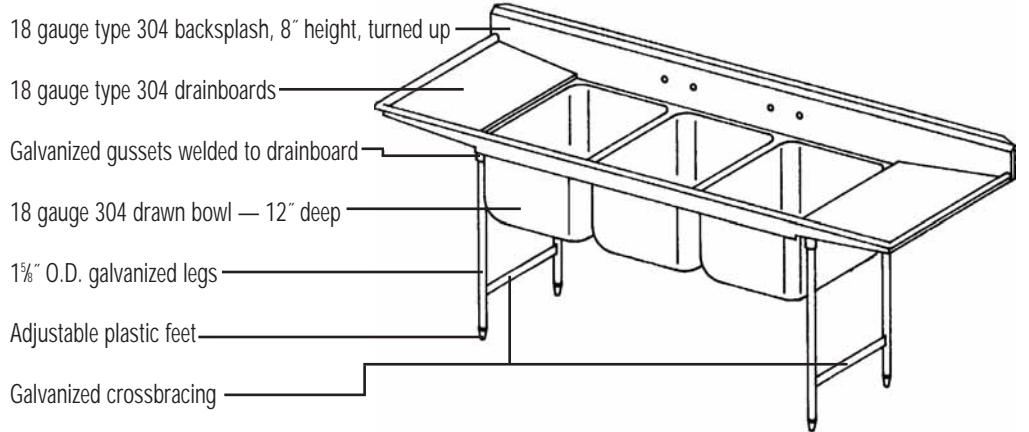
Note: Faucet shown with sink pictured above not included



EAGLE's 414 Series sinks feature a 2" higher backsplash (allowing a 2" higher faucet clearance) and 2" deeper sink bowls, therefore totaling 4" more for deeper vessels.

**Advance-Tabco's sink bowls are only 12" deep!**

## ...compared to Advance-Tabco's T9 Series



## Compare side-by-side

	EAGLE 414 Series	Advance-Tabco's T9 Series
Sink bowls	14" deep, 17" flood level, type 304 stainless steel, five sizes available	12" deep, 304 series stainless steel, five sizes available
Backsplash	9 1/2" high, type 430 stainless steel, with 1" upturn and tile edge for easy installation and feathering to wall/splash surface	8" high, type 304 stainless steel, with upturn and tile edge
Drainboards	Creased for maximum drainage, type 430 stainless steel, available in 18", 24", 30", and 36" lengths	Not creased, type 304 stainless steel, available in 18", 24", and 36" lengths
Crossbracing	1" diameter front-to-back, galvanized	Front-to-back, galvanized
Legs	1 1/2" diameter, galvanized (stainless steel legs available)	1 1/2" diameter, galvanized
Gussets	12 gauge, zinc-plated, welded to a die-cut heavy gauge reinforcing plate	Galvanized, welded to a die-embossed reinforcing channel
Feet	High-impact adjustable plastic feet	Adjustable plastic feet
Additional	Higher faucet clearance	Less faucet clearance



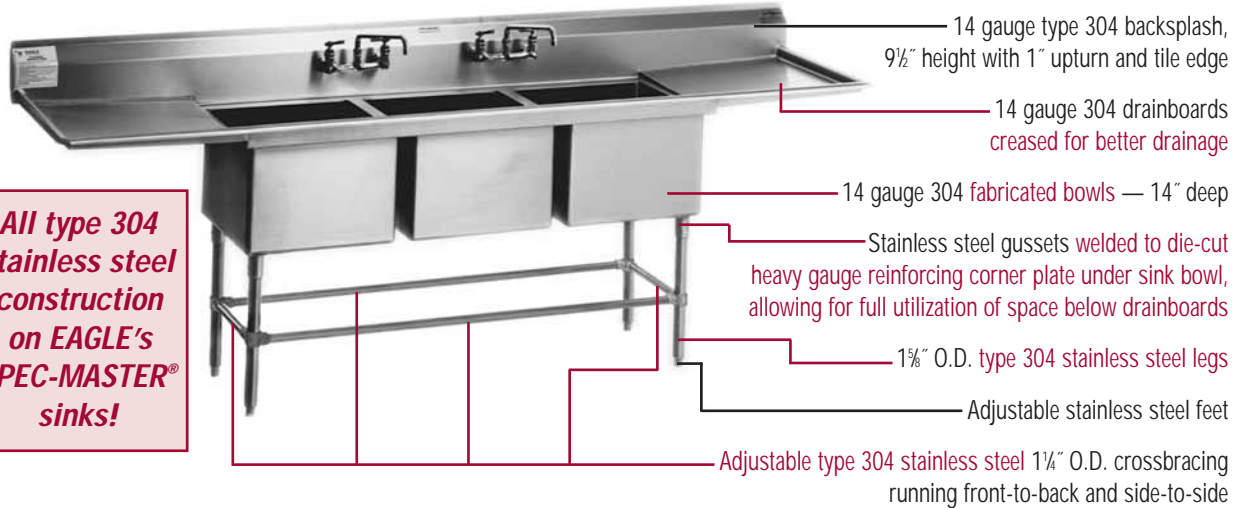
# Compare other sinks to EAGLE GROUP's.



Information in **color** indicates *EAGLE advantages* — Quality, Value, Reliability.

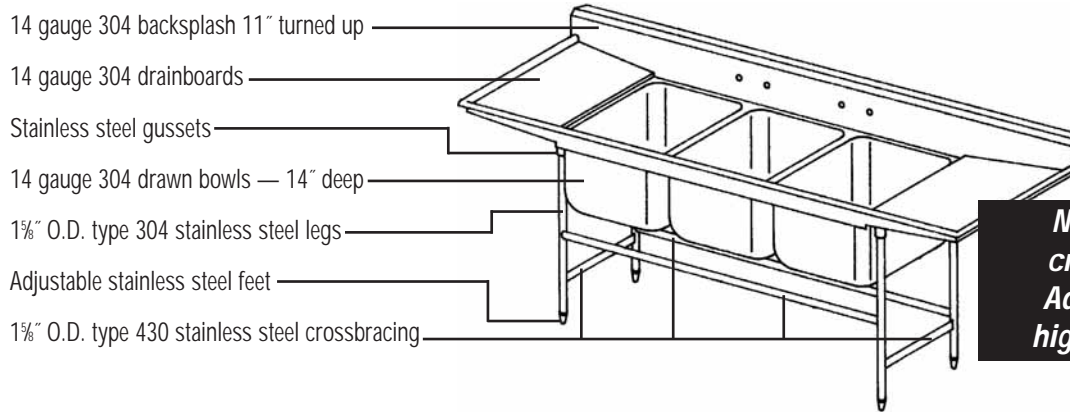
## EAGLE's SPEC-MASTER® Series Sinks...

**All type 304 stainless steel construction on EAGLE's SPEC-MASTER® sinks!**



Note: Faucets shown with sink pictured above not included

## ...compared to Advance-Tabco's 940 Series



**NON-adjustable crossbracing on Advance-Tabco's high-priced sinks!**

## Compare side-by-side

	EAGLE SPEC-MASTER® Series	Advance-Tabco's 940 Series
Sink bowls	14" deep, 17" flood level, 14 gauge type 304 stainless steel, fabricated, five sizes available	14" deep, 14 gauge type 304 stainless steel, five sizes available
Backsplash	9 1/2" high, 14 gauge type 304 stainless steel, with 1" upturn and tile edge for easy installation and feathering to wall/splash surface	11" high, 14 gauge type 304 stainless steel
Drainboards	Creased for maximum drainage, type 304 stainless steel, available in 18", 24", 30", and 36" lengths	Not creased, type 304 stainless steel, available in 18", 24", and 36" lengths
Crossbracing	Adjustable, type 304 stainless steel, 1 1/4" diameter, front-to-back and side-to-side	Type 430 stainless steel
Legs	1 1/2" diameter, type 304 stainless steel	1 1/2" diameter, type 304 stainless steel
Gussets	12 gauge stainless steel, welded to a die-cut heavy gauge reinforcing corner plate welded directly under bowls for maximum strength and stability	Stainless steel, welded to a die-embossed reinforcing channel
Feet	Adjustable stainless steel feet	Adjustable stainless steel feet



## Sink Accessories

For more information on sinks and accessories, consult our Price List or check out our web site at [www.eaglegrp.com](http://www.eaglegrp.com).

### Faucets

- Standard
- T&S Heavy Duty
- With wrist handles
- 8" to 19" spout



### Prerinse Units

- Standard
- T&S Heavy Duty



### Sink Covers

- Polyboard
- Stainless steel



### Drains

- With 1.5" or 2" IPS connection
- With or without overflow
- Twist handle drain available.



### Also available:

Sink kits • Leg components • Plumbing components

The **EAGLE Advantage** can be summed up in two concise points: Price/value leadership and value-added service. EAGLE is committed to providing you the highest quality products while maintaining the cost competitiveness necessary in today's market.

## EAGLE Hand Sinks

Electronic with MICROGARD®, Waste Receptacle, and Nail Brush Holder



Electronic with MICROGARD® and Nail Brush Holder



Valve-Operated



NEW SINGLE VALVE!!

Space Savers



Electronic



with End Splashes



MICROGARD® antimicrobial protection available on additional sinks. Call Customer Service for details.

Quality

Value

Reliability

# Profit from the EAGLE Advantage®

Corporate Headquarters • 100 Industrial Boulevard  
Clayton, DE 19938-8903  
• Phone: (302) 653-3000

Foodservice/ SpecFAB® Divisions • Phone: (800) 441-8440  
• Fax: (302) 653-2065

Material Handling Division • Phone: (800) 637-5100  
• Fax: (302) 653-2065

[www.eaglegrp.com](http://www.eaglegrp.com)



**EAGLE GROUP**  
Profit from the Eagle Advantage®

© 2009 EAGLE GROUP. SPEC-MASTER® and MICROGARD® are registered trademarks of EAGLE GROUP. Although every attempt has been made to ensure the accuracy of the data in this publication, we cannot be responsible for printing or typographical errors or omissions. Due to an ongoing product improvement program, specifications, dimensions and prices are subject to change without notice.

EG6301 Rev 05/09