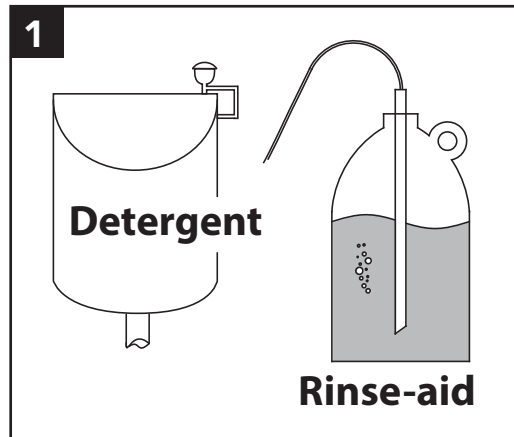
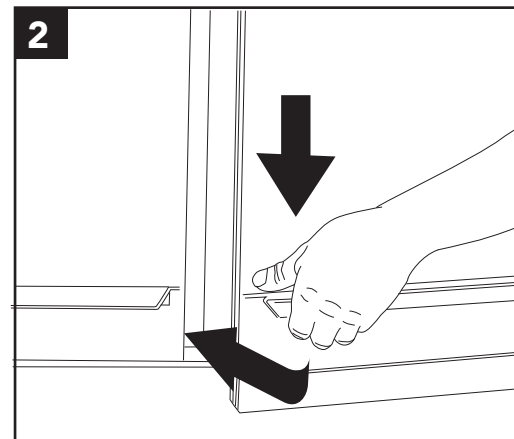


E-Rack Conveyor Dishwasher

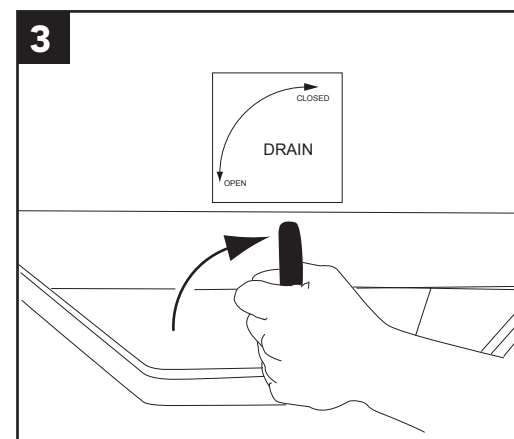
OPERATION



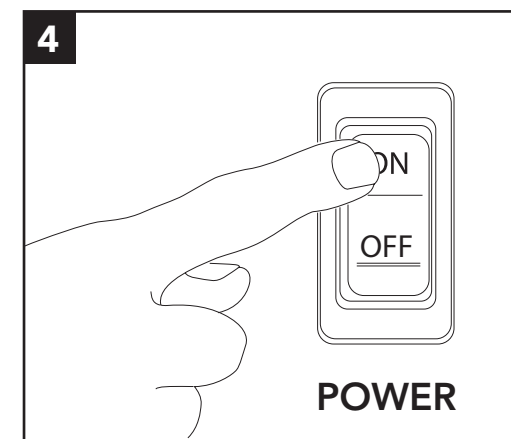
Check the chemical containers and refill as necessary.



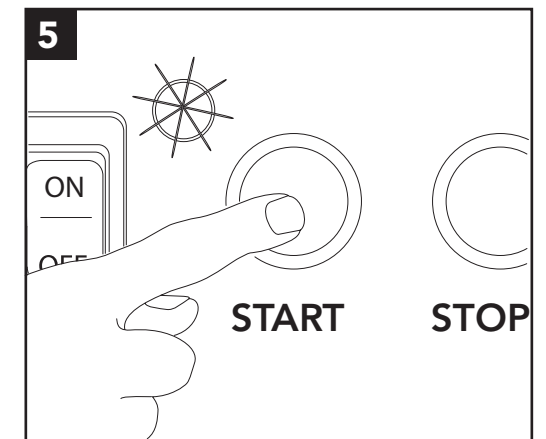
Close the doors.



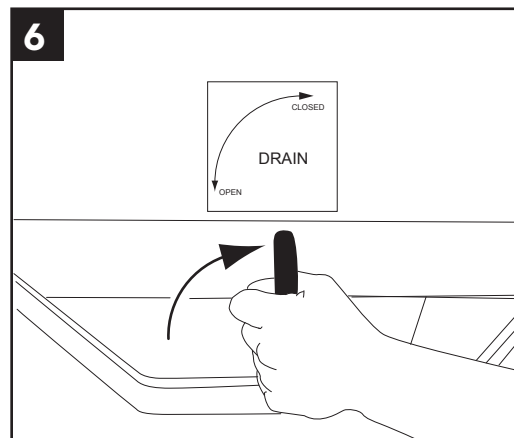
Turn drain handle clockwise to close the drains.



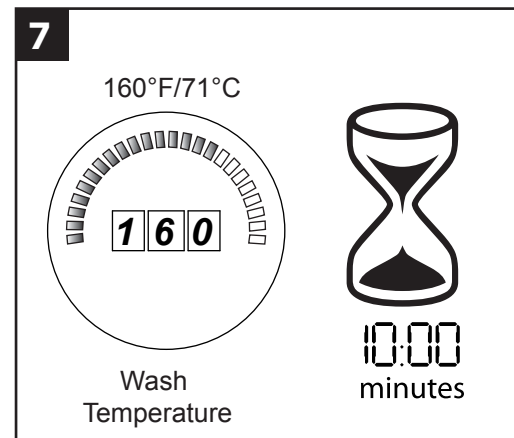
Flip power switch UP to the ON position.



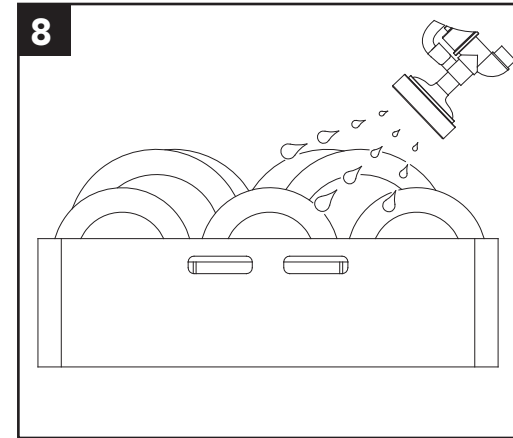
Push START switch. The green light illuminates. The machine fills with water and the tank heat comes on.



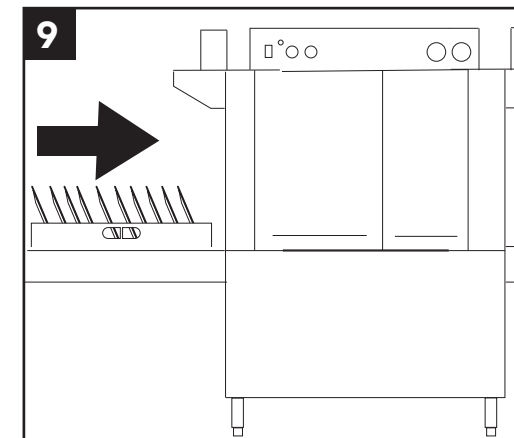
If the drain is open or the fill runs for more 10 minutes then the dishwasher shuts down & the green light blinks on and off. Close the drain or check the fill, then push the power switch off and back on to reset. Push the Start switch to restart operation.



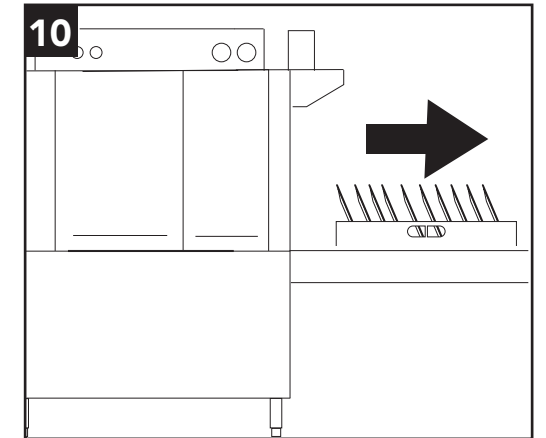
Wait 10 minutes for the wash gauge to indicate 160°F/71°C.



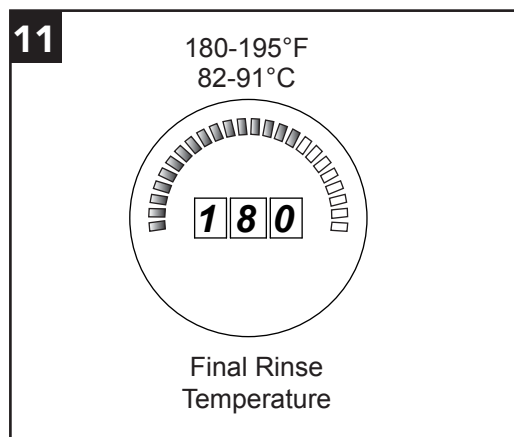
Prescrap & load wares into dish racks. Plates and glasses go in peg rack, cups and bowls go in a flat rack. Place silverware in a single layer in flat rack.



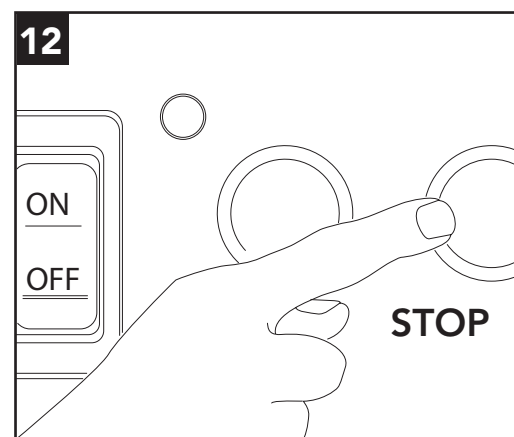
Insert a dish rack of wares into the dishwasher. The pumps and conveyor will run.



The dishwasher pumps and drive runs 90 seconds after the rack enters the machine. Loading additional racks before the first rack exits the machine resets the timer.



Check the final rinse temperature during the final rinse cycle to ensure the gauge indicates 180-195°F/82-91°C.



Push the STOP switch to stop the pumps and the drive. The green light goes out. Push the START switch and insert a dish rack to restart operation.

Opening Doors:

Opening a door will stop the pumps and drive. If the door is closed within 5 minutes, the machine will resume operation where it left off. After 5 minutes, any dish racks in the machine must be removed, the START button pressed, and a dish rack inserted into the machine to resume normal operation.

Jammed Conveyor or Tripped Table Limit Switch:

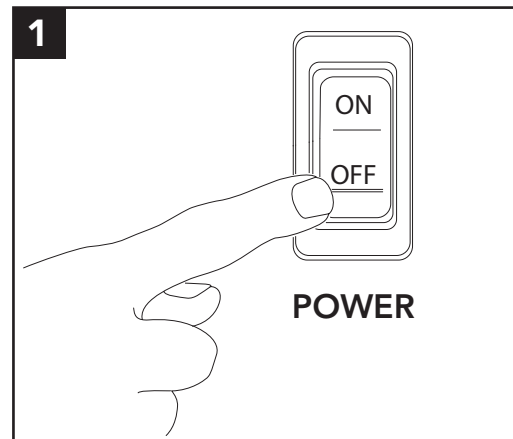
In the event of a conveyor jam or a tripped table limit switch, the dishwasher pumps and drive will stop. For a conveyor jam, the operator must check the conveyor for articles stuck in the tracks or drive and remove them. Any dish racks in the machine must be removed from the machine. The START button must be pressed and a dish rack inserted into the machine to resume operation.

In the case of a tripped table limit switch, the operator must remove any dish racks from the clean-end table to clear the switch. The machine will resume normal operation if the switch is cleared within 5 minutes. After 5 minutes, any dish racks in the machine must be removed, the START button pressed, and a dish rack inserted into the machine to resume normal operation.

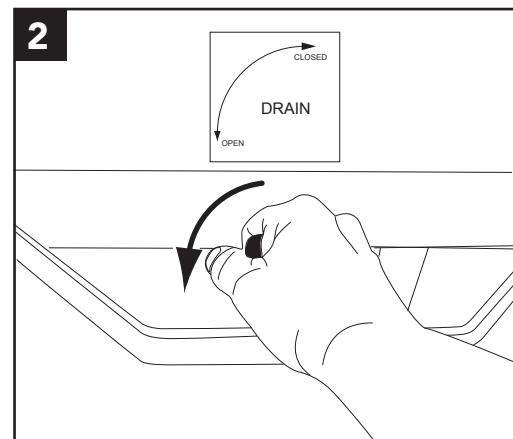
E-Rack Conveyor Dishwasher

CLEANING

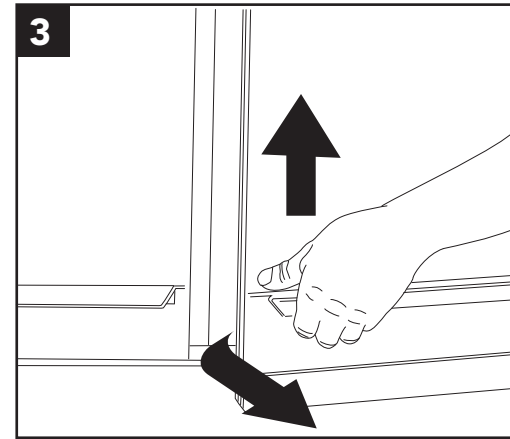
Every 2 hours and at the end of the day



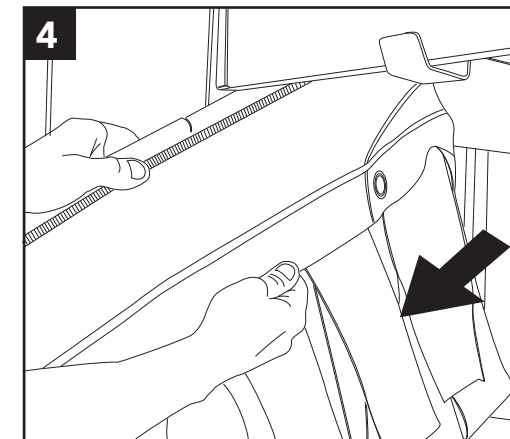
1 Flip power switch down to the OFF position.



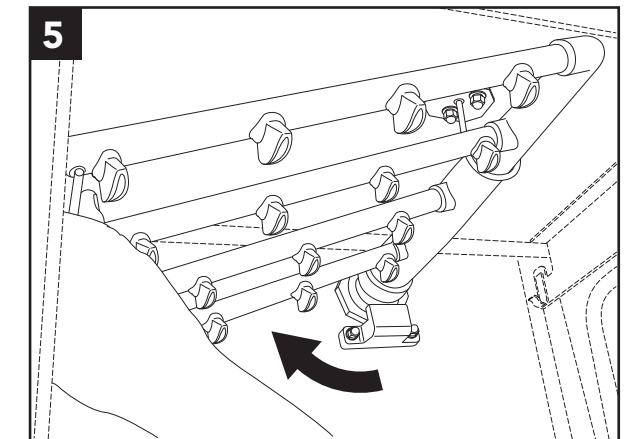
2 Turn drain handle counter-clockwise to the vertical position to drain the tanks.



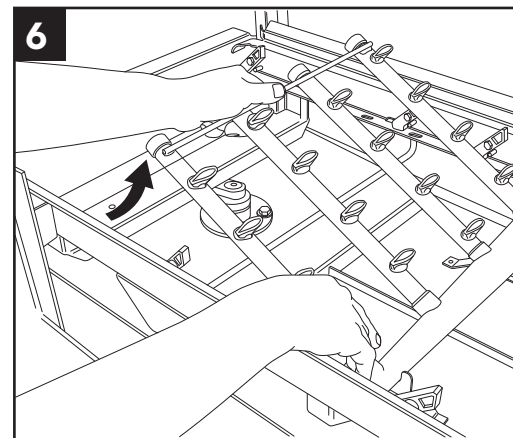
3 Open doors.



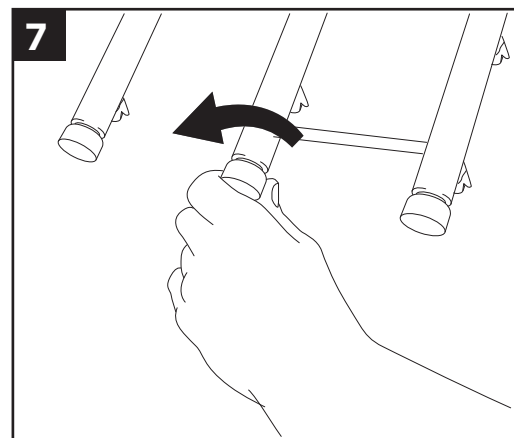
4 Remove curtain assemblies and rinse clean in a sink.



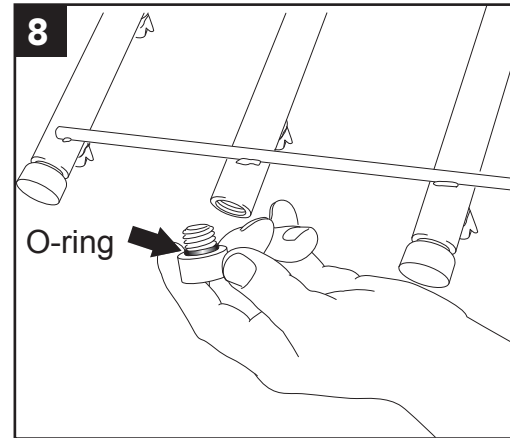
5 Remove the upper wash arm assemblies and flush clean in a sink.



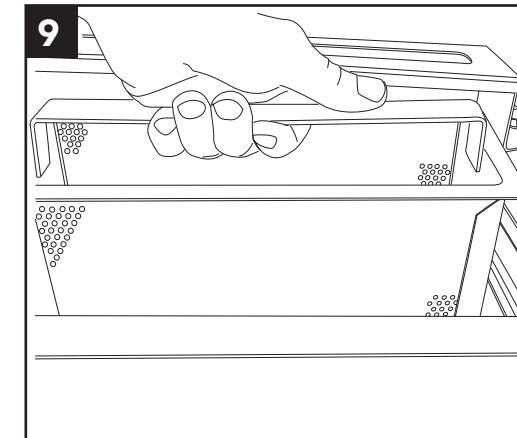
6 Remove lower wash arm assemblies and flush clean in a sink.



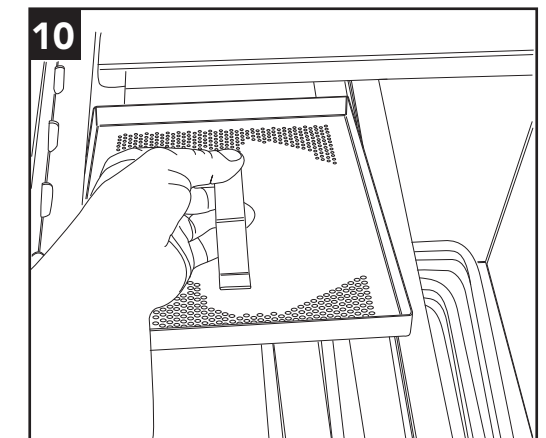
7 Remove the end plugs on each wash arm and flush the pipes clean.



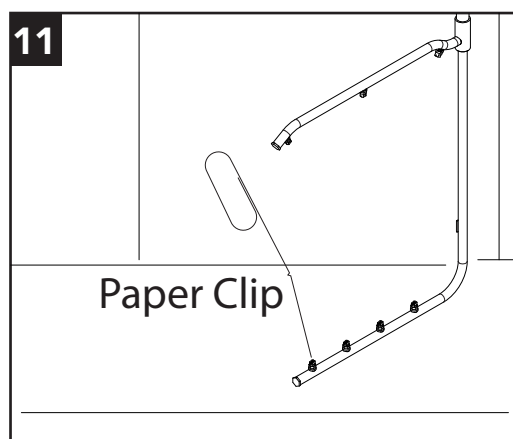
8 Check the o-ring on each plug and replace if necessary.



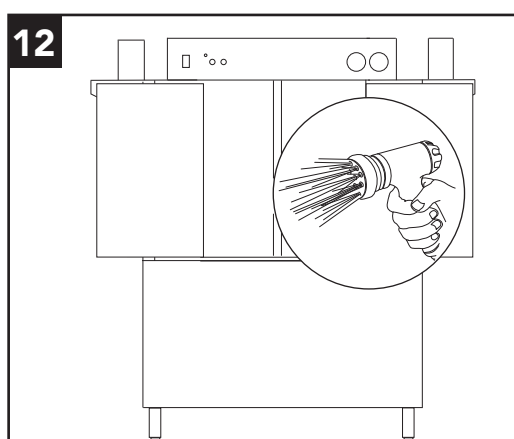
9 Remove the refuse basket and back-flush in a sink. Do not strike the basket on hard surfaces.



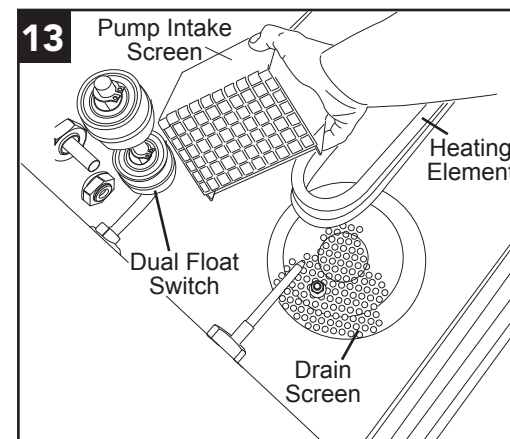
10 Remove the scrap screens and back-flush in a sink. Do not strike the screens on hard surfaces.



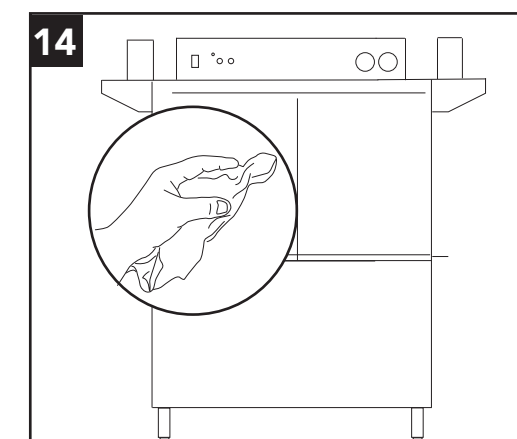
11 Check the final rinse nozzles and clean with a small paper clip as required.



12 Thoroughly spray the interior of the machine with fresh clean water.



13 Remove the pump intake screen and flush clean in a sink. Check and clean the dual float switch, heating element and drain screen.



14 Wipe the exterior of the machine with mild detergent and soft cloth. DO NOT HOSE DOWN WITH WATER.

Clean the machine after each meal period or every 2 hours of operation whichever occurs first and at the end of the day.

Leave doors open to help the machine interior dry overnight.