

# Locking Speed Rail Cover

## ASSEMBLY INSTRUCTIONS

### CAUTION

INSPECT CONTENTS IMMEDIATELY AND FILE CLAIM WITH DELIVERING CARRIER FOR ANY DAMAGE.

**SAVE YOUR BOX AND ALL PACKING MATERIALS.**

YOU ARE RESPONSIBLE FOR DAMAGE TO YOUR UNIT IF RETURNED IMPROPERLY PACKED.

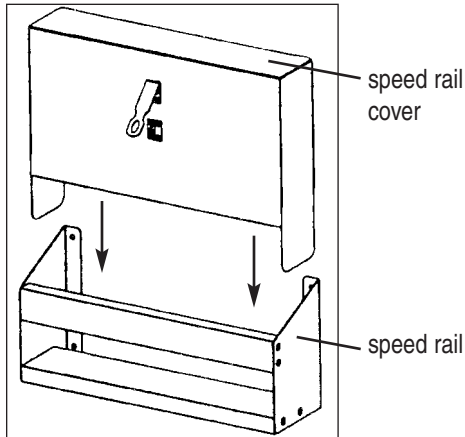


figure 1

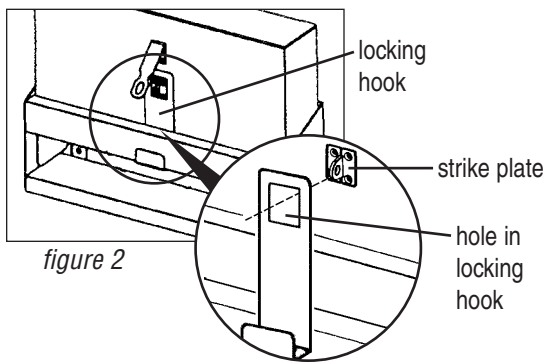


figure 2

figure 2a

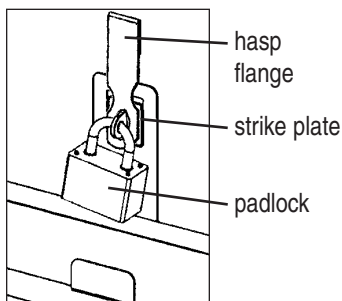


figure 3

### Parts List

<i>description</i>	<i>part #</i>
locking hook	324740
padlock	324741

### 1 Cover

Place speed rail cover down into the speed rail as shown in *figure 1*. Parts should fit into each other smoothly with some clearance.

### 2 Locking Hook

Take the locking hook and place it as shown in *figure 2*, aligning the hole in the locking hook with the strike plate as shown in *figure 2a*.

### 3 Padlock

Once the locking hook and speed rail cover are in place, pull the hasp flange down over the strike plate. Once the parts are aligned, slip the padlock thru the hole in the strike plate, and lock as shown in *figure 3*.

Note: Single speed rail shown. For double speed rails, repeat Steps 1 through 3.