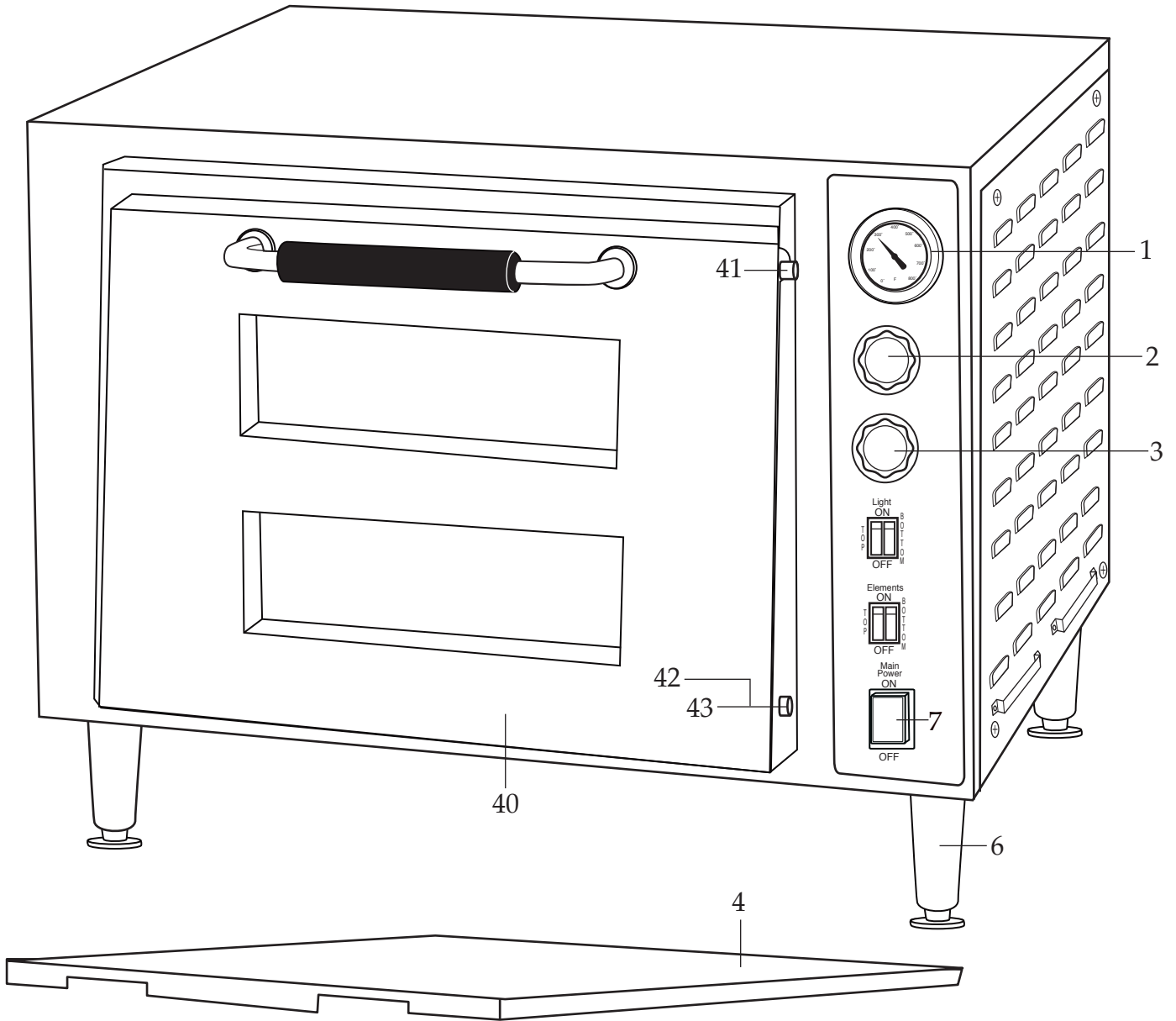


Unit Information

240 Volts – 60 Hz – 3200 Watts
Two 18" x 18" cavity with ceramic pizza stone
Outside Dimensions H=21" x W=27" x D=28"
30-Minute Manual Countdown Timer

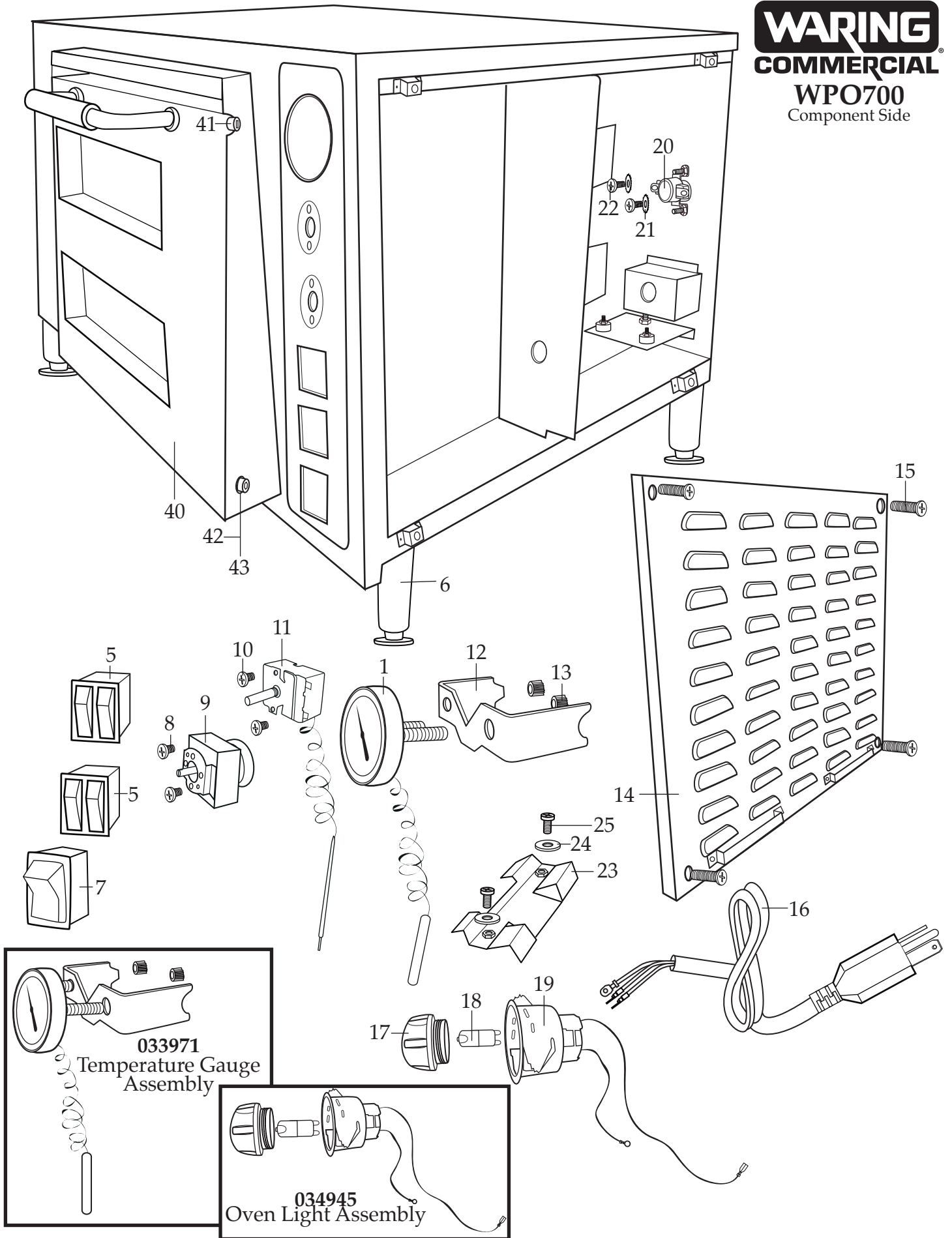
WARING COMMERCIAL®

Double Deck Single Compartment Pizza Oven WPO700



032000
Cleaning Brush

WARING
COMMERCIAL
WPO700
 Component Side



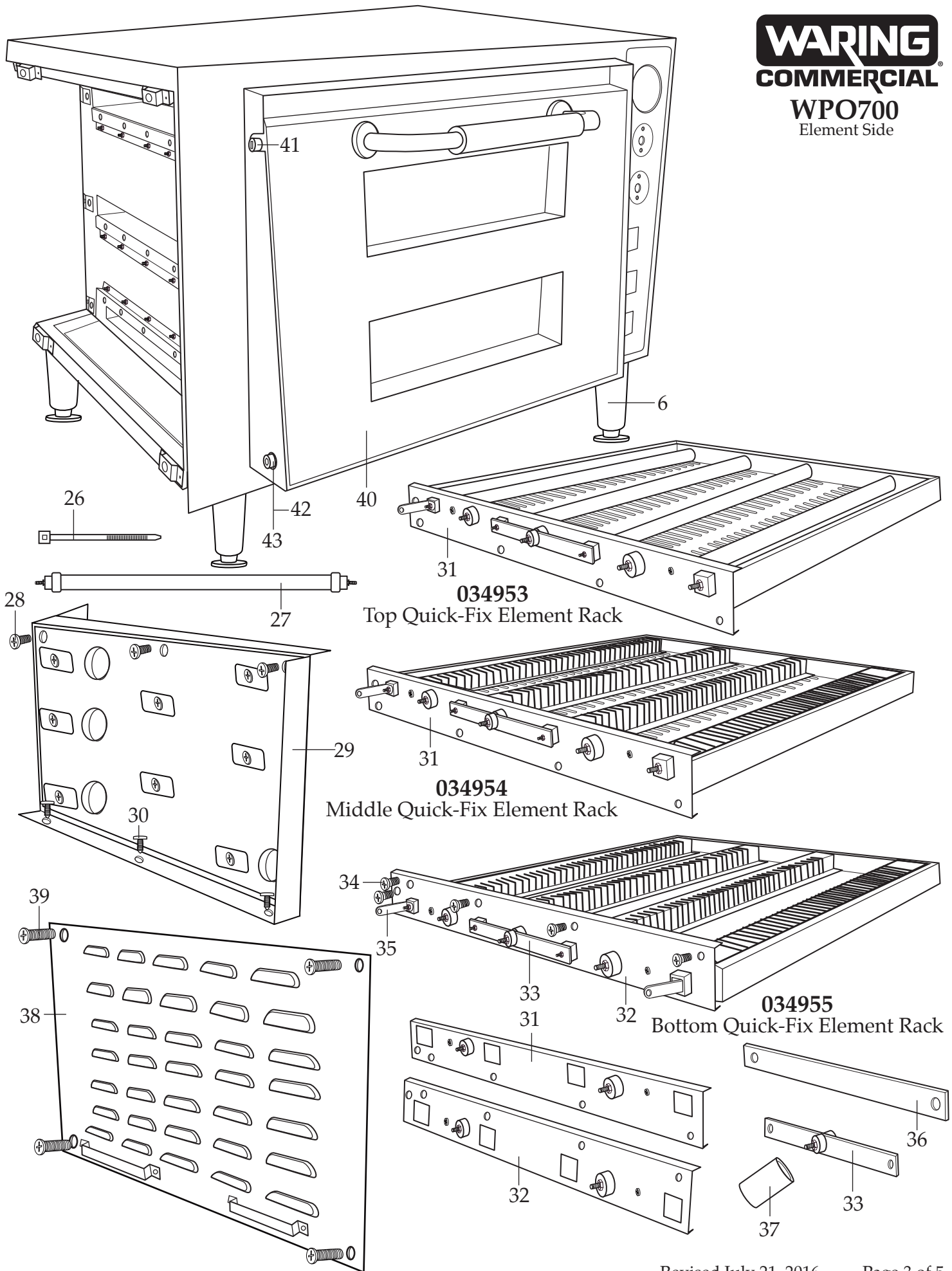


Illustration #	Part #	Description
1	033753	Temperature Gauge
2	028626	Temperature Knob with Screws
3	028626	Timer Knob with Set Screws
4	033752	Pizza Stone (2 required)
5	034946	Double On-Off Switch (2 required)
6	033755	Foot (4 required)
7	035609	Main Power Switch
8	029943	Screw (2 required)
9	033764	Timer
10	029943	Screw (2 required)
11	034948	Thermostat
12	033766	Temperature Gauge Bracket
13	033767	Thumb Screw (2 required)
14	034951	Component Right Side Panel
15	033771	Screw (4 required)
16	034957	Cord (240 volt)
17	033768	Oven Light Lens
18	035605	Bulb - Rated 230V / 25W
19	034949	Lamp Holder
20	034956	Thermal Cut-off
21	029959	Lock Washer (2 required)
22	034966	Screw (2 required)
23	034950	Bracket (temperature gauge & thermostat bulb ends)
24	034968	Washer (2 required)
25	034967	Screw (2 required)
26	013731	Wire Tie (12 required)
27	034952	Element Assembly (4 required each quick-fix rack)

Illustration #	Part #	Description
28	033776	Screw (3 required)
29	034959	Insulation Panel Assembly
30	033785	Screw (3 required)
31	034964	Top & Middle Element Rack Front Panel (2 required)
32	034965	Bottom Element Rack Front Panel
33	034963	Element Support Bracket Assembly (3 required on each rack)
34	033779	Screw (5 required on each rack)
35	034962	Angled End Element Bracket (4 required)
36	034961	Straight Support Bracket (2 required)
37	033786	Ceramic Sleeve (4 required)
38	034960	Element Left Side Panel
39	033771	Screw (4 required)
40	035347	Door Assembly
41	035349	Slotted Bolt (2 required one each side of door assembly)
42	035351	Washer (2 required one each side of door assembly)
43	035350	Allen Bolt (2 required one each side of door assembly)