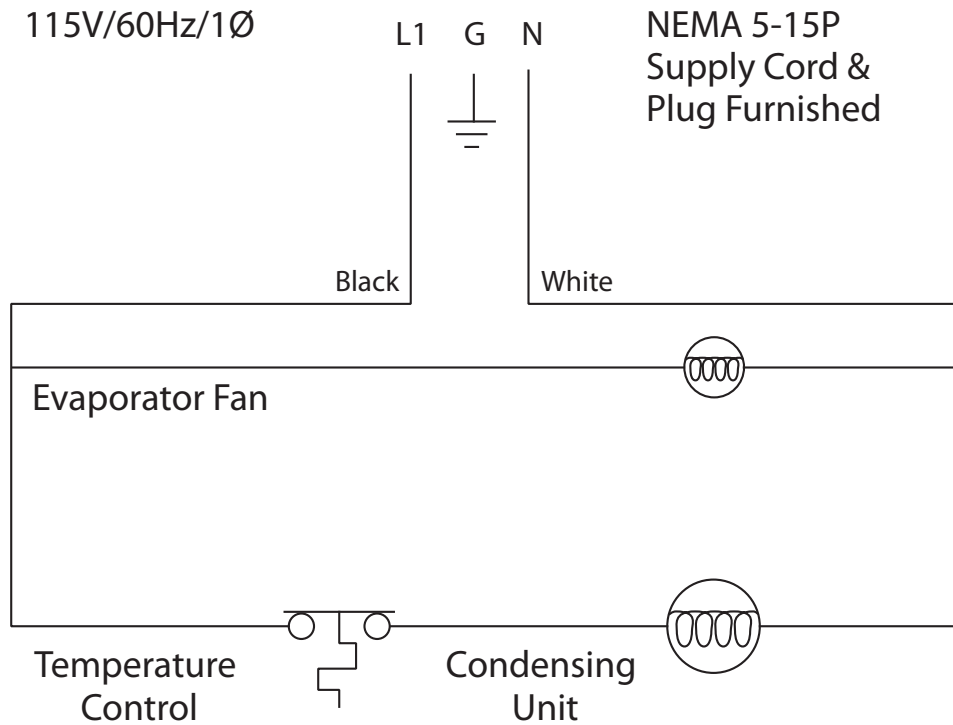


# Diagram

## Compact Refrigerators

MODELS 402, 406, 406CA, ST4048 & UC4048

### Models 402, 406, 406CA, ST4048 & UC4048



**Export Models 402-CE, 406-CE, 406CA-CE, ST4048-CE & UC4048-CE**

LINE VOLTAGE  
220V/50Hz/1Ph  
SEE NAMEPLATE FOR MAXIMUM  
FUSE SIZE

