

CONTINUOUS FLOW ICEMAKER

WCC700 - Series Illustrated Parts List

Release Date: February 07, 2018

Publication Number: 548000048

Revision: A

Notice

The products, technical information, and instructions contained in this manual are subject to change without notice. These instructions are not intended to cover all details or variations of the equipment, nor to provide for every possible contingency in the installation, operation or maintenance of this equipment. This manual assumes that the person(s) working on the equipment have been trained and are skilled in working with electrical, plumbing, pneumatic, and mechanical equipment. It is assumed that appropriate safety precautions are taken and that all local safety and construction requirements are being met, in addition to the information contained in this manual.

This Product is warranted only as provided in Cornelius' Commercial Warranty applicable to this Product and is subject to all of the restrictions and limitations contained in the Commercial Warranty.

Cornelius will not be responsible for any repair, replacement or other service required by or loss or damage resulting from any of the following occurrences, including but not limited to, (1) other than normal and proper use and normal service conditions with respect to the Product, (2) improper voltage, (3) inadequate wiring, (4) abuse, (5) accident, (6) alteration, (7) misuse, (8) neglect, (9) unauthorized repair or the failure to utilize suitably qualified and trained persons to perform service and/or repair of the Product, (10) improper cleaning, (11) failure to follow installation, operating, cleaning or maintenance instructions, (12) use of "non-authorized" parts (i.e., parts that are not 100% compatible with the Product) which use voids the entire warranty, (13) Product parts in contact with water or the product dispensed which are adversely impacted by changes in liquid scale or chemical composition.

Correct Disposal of this Product



RECYCLE

This marking indicates that this product should not be disposed with other household wastes throughout the EU. To prevent possible harm to the environment or human health from uncontrolled waste disposal, recycle it responsibly to promote the sustainable reuse of material resources. To return your used device, please use the return and collection systems or contact the retailer where the product was purchased. They can take this product for environmental safe recycling.

Trademarks and Copyrights

This document contains proprietary information and it may not be reproduced in any way without permission from Cornelius. This document contains the original instructions for the unit described.

CORNELIUS INC
101 Regency Drive
Glendale Heights, IL
Tel: + 1 800-238-3600

Printed in U.S.

Contact Information

To inquire about current revisions of any documentation or assistance with any Cornelius product, contact:

www.cornelius.com
800-238-3600

REFRIGERATION AND ICEMAKER ASSEMBLY MODEL 700A SERIES

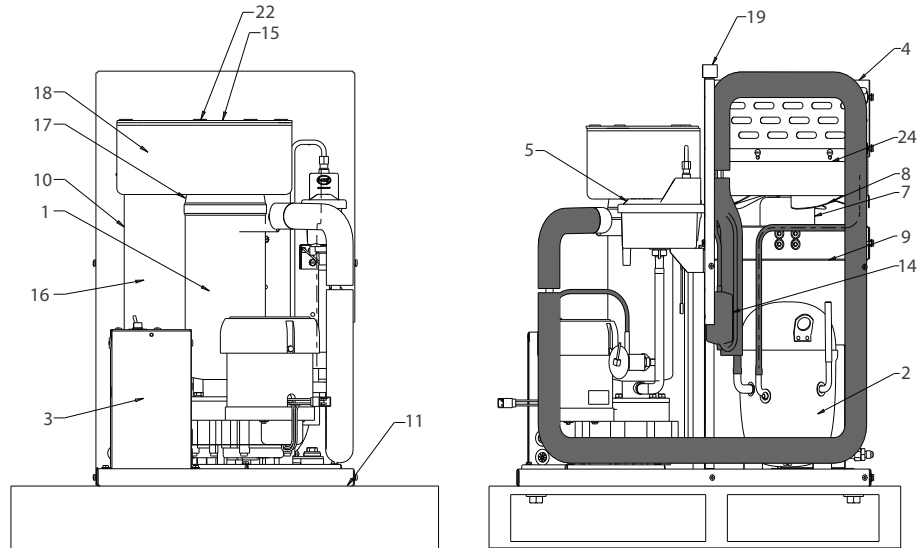


Figure 1.

Item	Part No.	Description
1	620054225	Evap Assy WCC 700
2	638090221	Compressor, 115V (For unit with S/N's starting with 62A and 62B)
	638090241	Compressor 208/230V
	162964041	Compressor, 220V 50Hz
	620054119	Compressor 115V (For unit with S/N's starting with 62C)
	620068241	Comp Copeland 404A RST70 (For unit with S/N's starting with 62E)
	620055368	Compressor 220/240V 50Hz (For unit with S/N's starting with 62C)
3	620054229	Electrical Box Assembly
4	638036273	Condenser-Air Cool
5	630900547	Water Level Control Assembly
	638008483	Reed Switch Assembly
6	620068259	Valve Thermal Expansion
7	638090234	Fan Motor Assembly, 208/230V
	638090233	Fan Motor Assembly, 220V 50 Hz
	620067555	Fan Motor Assembly, 115V
8	638096723	Fan Blade
9	638008814	Bracket, Fan Motor
10	638008812	Panel, Center
11	638036218	Bracket, Mounting Ice maker
12	638008409	Bulkhead Fitting
13	638007206-04	Nut, Jam 1/2-20
14	638004393	Dryer
15	630900942	Cover, Dispense Tray
	638036867-001	Clip Cover
16	638036213	Drop Tube Assembly
17	638036269	Clamp, Dispense Tray
18	638036869-001	Dispense Tray Assembly
19	7231762	Gasket, Foam 3/4 x 3/4 x 13 Lg.

Item	Part No.	Description
20*	20654	Access Port
21*	23988	Replacement Cap
22*	630900953	Thermostat Well
23*	161998009	Relay Start 115V RST 64
	620054242	Relay Start 115V RST 64 (For unit with S/N's starting with 62C)
	620068304	Comp Start Relay RST70 (For unit with S/N's starting with 62E)
24*	638090242	Relay Start 208/230V, 60Hz
25*	161998015	Relay Start 220V, 50Hz
	620055914	Relay Start 220V 50Hz
26*	161192004	Capacitor Run 115V (For unit with S/N's starting with 62A and 62B)
	620054254	Capacitor Run 115V RST64 (For unit with S/N's starting with 62C)
	620068305	Comp Run Capacitor RST70 (For unit with S/N's starting with 62E)
27*	638090123	Capacitor Run 208/230V, 60Hz
28*	161165008	Capacitor Start 115V
	620054243	Capacitor Run 115V RST64 (For unit with S/N's starting with 62C)
	620068306	Comp Starting Capacitor RST70 (For unit with S/N's starting with 62E)
29*	25335	Capacitor Start 208/230V, 60Hz
		Capacitor Start 220V, 50Hz
	620055913	Capacitor Start 220V, 50Hz (For unit with S/N's starting with 62O)
30*	638090235	Condenser Shroud
31*	629097777	Kit Comp Replacement WCC700A
32*	620054237	Panel Side RH WCC700A
33*	620054238	Panel Side LH WCC700A
34*	638036265-01	Panel Front WIL 500/700
35*	638036264-01	Panel Top

NOTE: * = Not Shown

REFRIGERATION AND ICEMAKER ASSEMBLY MODEL 700W SERIES

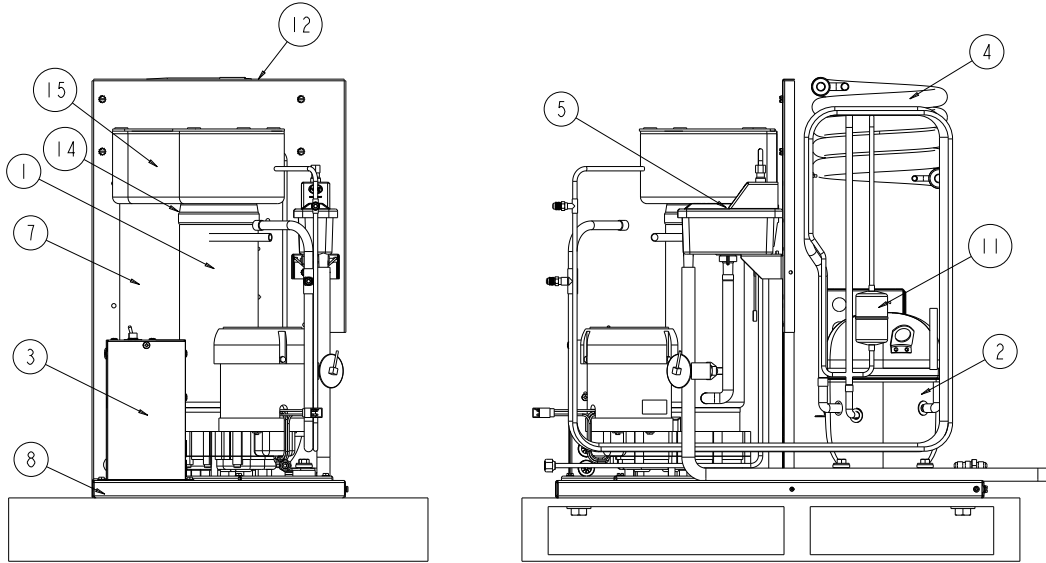


Figure 2.

Item No.	Part No.	Description
1	620054225	Evap Assy WCC 700
2	638090221	Compressor, 115V (For unit with S/N's starting with 62A and 62B)
	638090241	Compressor 208/230V
	162964041	Compressor, 220V 50Hz
	620054119	Compressor 115V (For unit with S/N's starting with 62C)
	620068241	Comp Copeland 404A RST70
	620055368	Compressor 220/240V 50Hz (For unit with S/N's starting with 62C)
3	620054229	Electrical Box Assembly
4	630901139	Condenser Coil
5	630900547	Water Level Control Assembly
	638008483	Reed Switch Assembly
6*	620068259	Valve Thermal Expansion
7	638008812	Panel, Center
8	638036218	Bracket, Mounting Ice maker
9*	638008409	Bulkhead Fitting
10*	638007206-04	Nut, Jam 1/2-20
11	638004393	Dryer
12	630900942	Cover, Dispense Tray
	638036867-001	Clip Cover
13*	638036213	Drop Tube Assembly
14	638036269	Clamp, Dispense Tray
15	638036869-001	Dispense Tray Assembly
16*	7231762	Gasket, Foam 3/4 x 3/4 x 13 Lg.

Item No.	Part No.	Description
17*	20654	Access Port
18*	23988	Replacement Cap
19*	630900953	Thermostat Well
20*	638007208-03	Nut, Palnut, 3/4-16
21*	638008834	Bracket, Mounting Condenser
22*	638009755	Pressure Switch
23*	620055903	Water Regulating Valve
24*	161998009	Relay Start 115V RST 64
	620054242	Relay Start 115V RST 64 For unit with S/N's starting with 62C
25*	638090242	Relay Start 208/230V, 60Hz
26*	161998015	Relay Start 220V, 50Hz
	620055914	Relay Start 220V 50Hz
27*	161192004	Capacitor Run 115V (For unit with S/N's starting with 62A and 62B)
	620054254	Capacitor Run 115V RST64 (For unit with S/N's starting with 62C)
28*	638090123	Capacitor Run 208/230V, 60Hz
29*	161165008	Capacitor Start 115V
	620054243	Capacitor Run 115V RST64 (For unit with S/N's starting with 62C)
30*	25335	Capacitor Start 208/230V, 60Hz
		Capacitor Start 220V, 50Hz
	620055913	Capacitor Start 220V, 50Hz (For unit with S/N's starting with 62O)
31*	629097159	Kit Comp Replacement WCC700-W
32*	620054237	Panel Side RH WCC700A
33*	620054238	Panel Side LH WCC700A
34*	638036265-01	Panel Frnt WIL 500/700
35*	638036254-01	Panel Top

* = Not Shown

REFRIGERATION AND ICEMAKER ASSEMBLY MODEL 700R SERIES

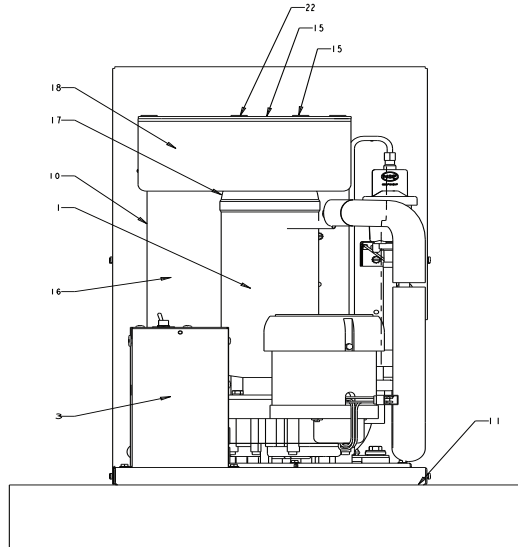


Figure 3.

Item No.	Part No.	Description
1	620054225	Evap Assy WCC 700
2	638090221	Compressor, 115V (For unit with S/N's starting with 62A and 62B)
	638090241	Compressor 208/230V
	162964041	Compressor, 220V 50Hz
	620054119	Compressor 115V (For unit with S/N's starting with 62C)
	620068241	Comp Copeland 404A RST70
3	620054229	Electrical Box Assembly
4	638036273	Condenser-Air Cool
5	630900547	Water Level Control Assembly
	638008483	Reed Switch Assembly
6	620068259	Valve Thermal Expansion
7	638008812	Panel, Center
8	638036218	Bracket, Mounting Icemaker
9	638008409	Bulkhead Fitting
10	638007206-04	Nut, Jam 1/2-20
11	638004393	Dryer
12	630900942	Cover, Dispense Tray
	638036867-001	Clip Cover
13	638036213	Drop Tube Assembly
14	638036269	Clamp, Dispense Tray
15	638036869-001	Dispense Tray Assembly
16	7231762	Gasket, Foam 3/4 x 3/4 x 13 Lg.

Item No.	Part No.	Description
17*	20654	Access Port
18*	23988	Replacement Cap
19	630900953	Thermostat Well
20*	638007208-03	Nut, Palnut, 3/4-16
21*	638008834	Bracket, Mounting Condenser
22*	638009755	Pressure Switch
23*	620055903	Water Regulating Valve
24	161998009	Relay Start 115V RST 64
	620054242	Relay Start 115V RST 64 For unit with S/N's starting with 62C
25*	638090242	Relay Start 208/230V, 60Hz
26*	161998015	Relay Start 220V, 50Hz
	620055914	Relay Start 220V 50Hz
27	161192004	Capacitor Run 115V (For unit with S/N's starting with 62A and 62B)
	620054254	Capacitor Run 115V RST64 (For unit with S/N's starting with 62C)
28*	638090123	Capacitor Run 208/230V, 60Hz
29*	161165008	Capacitor Start 115V
	620054243	Capacitor Run 115V RST64 (For unit with S/N's starting with 62C)
30*	25335	Capacitor Start 208/230V, 60Hz
		Capacitor Start 220V, 50Hz
	620055913	Capacitor Start 220V, 50Hz (For unit with S/N's starting with 62O)
31*	638036253-01	Panel Side RH WCC700A
32*	638036252-01	Panel Side LH WCC700A
33*	638036265-01	Panel Frnt WIL 500/700
34*	638036254-01	Panel Top

* = Not Shown

REFRIGERATION AND ICEMAKER ASSEMBLY MODEL 700R CARBON SERIES

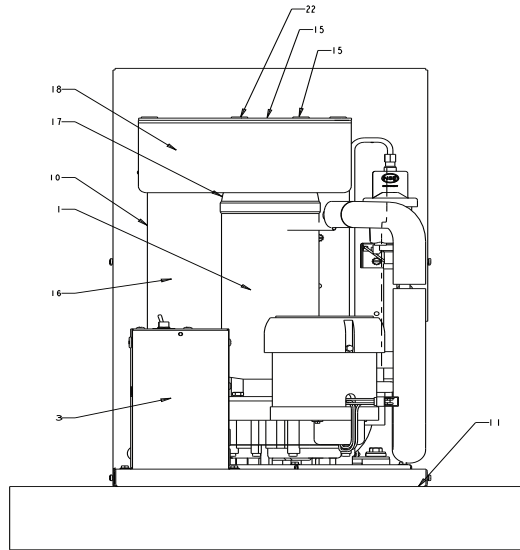


Figure 4.

Item No.	Part No.	Description
1	620054225	Evap Assy WCC 700
2	638090221	Compressor, 115V (For unit with S/N's starting with 62A and 62B)
	638090241	Compressor 208/230V
	162964041	Compressor, 220V 50Hz
	620054119	Compressor 115V (For unit with S/N's starting with 62C)
	620068241	Comp Copeland 404A RST70
	620055368	Compressor 220/240V 50Hz (For unit with S/N's starting with 62C)
3	620054229	Electrical Box Assembly
5	630900547	Water Level Control Assembly
	638008483	Reed Switch Assembly
6	620068259	Valve Thermal Expansion
7	638008812	Panel, Center
8	638036218	Bracket, Mounting Icemaker
9	638008409	Bulkhead Fitting
10	638007206-04	Nut, Jam 1/2-20
11	638004393	Dryer
12	630900942	Cover, Dispense Tray
	638036867-001	Clip Cover
13	638036213	Drop Tube Assembly
14	638036269	Clamp, Dispense Tray
15	638036869-001	Dispense Tray Assembly
16	7231762	Gasket, Foam 3/4 x 3/4 x 13 Lg.

Item No.	Part No.	Description
17*	20654	Access Port
18*	23988	Replacement Cap
19	630900953	Thermostat Well
20*	638007208-03	Nut, Palnut, 3/4-16
21*	638008834	Bracket, Mounting Condenser
22*	638009755	Pressure Switch
23*	620055903	Water Regulating Valve
24	161998009	Relay Start 115V RST 64
	620054242	Relay Start 115V RST 64 For unit with S/N's starting with 62C
25*	638090242	Relay Start 208/230V, 60Hz
26*	161998015	Relay Start 220V, 50Hz
	620055914	Relay Start 220V 50Hz
27	161192004	Capacitor Run 115V (For unit with S/N's starting with 62A and 62B)
	620054254	Capacitor Run 115V RST64 (For unit with S/N's starting with 62C)
	620068305	Comp Run Capacitor RST70
28*	638090123	Capacitor Run 208/230V, 60Hz
29*	161165008	Capacitor Start 115V
	620054243	Capacitor Run 115V RST64 (For unit with S/N's starting with 62C)
30*	25335	Capacitor Start 208/230V, 60Hz Capacitor Start 220V, 50Hz
	620055913	Capacitor Start 220V, 50Hz (For unit with S/N's starting with 62O)
	31*	638090235
32*	620067251	Panel Side RH WCC700A
33*	620067252	Panel Side LH WCC700A
34*	620067039	Panel Frnt WIL 500/700
35*	620067254	Panel Top

* = Not Shown

REFRIGERATION AND ICEMAKER ASSEMBLY MODEL 700A CARBON SERIES

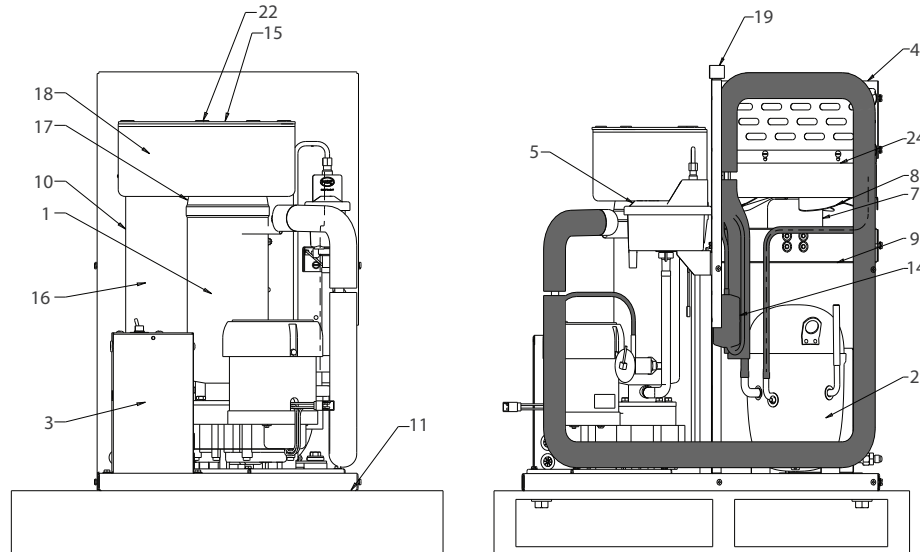


Figure 5.

Item No.	Part No.	Description
1	620054225	Evap Assy WCC 700
2	638090221	Compressor, 115V (For unit with S/N's starting with 62A and 62B)
	638090241	Compressor 208/230V
	162964041	Compressor, 220V 50Hz
	620054119	Compressor 115V (For unit with S/N's starting with 62C)
	620068241	Comp Copeland 404A RST70
	620055368	Compressor 220/240V 50Hz (For unit with S/N's starting with 62C)
3	620054229	Electrical Box Assembly
4	638036273	Condenser-Air Cool
5	630900547	Water Level Control Assembly
	638008483	Reed Switch Assembly
6	620068259	Valve Thermal Expansion
7	638090236	Fan Motor Assembly, 115V
	638090234	Fan Motor Assembly, 208/230V
	638090233	Fan Motor Assembly, 220V 50 Hz
8	638096723	Fan Blade
9	638008814	Bracket, Fan Motor
10	638008812	Panel, Center
11	638036218	Bracket, Mounting Ice maker
12	638008409	Bulkhead Fitting
13	638007206-04	Nut, Jam 1/2-20
14	638004393	Dryer
15	630900942	Cover, Dispense Tray
	638036867-001	Clip Cover
16	638036213	Drop Tube Assembly
17	638036269	Clamp, Dispense Tray
18	638036869-001	Dispense Tray Assembly
19	7231762	Gasket, Foam 3/4 x 3/4 x 13 Lg.

Item No.	Part No.	Description
20*	20654	Access Port
21*	23988	Replacement Cap
22*	630900953	Thermostat Well
23*	161998009	Relay Start 115V RST 64
	620054242	Relay Start 115V RST 64 For unit with S/N's starting with 62C
24*	638090242	Relay Start 208/230V, 60Hz
25*	161998015	Relay Start 220V, 50Hz
	620055914	Relay Start 220V 50Hz
26*	161192004	Capacitor Run 115V (For unit with S/N's starting with 62A and 62B)
	620054254	Capacitor Run 115V RST64 (For unit with S/N's starting with 62C)
27*	638090123	Capacitor Run 208/230V, 60Hz
28*	161165008	Capacitor Start 115V
	620054243	Capacitor Run 115V RST64 (For unit with S/N's starting with 62C)
29*	25335	Capacitor Start 208/230V, 60Hz
	620055913	Capacitor Start 220V, 50Hz (For unit with S/N's starting with 62O)
30*	638090235	Condenser Shroud
31*	620054256	Kit Comp Replacement WCC700
32*	620067734	Panel Side RH WCC700A
33*	620067735	Panel Side LH WCC700A
34*	620067039	Panel Frnt WIL 500/700
35*	620068211	Panel Top

* = Not Shown

REFRIGERATION AND ICEMAKER ASSEMBLY MODEL 700W CARBON SERIES

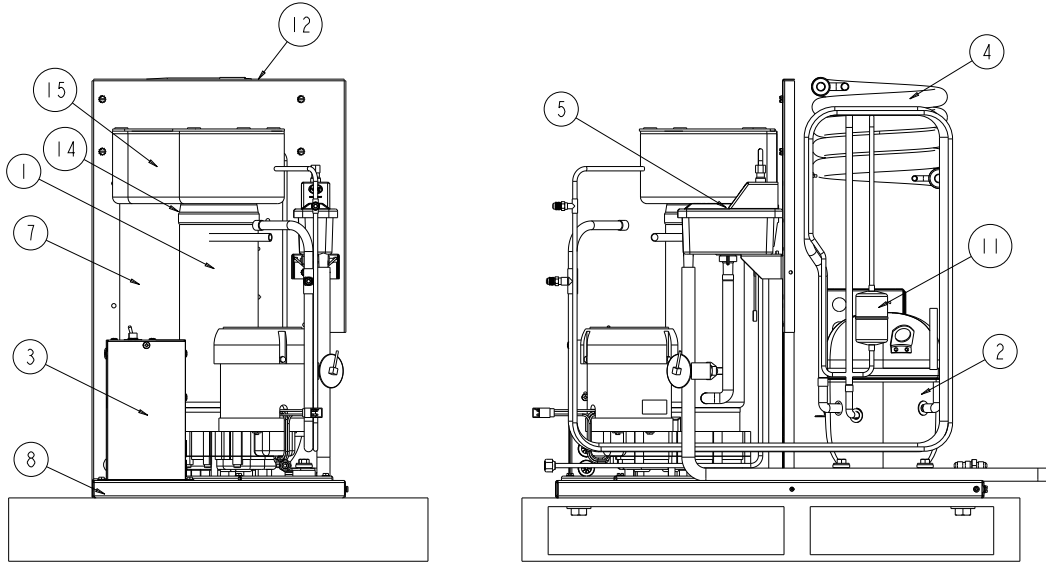


Figure 6.

Item No.	Part No.	Description
1	620054225	Evap Assy WCC 700
2	638090221	Compressor, 115V (For unit with S/N's starting with 62A and 62B)
	638090241	Compressor 208/230V
	162964041	Compressor, 220V 50Hz
	620054119	Compressor 115V (For unit with S/N's starting with 62C)
	620068241	Comp Copeland 404A RST70
	620055368	Compressor 220/240V 50Hz (For unit with S/N's starting with 62C)
3	620054229	Electrical Box Assembly
4	630901139	Condenser Coil
5	630900547	Water Level Control Assembly
	638008483	Reed Switch Assembly
6*	620068259	Valve Thermal Expansion
7	638008812	Panel, Center
8	638036218	Bracket, Mounting Ice maker
9	638008409	Bulkhead Fitting
10	638007206-04	Nut, Jam 1/2-20
11	638004393	Dryer
12	630900942	Cover, Dispense Tray
	638036867-001	Clip Cover
13*	638036213	Drop Tube Assembly
14	638036269	Clamp, Dispense Tray
15	638036869-001	Dispense Tray Assembly
16*	7231762	Gasket, Foam 3/4 x 3/4 x 13 Lg.

Item No.	Part No.	Description
17*	20654	Access Port
18*	23988	Replacement Cap
19*	630900953	Thermostat Well
20*	638007208-03	Nut, Palnut, 3/4-16
21*	638008834	Bracket, Mounting Condenser
22*	638009755	Pressure Switch
23*	620055903	Water Regulating Valve
24*	161998009	Relay Start 115V RST 64
	620054242	Relay Start 115V RST 64 For unit with S/N's starting with 62C
25*	638090242	Relay Start 208/230V, 60Hz
26*	161998015	Relay Start 220V, 50Hz
	620055914	Relay Start 220V 50Hz
27*	161192004	Capacitor Run 115V (For unit with S/N's starting with 62A and 62B)
	620054254	Capacitor Run 115V RST64 (For unit with S/N's starting with 62C)
28*	638090123	Capacitor Run 208/230V, 60Hz
29*	161165008	Capacitor Start 115V
	620054243	Capacitor Run 115V RST64 (For unit with S/N's starting with 62C)
30*	25335	Capacitor Start 208/230V, 60Hz
		Capacitor Start 220V, 50Hz
	620055913	Capacitor Start 220V, 50Hz (For unit with S/N's starting with 62O)
31*	629097159	Kit Comp Replacement WCC700-W
32*	620067734	Panel Side RH WCC700A
33*	620067735	Panel Side LH WCC700A
34*	620067039	Panel Frnt WIL 500/700
35*	620067254	Panel Top

* = Not Shown

FRONT END ASSEMBLY MODEL 700 SERIES FLAKERS AND CHUNKLETS

Item No.	Part No.	Name
1	638090001	Gearmotor Less Cable, Seals, O-ring, Seal-mount 115V
	638090001-001	Gearmotor Less Cable, Seals, O-ring, Seal-mount 230V, 60Hz
	638090001-002	Gearmotor Less Cable, Seals, O-ring, Seal-mount 220V, 50Hz
	638090050	Gearmotor - 115V Service Kit
	638090050-004	Gearmotor - 230V Service Kit
	638090050-006	Gearmotor - 220V Service Kit
2	638090215	Shaft Seal Mount
3	638090051	Shaft Seal
4	638007301-030	Washer, Lower
5	638090053	E-Ring
6	638090216	Shaft Seal Seat
7	168833000	Washer, Lock 1/4 Split
8	161179001	Screw 1/4-20 x 3/4 Lg. HHMS
9	638036282-001	Evaporator Assembly for Flake Ice
	630000651	Evaporator Assembly for Chunklet Ice
10	638090213	Auger
11	638090218	Extruding Head for Flake Ice
	630900608	Extruding Head for Chunklet Ice
12	620068259	Expansion Valve
13	638036218	Bracket, Mounting
14	638090211	Auger Nut
15	638090219	Bearing Nylon
16	638090220	Bearing Delrin

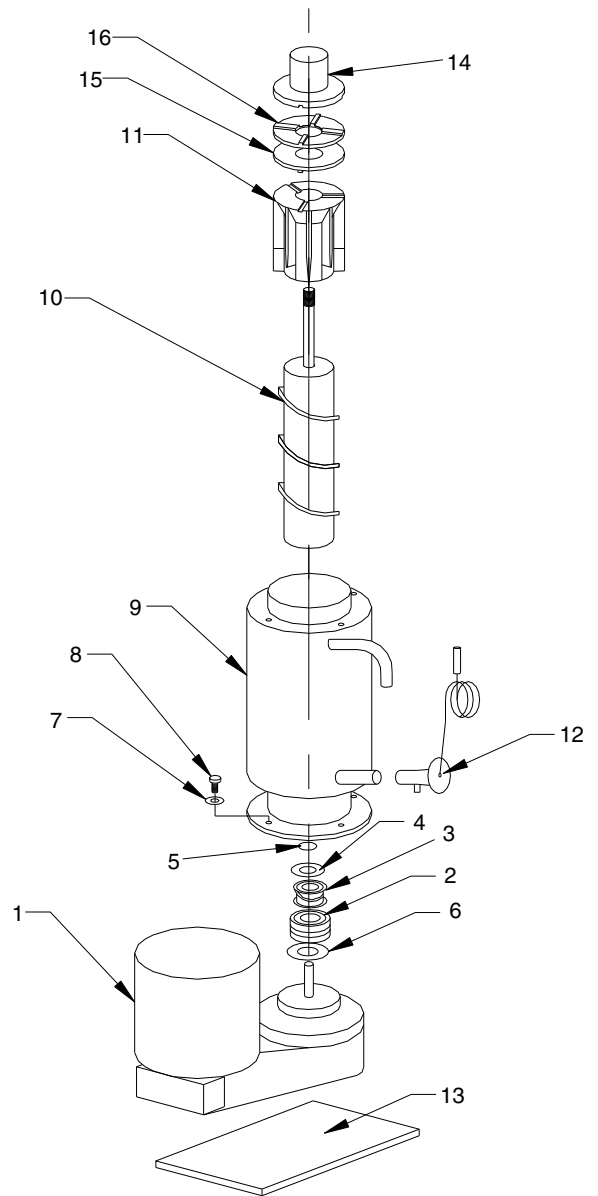


Figure 7

ELECTRICAL BOX ASSEMBLY MODEL 700 SERIES

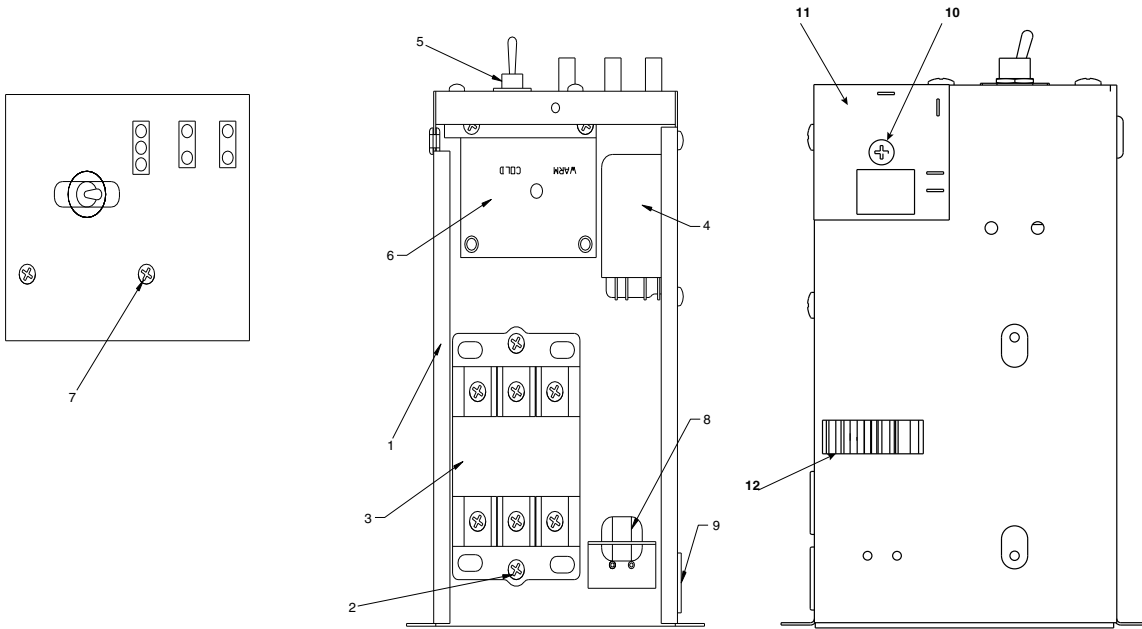


Figure 8

Item No.	Part No. 700 (115V)	Part No. 701 (208/230V)	Part No. 702 (220/240V)	Name	Qty.
1	630000880	630000880	630000880	Electrical box	1
2	638007026-03	638007026-03	638007026-03	Screw 8/32 x 5/8 RHMS	2
3	638090052	638090054	638090054	Contactor	1
4	638003898	638010002	638010002	Relay	1
5	638004791	638004791	638004791	Switch - Toggle	1
6	630900946	630900947	630900947	Bin Control	1
7	638007026-01	638007026-01	638007026-01	Screw 8/32 x 3/8 RHMS	2
8	163424000	163424000	163424000	Strain Relief	1
9	163529000	163529000	163529000	Bushing	1
10	07515			Screw Sm 10 Tb Paph 32 STZL	1
11	638031498			Timer Auger Delay 60 Sec 120/60	1
12	620054736			Clamp Harness Adjustable 0.57-0.75"	1
13	620066534			Harn Control Box WCC 700A W/Auger delay	1

Cornelius Inc.
www.cornelius.com