

WARING COMMERCIAL WFP11SW

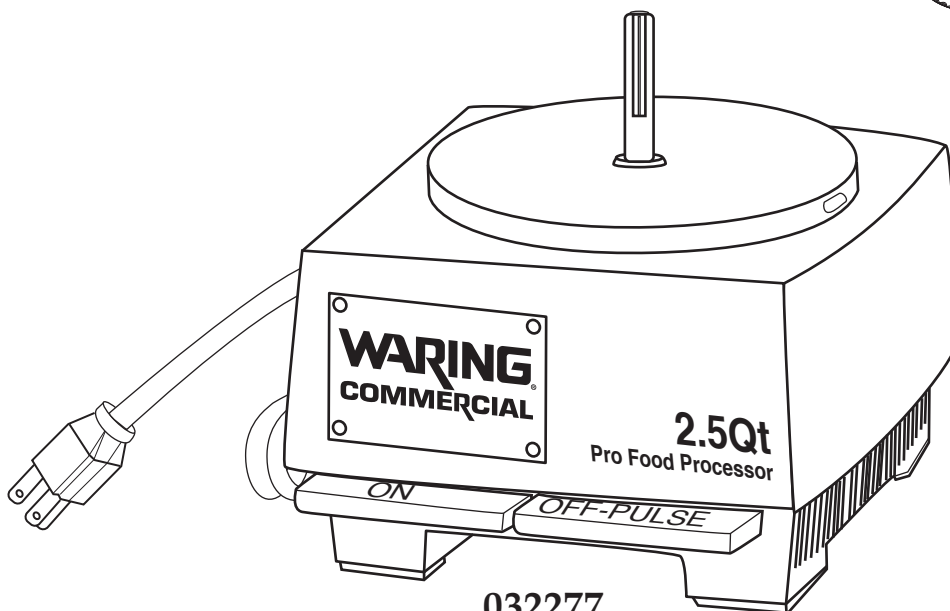
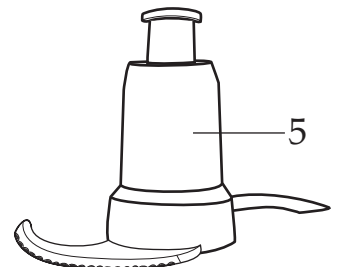
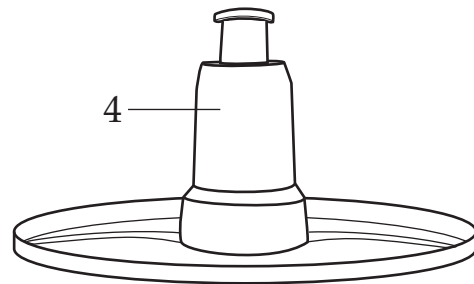
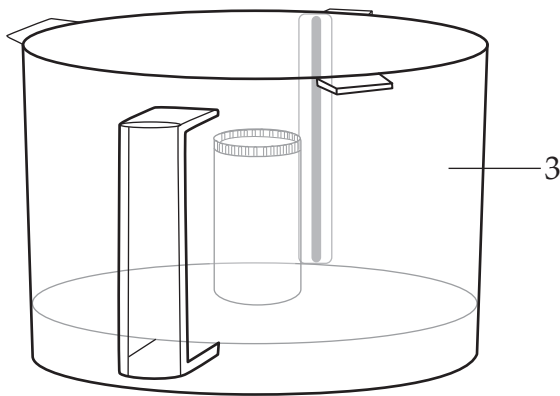
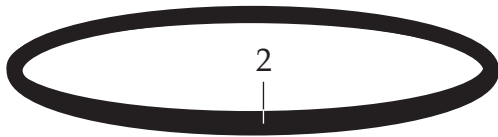
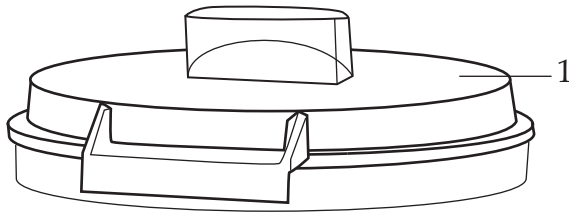
2.5-Quart Sealed Food Processor

Unit Information

5 Amps MAX

¾ HP Motor

5 Yr Motor - 2 Yr Parts & Labor Warranty



032277
Base Unit Assy.

Illustration #	Part #	Description
1	032416	Flat Cover
2	032282	Cover Seal
3	032283	Bowl
4	032417	Whipping Disc
5	032285	Serrated S Blade

Internal Components

