

**WARING**  
**COMMERCIAL**

**MX1100XT**

64 oz. BPA-Free copolyester container

**MX1100XTC**

ServeCanada 64 oz. BPA-Free copolyester container

**MX1100XTP**

32-48 oz. BPA-Free copolyester container

**MX1100XTS**

64 oz. stainless steel container

**MX1100XTSEC**

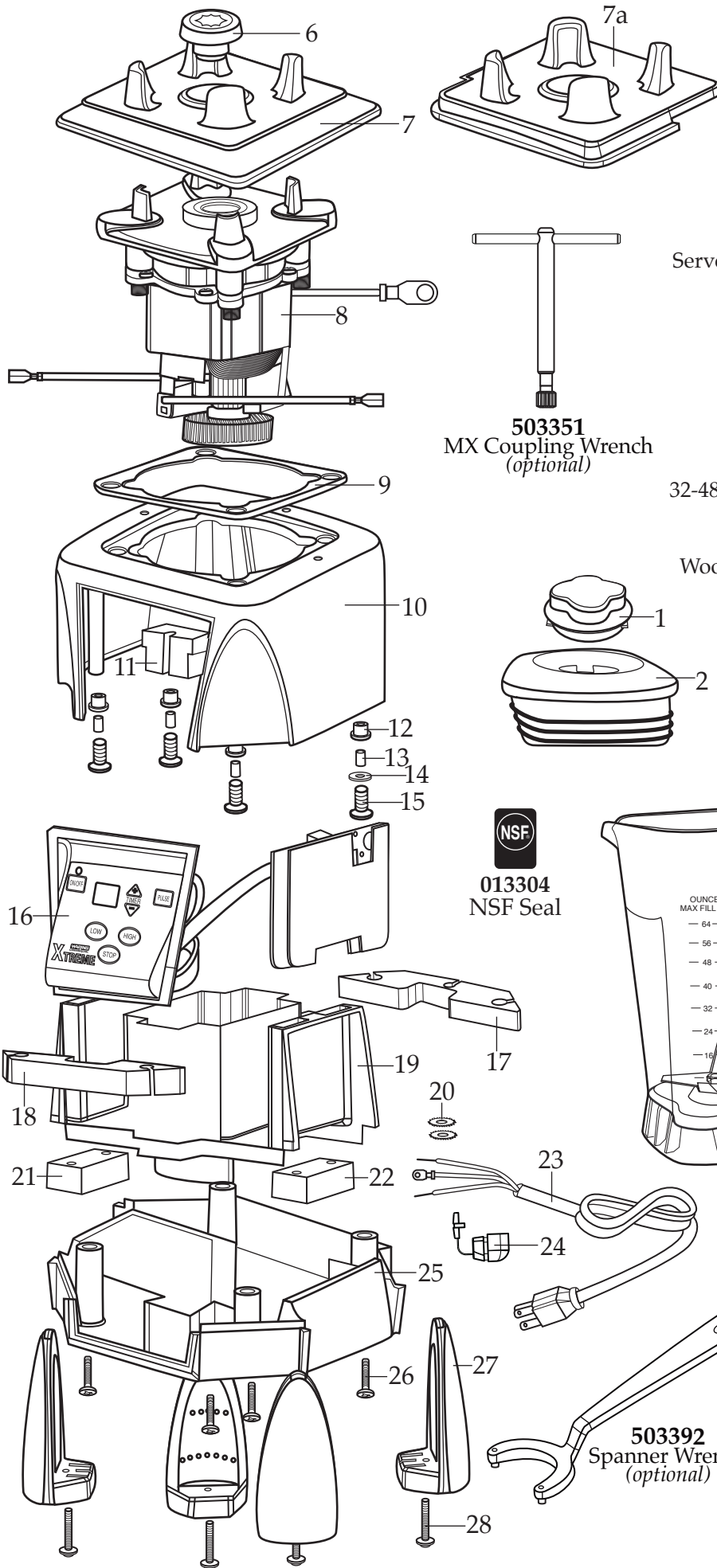
32-48 oz. BPA-Free copolyester container with SE1000

**MX1100XTWT**

Woody's 32-48 oz. BPA-Free copolyester container

**NDG1100XT**

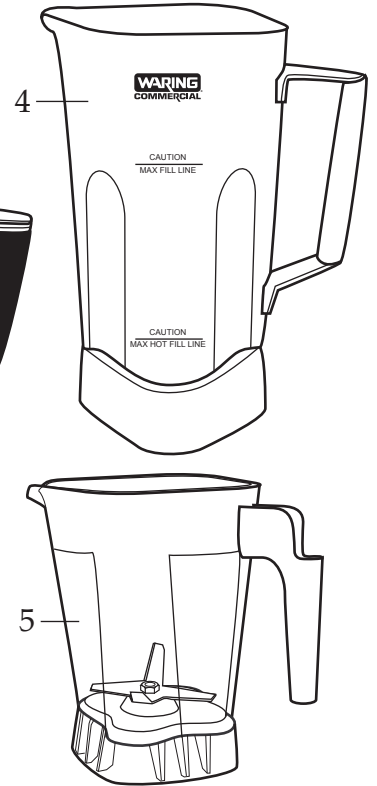
NextDayGourmet-private label  
64 oz. BPA-Free copolyester container



**503351**  
MX Coupling Wrench  
(optional)

**NSF**  
**013304**  
NSF Seal

**503392**  
Spanner Wrench  
(optional)



Unit Information	
Limited 3 Year Motor Warranty	
Two Year Parts & Labor	
60Hz - 13 Amps	
3 HP Motor - 30,000+ RPM's	
30 Second Electronic Countdown Timer	
One Piece Dishwasher Safe Removable Jar Pad	

**Catalog****Model**

MX1100XT	MX1100XT11
MX1100XTC	MX1100XTC
MX1100XTP	MX1100XT21
MX1100XTS	MX1100XT31
MX1100XTSEC	MX1100XTSEC
MX1100XTWT	MX1100XT21
NDG1100XT	MX1100XT11



<b>Illustration #</b>	<b>Part #</b>	<b>Description</b>
1	026425-E	Jar Lid Cover
2	026424	Jar Lid
3	503347	Jar with Blending Assy. /64 oz. Eastman
4	503346	Jar with Blending Assy. /64 oz. stainless steel
5	503348	Jar with Blending Assy. /32-48 oz. Eastman
6	028538	Drive Clutch
7	026442	Jar Pad
7a	026443	Jar Pad /use with sound enclosure
8	028100	Motor
9	026437	Dampening Plate Gasket
10	028032-09	Top Housing /black
11	028541	Motor Foam 2 Req.'d
12	026439	Dampening Plate Bushing 4 Req.'d
13	026453	Dampening Plate Sleeve 4 Req.'d
14	026459	Washer
15	028929	Screw 4 Req.'d
	026459	Washer 4 Req.'d (older units)
	026455	Screw 4 Req.'d (older units)
16	028390	Control Panel
	028904	Control Panel /NextDay Gourmet
17	028248	Housing Foam Baffle / rear
18	028249	Housing Foam Baffle / front
19	028240	Motor Housing
20	002943	Washer 2 Req.'d
21	028247	Bottom Housing Foam Baffle
22	028542	Foam Baffle
23	026925	Cord Set
24	007556	Strain Relief
25	028241-09-x	Bottom Housing /black
26	012505	Screw 4 Req.'d
27	026430	Corner Post 4 Req.'d

**Catalog**

**Model**

MX1100XT	MX1100XT11
MX1100XTC	MX1100XTC
MX1100XTP	MX1100XT21
MX1100XTS	MX1100XT31
MX1100XTSEC	MX1100XTSEC
MX1100XTWT	MX1100XT21
NDG1100XT	MX1100XT11

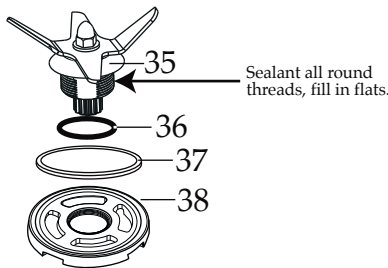
**Waring Factory Service Center**  
 314 Ella T. Grasso Ave.  
 Torrington, CT 06790  
 Tele. 1-800-269-6640  
 Fax 860-496-9017  
 www.waringproducts.com

<b>Illustration #</b>	<b>Part #</b>	<b>Description</b>
28	028928 026459 012505	Screw 4 Req.'d Washer 4 Req.'d (older units) Screw 4 Req.'d (older units)
29	026432	Inner Enclosure
30	026433	Outer Enclosure
31	027447	O Ring 2 Req.'d
32	026461	Screw 3 Req.'d
33	026434	Sound Enclosure Handle
34	012505	Screw 2 Req.'d
35	503345	Blade Assy.
36	024271	O Ring
37	024268	Nut Gasket
38	029631	Bearing Holder Nut
39	026423-E	64 oz. Eastman Container
40	029003-E	32-48 oz. Eastman Container

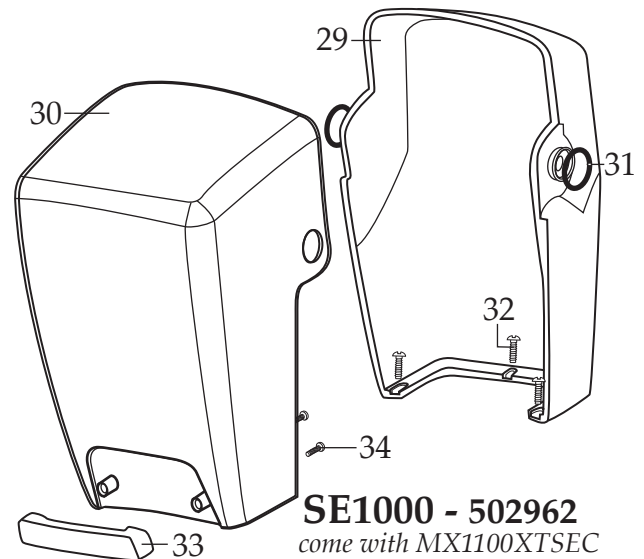
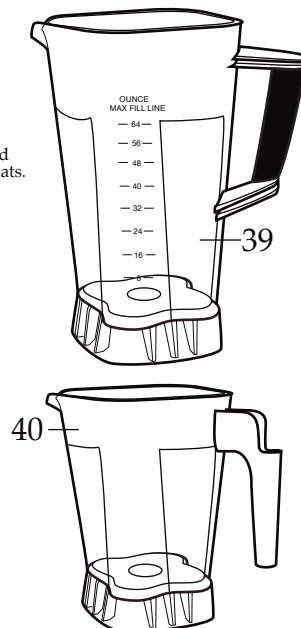
**Notes for 503347 & 503348 :**

Torque 100-125 in/lbs

Sealant all around the threads, fill in flats.  
 Dow Corning Sealant RTV 733



**031060**  
 Blending Assy. Kit



**SE1000 - 502962**  
 come with MX1100XTSEC

**503347 and 503348 - Eastman Containers**

**Catalog**

**Model**

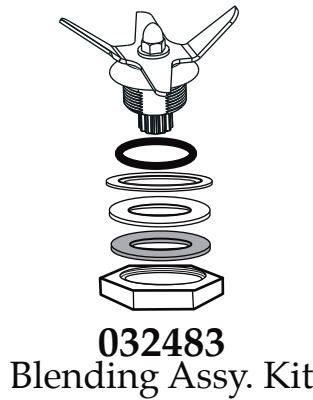
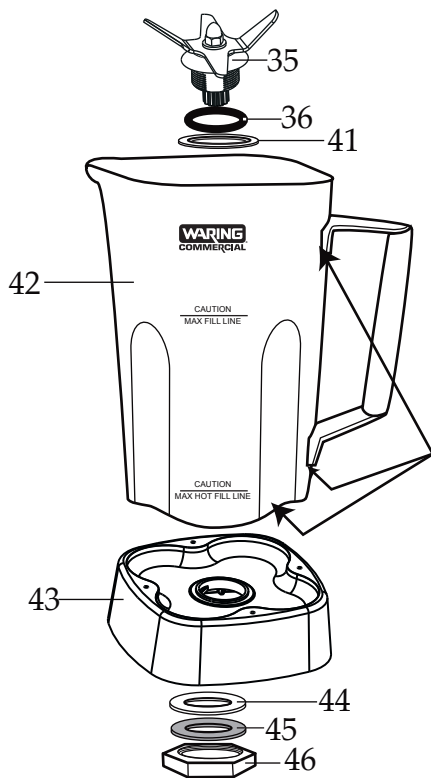
MX1100XT	MX1100XT11
MX1100XTC	MX1100XTC
MX1100XTP	MX1100XT21
MX1100XTS	MX1100XT31
MX1100XTSEC	MX1100XTSEC
MX1100XTWT	MX1100XT21
NDG1100XT	MX1100XT11

**Waring Factory Service Center**  
 314 Ella T. Grasso Ave.  
 Torrington, CT 06790  
 Tele. 1-800-269-6640

Fax 860-496-9017  
 www.waringproducts.com

Illustration #	Part #	Description
----------------	--------	-------------

41	026798	Support Washer
42	026648	64 oz. Containter / stainless steel
43	026649	Container Support
44	026797	Bearing Holder Gasket
45	026796	Bearing Holder Washer
46	026795	SS Jar Bearing Holder Nut



Sealant applied all round these indicated areas.

**Notes for 503346 :**

Torque 100-125 in/lbs

Sealant applied all around indicated areas.  
 Dow Corning Sealant RTV 733

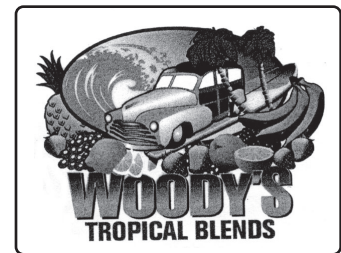
Lubricant applied to O Ring  
 Dow Corning 200 (R) Fluid

**503346 - Stainless Steel Container**



**028672**

NDG Name Plate / NDG1100XT



**028595**

Woody Label / MX1100XTWT

