

500664
2 Piece Lid



032588

Container Complete with Blending Assy. and Lid (CAC21)

WARING COMMERCIAL[®]

MMB142
Margarita Madness Blender

MMB142-3
Margarita Madness Blender

MMB14C
Margarita Madness Blender w/ Extra Container

MMB14CRD
Margarita Madness Blender Restaurant Depot

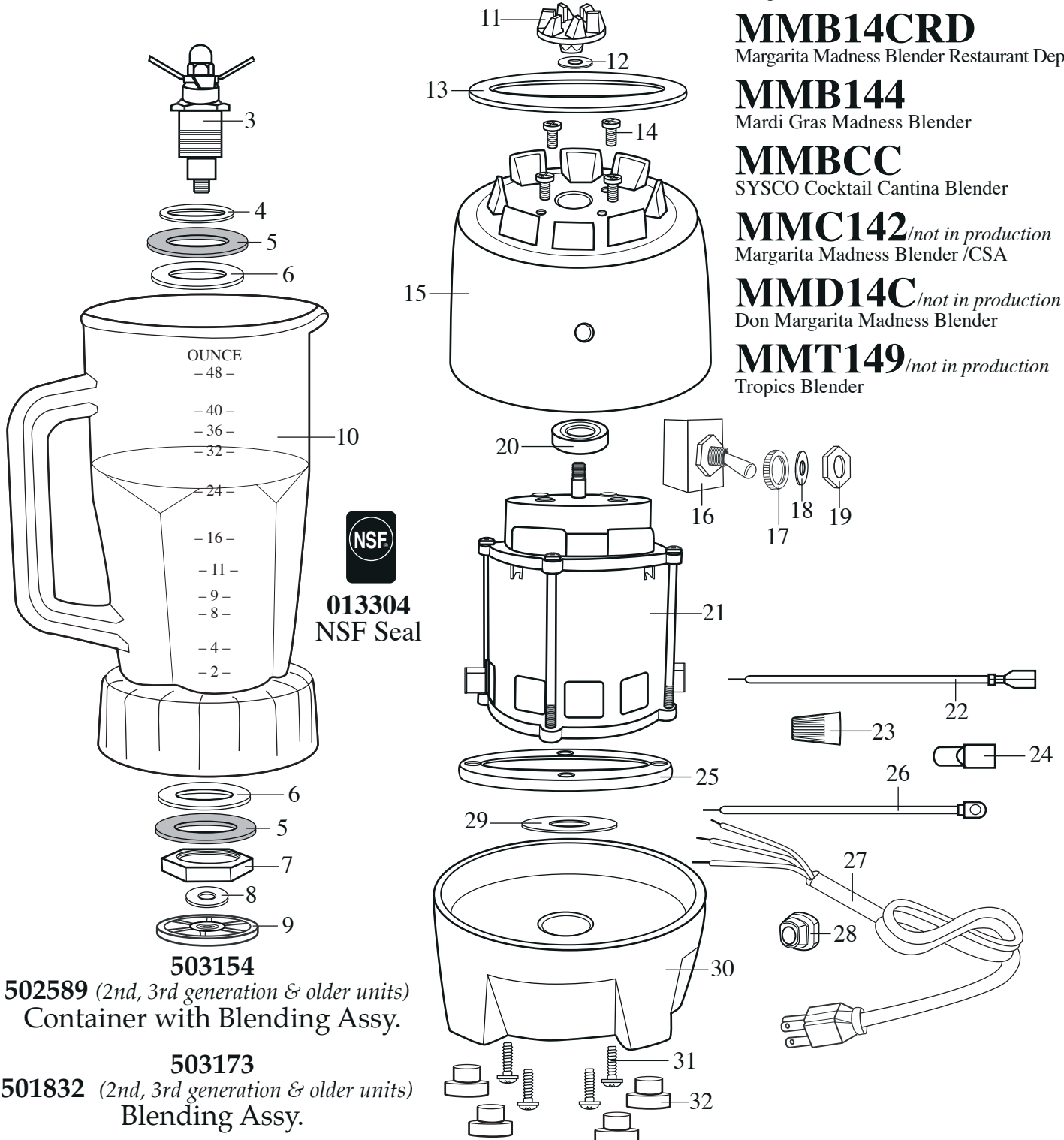
MMB144
Mardi Gras Madness Blender

MMBCC
SYSCO Cocktail Cantina Blender

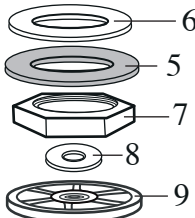
MMC142 /not in production
Margarita Madness Blender /CSA

MMD14C /not in production
Don Margarita Madness Blender

MMT149 /not in production
Tropics Blender



013304
NSF Seal



503154

502589 (2nd, 3rd generation & older units)
Container with Blending Assy.

503173

501832 (2nd, 3rd generation & older units)
Blending Assy.

Catalog**Model #**

MMB142 37BL50 (older units)
 MMB14C 37BL75 (older units)
 MMB144
 MMC142 37BL52 (older units)
 MMD142 38BL46 (older units)
 MMT149 38BL48 (older units)

HGBPBKP4
 (All newer units have same model #)

Waring Factory Service Center
 314 Ella T. Grasso Ave.
 Torrington, CT 06790
 Tele. 1-800-269-6640
 Fax 860-496-9017
 www.waringproducts.com

| Illustration # | Part # | Description |
|-----------------------|----------------------------|---|
| 1 | 011700 | Center Lid |
| 2 | 013442 | Outer Lid / vinyl |
| 3 | 503153 | Blade Assy. |
| 4 | 009724 | Washer / nylon |
| 5 | 003537 | Washer / stainless steel 2 Req.'d |
| 6 | 003509 | Washer / neoprene-rubber 2 Req.'d |
| 7 | 009780 | Hex Nut |
| 8 | 003507 | Washer / stainless steel |
| 9 | 014014 | Coupling / wagon wheel |
| 10 | 019560-E | Container / 48 oz. Eastman copolyester |
| 11 | 018999 | Drive Coupling 2 Req.'d |
| 12 | 026413 003507 | Washer Cap Washer (older units) |
| 13 | 017777 | Cushion Ring |
| 14 | 007558 | Screw 4 Req.'d |
| 15 | 015377-09 | Top Housing / black |
| 16 | 029355 012698 | Toggle Switch Toggle Switch (older units 2nd & 3rd generation) |
| 17 | 014603 | Locking Ring |
| 18 | 014604 | Washer / lint |
| 19 | 016236 | Hex Nut |
| 20 | 019937 | Housing Seal |
| 21 | 029321 | Motor |
| 22 | 501232 | Lead |
| 23 | 009051 | Wire Nut 2 Req.'d |
| 24 | 012409 | Crimp Connector 1 Req'd (current production) 2 Req.'d / MMC142 |
| 25 | 025662 013365 | Foam Baffle Baffle (older units) |
| 26 | 503195 501658 | Lead / green-yellow Lead / green-yellow (older units, 2nd, 3rd & 4th generation) |
| 27 | 029309 003565 500830 | Cord Set Cord Set (4th & 3rd generation) Cord Set (older units & 2nd generation) |
| 28 | 012920 007556 | Strain Relief Strain Relief (older units, 2nd, 3rd & 4th generation) |

Catalog

Model #

| | |
|--------|----------------------|
| MMB142 | 37BL50 (older units) |
| MMB14C | 37BL75 (older units) |
| MMB144 | |
| MMC142 | 37BL52 (older units) |
| MMD142 | 38BL46 (older units) |
| MMT149 | 38BL48 (older units) |

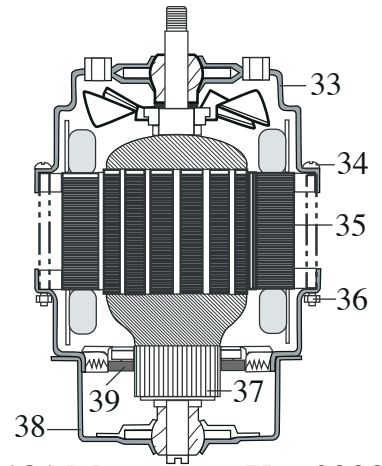
HGBPBKP4

(All newer units have same model #)

Waring Factory Service Center
 314 Ella T. Grasso Ave.
 Torrington, CT 06790
 Tele. 1-800-269-6640
 Fax 860-496-9017
 www.waringproducts.com

Illustration # Part # Description

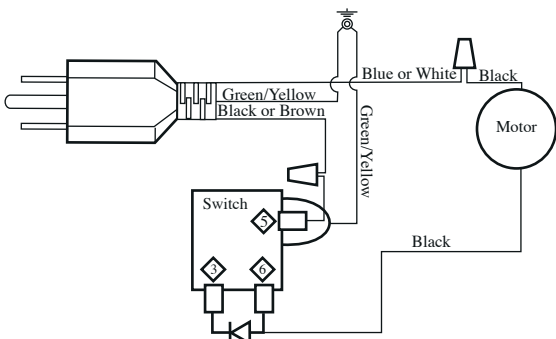
| | | |
|----|--------------------|---|
| 29 | 008324 | Gasket |
| 30 | 028591-x 014012 | Bottom Housing / plastic Bottom Housing / metal (older units, 2nd, 3rd & 4th generation) |
| 31 | 017239 | Screw 4 Req.'d |
| 32 | 004090 | Foot 4 Req.'d |
| 33 | 003553 | Top End Bell |
| 34 | 007557 | Screw 2 Req.'d |
| 35 | 500584 500714 | Field for ALL Except MMC142 Field for MMC142 |
| 36 | 012369 | Nut 2 Req.'d |
| 37 | 500828 | Armature |
| 38 | 013368 | Bottom End Bell |
| 39 | 003555 | Brush and Spring 2 Req.'d |



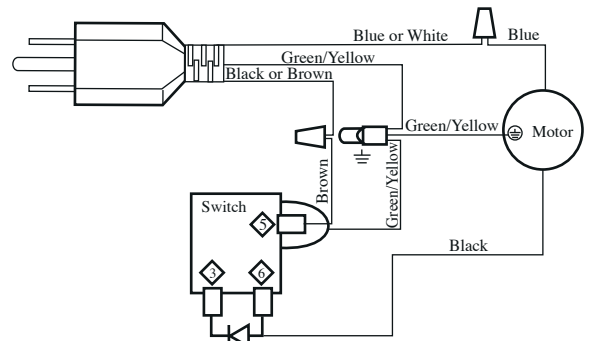
Items Not Shown

- 500455 - Lead with Diode-003262 (older units)
- 013963 - Bottom Housing Screen (3rd & 4th generation)
- 026061 - Name Plate for MMB142, MMB142-3, MMB14C, MMB14CRD, MMC142 (current production 4th & 3rd generation)
- 018274 - Name Plate for MMB142, MMC142 (older units)
- 026040 - Name Plate for MMB144
- 023273 - Name Plate for MMBCC
- 019142 - Name Plate for MMD14C
- 019178 - Name Plate for MMT149

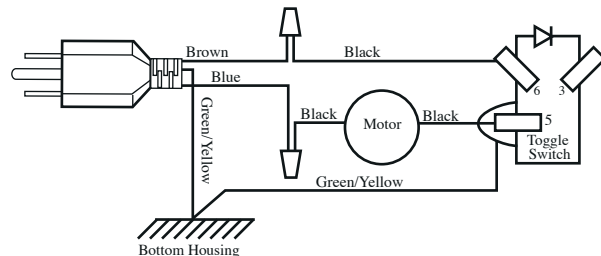
701191 Motor *Obsolete* **Use 029321**
 Limited Availability of Parts



Wiring Diagram (4th, 3rd & 2nd generations)



Wiring Diagram (current production)



Wiring Diagram (older units)