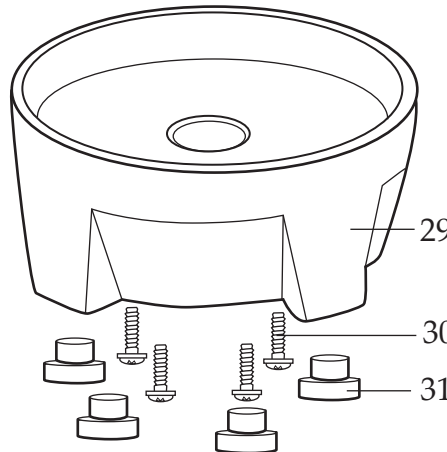
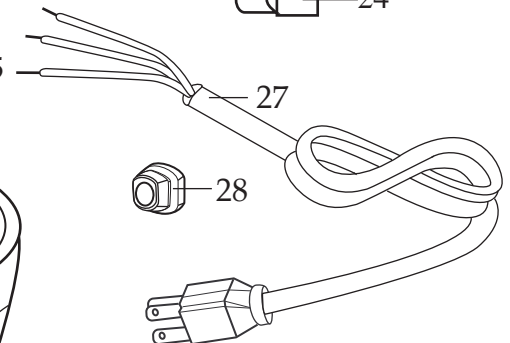
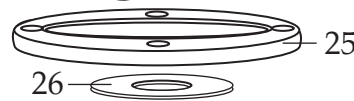
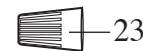
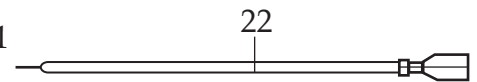
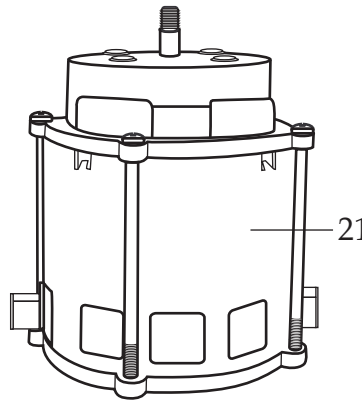
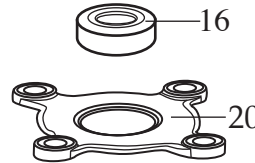
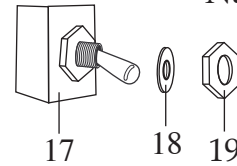
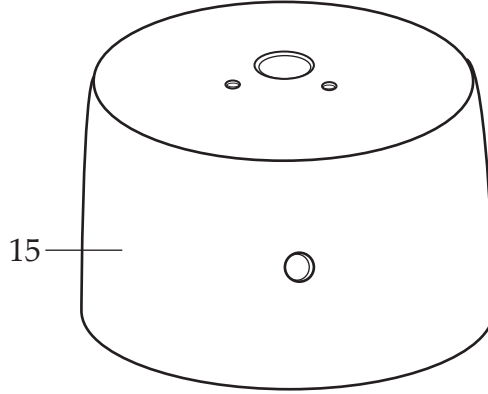
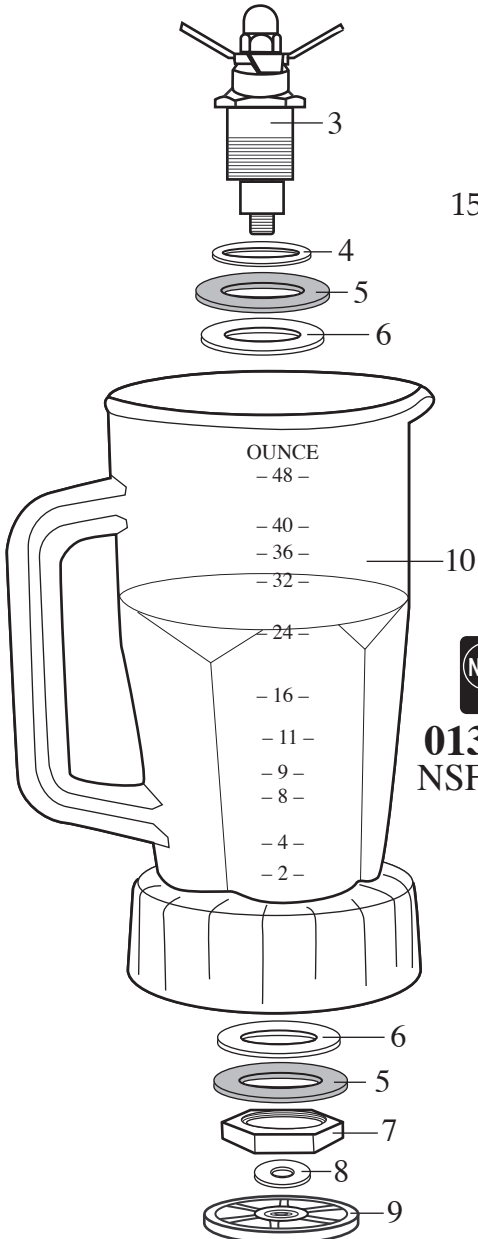


# WARING COMMERCIAL® HPB305 /brushed stainless

Unit Information
7.5 Amps.
27,000+ RPM's
1 HP
Brushed Stainless Steel Outer Body
48 oz. Polycarbonate Jar



**026446**  
Name Plate

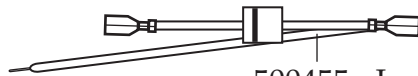


**503154** (current & 3rd generation)  
**502589** (2nd generation & older units)  
Container with Blending Assy.

**503173** (current & 3rd generation)  
**501832** (2nd generation & older units)  
Blending Assy.

Illustration #	Part #	Description
1	011700	Center Lid
2	013442	Outer Lid / vinyl
3	503153	Blade Assy.
4	009724	Washer / nylon
5	003537	Washer / stainless steel 2 Req.'d
6	003509	Washer / neoprene (rubber) 2 Req.'d
7	009780	Hex Nut
8	003507	Washer / stainless steel
9	014014	Drive Coupling (wagon wheel)
10	019560	Jar / 48 oz. lexan
11	018999	Coupling 2 Req.'d (1 on unit 1 extra)
12	026413	Washer Cap
13	007559	Screw 4 Req.'d
14	026538	Jar Support
15	026220	Top Housing /brushed stainless
16	019935	Housing Seal
17	029355	Switch /toggle
	012698	Switch /toggle (2nd generation & older units)
18	014604	Lock Washer
19	016236	Hex Nut 1 Req.'d - 2 Req.'d for (2nd generation & older units)
20	025664	Motor Spacer Plate
	008392	Spacer 4 Req.'d (older units)
21	029320	Motor
	025723	Motor (3rd, 2nd generations & older units)
22	501232	Lead
23	009051	Wire Nut 2 Req.'d
24	012409	Crimp Connector (current production)
25	025662	Baffle
26	008324	Gasket
27	029309	Cord Set
	003565	Cord Set (3rd, 2nd generations & older units)

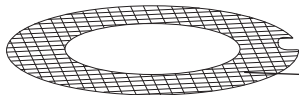
Illustration #	Part #	Description
28	012920	Strain Relief
	007556	Strain Relief (3rd, 2nd generations & older units)
29	028591-X	Bottom Housing
	014012	Bottom Housing (3rd, 2nd generations & older units)
30	017239	Screw 4 Req.'d
31	004090	Foot 4 Req.'d



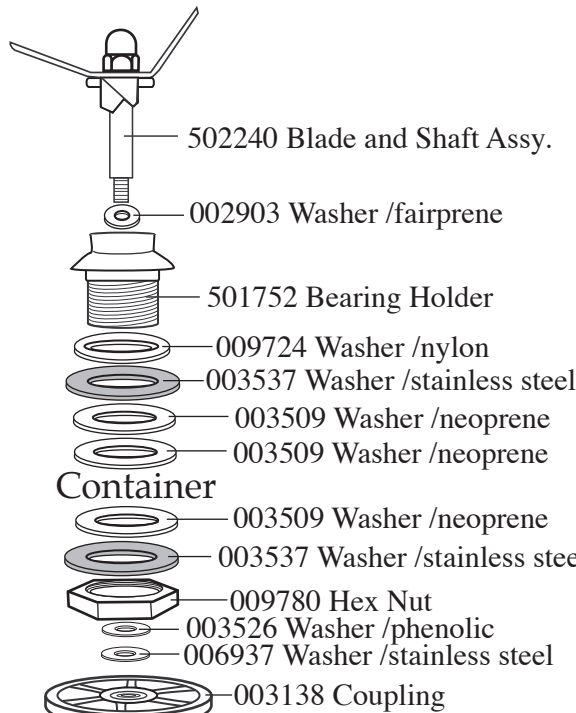
500455 - Lead Assy. /black with diode - 003262 (older units)

002436 - Screw / ground (3rd, 2nd generation & older units)

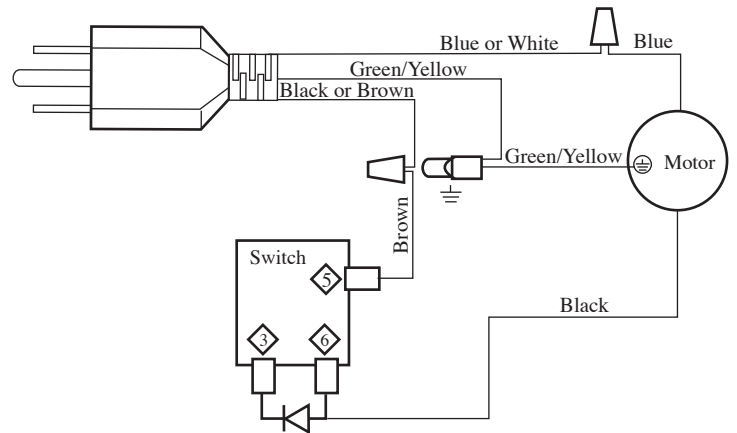
002943 - Washer / ground (3rd, 2nd generation & older units)



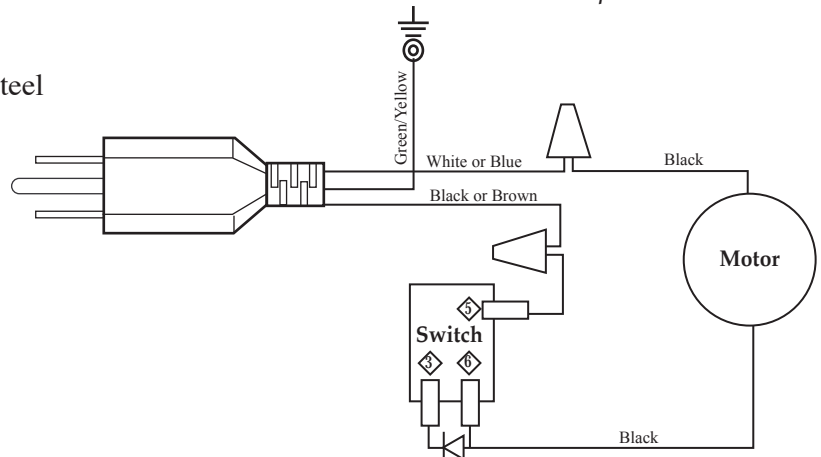
013963 - Bottom Housing Screen (3rd, 2nd generation & older units)



**501832**  
Blending Assy.



**Wiring Diagram**  
(current production)



**Wiring Diagram**  
(3rd, 2nd generations & older units)