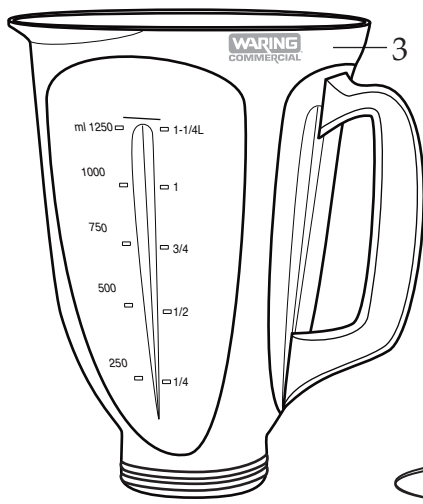
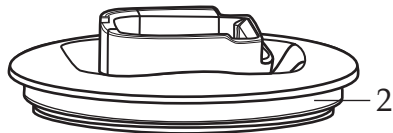
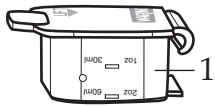
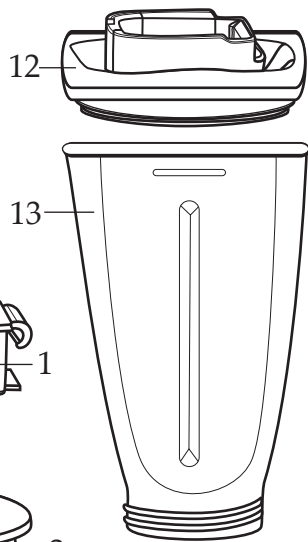
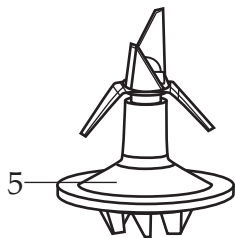
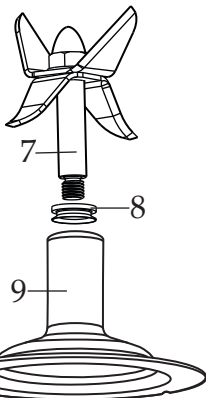


JAR PAD MUST BE IN PLACE
BEFORE THIS BLENDER IS USED

026373
Jar Pad Label



013304
NSF Seal



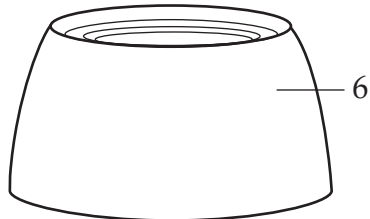
503408 (changed after 2/14/2013)
Blending Assembly

503377 (changed after 1/18/2011 use 503408)

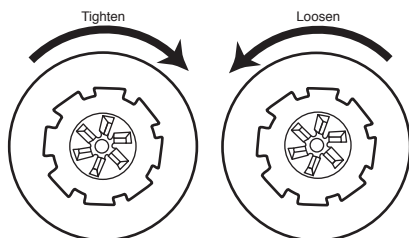
503360 (changed after 5/17/2010 use 503377)

027703 (changed after 1/18/2005 use 503360)

026283 (use 027703)



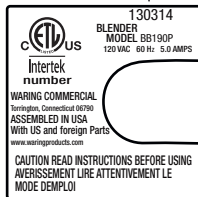
032261
Brush & Spring
(2 required)



Jar Upside Down with Jar Bottom Facing You

Graphic By: Sandra A. Montysko

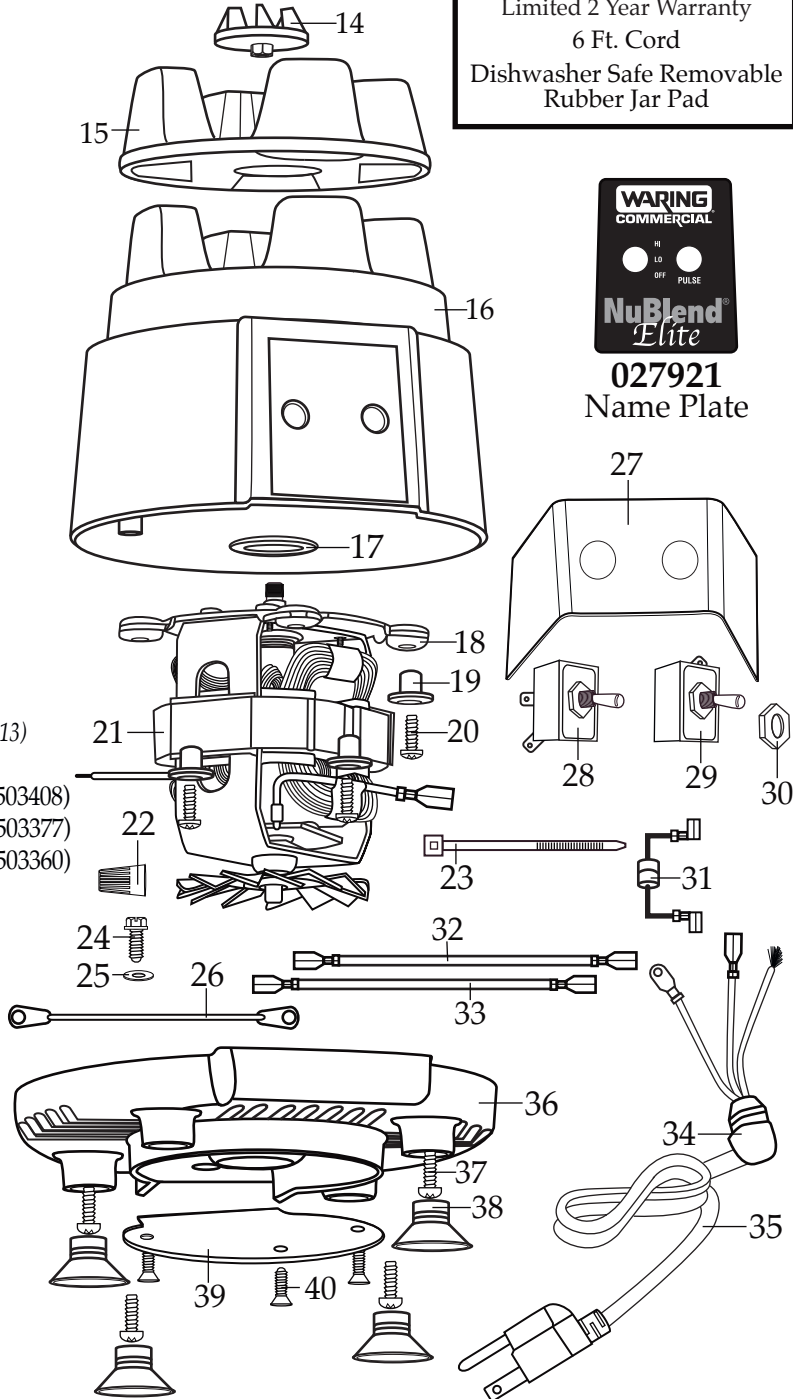
Unit Date Code



SAMPLE Data Decal

NOTE:
3 Part Changes
Starting With **Unit Date Code 130314**
That Can **NOT** be
Interchanged With Previous
Unit Date Codes

Blade Assembly - Coupling - Motor



WARING
COMMERCIAL
NuBlend™ Elite Blenders

BB190

44 oz. Eastman container

BB190S

32 oz. stainless steel container

Unit Information

5 Amps. - 3/4 HP
Limited 2 Year Warranty
6 Ft. Cord
Dishwasher Safe Removable
Rubber Jar Pad



027921
Name Plate

Catalog**Model**

BB190 BB190P BB190 (TYPE 25)
 BB190S BB190S BB190 (TYPE 25)

(on units after 5/12/2010)



Illustration #	Part #	Description
1	026282-E	Cover Lid <i>(changed after 9/20/2010)</i>
2	026281-V	Vinyl Jar Lid <i>(changed after 9/20/2010)</i>
3	026280-E	44 oz. Eastman Container <i>(changed after 9/20/2010)</i>
4	026284	Jar Seal
5	503408 503377	Blending Assembly <i>(on units after 3/14/2013)</i> Blending Assembly
6	026285 026786	Jar Bottom Jar Bottom (Obsolete)
7	503407 503378	Blade Assembly <i>(on units after 2/14/2013)</i> Blade & Shaft Assembly
8	027716	V Seal
9	503358	Bearing Holder
10	030426	Nylon Washer
11	032453 027097	Coupling <i>(on units after 2/14/2013)</i> Coupling
12	026852-V	Vinyl Jar Cover <i>(changed after 5/17/2010)</i>
13	026851	32 oz. Stainless Steel Container
14	032453 027097	Coupling <i>(on units after 2/14/2013)</i> Coupling
15	028184 026785	Jar Pad <i>(on units after 10/18/2005)</i> Jar Pad
16	028098	Top Housing <i>(changed after 10/18/2005)</i>
17	026269	Upper Motor Mount
18	026841	Rubber Bushing (4 required)
19	026690	Eyelet (4 required)
20	028061	Screw (4 required <i>changed after 7/4/2013</i>)
21	033329	ECM Motor <i>(changed after 6/4/2013)</i>
22	009051	Wire Nut
23	013731	Cable Tie
24	027278 013270 002456 013270 002456	Ground Screw (2 required <i>on units after 11/19/2008</i>) Ground Screw (1 required <i>on units after 1/16/2007</i>) Ground Screw (1 required <i>on units after 1/16/2007</i>) Ground Screw (1 required) Ground Screw (1 required)
25	002943	Lock Washer (3 required)
26	502890	Ground Green-Yellow Lead Assembly

Catalog

Model

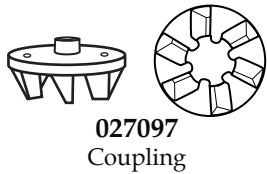
BB190	BB190P	BB190 (TYPE 25)
BB190S	BB190S	BB190 (TYPE 25)

(on units after 5/12/2010)

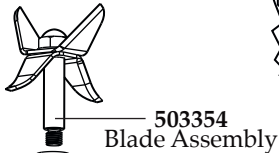
Waring Factory Service Center
 314 Ella T. Grasso Ave.
 Torrington, CT 06790
 Tele. 1-800-269-6640

COMMERCIAL
 Fax 860-496-9017
 www.waringcommercialproducts.com

Illustration #	Part #	Description
27	026891	Insulator Sheet
28	029355	Hi-Low-Off Switch <i>(changed after 8/13/2009)</i>
29	026982	Momentary On Switch
30	016236 015098	Hex Nut (2 required <i>on units after 2/8/2010</i>) Ring Nut (2 required)
31	502834	Diode Assembly (003262-diode)
32	502832	Brown Lead Assembly
33	502833	Black Lead Assembly
34	013680	Strain Relief
35	502828	Cord Set
36	028099	Bottom Housing
37	026892	Screw (4 required)
38	026278	Suction Cup Foot (4 required)
39	027056	Deflector Plate
40	019096	Screw (3 required <i>changed after 6/4/2013</i>)



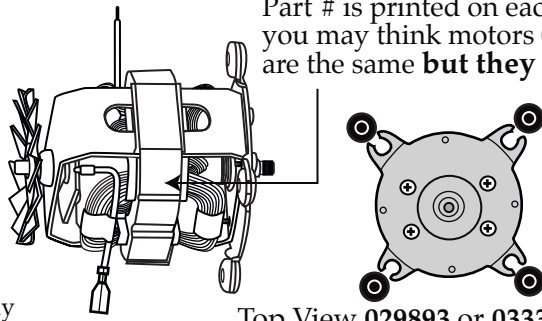
027097
Coupling



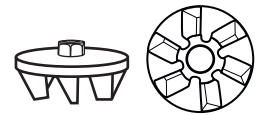
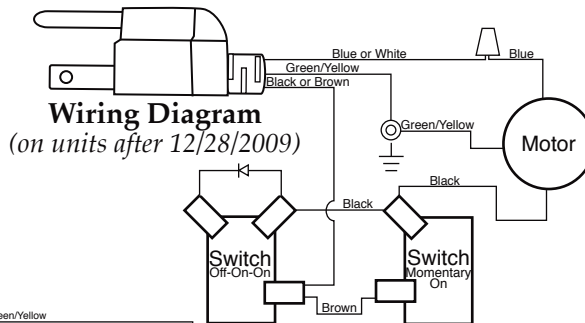
503354
Blade Assembly



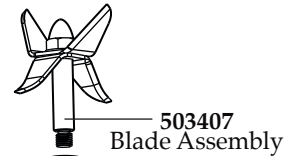
027097
Coupling
503377
Blending Assembly



Top View 029893 or 033329 Motor



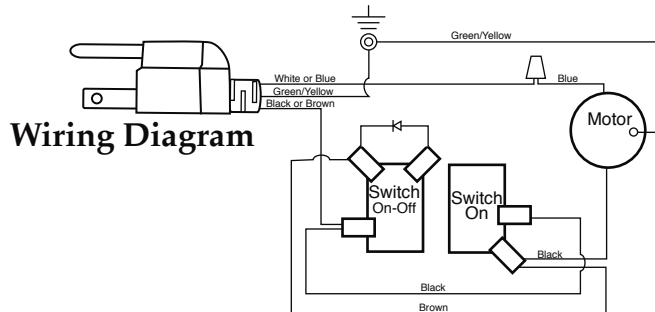
032453
Coupling



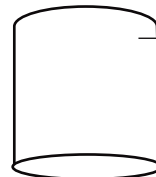
503407
Blade Assembly



032453
Coupling
503408
Blending Assembly



Parts No Longer Used *(limited availability)*



026669 - Shroud *(on units before 9/15/2010)*