

WARING COMMERCIAL

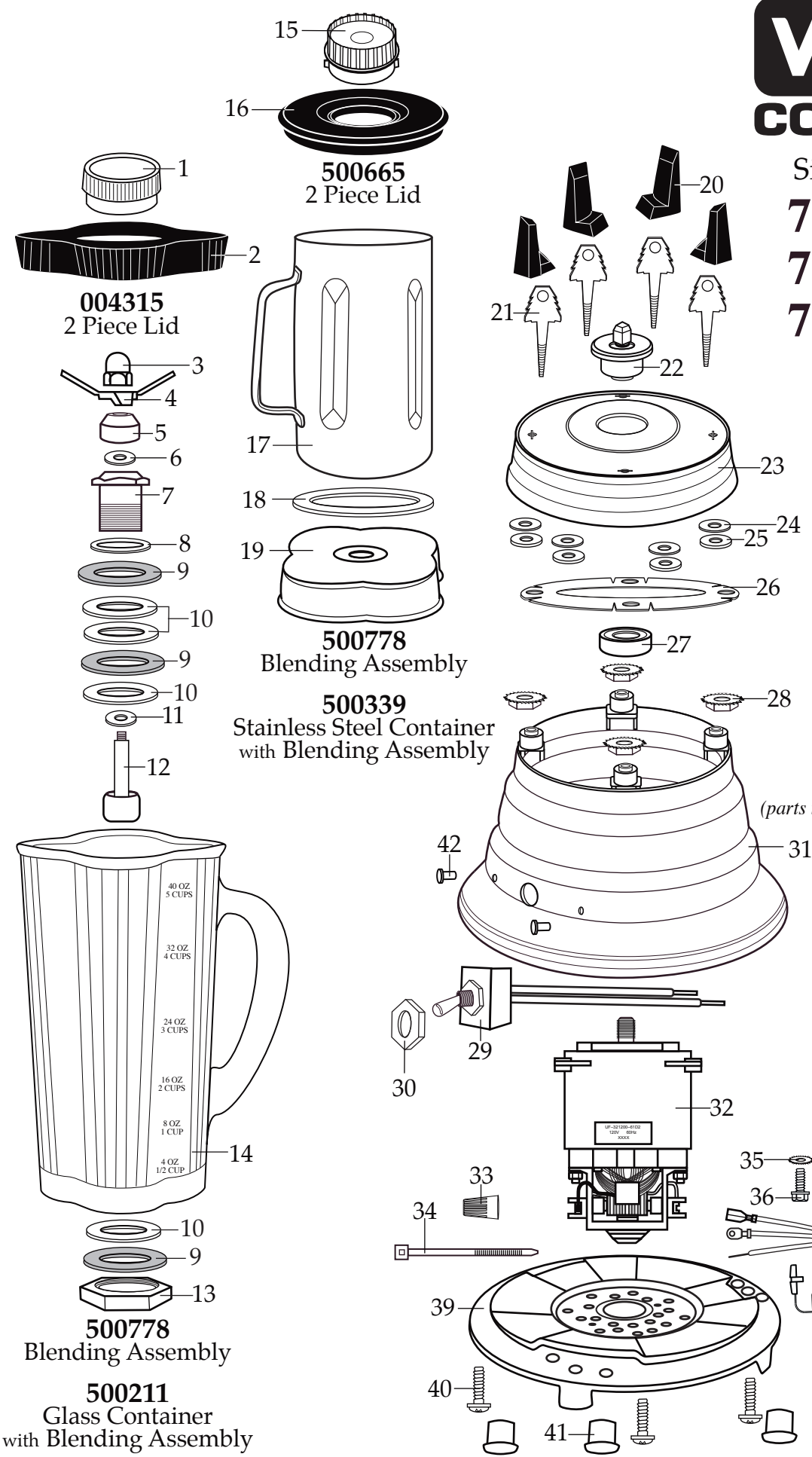
Single Speed Blender

700BU /base unit only

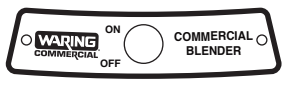
700G /glass container

700S /stainless steel container

Unit Information
120V - 60Hz - 3.0 Amps
1 Year Warranty



- 002644 Square Drive Stud
- 003507 Stainless Steel Washer
- 003514 Slinger
- 002882 Rubber Coupling
- 002518** Drive Coupling
(parts that can be purchased separately)



003564
Name Plate

15
16
500665
2 Piece Lid

1
2
004315
2 Piece Lid

17
18
19
500778
Blending Assembly

500339
Stainless Steel Container
with Blending Assembly

14
10
9
13
500778
Blending Assembly

500211
Glass Container
with Blending Assembly

Catalog

700BU

700G

700S

WF221211

WF2212112

WF2212114

*(on units after 3/30/2010)***Model**

51BL32 (700*) 33BL79

*(on units after 10/10/2000)***Waring Factory Service Center****314 Ella T. Grasso Ave.****Torrington, CT 06790****Tele. 1-800-269-6640****Fax 860-496-9017**
www.waringcommercialproducts.com

Illustration #	Part #	Description
1	003146	Center Lid
2	003574-09	Black Clover Leaf Outer Lid <i>(changed after 2/21/2007)</i>
3	003504	Cap Nut
4	024224	Blade <i>(changed after 11/10/2003)</i>
5	003503	Bearing Cap
6	003508	Fairprene Washer
7	010012	Bearing Holder
8	009724	Nylon Washer
9	003537	Stainless Steel Washer (3 required)
10	003509	Neoprene Washer (4 required)
11	003510	Bakelite Washer
12	003500	Shaft
13	009780	Hex Nut (left handed thread)
14	003573	40 oz. Glass Container
15	011700	Center Lid
16	013443	Round Vinyl Outer Lid
17	012860	32 oz. Stainless Steel Container
18	009762	Base Gasket
19	015055	Container Base Adapter
20	003120	Jar Pad (4 required)
21	007967-B 003015	Untrimmed Jar Pad Stud (4 required <i>on units after 7/6/2015</i>) Jar Pad Stud (4 required)
22	002518	Drive Coupling
23	017289	Plated Top Cover
24	002676	Spacer (4 required)
25	012751	Spacer (4 required)
26	003563	Baffle
27	018595	Housing Seal
28	015165	Nut (4 required)
29	003550	Toggle Switch
30	016236 015098	Hex Nut <i>(on units after 4/16/2010)</i> Nut Ring
31	016111-01 015264	Coated White Base <i>(on units after 2/23/2007)</i> Coated White Base Base

Catalog

700BU
700G
700S

WF221211
WF2212112
WF2212114

(on units after 3/30/2010)

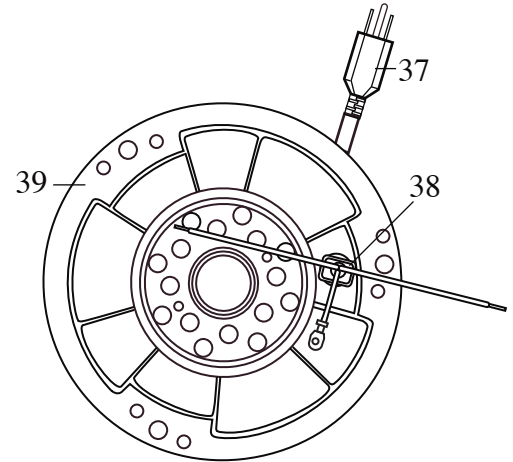
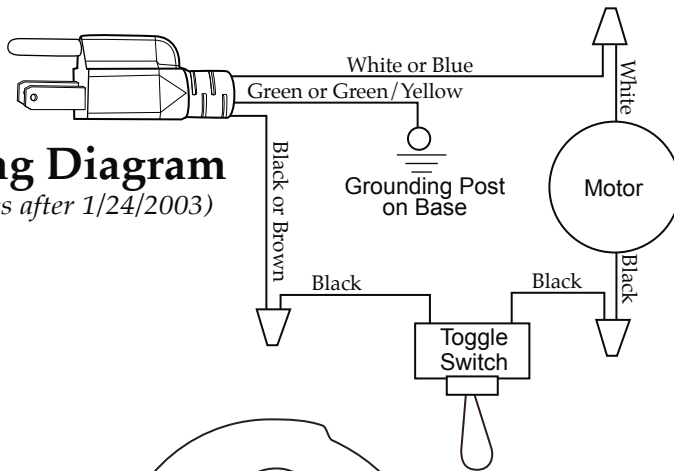
Model

51BL32 (700*) 33BL79
(on units after 10/10/2000)

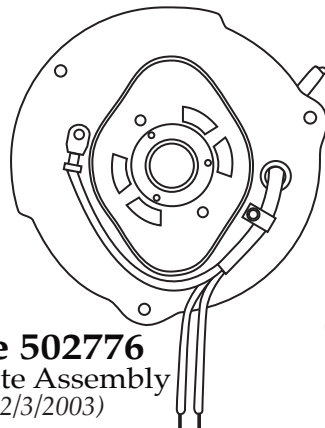
Waring Factory Service Center
314 Ella T. Grasso Ave.
Torrington, CT 06790
Tele. 1-800-269-6640
Fax 860-496-9017
www.waringcommercialproducts.com

Illustration #	Part #	Description
32	030579	Motor (on units after 6/18/2010)
	027655	Motor (on units after 9/8/2004 this motor is a modified 027255)
	024030	Motor (use 027555)
33	009051	Wire Nut (3 required)
34	013731	Cable Tie (2 required)
35	002943	Washer
36	027278	Ground Screw (on units after 1/24/2003)
	013659	Ground Screw
37	003565	Cord Set (on units after 1/24/2003)
	500830	Cord Set
38	016041	Strain Relief (on units after 1/24/2003)
39	026151	Plastic Bottom Plate ONLY (on units after 1/24/2003)
	502776	Plastic Bottom Plate Assembly (with cord & feet)
	500347	Metal Plate Assembly (use 502776)
40	013659	Screw (3 required on units after 1/24/2003)
41	024645	Foot (3 required on units after 1/24/2003)
	002891	Foot (3 required)
	003569	screw (no longer available use 503376)
42	003532	Rivet (2 required)

Wiring Diagram
(on units after 1/24/2003)



502776
Plastic Bottom Plate Assembly
(on units after 1/24/2003)



500347 - use 502776
Metal Bottom Plate Assembly
(on units before 2/3/2003)

Parts No Longer Used

(for metal bottom plates on units before 2/3/2003)



016410 - Clamp Strain Relief