

# **VULCAN**

## *CATALOG OF REPLACEMENT PARTS*

### *GAS CONVECTION OVENS*

*MODELS*

*VC5GD*

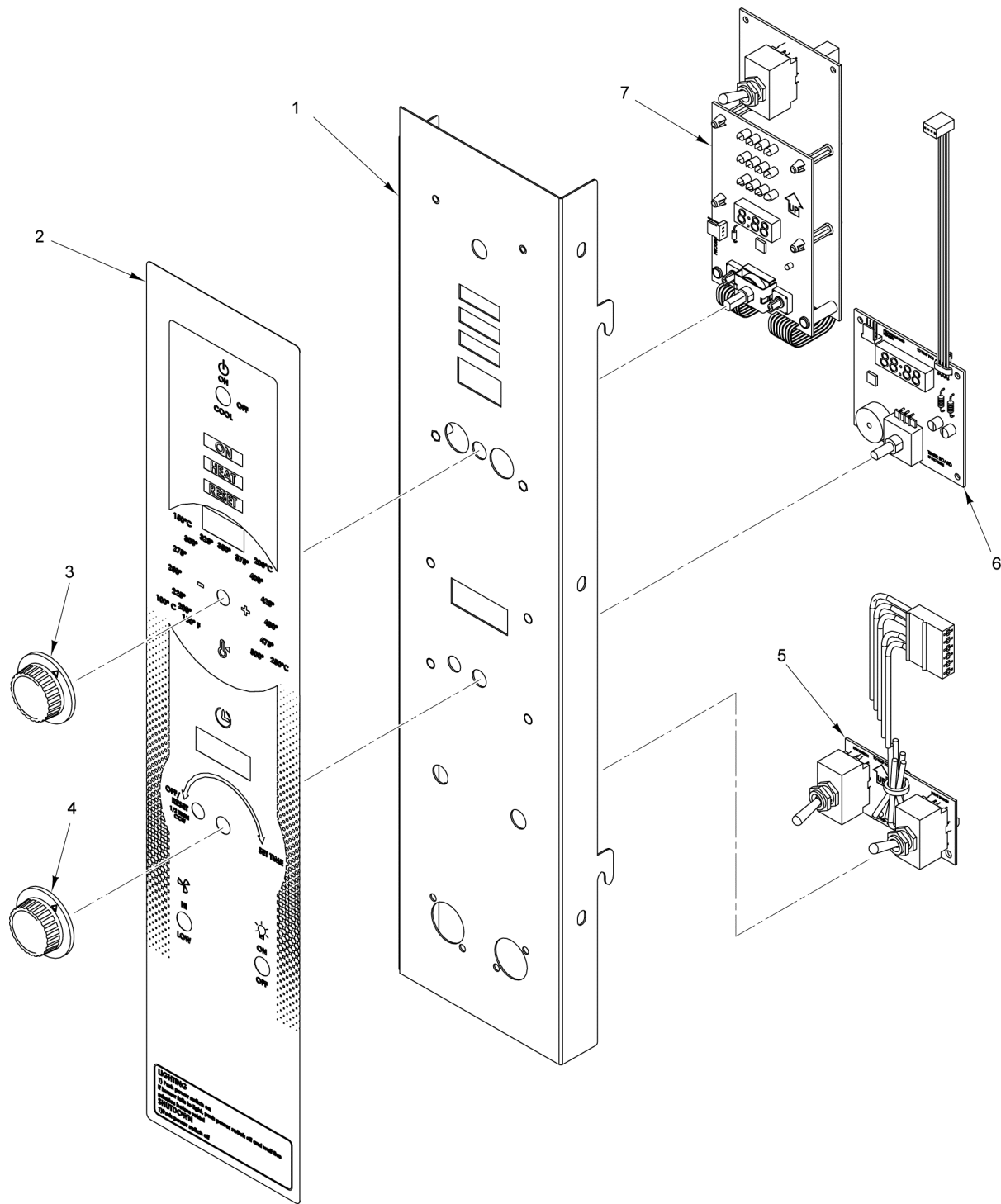


**For additional information on Vulcan-Hart Company or to locate an authorized parts and service provider in your area, visit our website at [www.vulcanequipment.com](http://www.vulcanequipment.com)**



**Table of Contents**

5 CONTROL PANEL  
7 ELECTRICAL COMPONENT PANEL  
9 DOOR ASSEMBLY  
11 PANELS  
13 CONVECTION MOTOR (BEFORE 3/19/18)  
15 CONVECTION MOTOR (STARTING 3/19/18)  
17 GAS BURNER



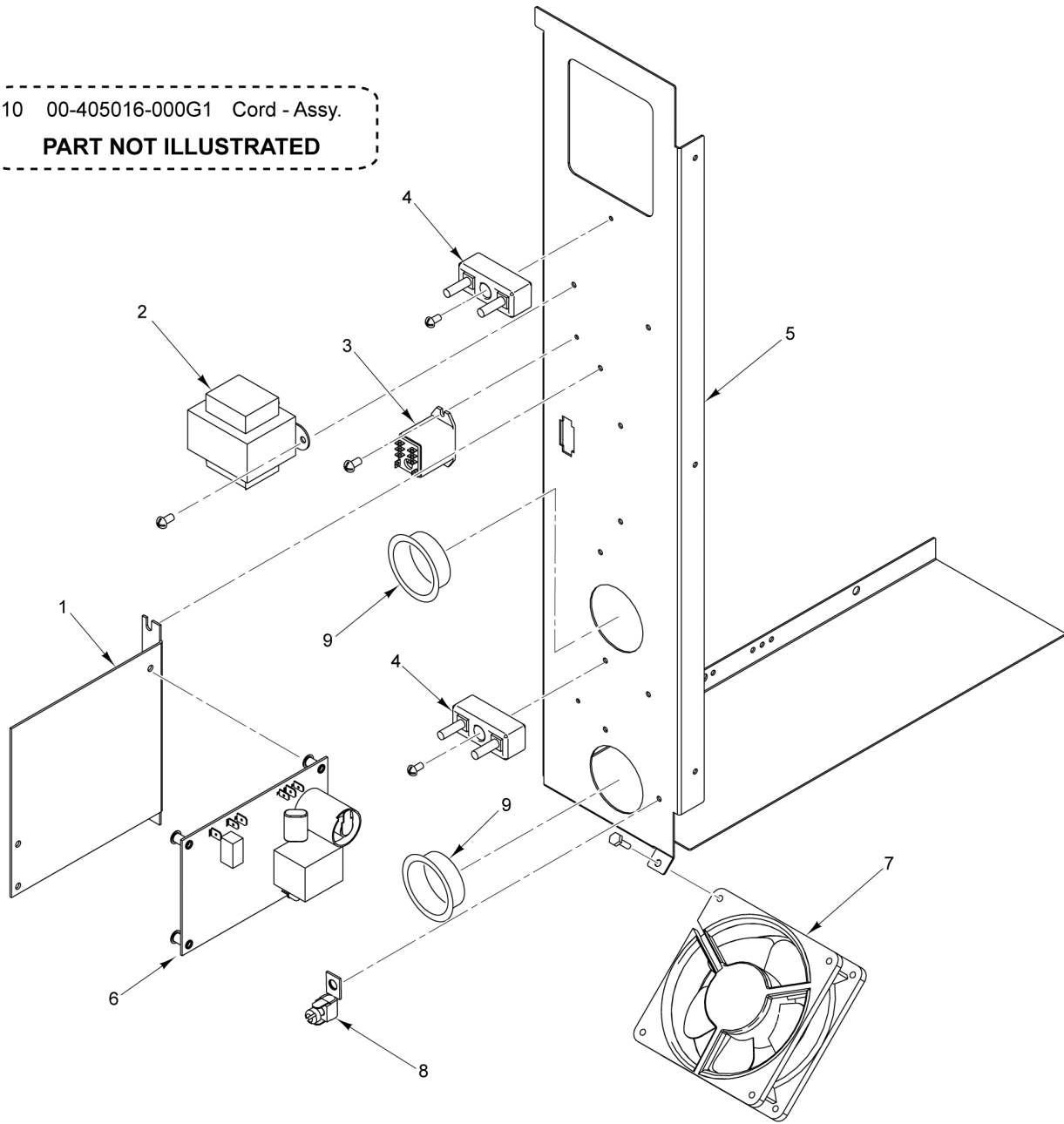
PL-60886

**CONTROL PANEL**

**CONTROL PANEL**

ILLUS.	PART NO.	NAME OF PART	AMT.
PL-60886			
1	00-960318-000G1	Panel.....	1
2	00-960319-00001	Overlay.....	1
3	00-960329-00001	Knob.....	1
4	00-960329-00002	Knob.....	1
5	00-960302-00001	Switch Board (Fan Speed & Light).....	1
6	00-960301-00001	Timer Board.....	1
7	00-960314-00001	Control Board Assy. (Temperature & Main Power Switch).....	1

10 00-405016-000G1 Cord - Assy.  
**PART NOT ILLUSTRATED**

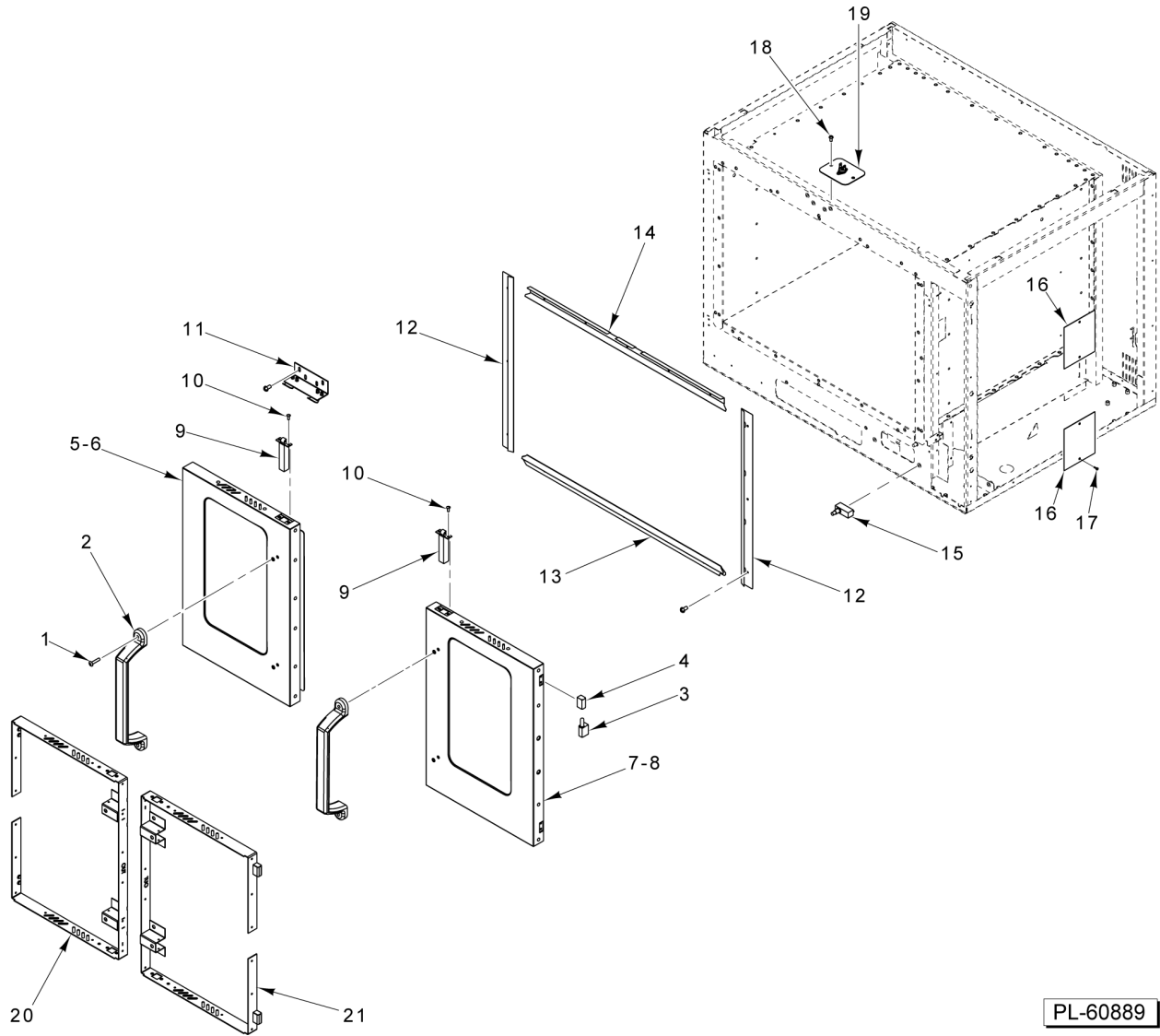


PL-60887

**ELECTRICAL COMPONENT PANEL**

**ELECTRICAL COMPONENT PANEL**

<b>ILLUS.</b>	<b>PART NO.</b>	<b>NAME OF PART</b>	<b>AMT.</b>
PL-60887			
1	00-423760-00001	Bracket - Ignition Module.....	1
2	00-421758-000G1	Transformer (120 V.) (24 V. Output).....	1
3	00-416535-00006	Relay - Heating (120 V.).....	1
4	00-417934-000G1	Block Assy. - Porcelain.....	2
5	00-959693-00001	Panel - Component.....	1
6	00-913102-00292	Control - Spark Ignition Kit Includes 18-22 connector 1/4" insulated.....	1
7	00-424940-00001	Fan - Cooling (120 V.).....	1
8	00-417856-00001	Lug - Grounding (With Set Screw).....	1
9	FE-024-23	Bushing - Electrical (Snap).....	2
10	00-405016-000G1	Cord Assy.....	1



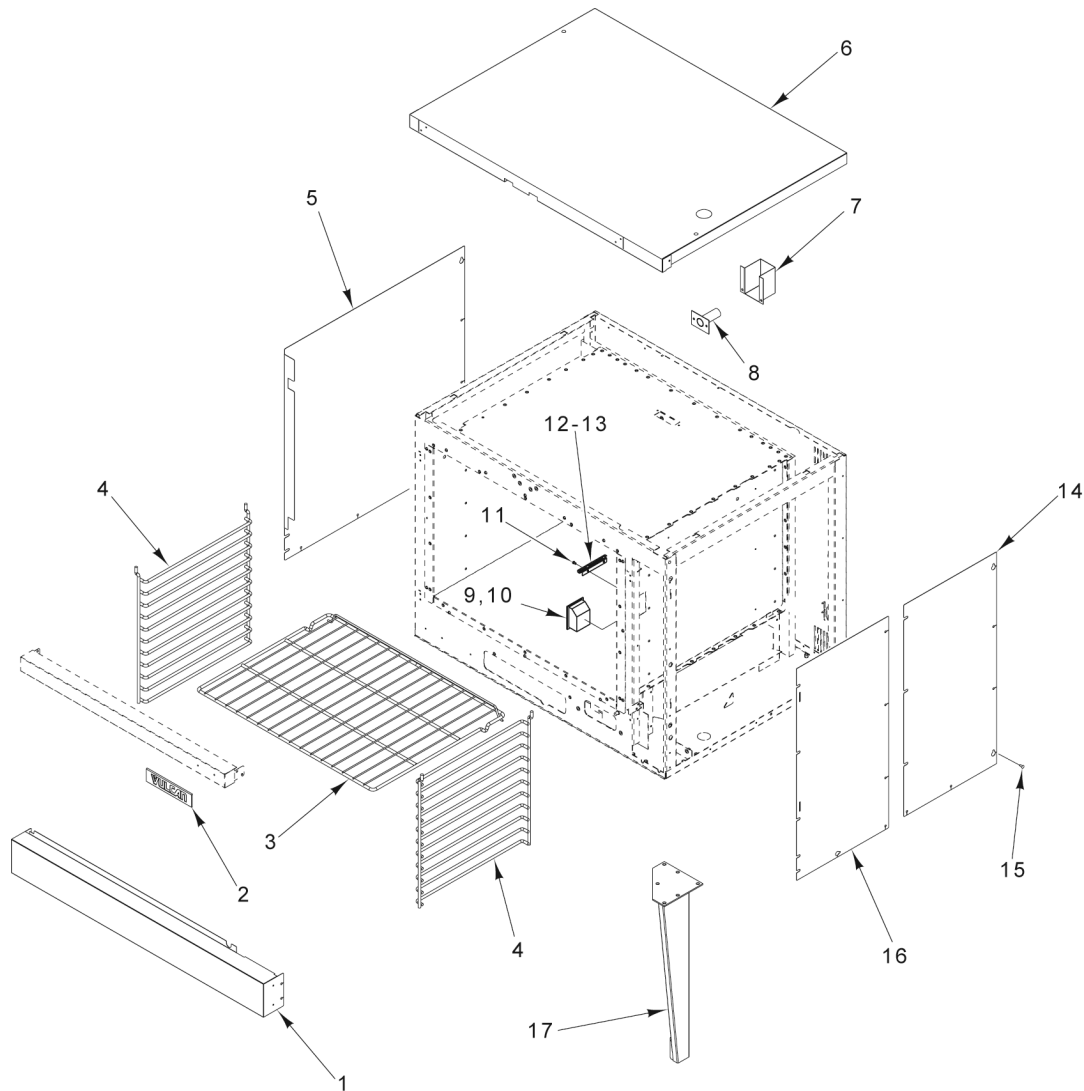
PL-60889

**DOOR ASSEMBLY**



## DOOR ASSEMBLY

ILLUS.	PART NO.	NAME OF PART	AMT.
PL-60889			
1	00-959087-00001	Screw 1/4-20 x 1-1/4 Black Hd.....	4
2	00-957108-00001	Handle - Molded (Black).....	2
3	00-959783-00001	Hinge - Male.....	4
4	00-959784-00001	Hinge - Female.....	4
5	00-962188-000G1	Panel - Door w/ Glass (Inner) (LH).....	1
6	00-962189-000G1	Panel - Door w/ Glass (Outer) (LH).....	1
7	00-962190-000G1	Panel - Door w/ Glass (Inner) (RH).....	1
8	00-962191-000G1	Panel - Door w/ Glass (Outer) (RH).....	1
9	00-497586-00001	Latch - Door Roller.....	2
10	SC-115-51	Mach. Screw 10-32 x 1/2 Phil. Truss Hd.....	4
11	00-960118-000G1	Bracket - Door Catch.....	1
12	00-959771-00001	Seal - Door (Side).....	2
13	00-959772-00001	Seal - Door (Bottom).....	1
14	00-959770-00001	Seal - Door (Top).....	1
15	00-960053-00001	Switch - Door.....	1
16	00-959769-00001	Cover - Hinge Access.....	2
17	SD-032-07	Self-Tapping Screw 10-24 x 1/2 Hex Washer Hd., Type TT.....	4
18	SD-039-78	Self-Tapping Screw.....	2
19	00-497585-00001	Plate - Strike.....	AR
20	00-962524-000G1	Frame - Door W/ Hinge (LH).....	1
21	00-962524-000G2	Frame - Door W/ Hinge (RH).....	1



18	00-417063-00001	Strap	23	00-343634-00001	Caster
19	00-357047-00001	Caster - Swivel	24	00-343634-00002	Caster
20	00-357047-00002	Caster - Swivel	25	00-342150-00008	Leg
21	00-357093-00001	Ring - Locking	26	00-959663-00001	Tube - Snorkel
22	00-288946-00002	Foot			

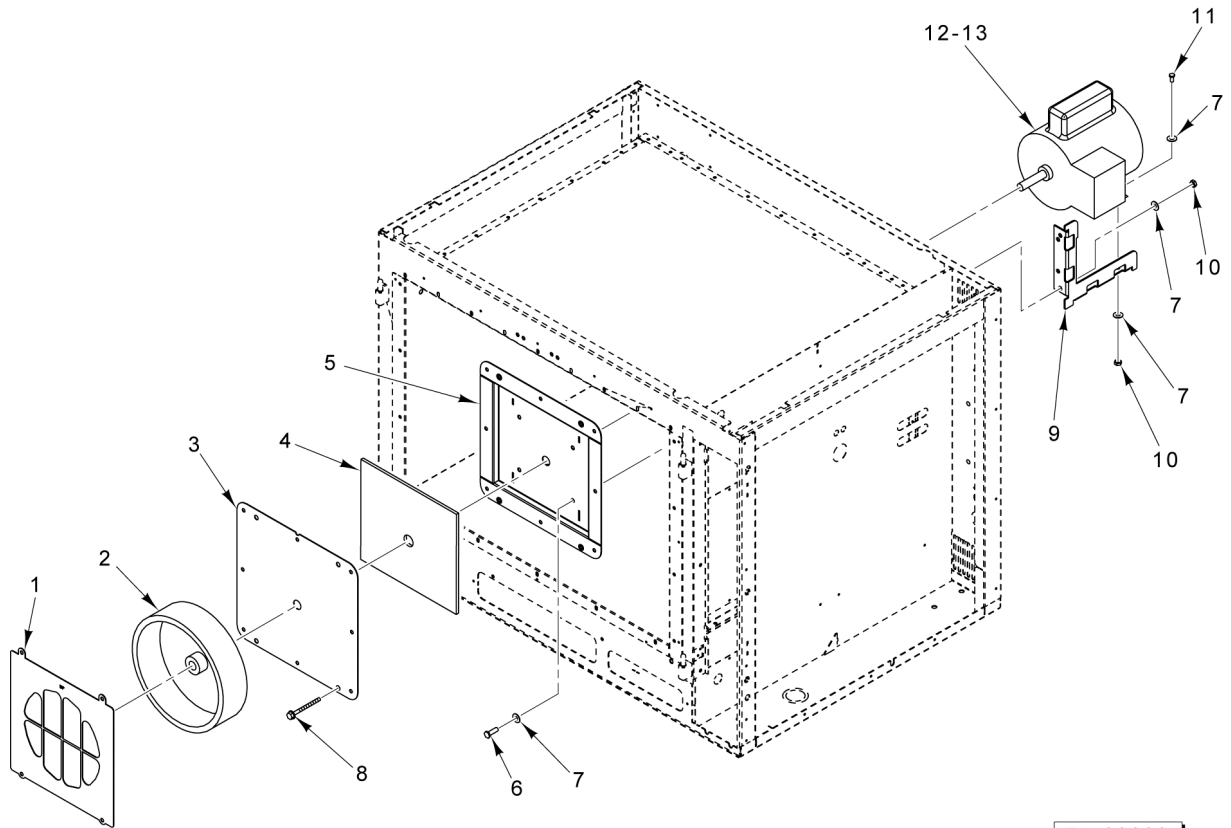
**PARTS NOT ILLUSTRATED**

PL-60890

### PANELS

## PANELS

ILLUS. PL-60890	PART NO.	NAME OF PART	AMT.
1	00-959922-00001	Trim - Cosmetic Bottom.....	1
2	00-957916-00001	Nameplate - Vulcan (7-1/4 In.).....	1
3	00-959523-00001	Rack Assy.....	5
4	00-959708-00001	Rack Guide Assy.....	2
5	00-959688-00001	Panel - Cosmetic Left.....	1
6	00-959689-00001	Cosmetic Top.....	1
7	00-427617-00001	Flue - Deflector.....	1
8	00-354431-00001	Flue Assy.....	1
9	00-960194-00001	Oven Lamp (40W) (120 V.).....	1
10	00-961291-00001	Bulb - Halogen (120V) (40W).....	1
11	SD-039-78	Self-Tapping Screw.....	2
12	00-959753-00001	Probe Guard & Retainer.....	1
13	00-353589-00001	Probe Temperature (SST) Solid State.....	1
14	00-959793-00001	Panel - Cosmetic Right.....	1
15	SD-008-27	Self-Tapping Screw 10-16 x 1/2 Phil. Truss Hd., Type B.....	AR
16	00-959794-00001	Access Panel.....	1
17	00-424157-000G7	Leg Assembly for Caster and Foot (Painted Black).....	4
18	00-417063-00001	Strap - Tie Down.....	AR
19	00-357047-00001	Caster - Swivel (Without Brake).....	AR
20	00-357047-00002	Caster - Swivel (With Brake).....	AR
21	00-357093-00001	Ring - Locking.....	AR
22	00-288946-00002	Foot - Adjustable (1-5/8) (SST).....	AR
23	00-343634-00001	Caster (Swivel With Brake) (7.5 In.).....	AR
24	00-343634-00002	Caster (Rigid) (7.5 In.).....	AR
25	00-342150-00008	Leg (8 In.).....	AR
26	00-959663-00001	Tube - Snorkel.....	1

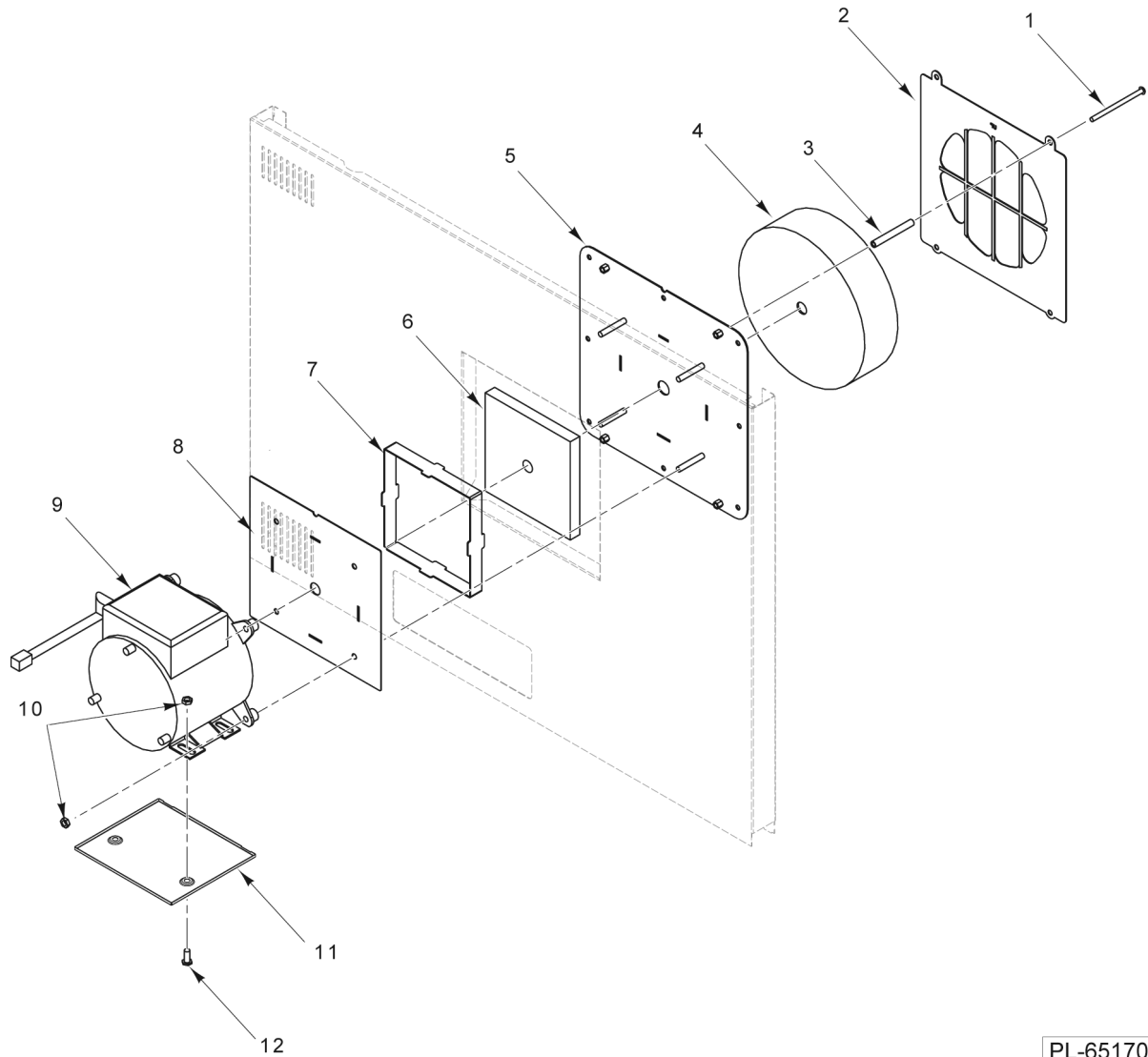


PL-60888

**CONVECTION MOTOR  
(BEFORE 3/19/18)**

**CONVECTION MOTOR  
(BEFORE 3/19/18)**

ILLUS.	PART NO.	NAME OF PART	AMT.
PL-60888			
1	00-960425-00001	Cover - Fan.....	1
2	00-415780-00003	Wheel - Blower (60 Hz.).....	1
3	00-959698-00001	Cover - Motor.....	1
4	00-959955-00001	Insulation.....	1
5	00-959695-00001	Mount - Motor.....	1
6	SC-113-65	Cap Screw 5/16-18 x 1-1/4 Hex Hd.....	4
7	WS-029-46	Washer.....	16
8	SC-132-01	Screw.....	8
9	00-959803-00001	Bracket - Motor Mount.....	2
10	NS-046-86	Nut Assy. 5/16-18 KEPS Hex.....	8
11	SC-113-78	Cap Screw 1/4-20 x 3/4 Hex Hd.....	4
12	00-358516-00001	Motor 1/2 Hp. (2-Speed) (115 V., 50/60 Hz., 1 Ph.).....	1
13	00-342285-00001	Bushing - Plastic.....	1

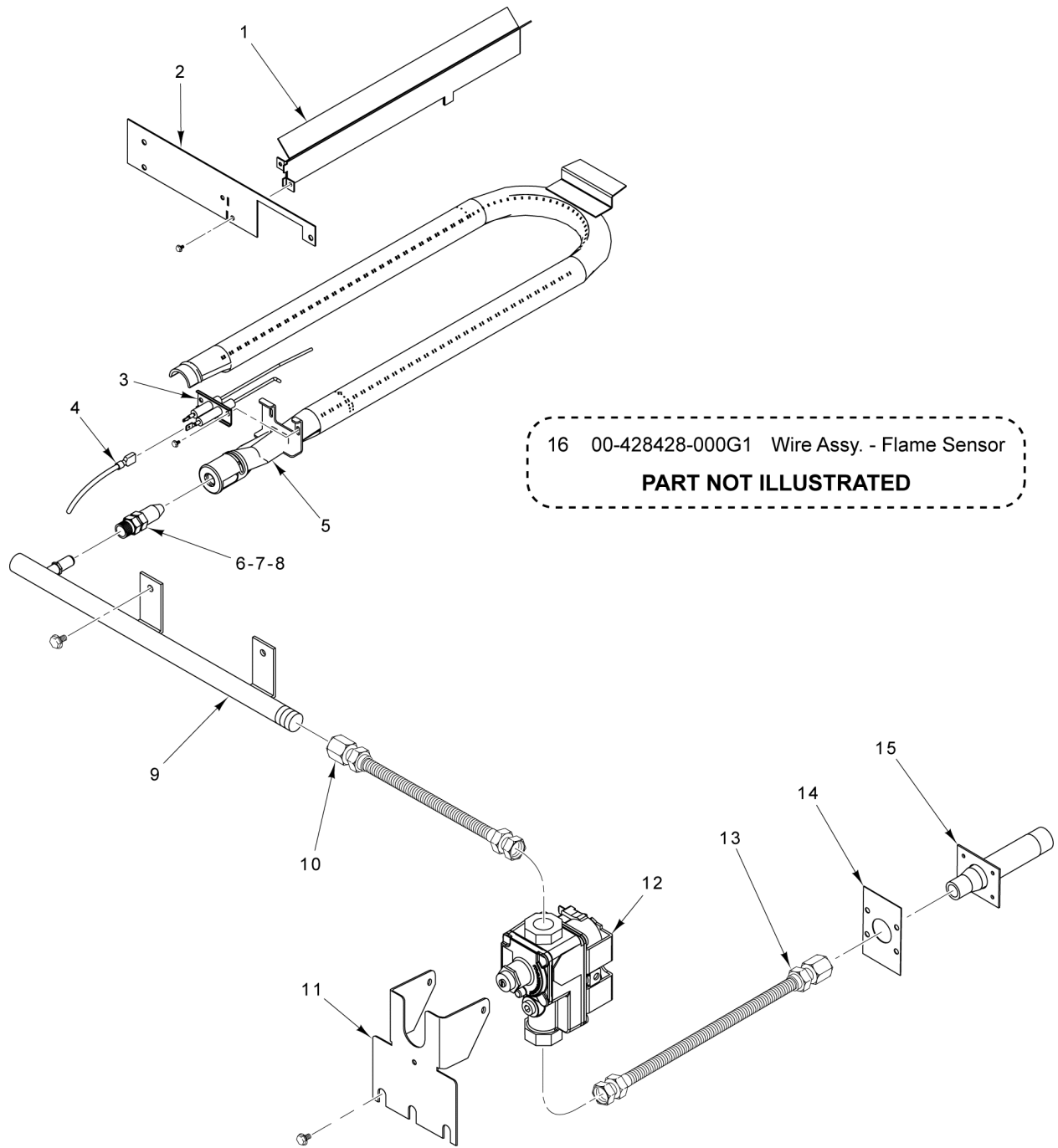


PL-65170

**CONVECTION MOTOR  
(STARTING 3/19/18)**

**CONVECTION MOTOR  
(STARTING 3/19/18)**

ILLUS. PL-65170	PART NO.	NAME OF PART	AMT.
1	SC-120-15	Mach. Screw 1/4-20 x 4 Rd. Hd.....	4
2	00-960425-00001	Cover - Fan.....	1
3	00-411289-00004	Spacer - Fan Housing.....	4
4	00-415780-00003	Wheel - Blower.....	1
5	00-960962-000G1	Mount - Motor, Front.....	1
6	00-342159-00033	Insulation (28 x 33 x 1 In.).....	AR
7	00-960963-00001	Mount - Motor, Wrapper.....	1
8	00-960964-00001	Mount - Motor, Rear.....	1
9	00-961739-000G1	Motor Harness Included with Motor.....	1
	00-962168-000G1	Motor Harness.....	AR
10	NS-046-86	Nut Assy. 5/16-18 KEPS Hex.....	6
11	00-961831-00001	Pan - Drip, Motor.....	1
12	SC-037-75	Cap Screw 5/16-18 x 3/4 Hex Hd.....	2



PL-60891

**GAS BURNER**



**GAS BURNER**

ILLUS.	PART NO.	NAME OF PART	AMT.
PL-60891			
1	00-960978-00001	Combustion Divider.....	1
2	00-959703-00001	Combustion Cover.....	1
3	00-959507-00001	Igniter - Burner.....	1
4	00-423813-00003	Wire - Ignition (High Voltage).....	1
5	00-960213-000G1	Main Burner Assy.....	1
6	00-010901-00031	Orifice - Spud (31 Drill) (NAT).....	1
7	00-010901-00046	Orifice - Spud (46 Drill) (LP).....	1
8	00-417879-00001	Nozzle - Burner.....	1
9	00-424138-00001	Manifold.....	1
10	00-423828-00007	Tube - Flex (18 In.).....	1
11	00-959486-00001	Bracket - Gas Valve.....	1
12	00-959662-00001	Valve - Combination Gas, Convertable (NAT & LP).....	1
13	00-423828-00006	Tube - Flex (30 In.).....	1
14	00-960312-00001	Gas Inlet Escutcheon.....	1
15	00-423819-00003	Pipe - Weldment Gas Inlet.....	1
16	00-428428-000G1	Wire Assy. - Flame Sensor.....	1

